



US00D981893S

(12) **United States Design Patent** (10) **Patent No.:** **US D981,893 S**
You (45) **Date of Patent:** **** Mar. 28, 2023**

(54) **WATCH BAND**
(71) Applicant: **Shenzhen Derun Hetong Technology Co., Ltd., Shenzhen (CN)**
(72) Inventor: **Taifu You, Huaihua (CN)**
(73) Assignee: **Shenzhen Derun Hetong Technology Co., Ltd., Shenzhen (CN)**

(**) Term: **15 Years**
(21) Appl. No.: **29/860,173**
(22) Filed: **Nov. 16, 2022**
(51) **LOC (14) Cl.** **11-01**
(52) **U.S. Cl.**
USPC **D11/3**
(58) **Field of Classification Search**
USPC D11/1-3, 12-13, 15; D10/30-32, 38, 70;
D14/344
CPC A44C 11/00; A44C 11/007; A44C 13/00;
A44C 5/00; A44C 5/0007; A44C 5/0015;
A44C 5/0053; A44C 5/0061; A44C 5/02;
A44C 5/022; A44C 5/025; A44C 5/027;
A44C 5/08
See application file for complete search history.

D934,101 S * 10/2021 Akana D11/13
D939,365 S * 12/2021 Nothacker D10/70
D944,109 S 2/2022 Li
D955,255 S * 6/2022 Cai D11/3
D955,256 S * 6/2022 Cao D11/3
D971,053 S * 11/2022 Yi D11/12
2013/0313294 A1* 11/2013 Bertucci A44C 5/0053
224/164
2021/0298395 A1* 9/2021 Halpern A41D 20/00

OTHER PUBLICATIONS

SUNFWR Nylon Sports Band, Date Available: Oct. 19, 2022, Amazon, Site Visited on Dec. 9, 2022: <https://www.amazon.com/dp/B0BMFFJK4B/> (Year: 2022).*

* cited by examiner

Primary Examiner — Llorelys Martinez
Assistant Examiner — Nicole M. Leech
(74) *Attorney, Agent, or Firm* — ScienBiziP, P.C.

(57) **CLAIM**

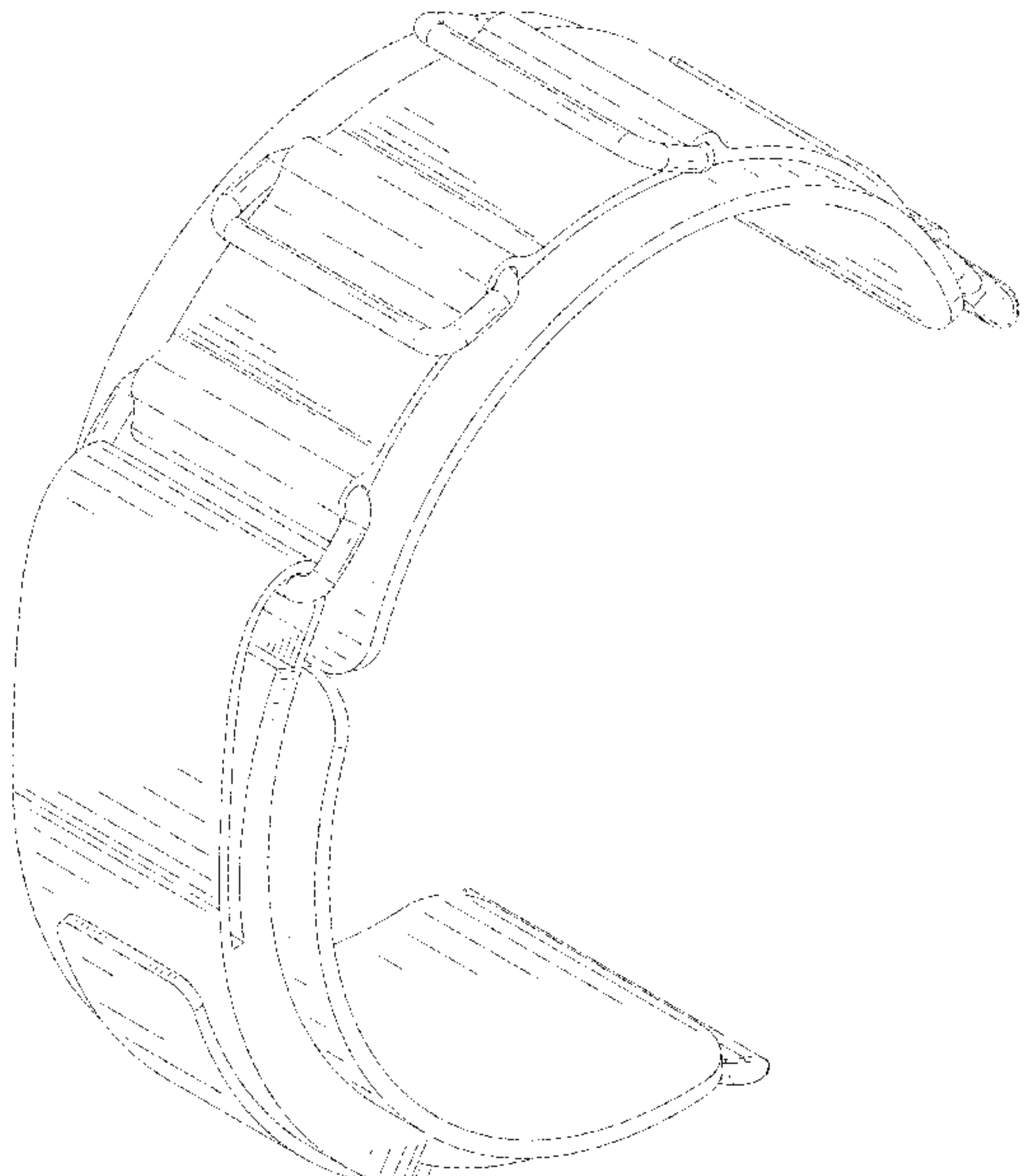
The ornamental design for a watch band, as shown and described.

DESCRIPTION

FIG. 1 is a front, right and top perspective view of a watch band, showing my new design.
FIG. 2 is a rear, left and bottom perspective view thereof.
FIG. 3 is a front elevation view thereof.
FIG. 4 is a rear elevation view thereof.
FIG. 5 is a left side elevation view thereof.
FIG. 6 is a right side elevation view thereof.
FIG. 7 is a top plan view thereof.
FIG. 8 is a bottom plan view thereof; and,
FIG. 9 is another front and right perspective view thereof, showing the watch band of FIG. 1 in an open state.

1 Claim, 9 Drawing Sheets

(56) **References Cited**
U.S. PATENT DOCUMENTS
4,509,214 A * 4/1985 Shea A41F 9/002
2/322
D344,038 S * 2/1994 Phillips D11/5
D383,993 S * 9/1997 Kal D11/3
D390,492 S * 2/1998 Riley D11/5
D800,007 S * 10/2017 Tibi D11/3
D815,089 S 4/2018 Grening et al.
D897,882 S * 10/2020 Yi D14/440
D905,584 S 12/2020 Register et al.
D928,012 S * 8/2021 Lee D11/3



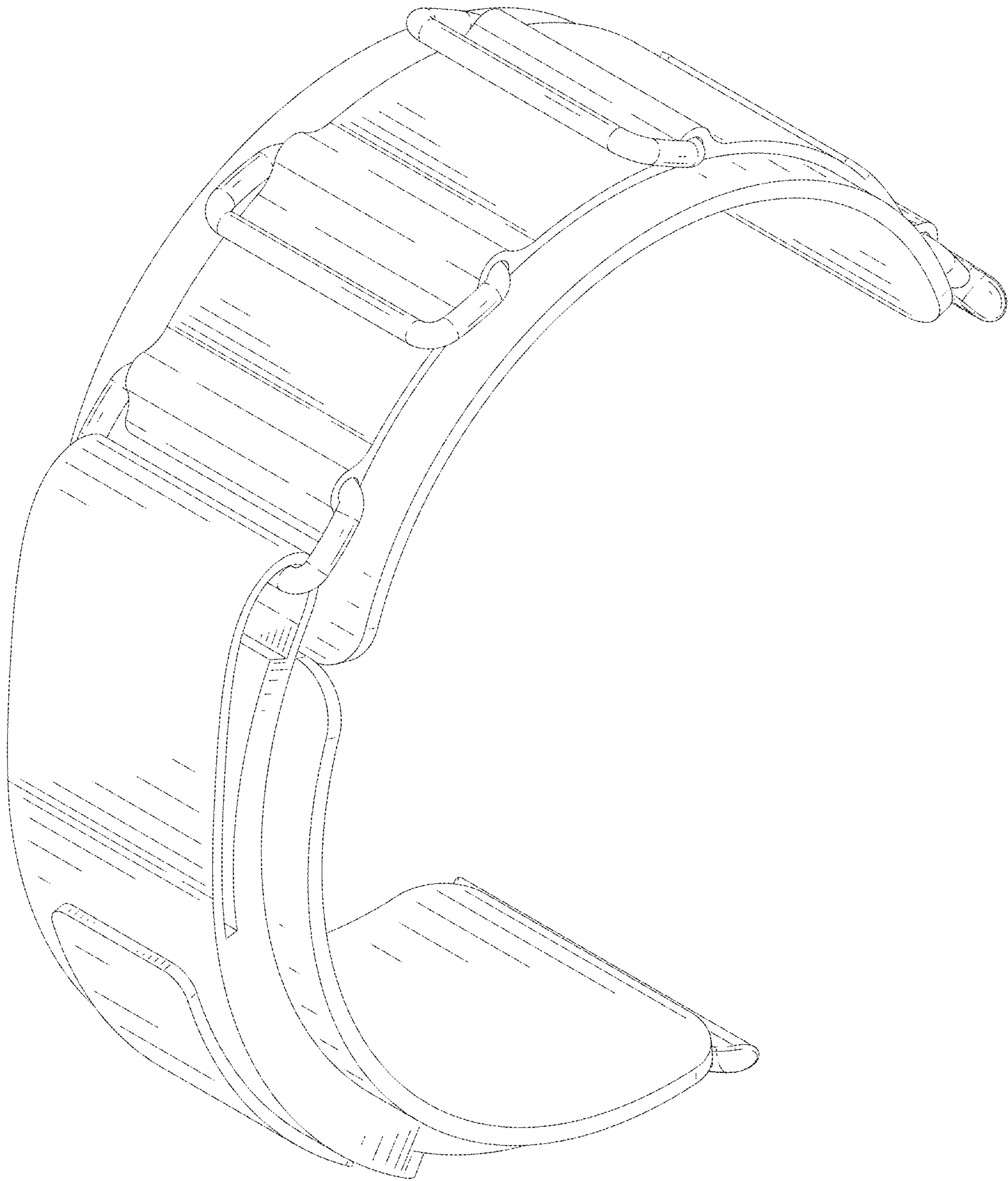


FIG. 1

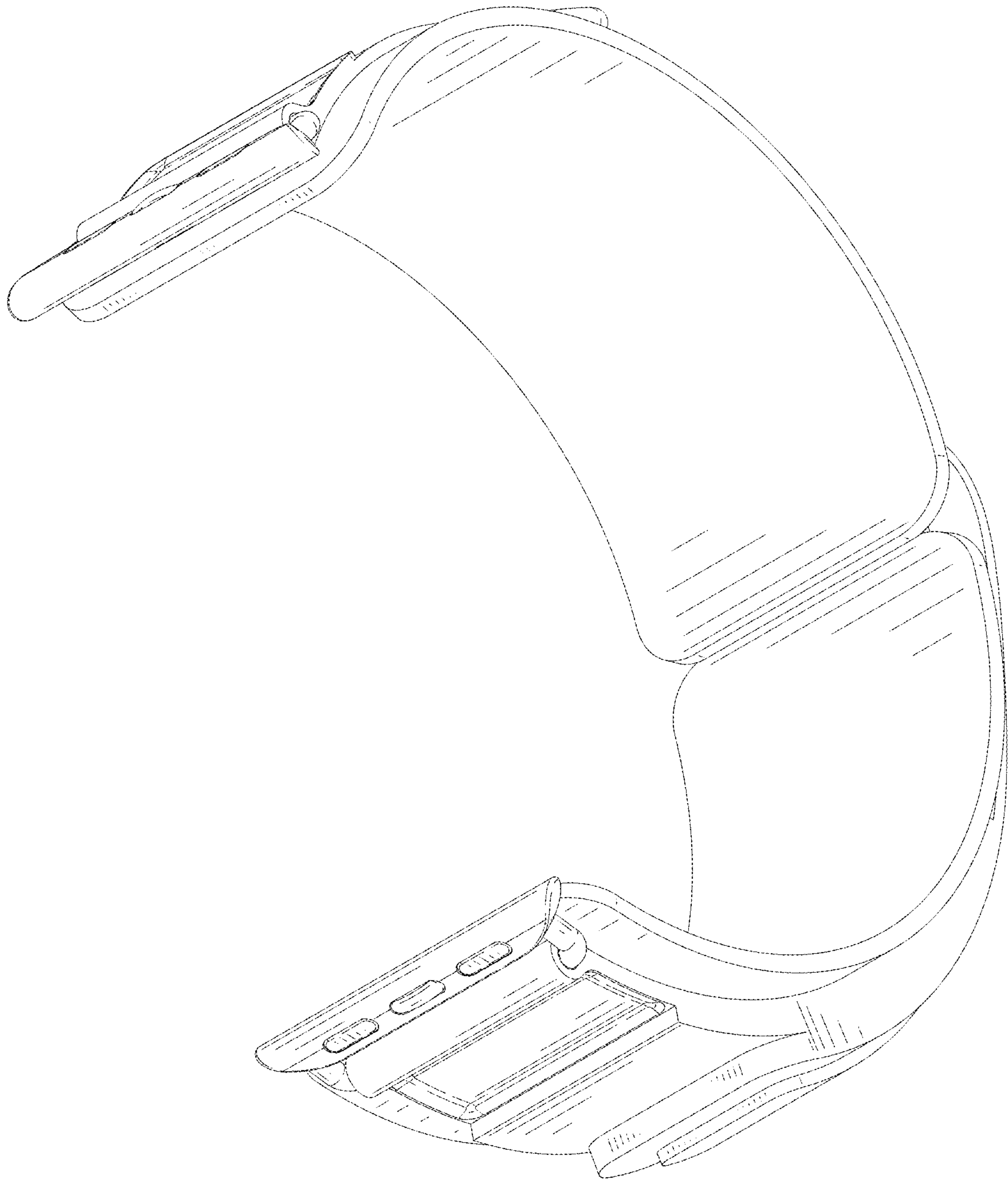


FIG. 2

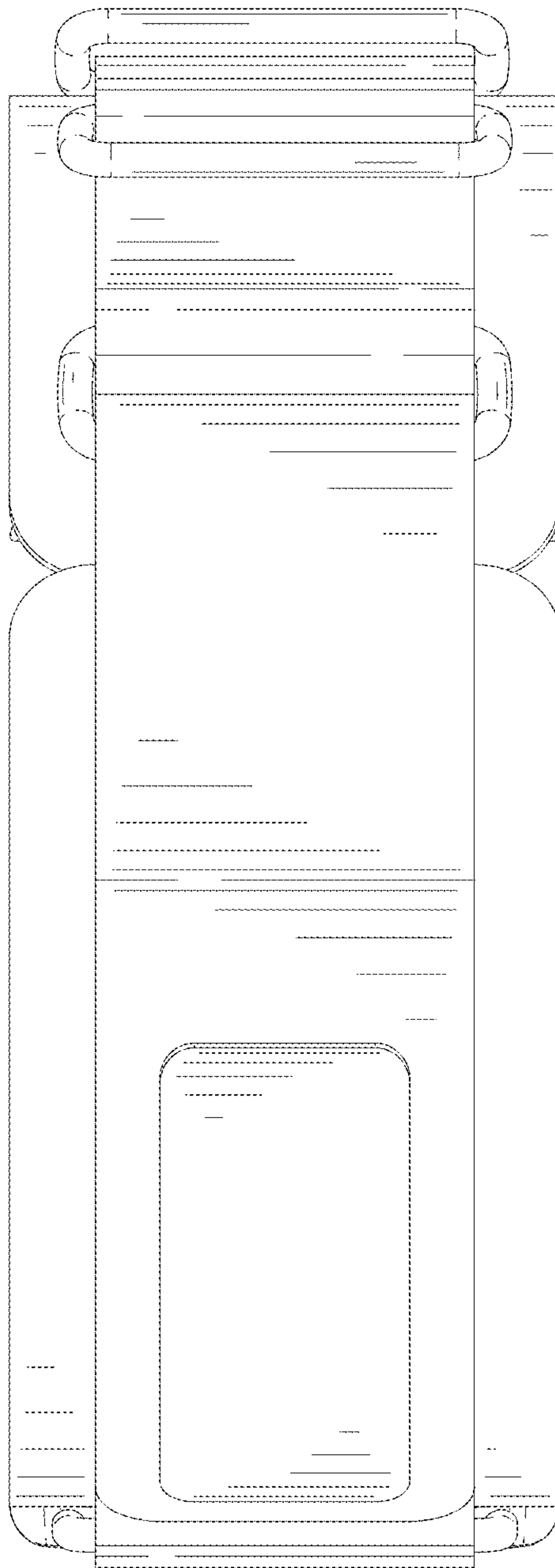


FIG. 3

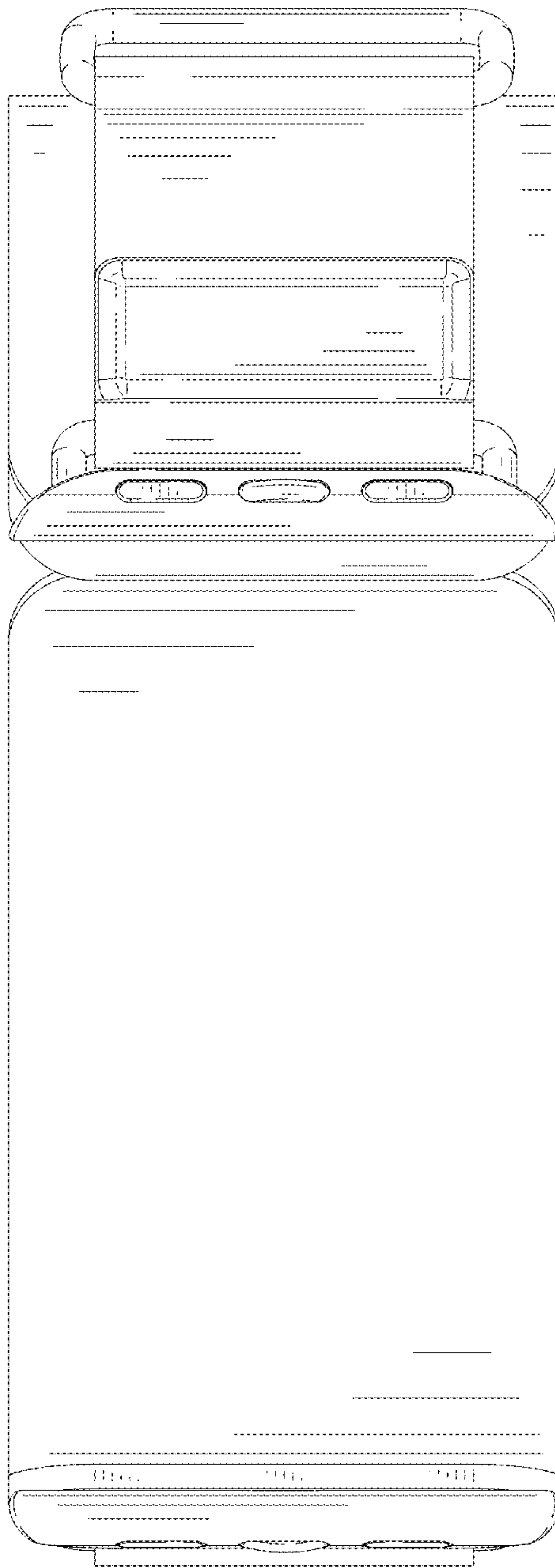


FIG. 4

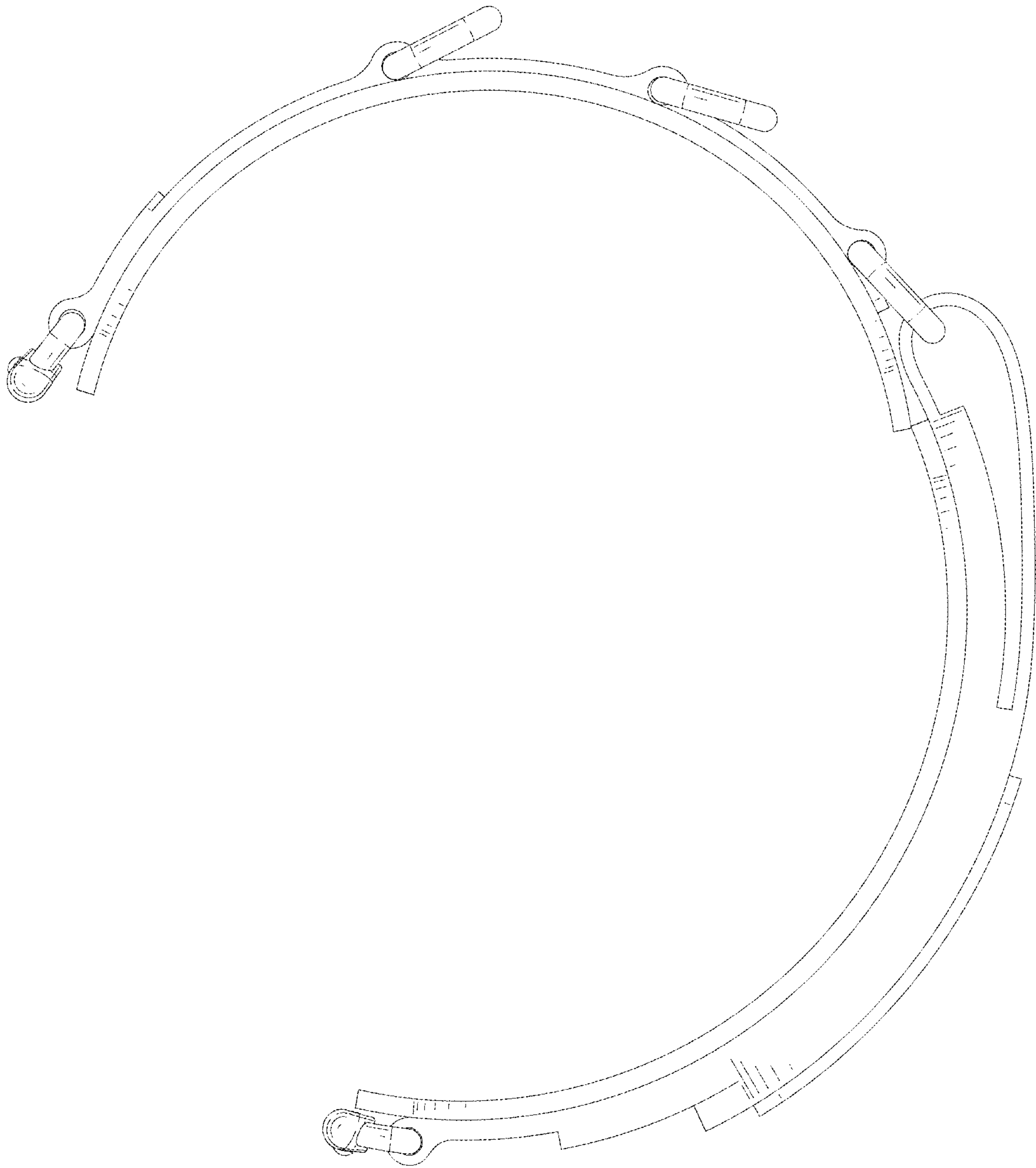


FIG. 5

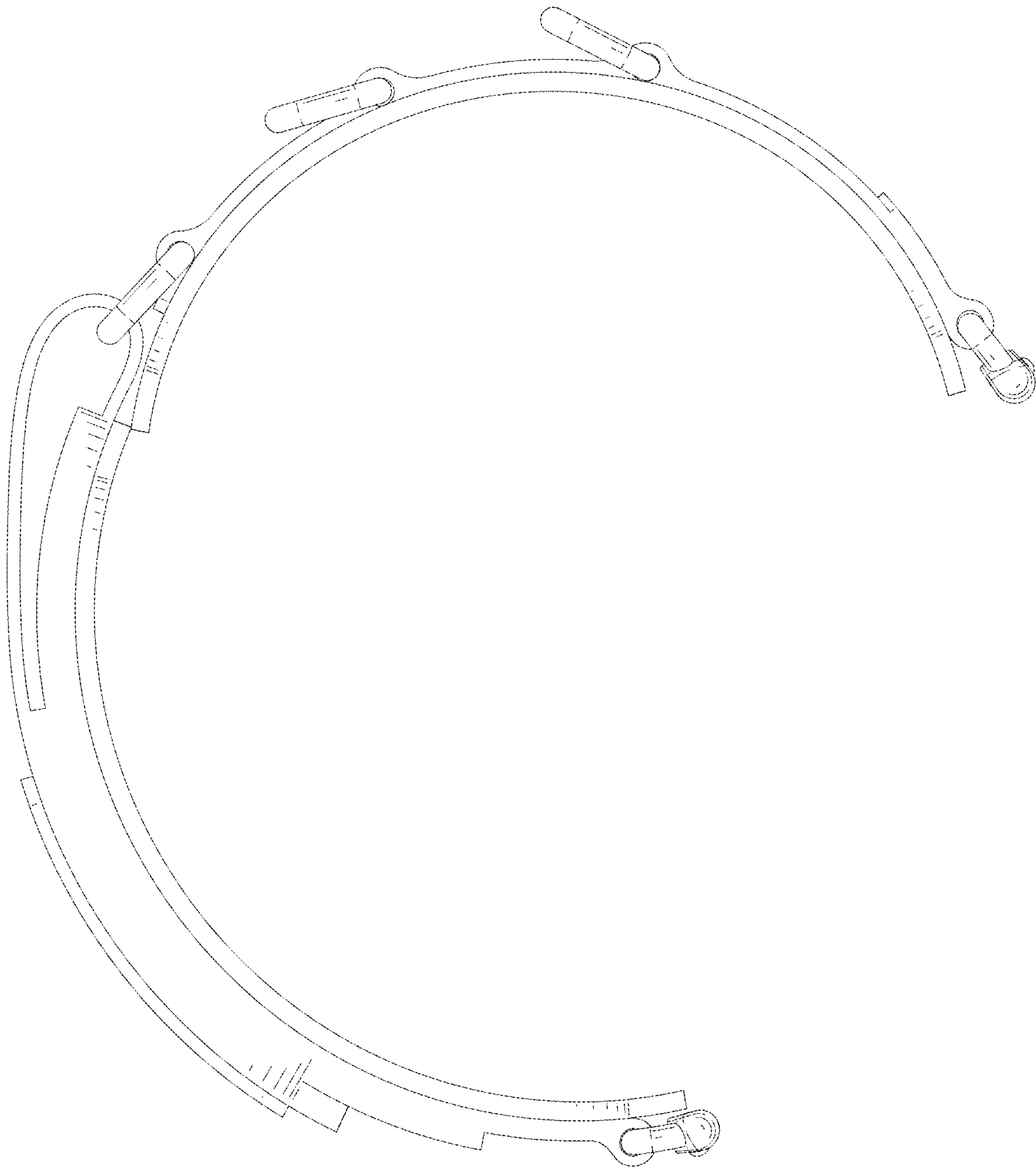


FIG. 6

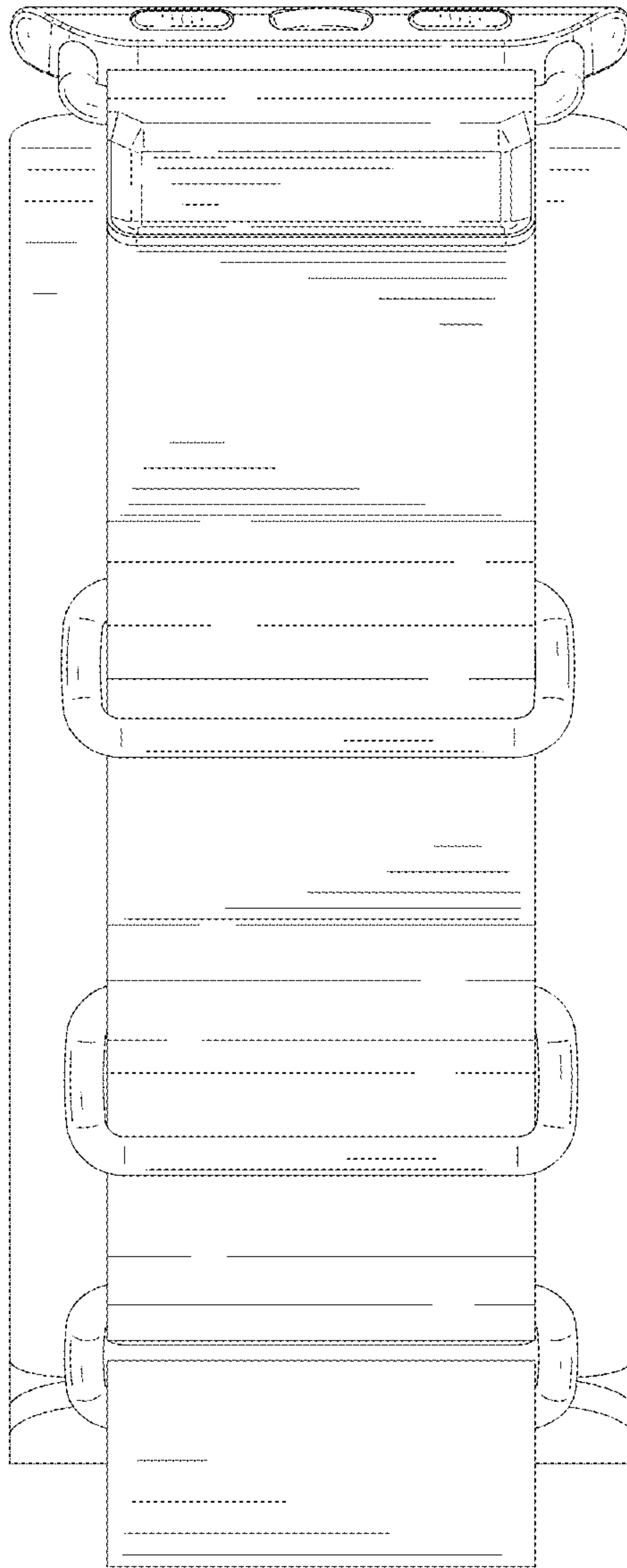


FIG. 7

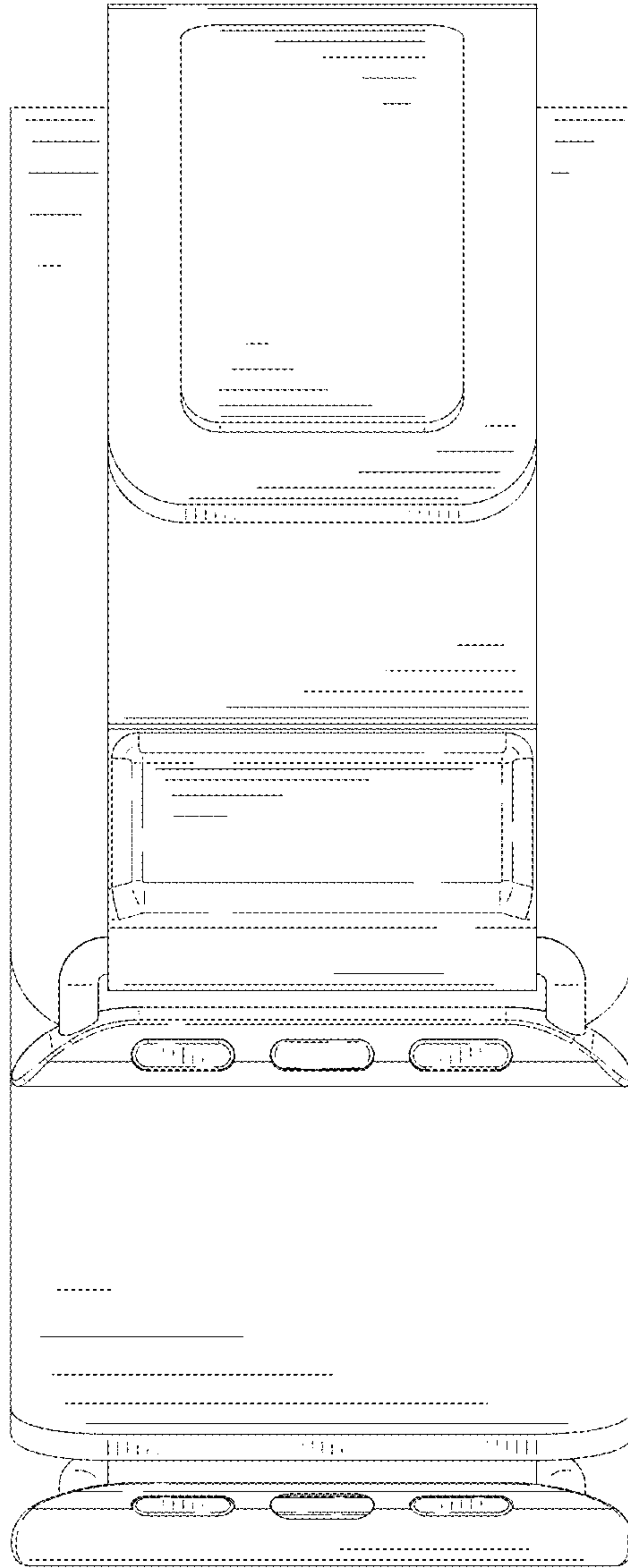


FIG. 8

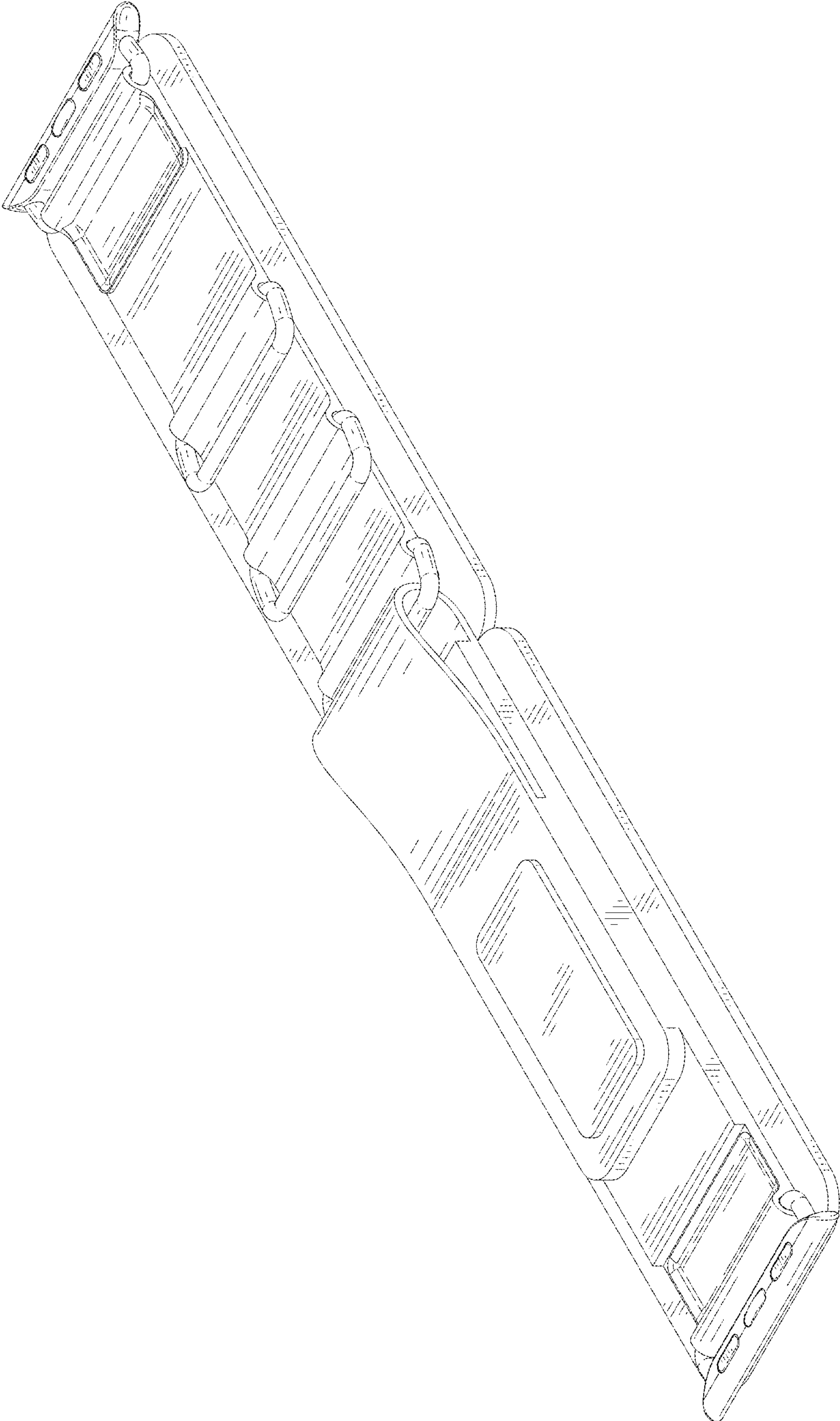


FIG. 9