



US00D981891S

(12) **United States Design Patent** (10) **Patent No.:** **US D981,891 S**  
**Zhang** (45) **Date of Patent:** **\*\* Mar. 28, 2023**

(54) **IDENTIFICATION BAND**

(71) Applicant: **THINK GREEN LIMITED**, Auckland (NZ)

(72) Inventor: **Shuting Zhang**, Hubei (CN)

(73) Assignee: **THINK GREEN LIMITED**, Auckland (NZ)

(\*\*) Term: **15 Years**

(21) Appl. No.: **29/820,399**

(22) Filed: **Dec. 21, 2021**

(30) **Foreign Application Priority Data**

Oct. 20, 2021 (CN) ..... 202130688300.4

(51) **LOC (14) Cl.** ..... **11-01**

(52) **U.S. Cl.**  
USPC ..... **D11/3; D14/344**

(58) **Field of Classification Search**  
USPC .... D11/1-25, 86, 87, 93, 94, 234, 235, 231;  
224/164, 175; 600/301; D10/30-39, 70,  
D10/46; 368/282, 285; D14/344;  
D24/167, 186, 187

CPC .... G04B 37/1486; G04B 37/16; G04B 37/18;  
G04B 37/00; A44C 5/14; A44C 5/0053;  
A44C 5/0069; A44C 5/0076; A44C 5/00;  
A44C 5/0007; A44C 5/0015; A44C  
5/0023; A44C 5/003; A44C 5/0061; A44C  
5/12; A44C 5/147; A44C 5/18; A44C  
5/185; A44C 5/2047; A44C 5/2052; A44B  
11/006; A44B 11/24

See application file for complete search history.

(56) **References Cited**

**U.S. PATENT DOCUMENTS**

2,807,849 A \* 10/1957 Legat ..... A44B 11/24  
24/316  
2,871,592 A \* 2/1959 Polzin ..... G09F 3/005  
24/574.1

(Continued)

**FOREIGN PATENT DOCUMENTS**

CA 179002 S 5/2019  
CN 305182146 \* 5/2019

(Continued)

**OTHER PUBLICATIONS**

FormFunctionForm [online] URL: <https://formfunctionform.com/products/button-stud-watchband-adjustable-cordovan> (site visited: Aug. 31, 2022) (Year: 2012).\*

(Continued)

*Primary Examiner* — Jae Liang

*Assistant Examiner* — Tia Ruth-Renee Polidori

(74) *Attorney, Agent, or Firm* — Dragon Sun Law Firm,  
PC; Jinggao Li; Nathaniel Perkins

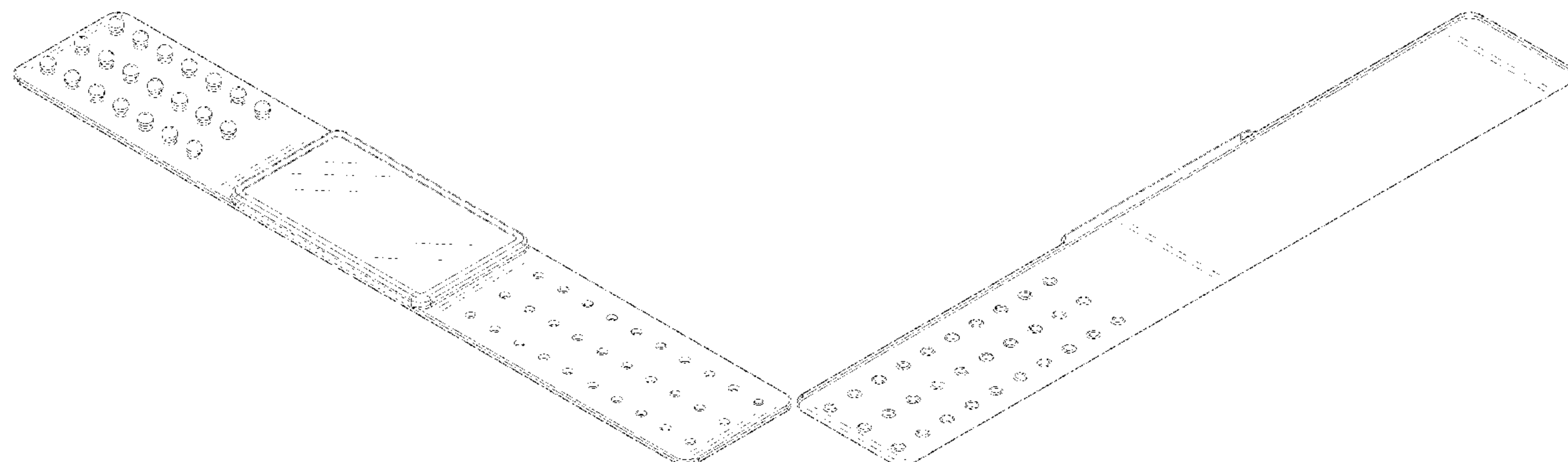
(57) **CLAIM**

The ornamental design for an identification band, as shown and described.

**DESCRIPTION**

FIG. 1 is a front, right side, top perspective view of an identification band embodying my new design;  
FIG. 2 is a rear, left side, bottom perspective view thereof;  
FIG. 3 is a front elevation view thereof;  
FIG. 4 is a rear elevation view thereof;  
FIG. 5 is an enlarged left side elevation view thereof;  
FIG. 6 is an enlarged right side elevation view thereof;  
FIG. 7 is a top plan view thereof; and,  
FIG. 8 is a bottom plan view thereof.  
The broken lines shown in the figures depict portions of the identification band that form no part of the claimed design.

**1 Claim, 5 Drawing Sheets**



(56)

References Cited

U.S. PATENT DOCUMENTS

3,155,987 A \* 11/1964 McGill ..... A44B 11/24  
2/322  
4,221,063 A \* 9/1980 Charles ..... G09F 3/005  
40/633  
D285,288 S \* 8/1986 Chau ..... D11/4  
D297,247 S 8/1988 Barr  
D297,248 S 8/1988 Barr  
4,779,249 A \* 10/1988 Rappaport ..... G04B 37/1486  
224/178  
D299,911 S 2/1989 Selke  
D342,571 S \* 12/1993 Givens, Sr. .... D24/186  
5,601,222 A \* 2/1997 Haddad ..... A44C 5/0007  
359/810  
D381,046 S 7/1997 Hiers et al.  
5,857,217 A \* 1/1999 Hsueh ..... A44C 5/0007  
2/338  
D524,184 S 7/2006 Watanabe  
D533,774 S 12/2006 Harper  
D604,192 S 11/2009 Temples  
D645,360 S \* 9/2011 Kiser ..... D10/32  
D652,756 S \* 1/2012 Lans ..... D11/3  
D675,123 S \* 1/2013 Nunez ..... D11/3  
D683,579 S 6/2013 Black  
D703,755 S 4/2014 Joseph  
D716,174 S \* 10/2014 Tsang ..... D11/3  
D729,682 S 5/2015 Daniel  
D742,372 S \* 11/2015 Christopher ..... D14/344  
D748,624 S \* 2/2016 Magi ..... D14/344  
D758,900 S \* 6/2016 Garner ..... D10/70  
D760,395 S \* 6/2016 Barbaric ..... D24/186  
D762,375 S \* 8/2016 Duarte ..... D3/218  
D762,641 S \* 8/2016 Lee ..... D14/344  
D768,992 S 10/2016 Garyga  
D782,286 S \* 3/2017 Rothbaum ..... D8/356

9,635,888 B2 \* 5/2017 Ishihara ..... A44C 5/0053  
D793,269 S \* 8/2017 Magniez ..... D11/3  
D793,270 S \* 8/2017 Riddiford ..... D11/3  
D829,100 S 9/2018 Averill  
10,357,165 B2 \* 7/2019 Yoon ..... A61B 5/0295  
D867,599 S \* 11/2019 Barbaric ..... D24/186  
D883,838 S \* 5/2020 Deng ..... D11/3  
D910,273 S \* 2/2021 Wexelbaum ..... D2/639  
D915,515 S 4/2021 Pelton et al.  
D937,418 S \* 11/2021 Byler ..... D24/167  
2008/0127782 A1 \* 6/2008 O'Brien ..... B67B 7/16  
81/3.09  
2015/0170482 A1 \* 6/2015 Soni ..... G06F 3/1423  
340/539.11  
2015/0289600 A1 \* 10/2015 Shirai ..... A41F 1/008  
24/191  
2016/0106333 A1 \* 4/2016 Kang ..... A61B 5/02007  
600/301  
2020/0206089 A1 \* 7/2020 Kroening ..... A61J 17/001

FOREIGN PATENT DOCUMENTS

CN 307113529 \* 2/2022  
GB 2070097 \* 2/1998

OTHER PUBLICATIONS

MyID [online] URL: <https://shop.getmyid.com/products/myid-sport-medical-id> (site visited: Aug. 31, 2022) (Year: 2016).\*  
LeatherBoundOnline [online] URL: [https://www.leatherboundonline.com/Black\\_Leather\\_Watch\\_Band\\_Studded\\_p/masbk-5.htm](https://www.leatherboundonline.com/Black_Leather_Watch_Band_Studded_p/masbk-5.htm) (site visited: Aug. 31, 2022) (Year: 2022).\*  
NickMankey [online] URL: <https://nickmankeydesigns.com/shop/leather-ruler-stud-strap> (site visited: Aug. 31, 2022) (Year: 2022).\*

\* cited by examiner

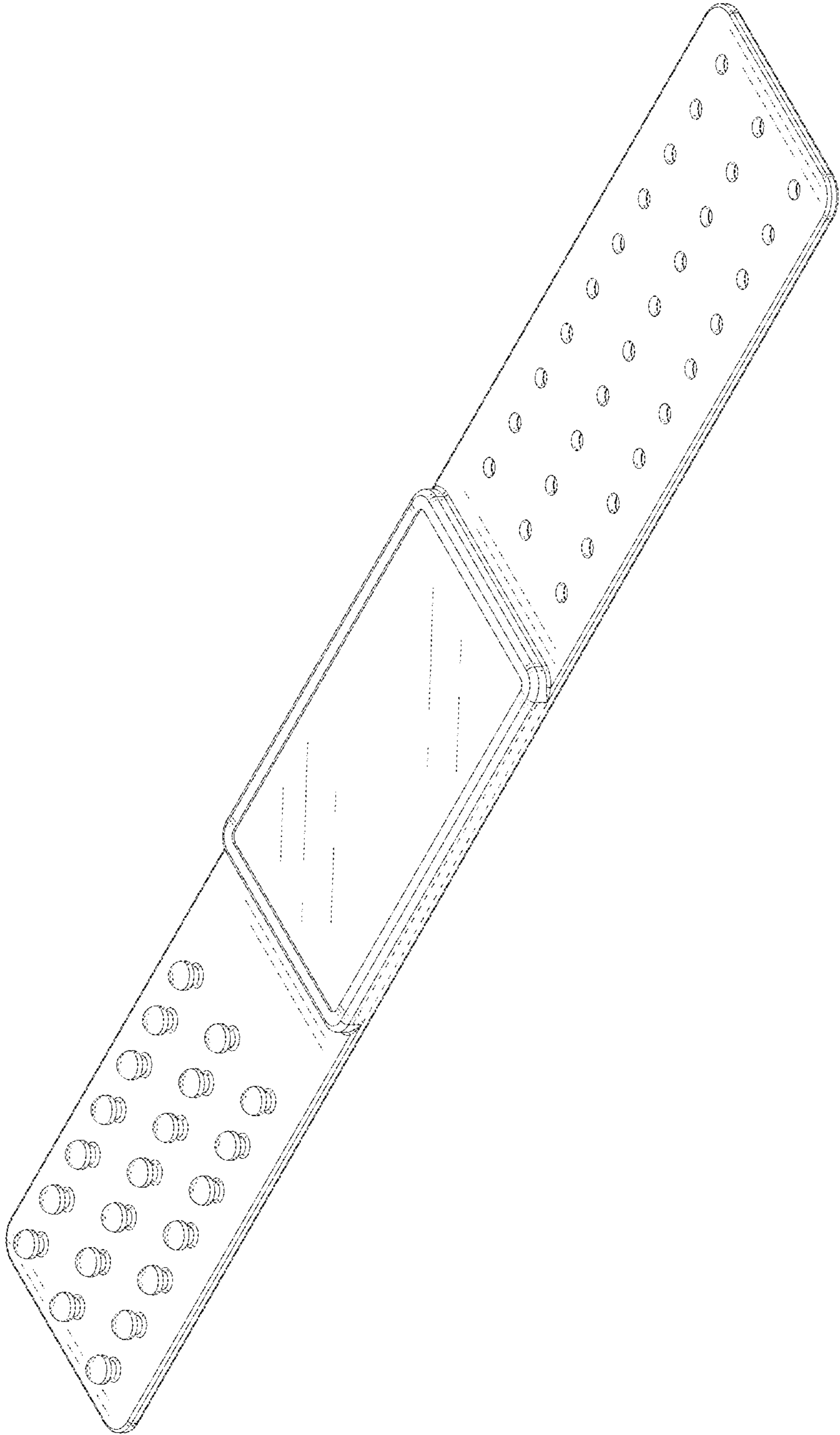


FIG. 1

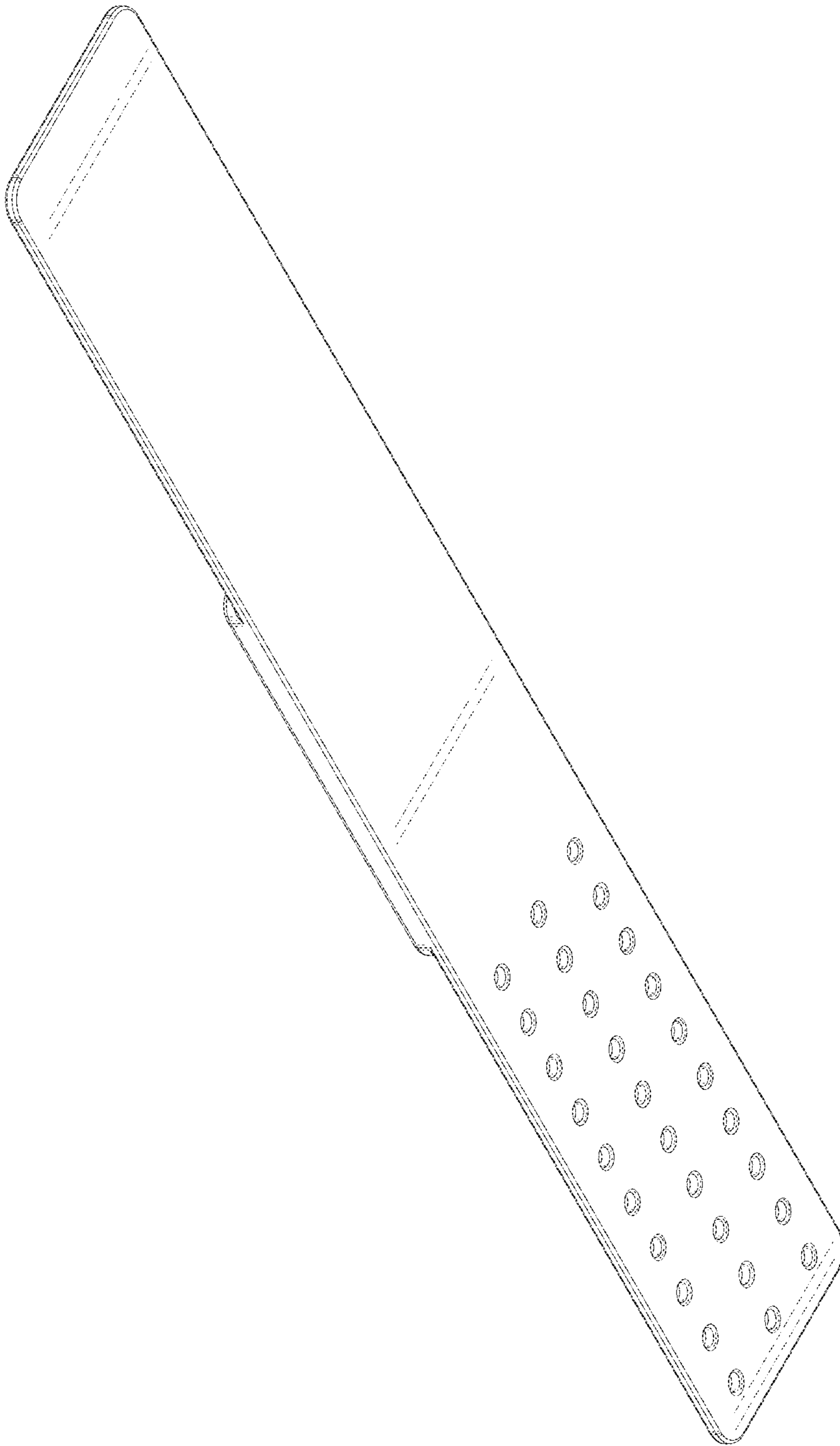


FIG. 2



FIG. 3

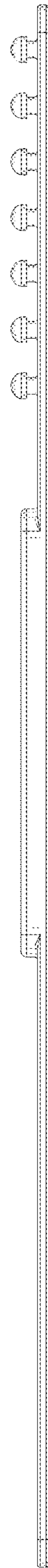


FIG. 4

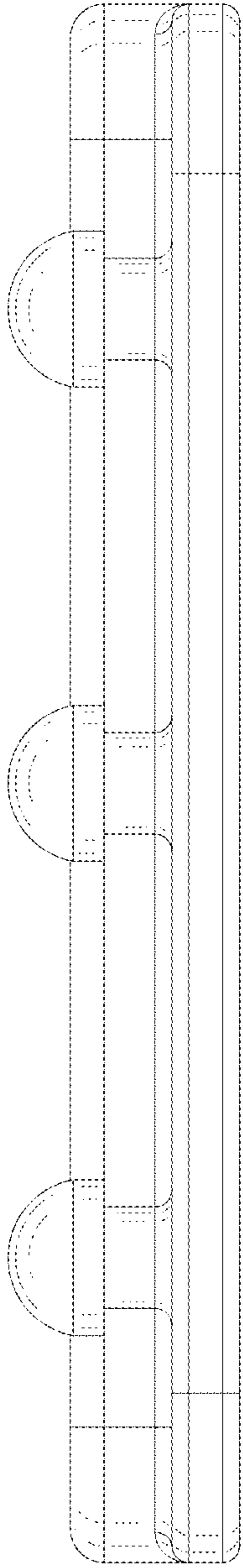


FIG. 5

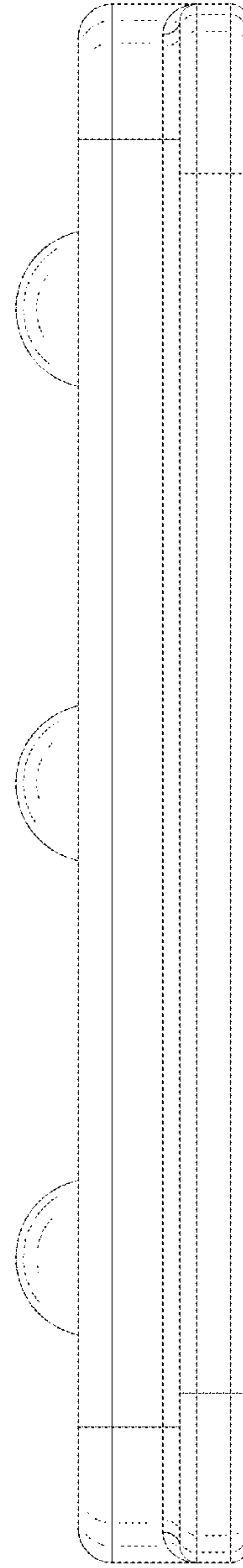


FIG. 6

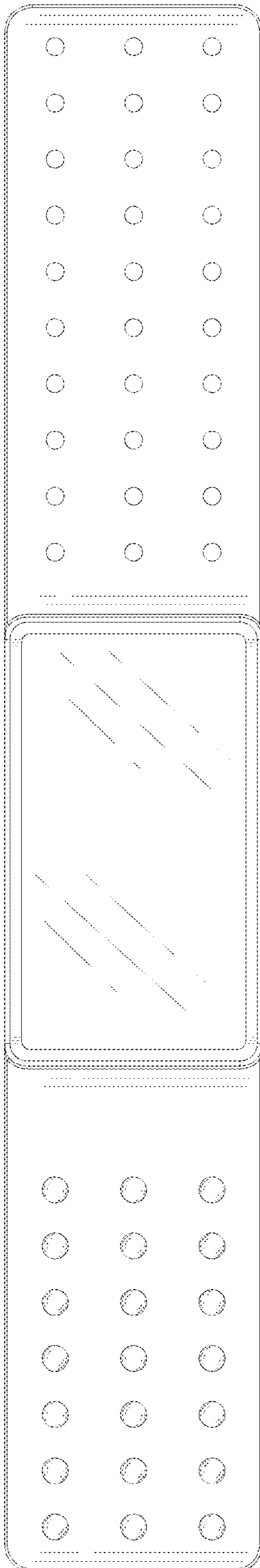


FIG. 7

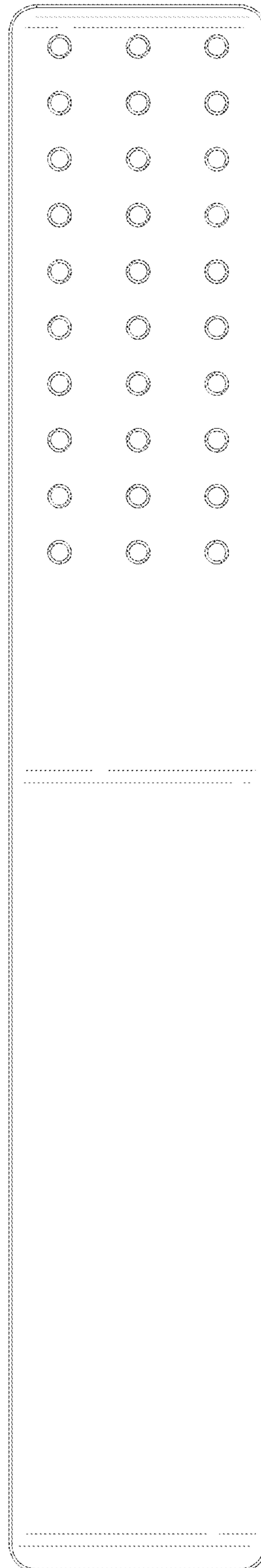


FIG. 8