



US00D981889S

(12) **United States Design Patent**
Liu

(10) **Patent No.:** **US D981,889 S**
(45) **Date of Patent:** **** Mar. 28, 2023**

(54) **WATCH CASE**

(71) Applicant: **Yulan Liu**, Xinyu (CN)

(72) Inventor: **Yulan Liu**, Xinyu (CN)

(**) Term: **15 Years**

(21) Appl. No.: **29/848,477**

(22) Filed: **Aug. 3, 2022**

(30) **Foreign Application Priority Data**

Jul. 2, 2022 (EP) 009093602-0002
Jul. 21, 2022 (EP) 009093602-0001

(51) **LOC (14) Cl.** **10-07**

(52) **U.S. Cl.**
USPC **D10/132**

(58) **Field of Classification Search**
USPC D10/30-39, 122, 128, 129-132;
D11/3-94; D14/344, 440
(Continued)

(56) **References Cited**

U.S. PATENT DOCUMENTS

D718,651 S * 12/2014 Yatsugi-Kang D11/91
D770,931 S * 11/2016 Parker D10/132
(Continued)

OTHER PUBLICATIONS

Lobkin Bling Apple Watch Case | amazon.com; date first avail. Oct. 31, 2020 [online]. © 1996-2022, Amazon.com, Inc [retrieved Dec. 14, 2022] from Internet: <<https://www.amazon.com/Protector-Compatible-Smartwatch-Protective-Pink-Pink/dp/B08QR3KXBG?th=1>> (Year: 2020).*

(Continued)

Primary Examiner — Katherine Glennon

(74) *Attorney, Agent, or Firm* — Runit Ranjit Kanakia

(57) **CLAIM**

The ornamental design for a watch case, as shown and described.

DESCRIPTION

FIG. 1 is a first perspective view of a first embodiment of a watch case showing my new design;

FIG. 2 is a second perspective view of the first embodiment thereof;

FIG. 3 is a front view of the first embodiment thereof;

FIG. 4 is a back view of the first embodiment thereof;

FIG. 5 is a left side view of the first embodiment thereof;

FIG. 6 is a right side view of the first embodiment thereof;

FIG. 7 is a top view of the first embodiment thereof;

FIG. 8 is a bottom view of the first embodiment thereof;

FIG. 9 is an exploded view of the watch case thereof;

FIG. 10 is an enlarged view of the selected portion 10 in FIG. 1;

FIG. 11 is a first perspective view of a second embodiment of a watch case showing my new design;

FIG. 12 is a second perspective view of the second embodiment thereof;

FIG. 13 is a front view of the second embodiment thereof;

FIG. 14 is a back view of the second embodiment thereof;

FIG. 15 is a left side view of the second embodiment thereof;

FIG. 16 is a right side view of the second embodiment thereof;

FIG. 17 is a top view of the second embodiment thereof;

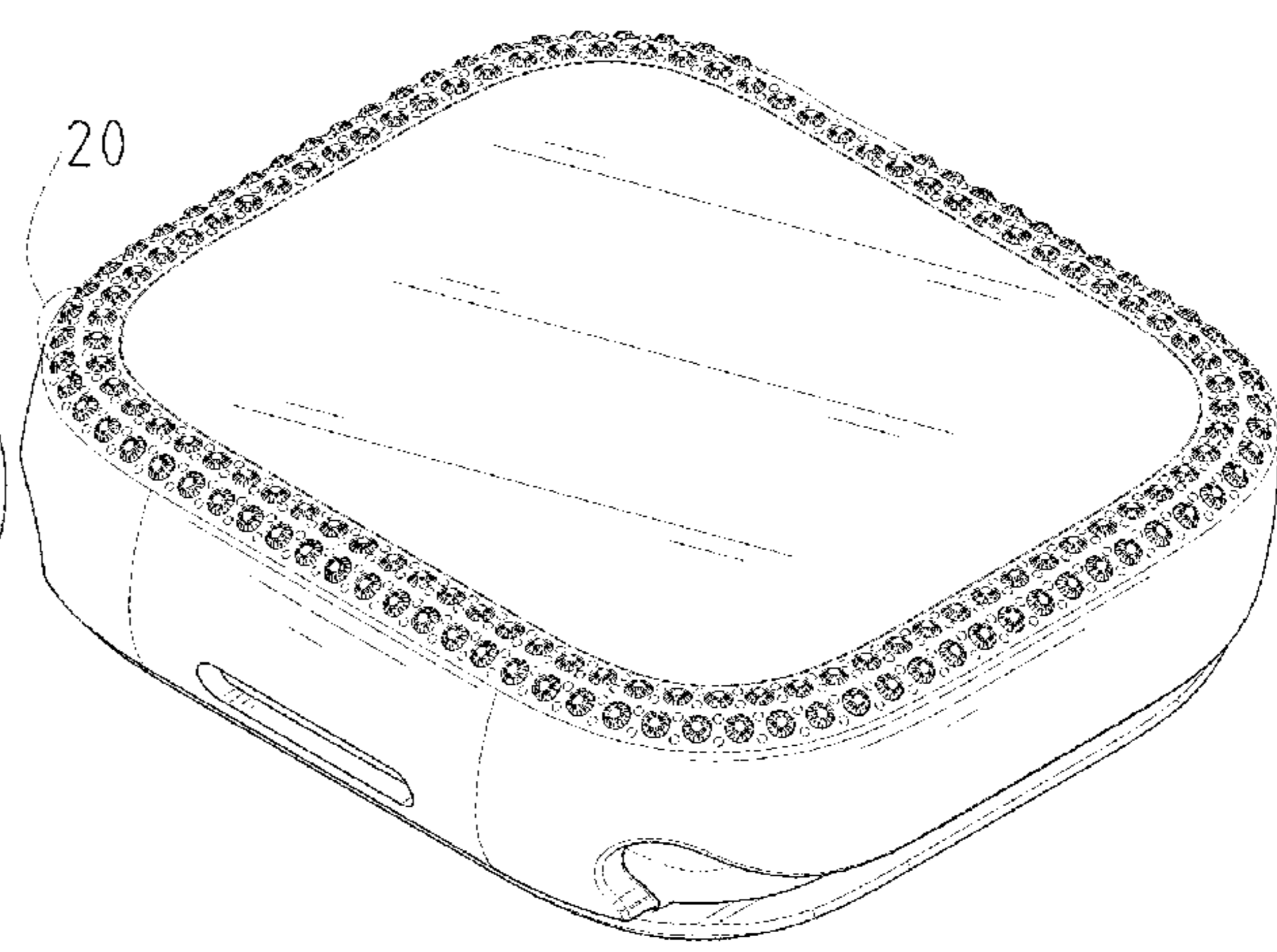
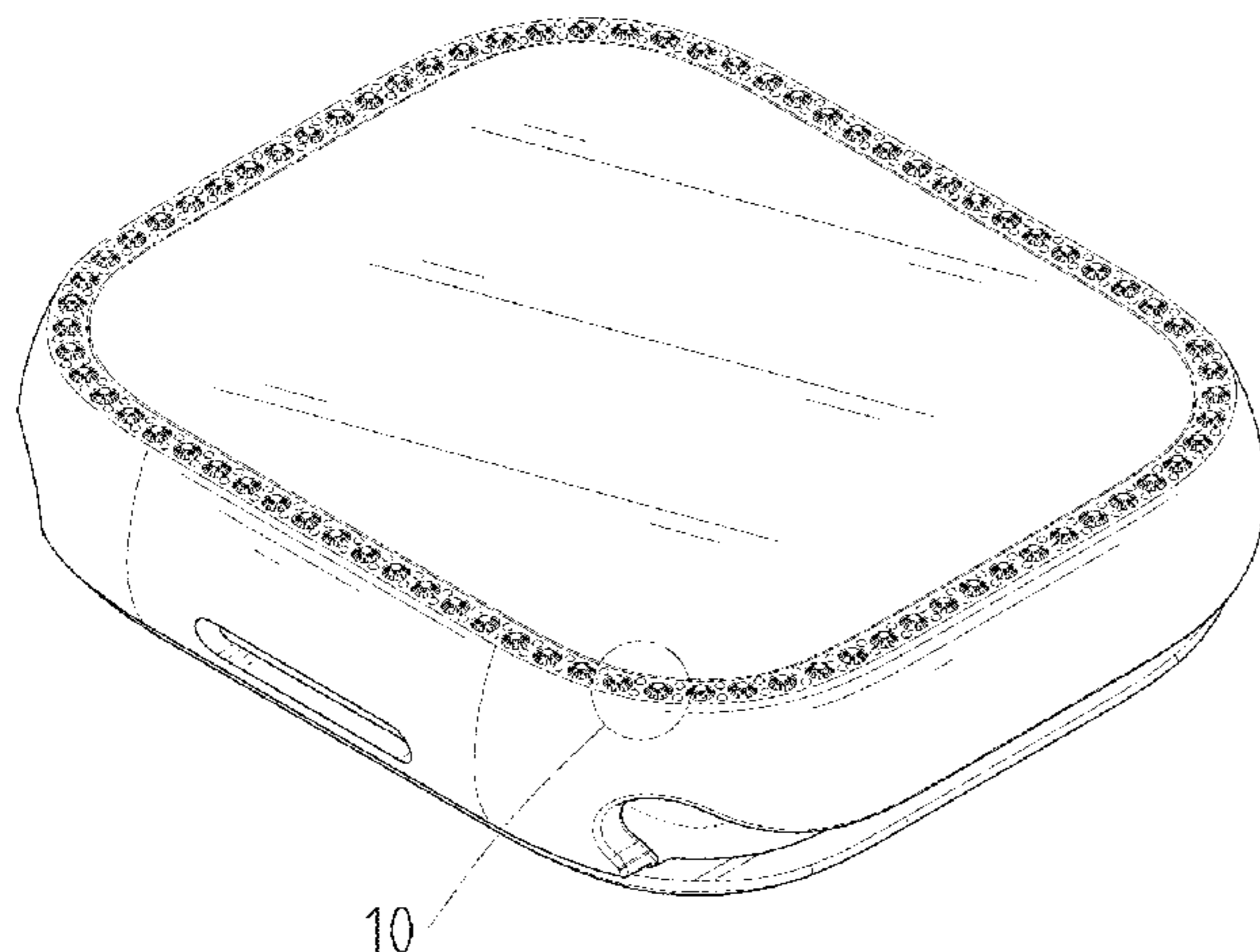
FIG. 18 is a bottom view of the second embodiment thereof;

FIG. 19 is an exploded view of the watch case thereof; and,

FIG. 20 is an enlarged view of the selected portion 20 in FIG. 11.

The broken lines shown in the drawings depict portions of the watch case that form no part of the claimed design.

1 Claim, 20 Drawing Sheets



(58) **Field of Classification Search**

CPC A44C 5/00; A44C 5/0007; A44C 5/147;
 A44C 17/02; A45C 2011/001-003; A45C
 15/08; A45C 11/10; A45C 11/12; G04B
 37/005; G04B 37/0058; G04B 37/084;
 G04B 37/087; G04G 17/08

See application file for complete search history.

D944,099 S * 2/2022 Nussbaumer D10/32
 D952,496 S * 5/2022 Yu D10/30
 D954,584 S * 6/2022 Zhou D10/132
 D957,266 S * 7/2022 Zhou D10/38
 D960,893 S * 8/2022 Zhou D14/440
 D962,807 S * 9/2022 Shen D14/440
 D964,875 S * 9/2022 Lin D11/91
 2019/0369563 A1 * 12/2019 Chen F16J 15/022

(56)

References Cited

U.S. PATENT DOCUMENTS

D780,740 S * 3/2017 Kim D14/250
 D902,768 S * 11/2020 Lin D14/440
 D909,903 S * 2/2021 Lin D10/132
 D920,810 S 6/2021 Engelbrecht
 D925,385 S * 7/2021 Lin D14/440
 D935,330 S 11/2021 Kieser
 D935,331 S 11/2021 Calamai
 D935,447 S * 11/2021 Xu D14/250
 D939,379 S * 12/2021 Fan D11/81
 11,199,814 B2 * 12/2021 Chen G04B 37/084

OTHER PUBLICATIONS

Supoix Comaptible with Apple Watch | date first available Mar. 10, 2020 [online]. © 1996-2022, Amazon.com, Inc [retrieved Sep. 26, 2022] from Internet: <https://www.amazon.com/dp/B085QGD23L/ref=emc_b_5_i?th=1> (Year: 2020).*

Repluto 2 in 1 Waterproof Apple Watch | amazon.com; date first avail May 19, 2022 [online]. © 1996-2022, Amazon.com, Inc [retrieved Dec. 14, 2022] from Internet: <<https://www.amazon.com/Repluto-Waterproof-Protector-45mm-Tempered/dp/B0B1Q8YTSK?th=1>>(Year: 2022).*

* cited by examiner

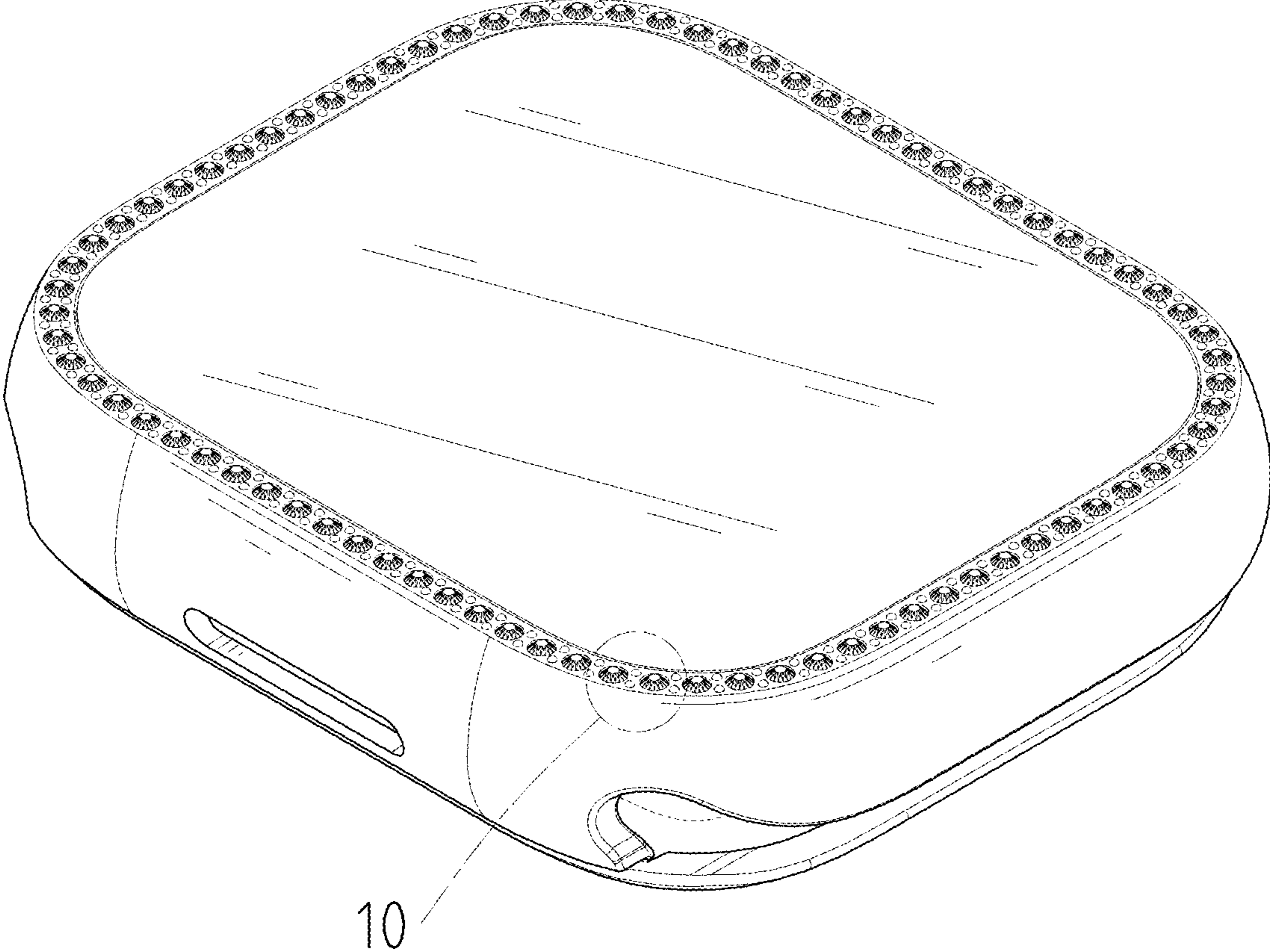


FIG. 1

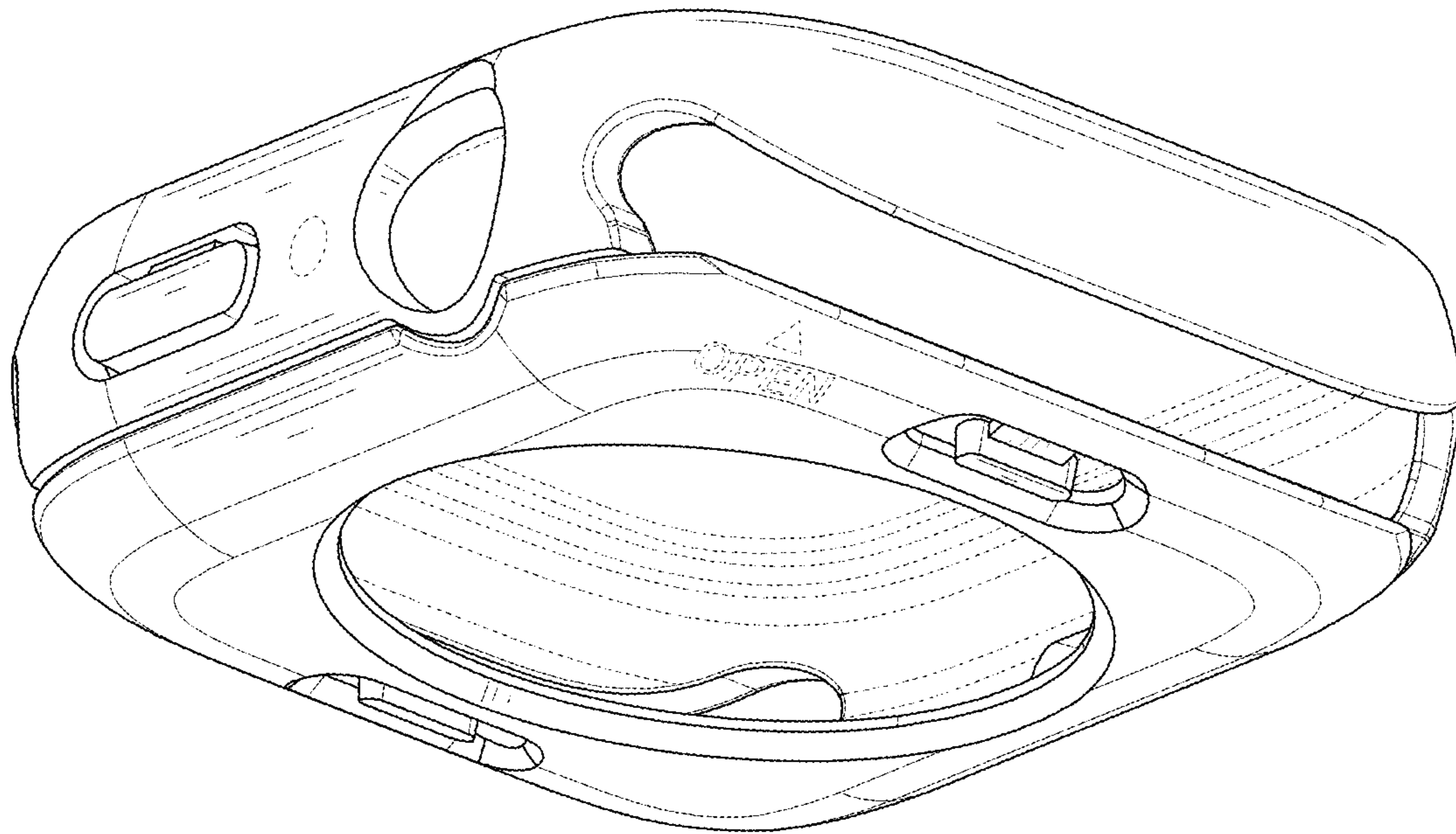


FIG. 2

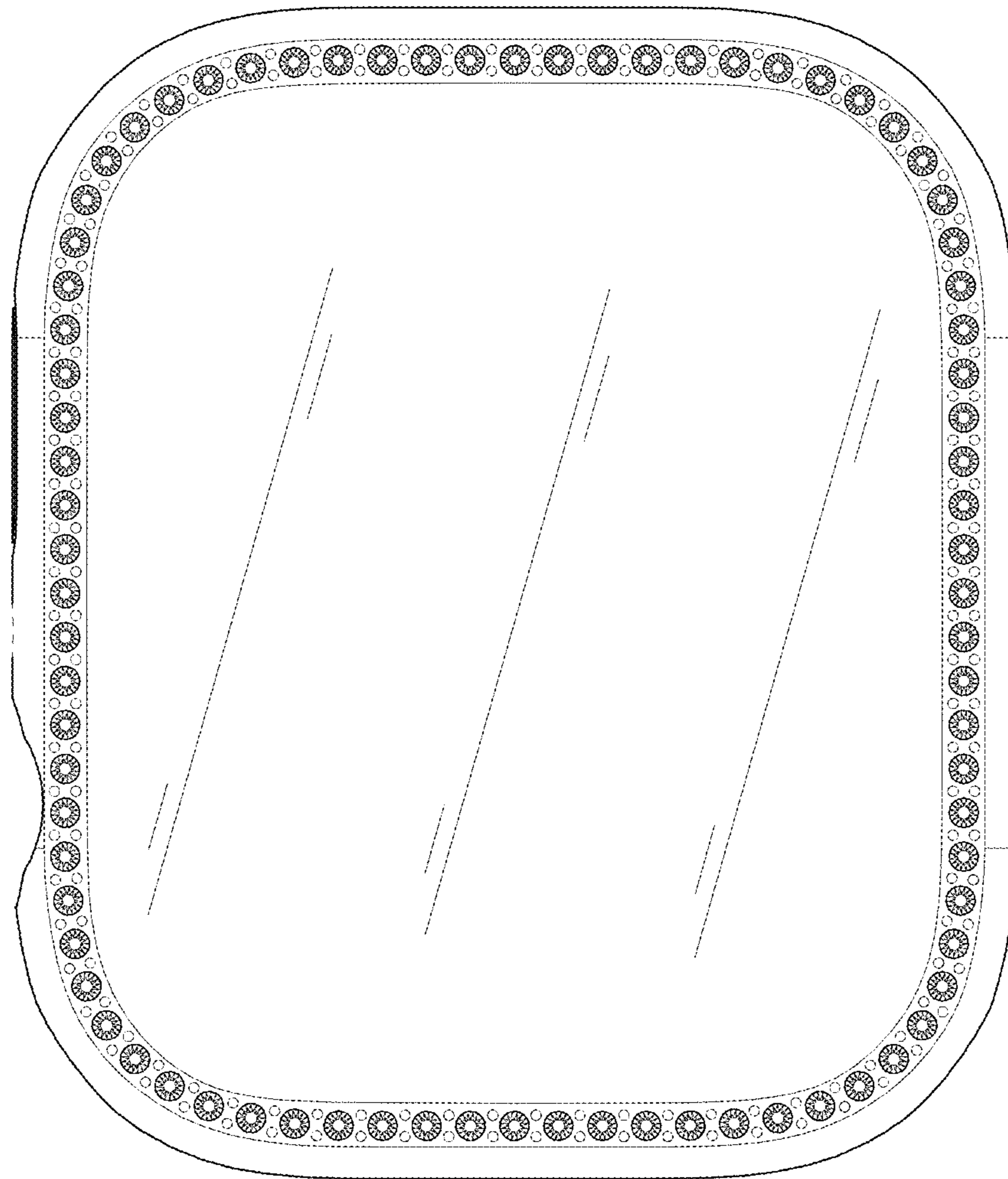


FIG. 3

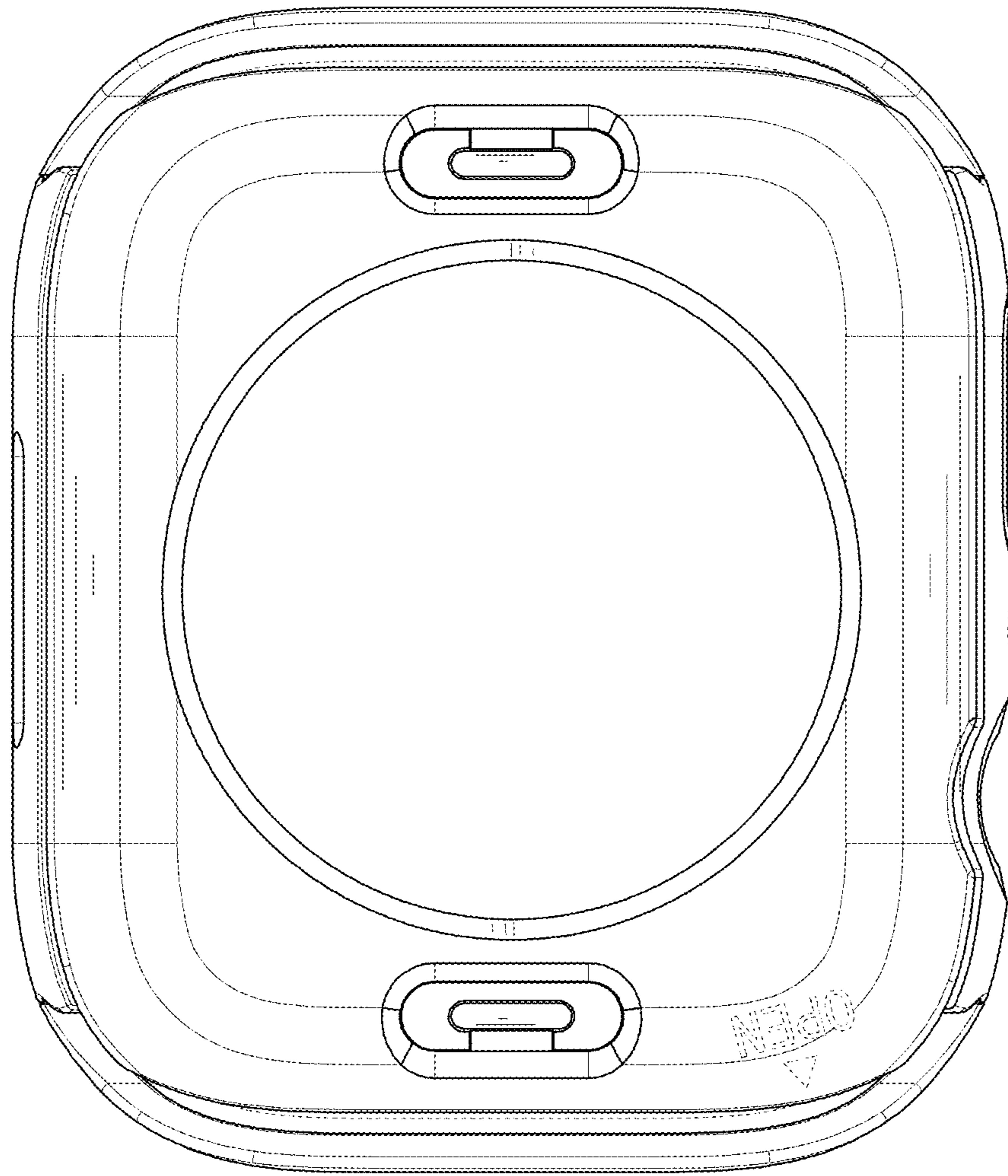


FIG. 4

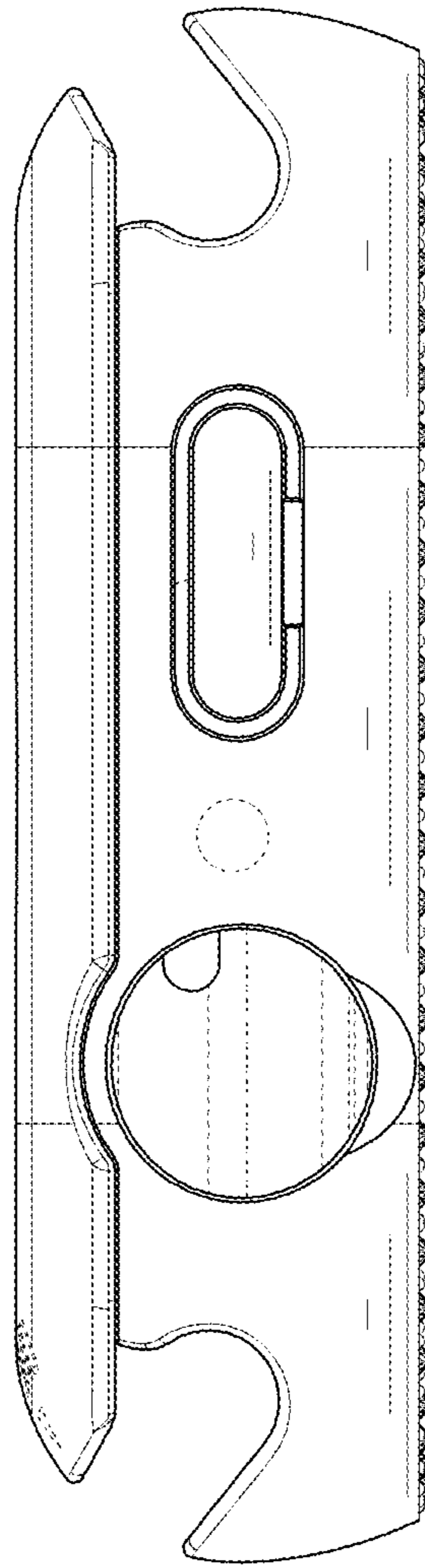


FIG. 5

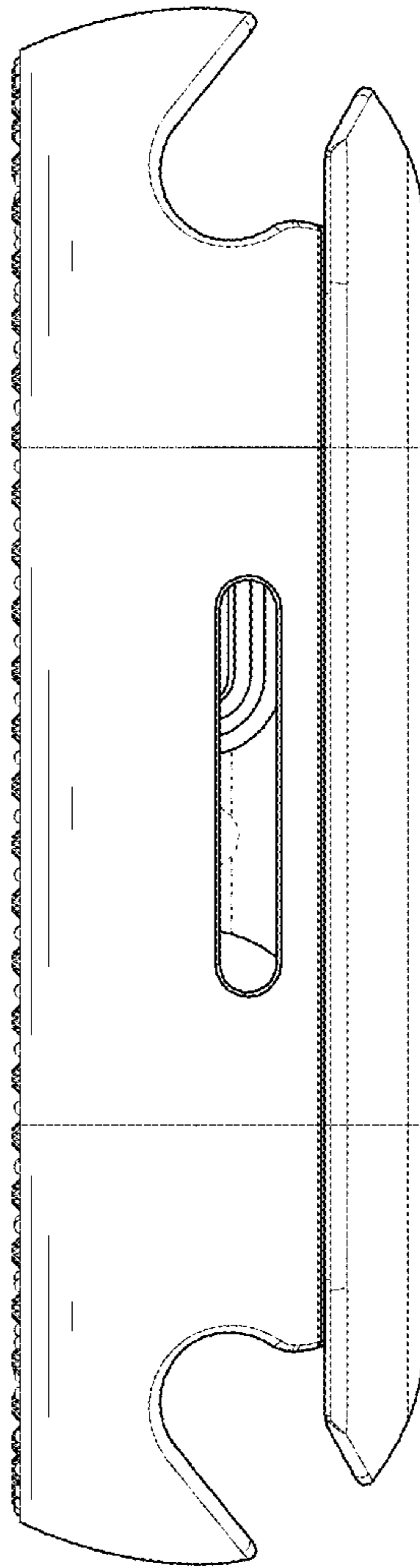


FIG. 6

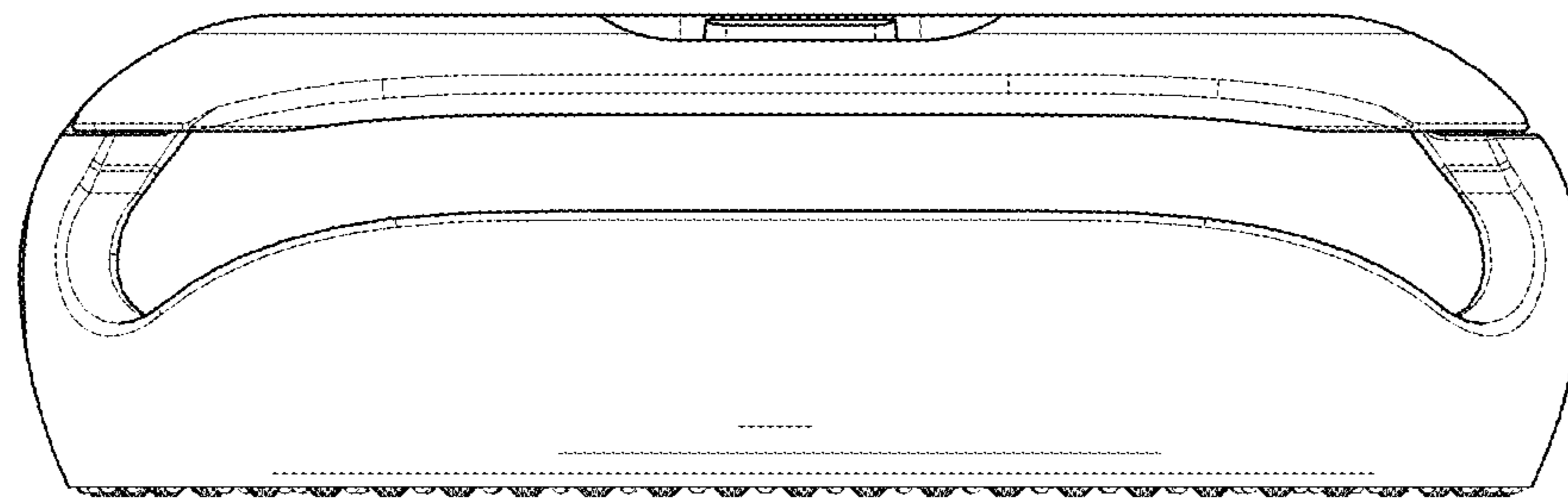


FIG. 7

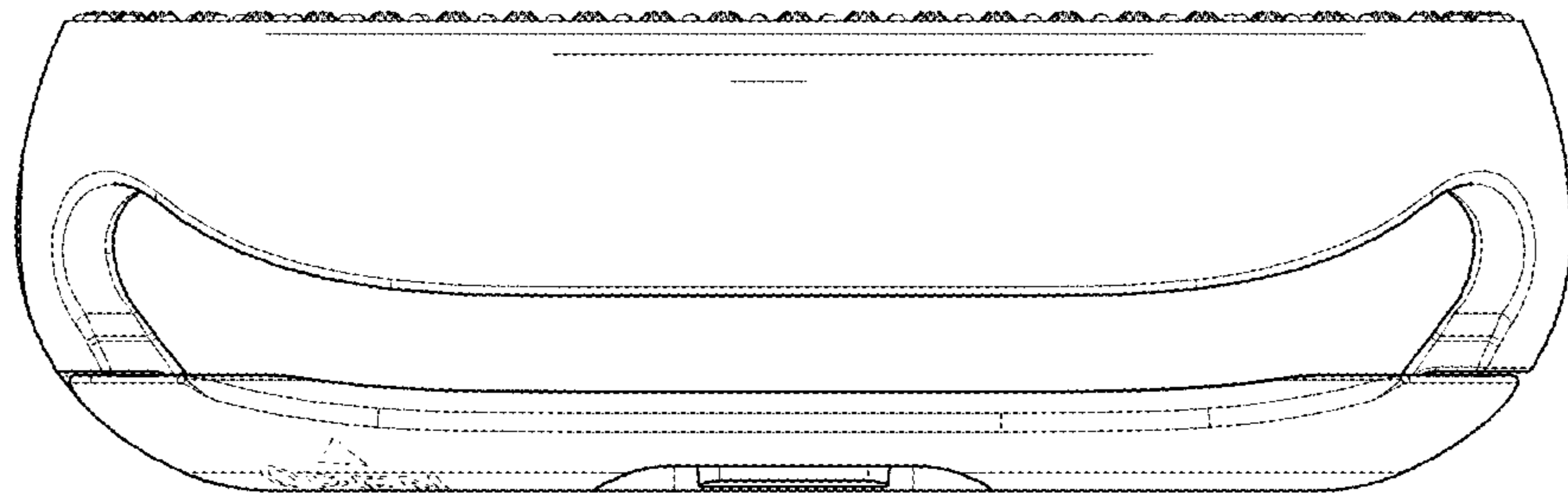


FIG. 8

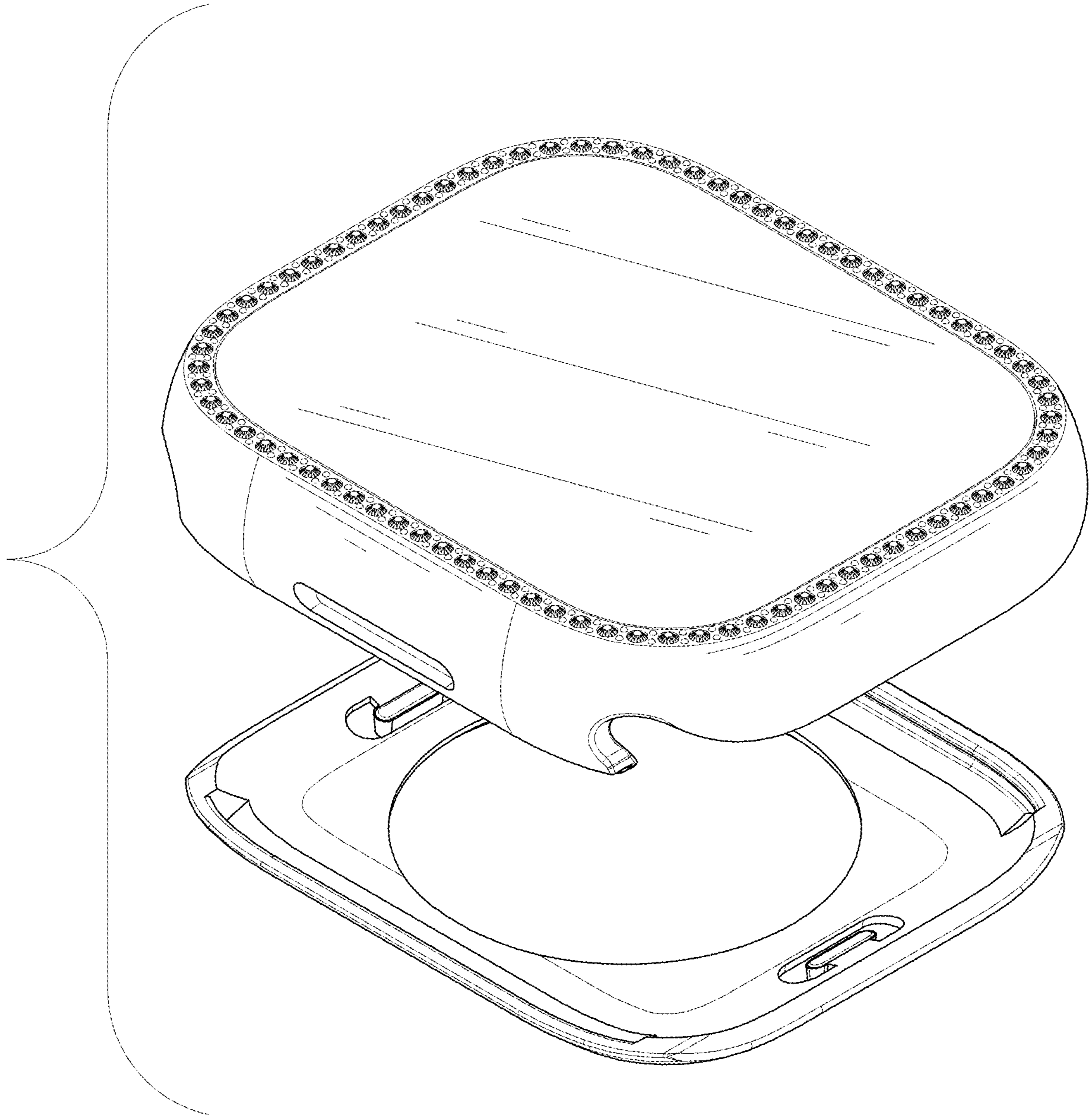


FIG. 9

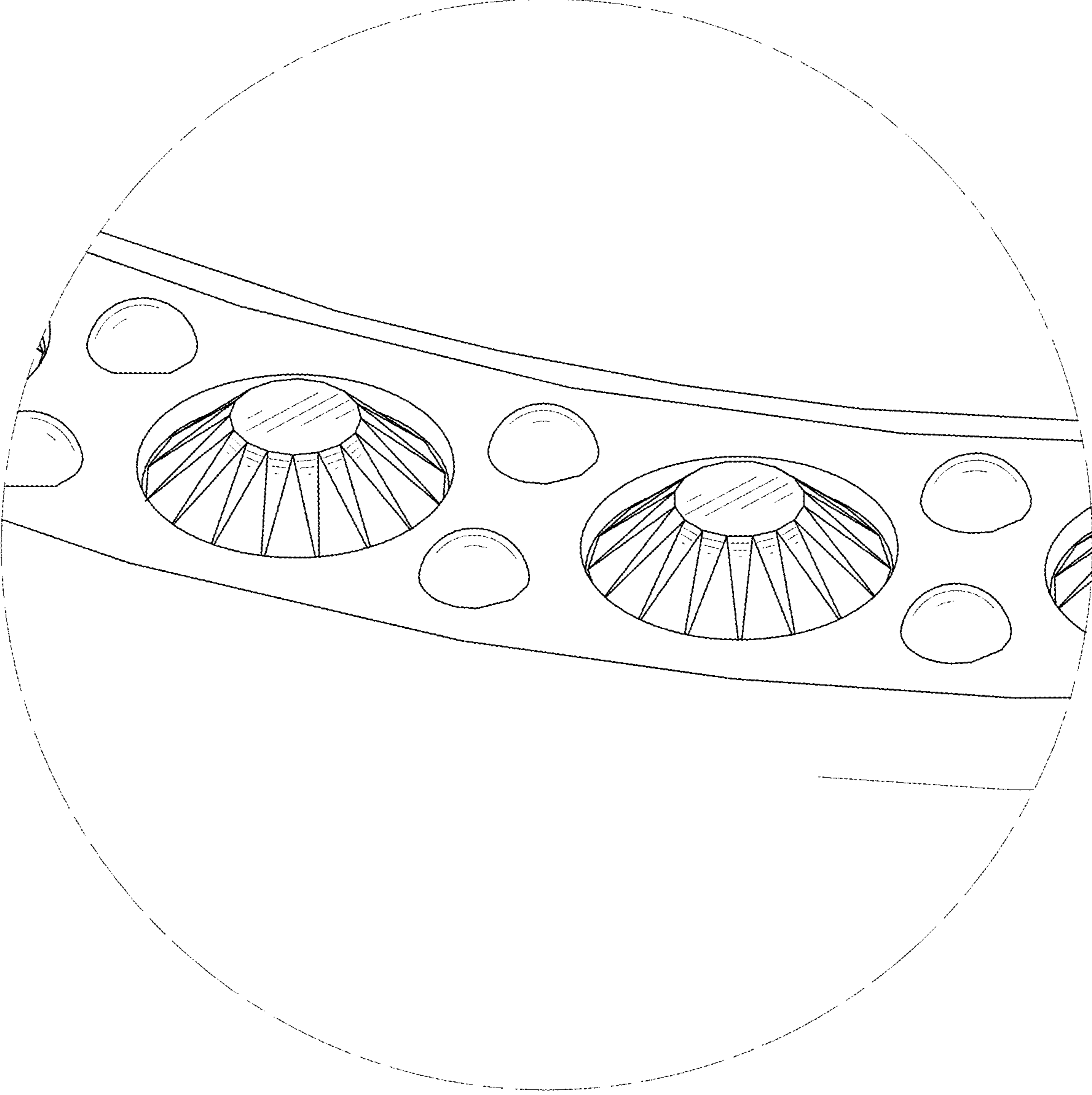


FIG. 10

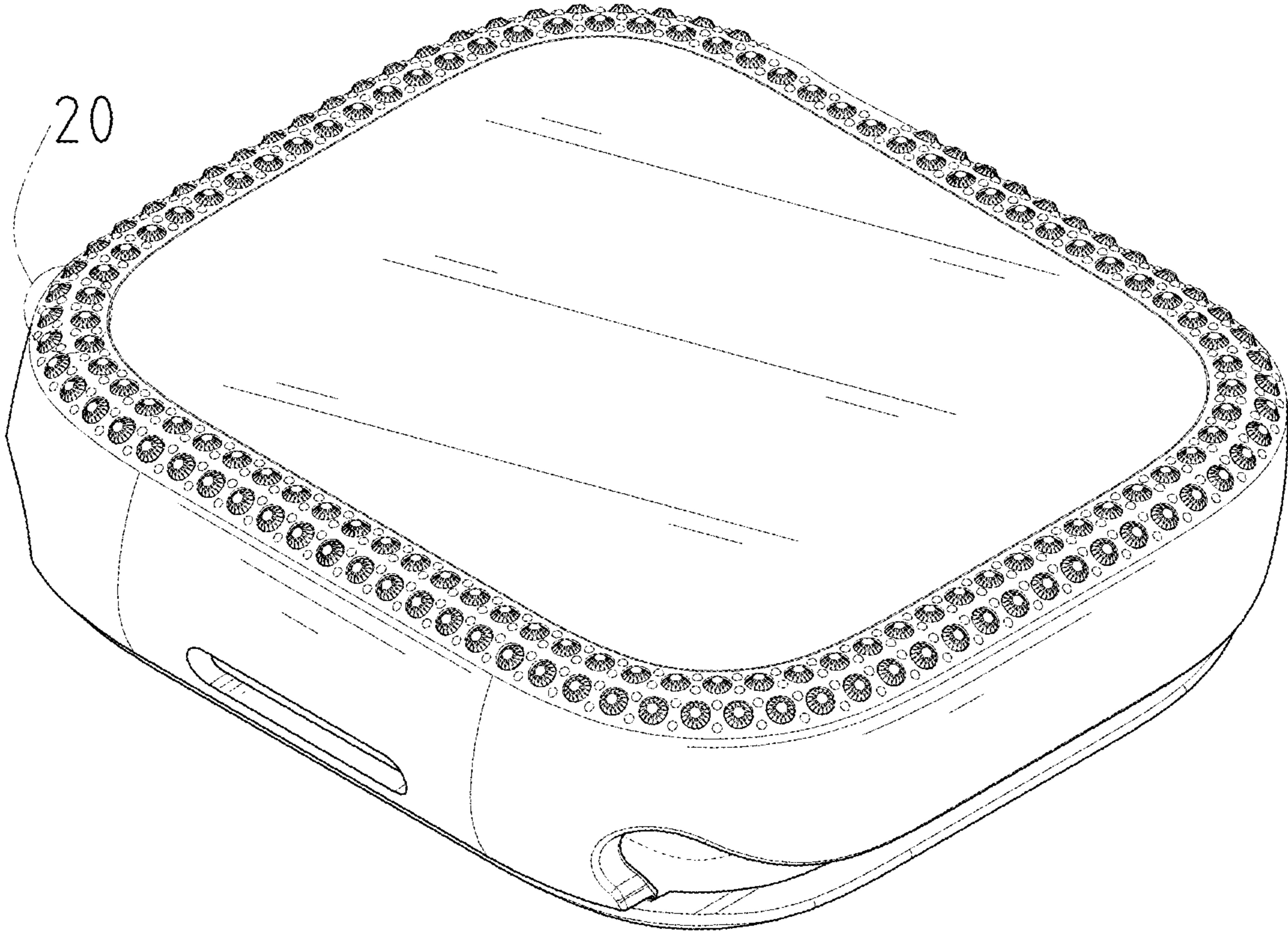


FIG. 11

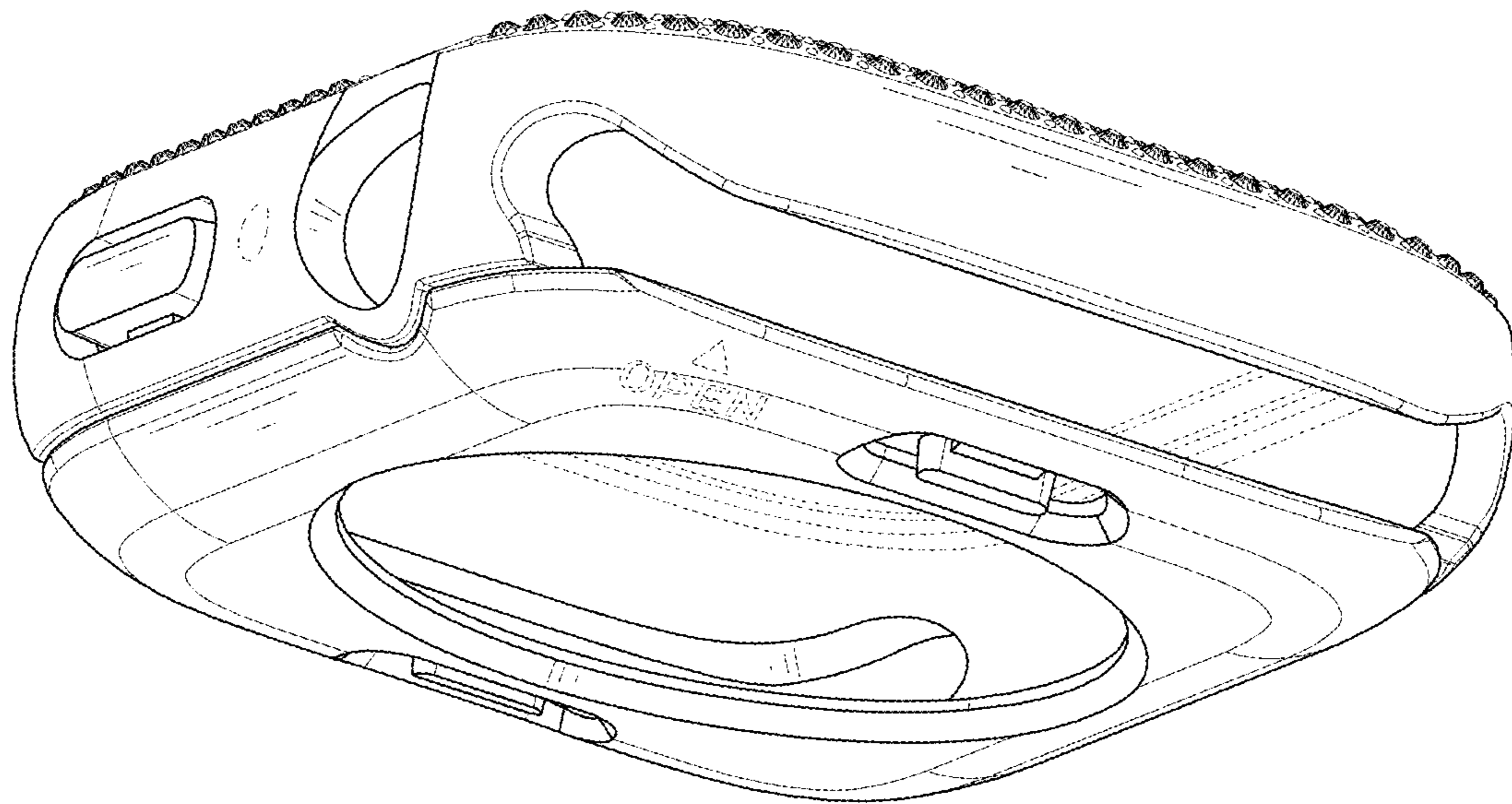


FIG. 12

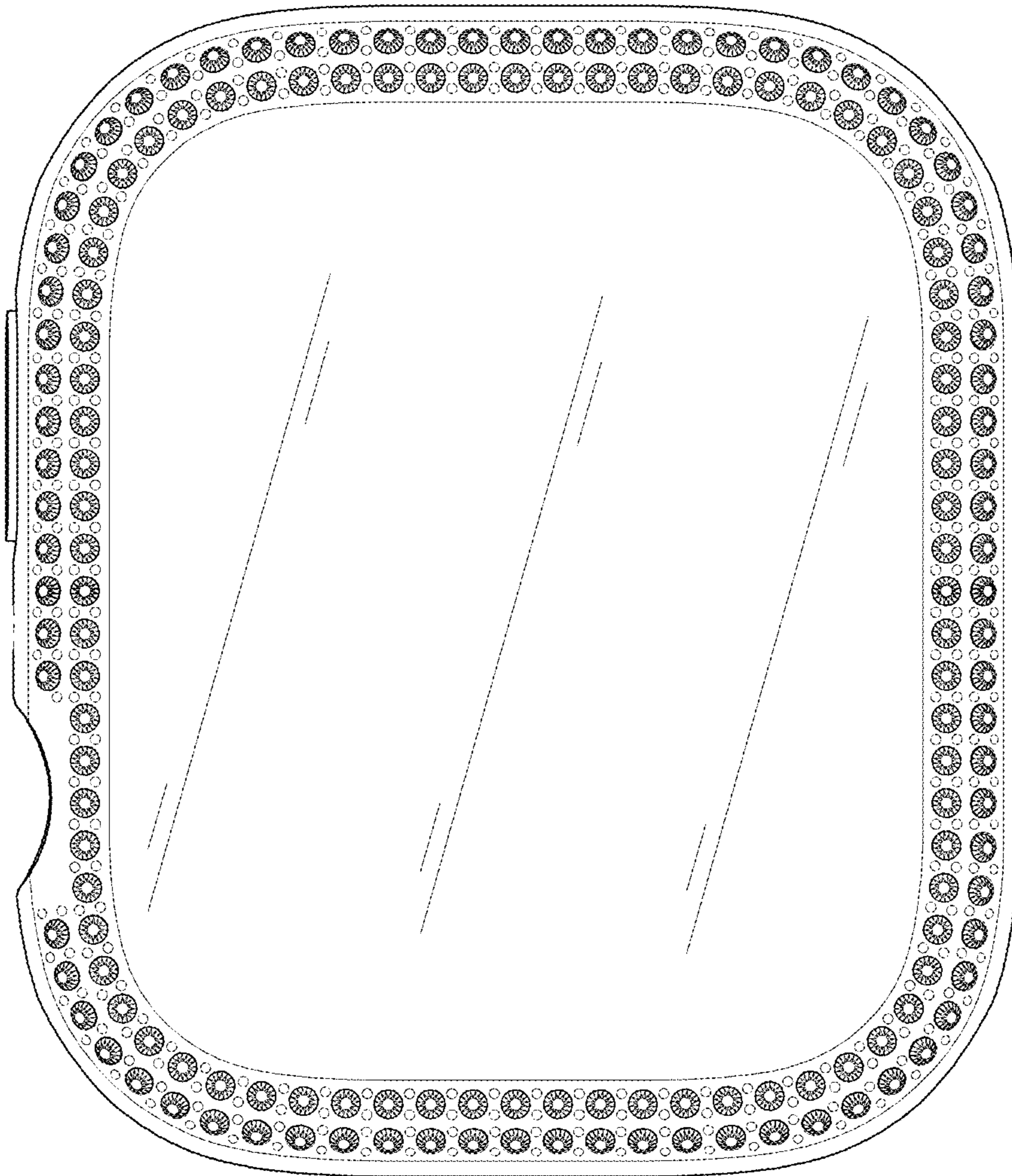


FIG. 13

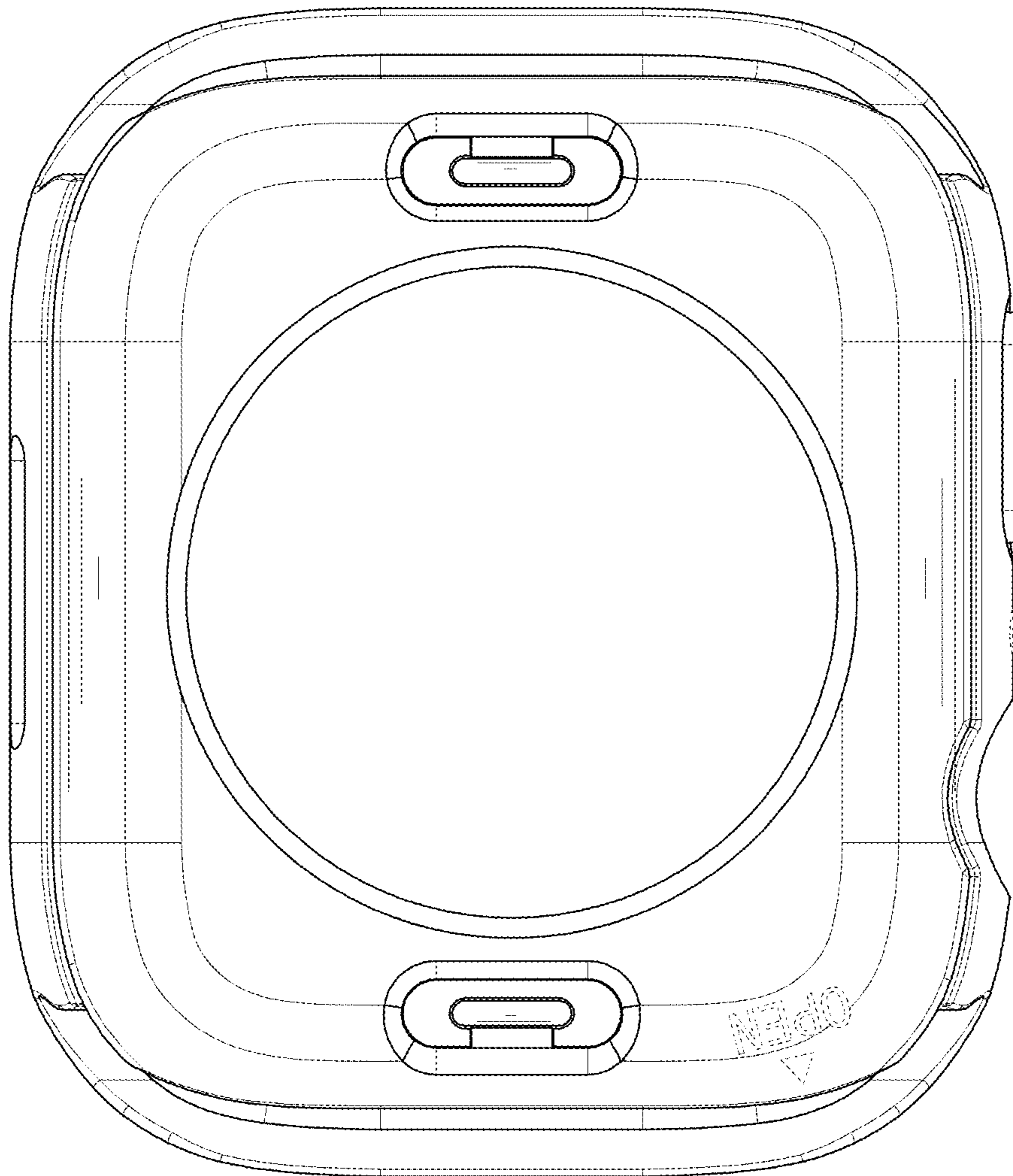


FIG. 14

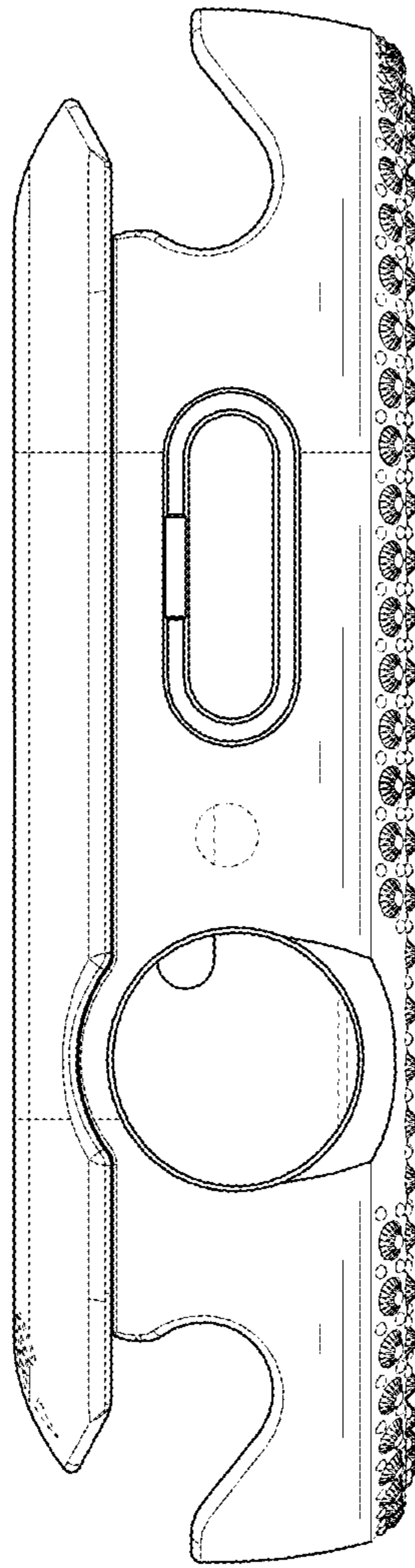


FIG. 15

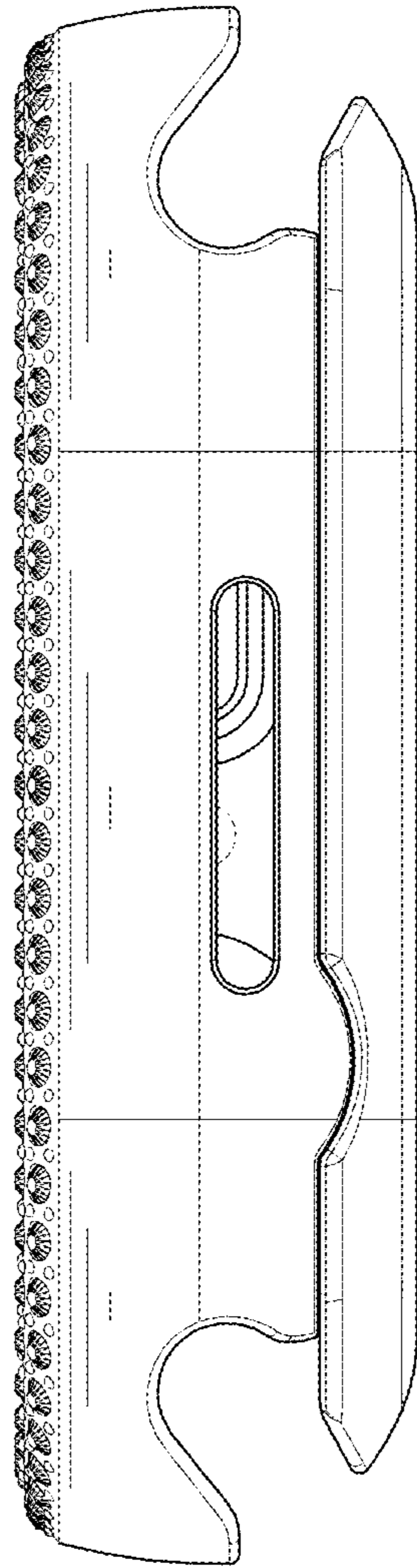


FIG. 16

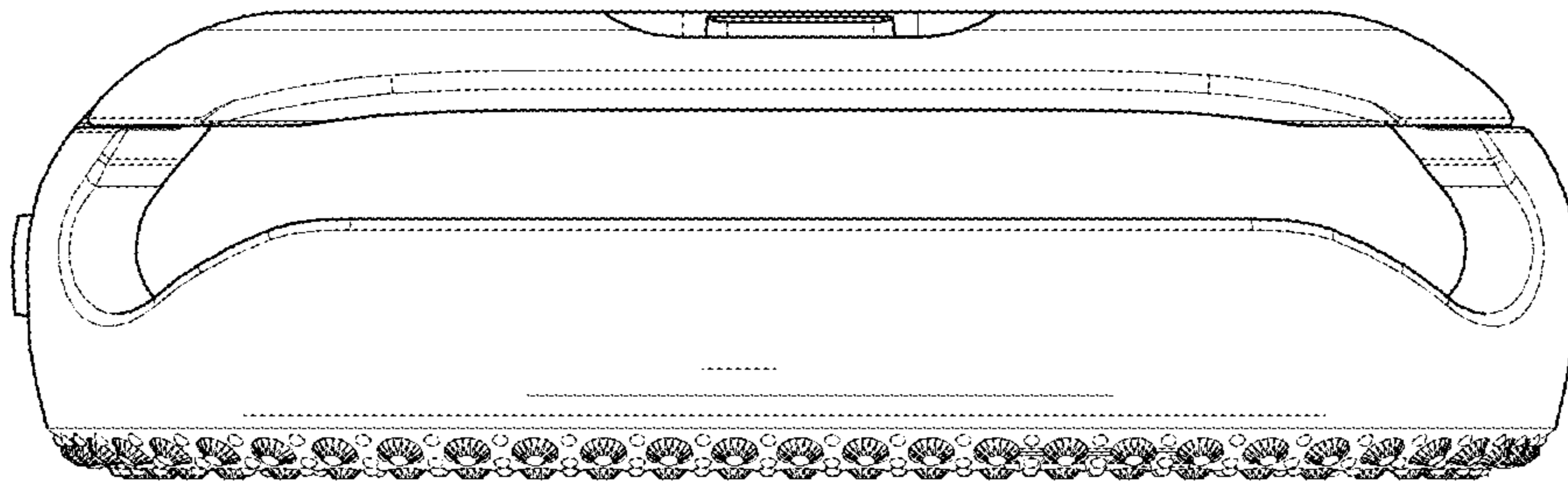


FIG. 17

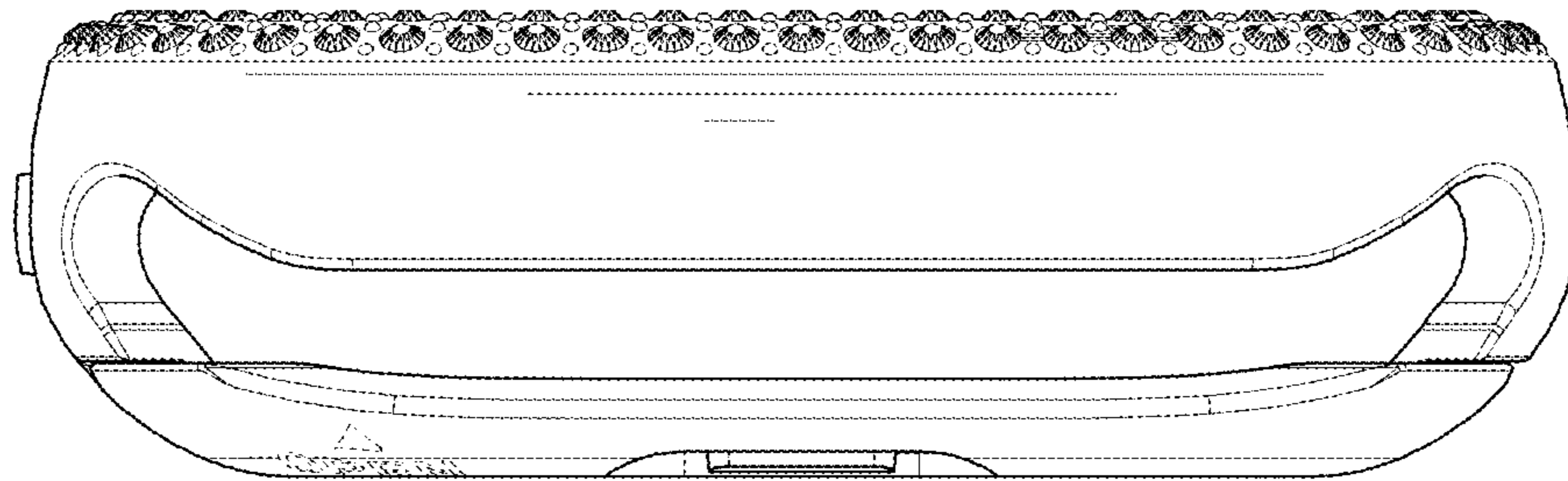


FIG. 18

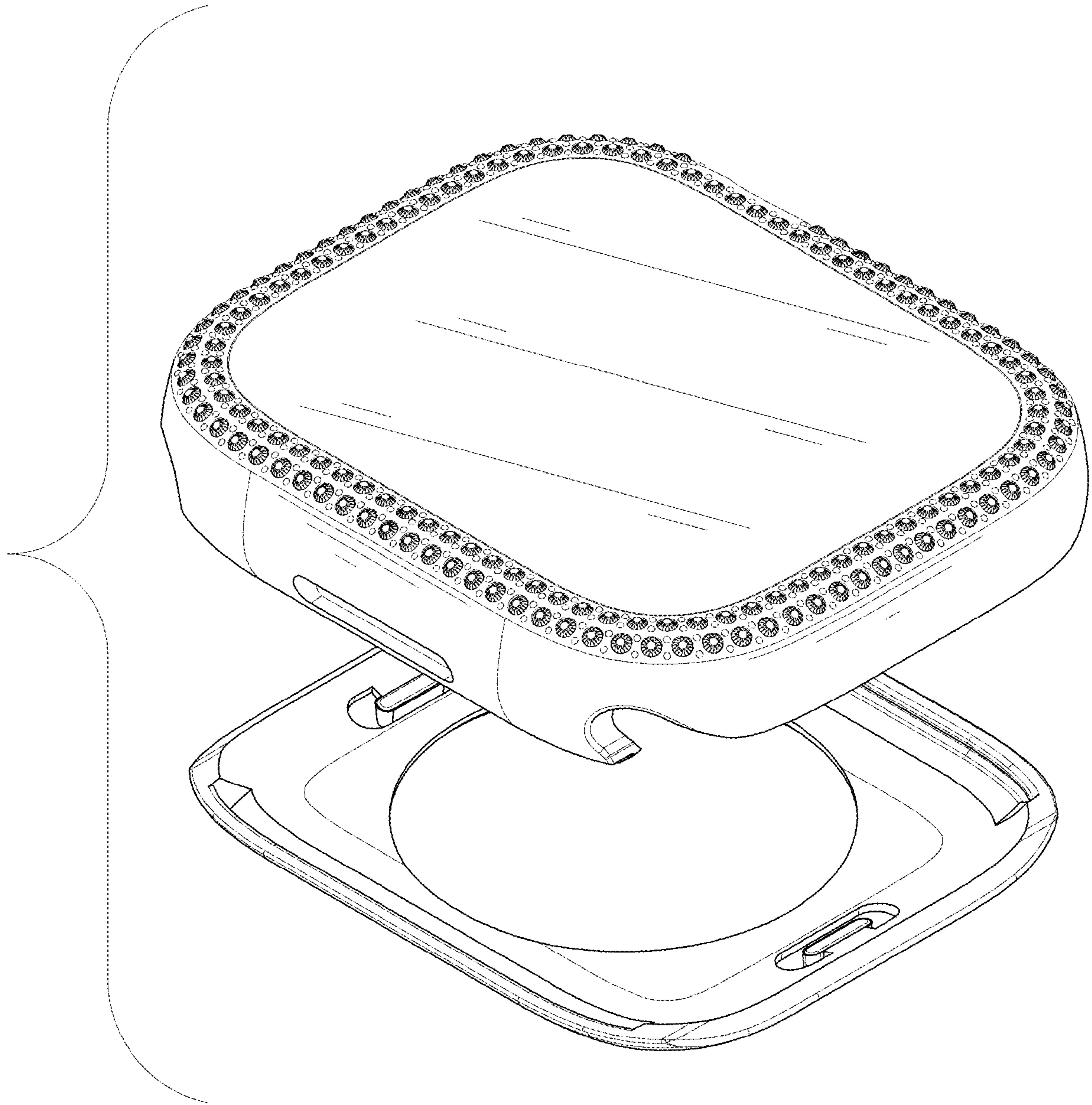


FIG. 19

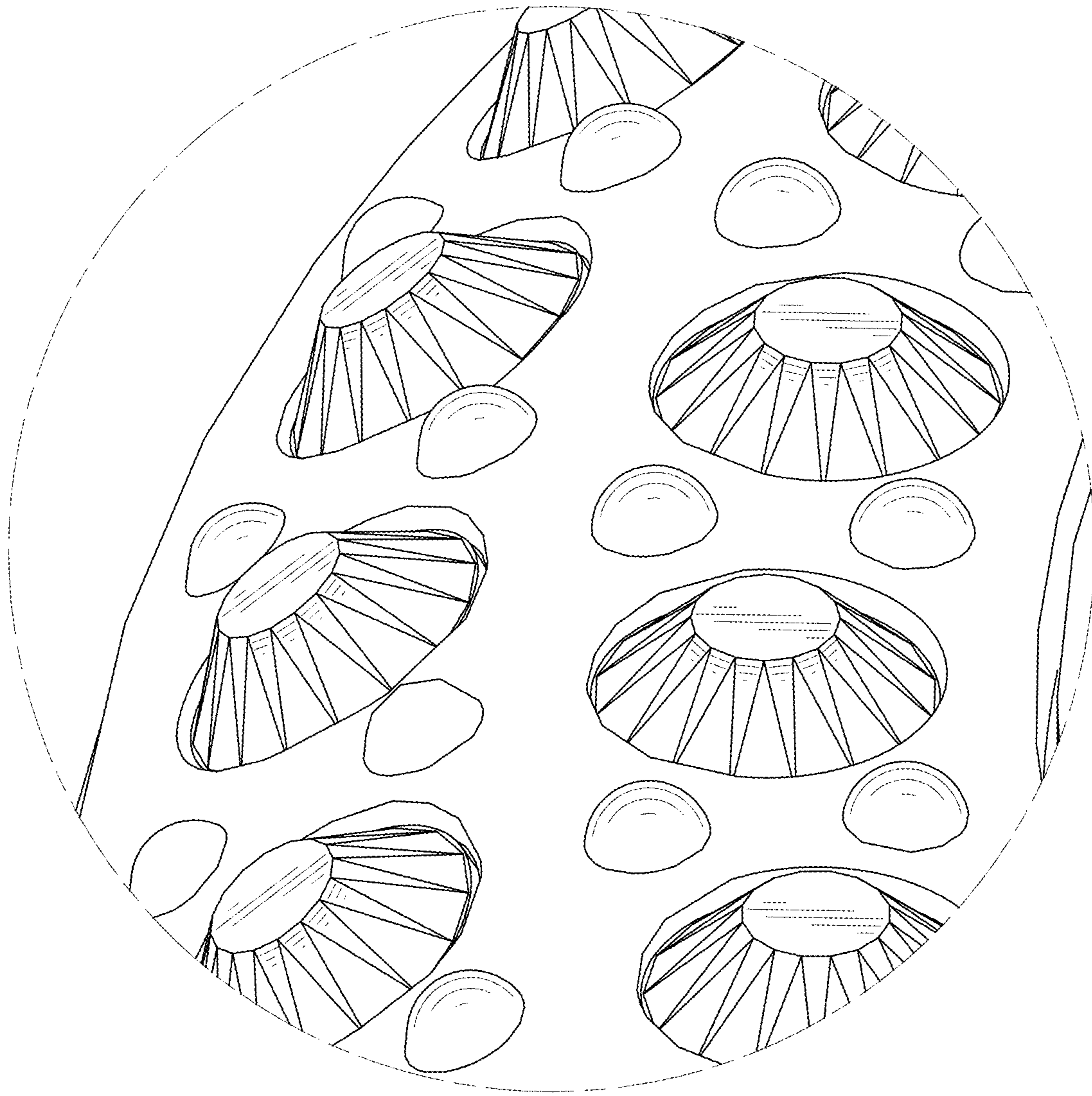


FIG. 20