



US00D981887S

(12) **United States Design Patent**  
**Huang**

(10) **Patent No.:** **US D981,887 S**

(45) **Date of Patent:** **\*\* Mar. 28, 2023**

(54) **WATCH CASE**  
(71) Applicant: **Xu Huang**, Yongzhou (CN)  
(72) Inventor: **Xu Huang**, Yongzhou (CN)  
(\*\*) Term: **15 Years**

D909,903 S \* 2/2021 Lin ..... D10/132  
D920,147 S \* 5/2021 Liu ..... D14/440  
D924,715 S \* 7/2021 Wright ..... D14/440  
D924,716 S \* 7/2021 Wright ..... D14/440

(21) Appl. No.: **29/819,364**

FOREIGN PATENT DOCUMENTS

(22) Filed: **Dec. 14, 2021**

CH 674604 A \* 6/1990 ..... G04B 37/0008  
CN 202130853468.6 \* 12/2021  
CN 202230065138.5 \* 5/2022  
GB 6175485 \* 11/2021

(51) **LOC (14) Cl.** ..... **10-07**

(52) **U.S. Cl.**  
USPC ..... **D10/132**

OTHER PUBLICATIONS

(58) **Field of Classification Search**  
USPC ..... D10/122, 125, 126, 30, 38, 132, 128;  
D14/440, 250, 217, 447, 344, 439, 432,  
D14/300  
CPC .. G04B 37/00; G04B 37/0008; G04B 37/005;  
G04B 37/22; G04B 37/18; G04B 37/20;  
G04B 37/116

Amazon, Fullife 3-pack Hard PC Screen Protector for Apple Watch, posted May 6, 2022, [online], [visited Aug. 24, 2022]. Internet, <URL; <https://www.amazon.co.uk/Fullife-Protector-Compatible-Shockproof-Transparent/dp/B09ZQ8XKR9/ref?th=1>> (Year: 2022).\*

(Continued)

See application file for complete search history.

Primary Examiner — Samantha Wood

(56) **References Cited**

(57) **CLAIM**

U.S. PATENT DOCUMENTS

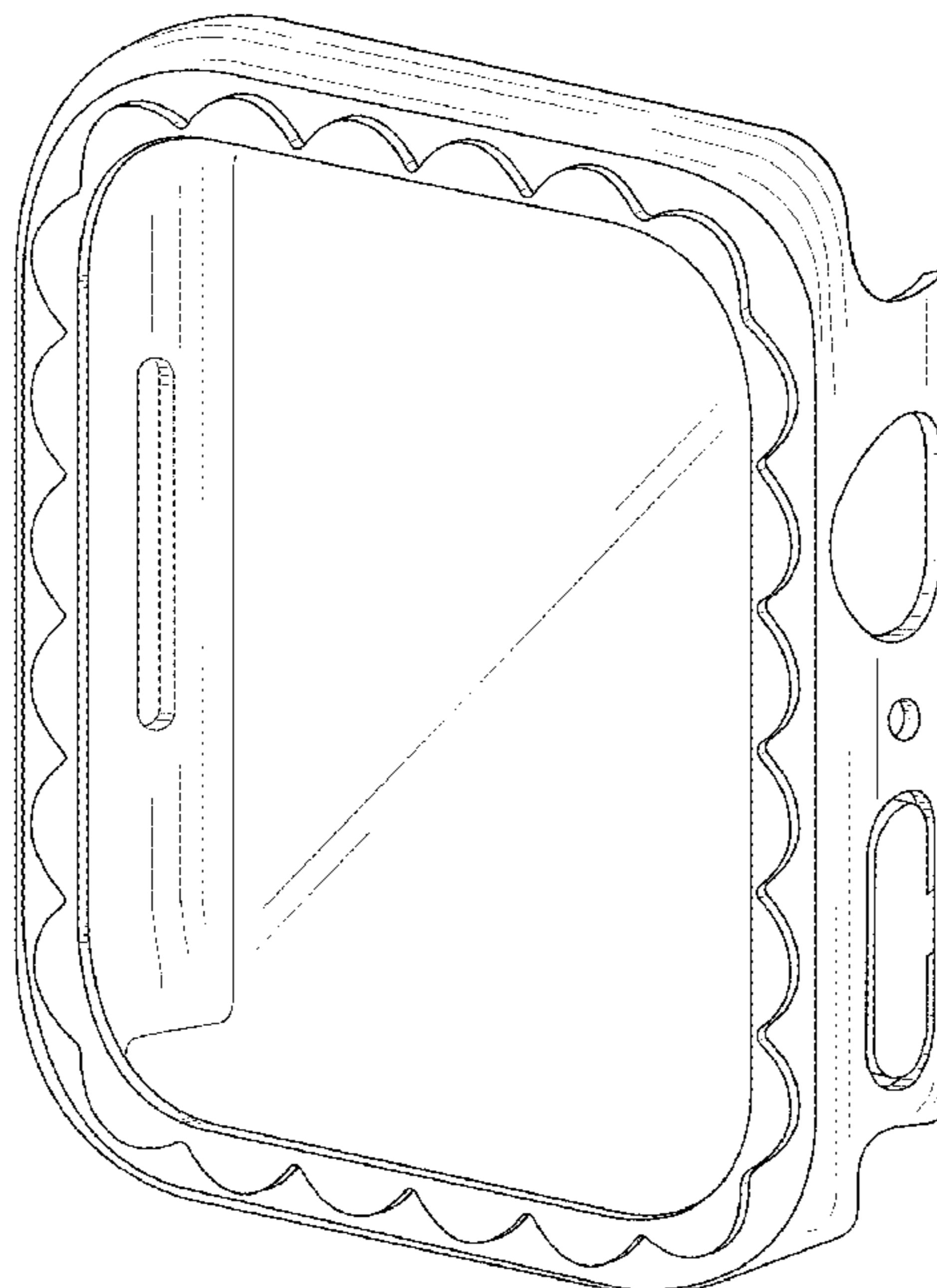
The ornamental design for a watch case, as shown and described.

D349,251 S \* 8/1994 Goto ..... D10/30  
D462,389 S \* 9/2002 Provence ..... D10/128  
D527,283 S \* 8/2006 De Witt ..... D10/38  
D664,448 S \* 7/2012 Graff ..... D10/38  
D688,967 S \* 9/2013 Wilson ..... D10/128  
D752,044 S \* 3/2016 Akana ..... D14/344  
D769,869 S \* 10/2016 Zhou ..... D10/70  
D834,953 S \* 12/2018 Agayev ..... D10/30  
D853,878 S \* 7/2019 Wright ..... D10/128  
D877,153 S \* 3/2020 Peng ..... D14/440  
D885,229 S \* 5/2020 Kim ..... D10/132  
D888,710 S \* 6/2020 Yun ..... D14/344  
D896,676 S \* 9/2020 Lardi ..... D10/128  
D897,350 S \* 9/2020 Wang ..... D14/440  
D903,508 S 12/2020 Zhang

**DESCRIPTION**

FIG. 1 is a top, front and right perspective view of a watch case showing my new design;  
FIG. 2 is a bottom, rear and left perspective view thereof;  
FIG. 3 is a front view thereof;  
FIG. 4 is a rear view thereof;  
FIG. 5 is a left side view thereof;  
FIG. 6 is a right side view thereof;  
FIG. 7 is a top plan view thereof; and,  
FIG. 8 is a bottom plan view thereof.

**1 Claim, 8 Drawing Sheets**



(56)

**References Cited**

OTHER PUBLICATIONS

Amazon, NewWays Bling Cases for Apple Watch, posted Jan. 6, 2020, [online], [visited Aug. 24, 2022]. Internet, <URL: <https://www.amazon.com/NewWays-Compatible-Protective-Bumper-iWatch/dp/B083J23WT9/ref?th=1>> (Year: 2020).\*

Amazon, GagaBang Bling Bumper case for Apple Watch, posted May 17, 2022, [online], [visited Aug. 24, 2022]. Internet, <URL: <https://www.amazon.com/GagaBang-Compatible-Diamond-Protective-Protector/dp/B09YSZ2YTY/ref?th=1>> (Year: 2022).\*

\* cited by examiner

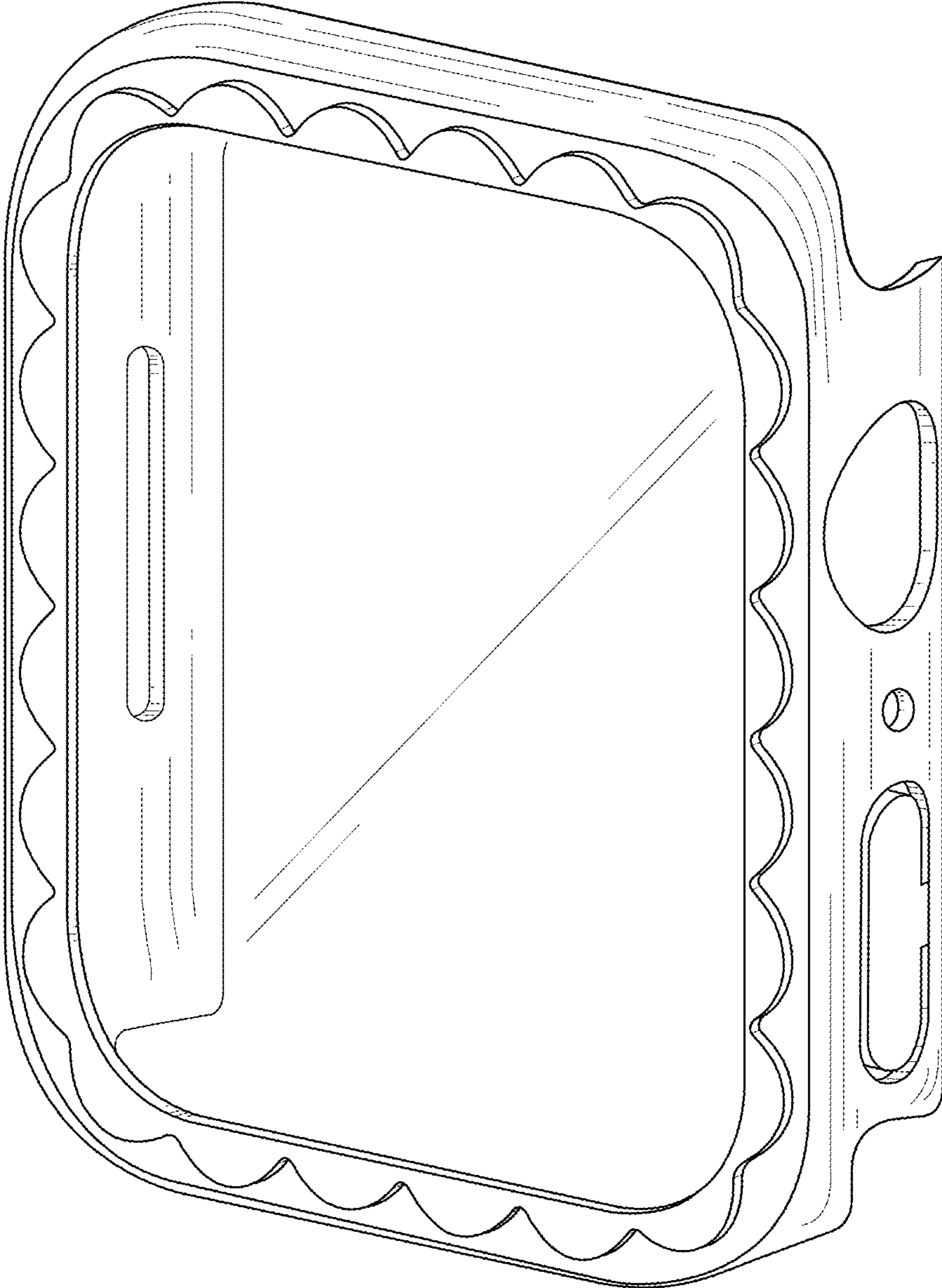


FIG. 1

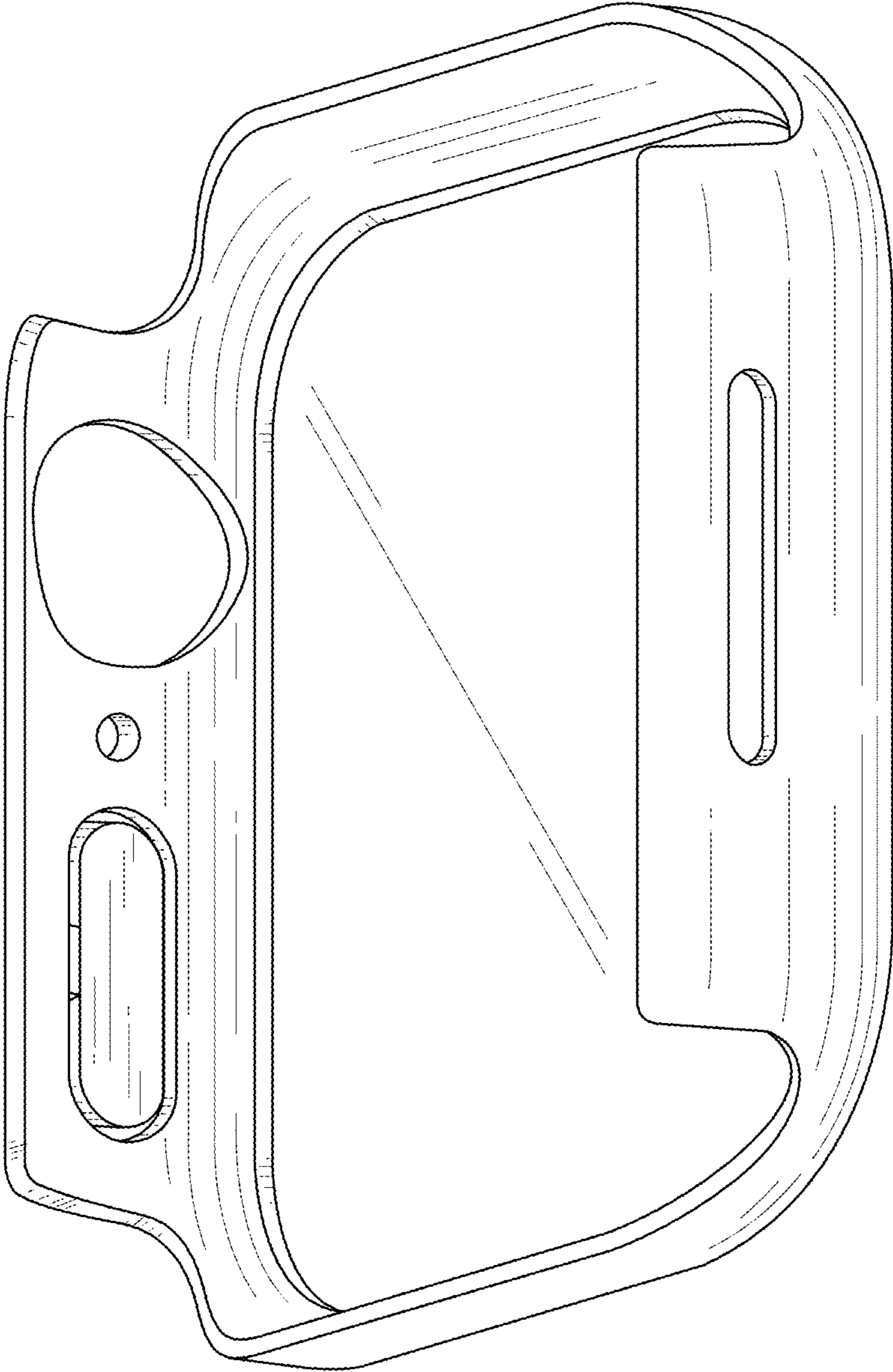


FIG. 2

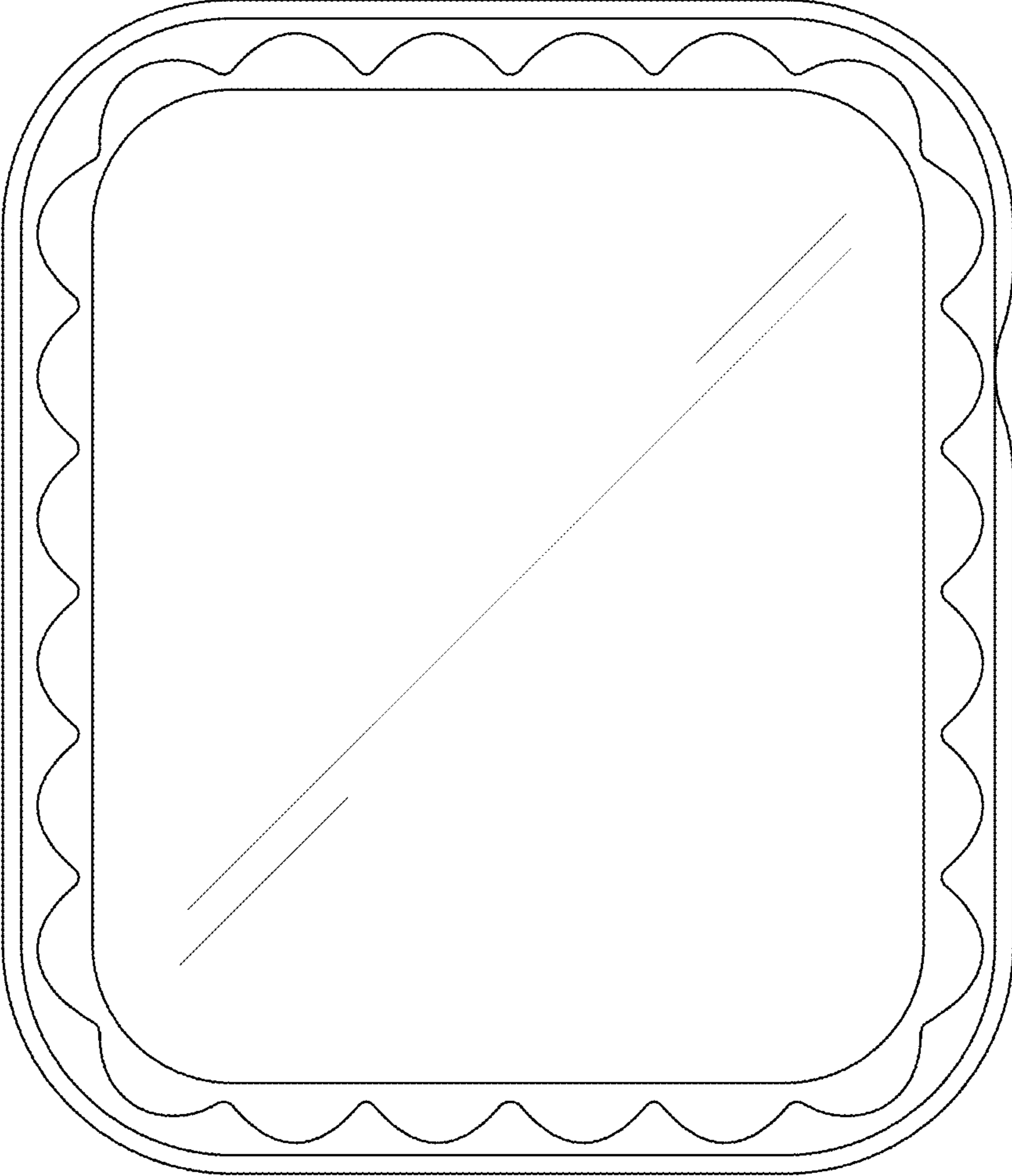


FIG. 3

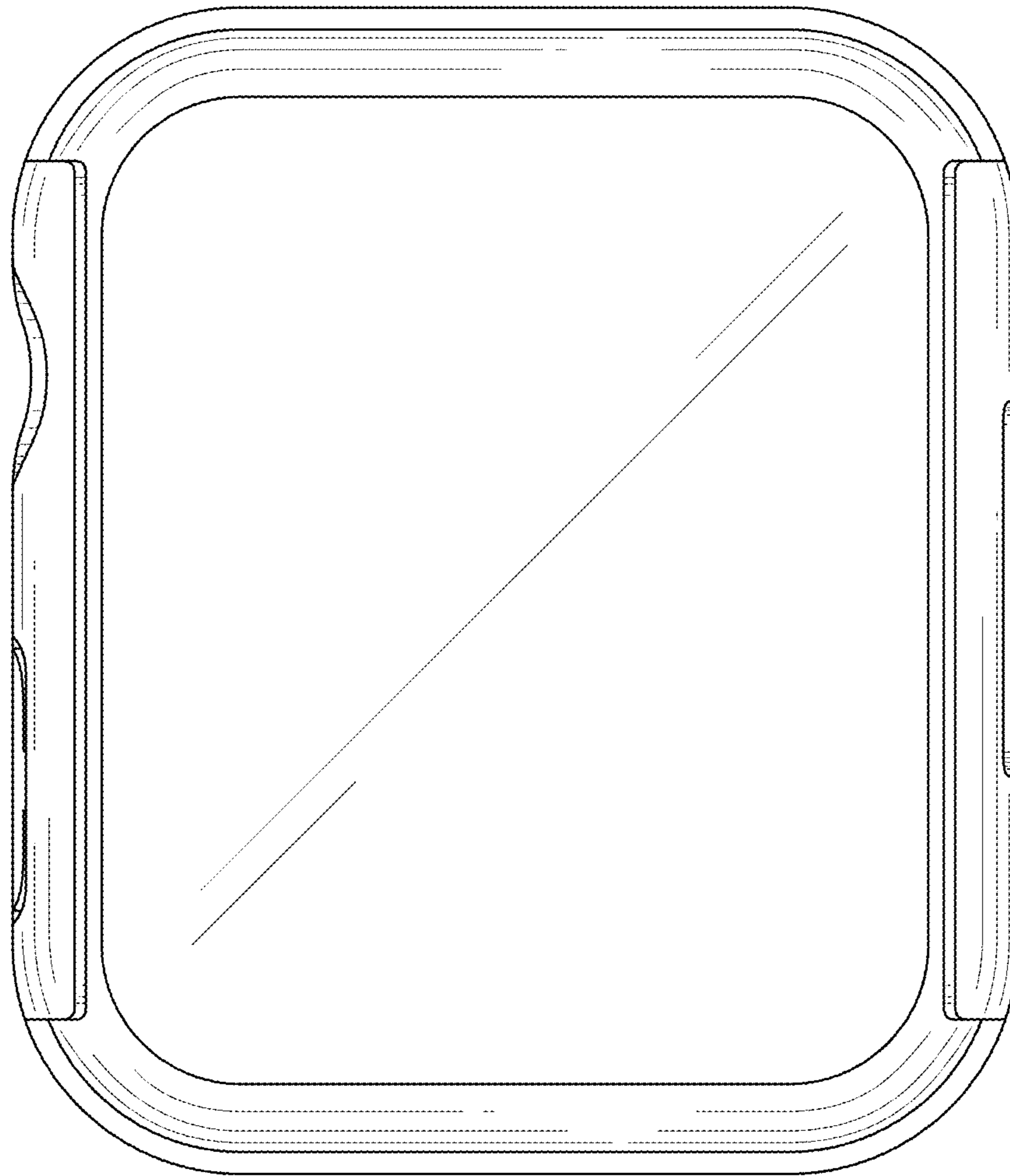


FIG. 4

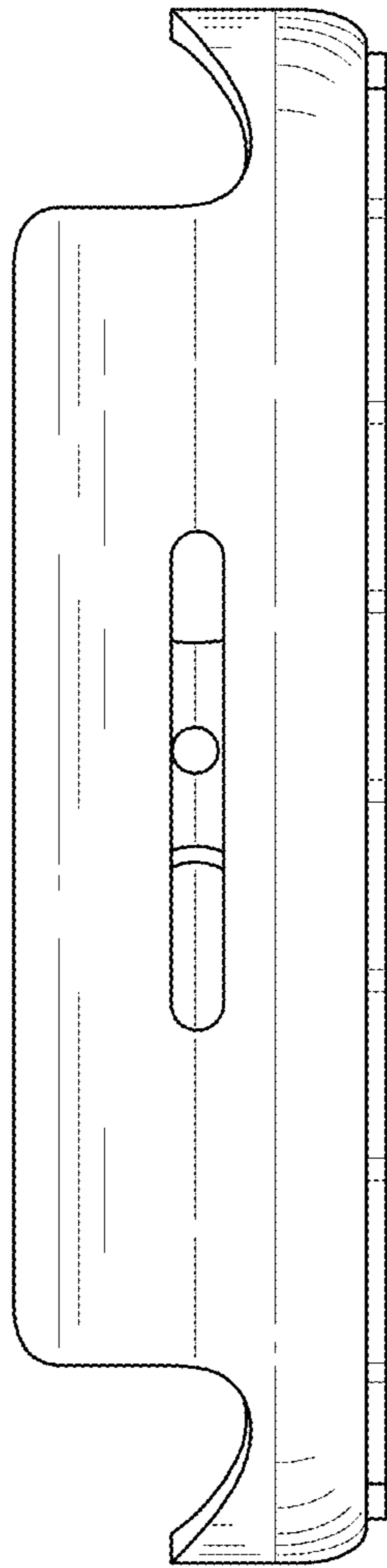


FIG. 5

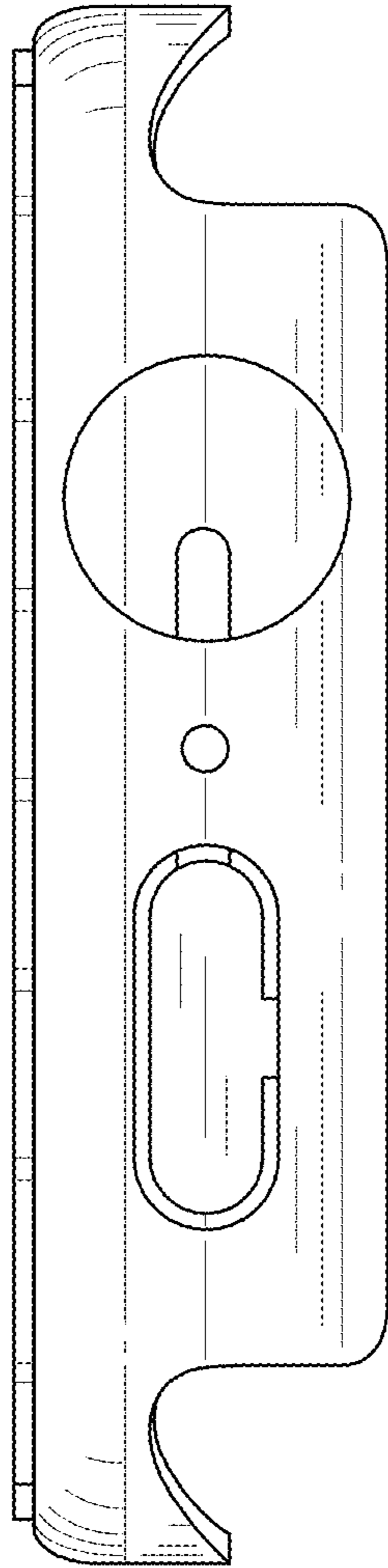


FIG. 6



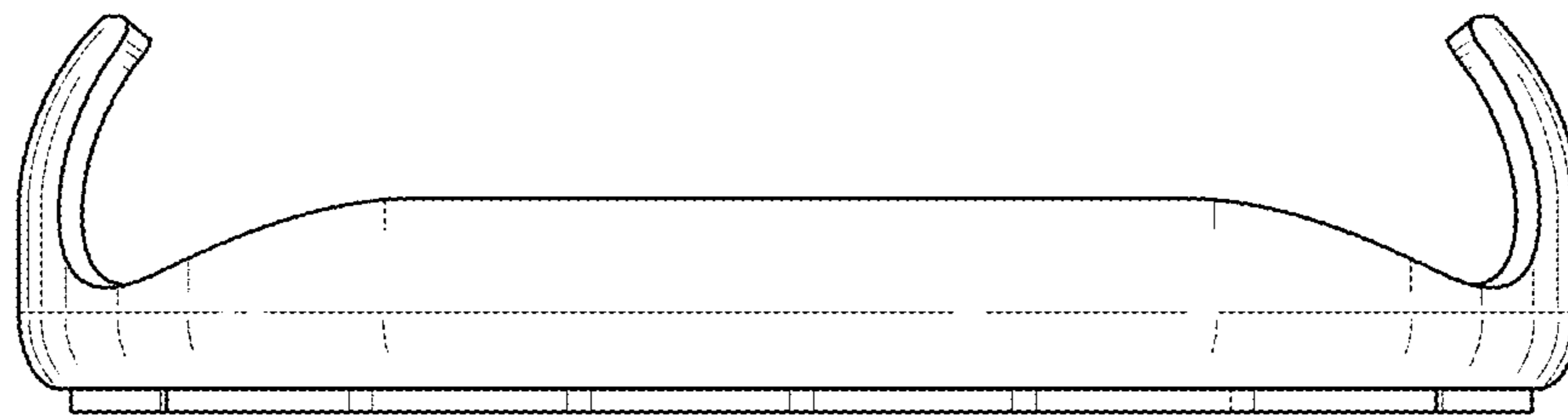


FIG. 7

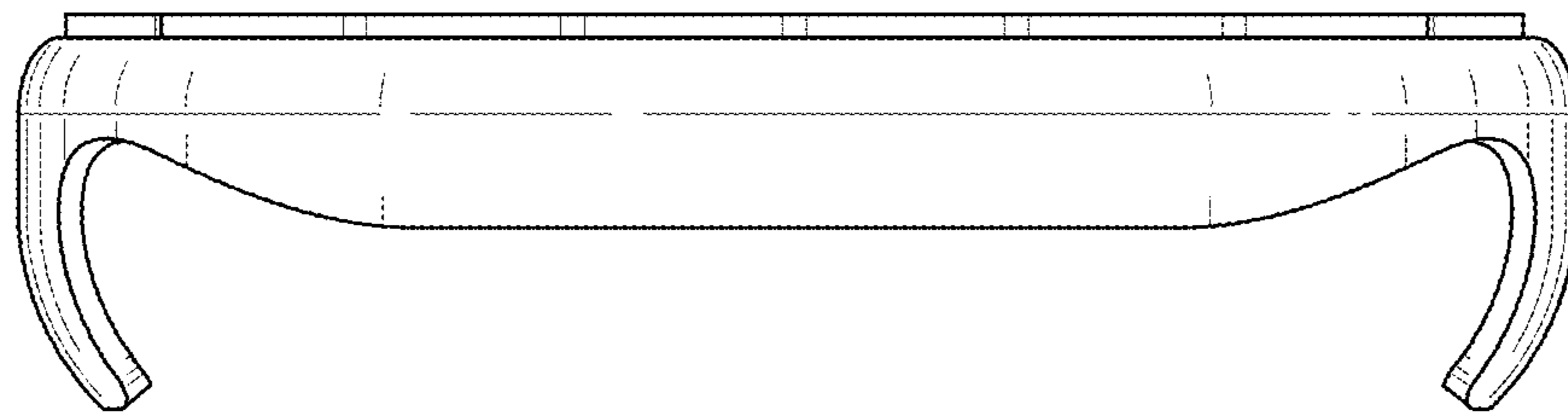


FIG. 8