



US00D981885S

(12) **United States Design Patent** (10) **Patent No.:** **US D981,885 S**
Liu (45) **Date of Patent:** **** Mar. 28, 2023**

(54) **WIRELESS DOORBELL SET**

(71) Applicant: **Shuqiang Liu**, Guangdong (CN)

(72) Inventor: **Shuqiang Liu**, Guangdong (CN)

(**) Term: **15 Years**

(21) Appl. No.: **29/748,945**

(22) Filed: **Sep. 2, 2020**

(51) **LOC (14) Cl.** **10-05**

(52) **U.S. Cl.**
USPC **D10/118.2**

(58) **Field of Classification Search**
USPC D10/106.6, 106.7, 106.8, 116.1, 118,
D10/118.1, 118.2, 121-124, 126;
D13/171, 174; D14/358; D16/202, 203,
D16/208, 209, 215
CPC . A63H 30/00; G08B 3/00; G08B 7/00; G08B
13/1436; G10K 1/00; G10K 3/00
See application file for complete search history.

(56) **References Cited**

U.S. PATENT DOCUMENTS

D645,004 S *	9/2011	Menheere	D13/171
D754,767 S *	4/2016	Sandy	D16/202
D778,755 S *	2/2017	Yang	D10/118.2
D788,603 S *	6/2017	Liu	D10/49
D800,005 S *	10/2017	Wong	D10/118.2
D821,374 S *	6/2018	Jun	D14/242
D828,342 S *	9/2018	Chen	D14/240
D834,569 S *	11/2018	Moon	D14/242
D864,005 S *	10/2019	Lee	D10/106.6
10,445,991 B1 *	10/2019	Wong	G08B 3/10

(Continued)

FOREIGN PATENT DOCUMENTS

CN	201230537739	*	1/2013
CN	202130556741.9	*	1/2022

(Continued)

OTHER PUBLICATIONS

Amicoson, reviewed on Feb. 8, 2021 on amazon.com, retrieved from the internet Aug. 1, 2022. <URL: https://www.amazon.com/Wireless-Amicoson-Waterproof-Qperating-Adjustable/dp/B08KFX3LN6/ref=sr_1_5> (Year: 2021).*

Primary Examiner — Joseph Kukella
Assistant Examiner — Heather Ann Laaveg Wencil

(57) **CLAIM**

The ornamental design for a wireless doorbell set, as shown and described.

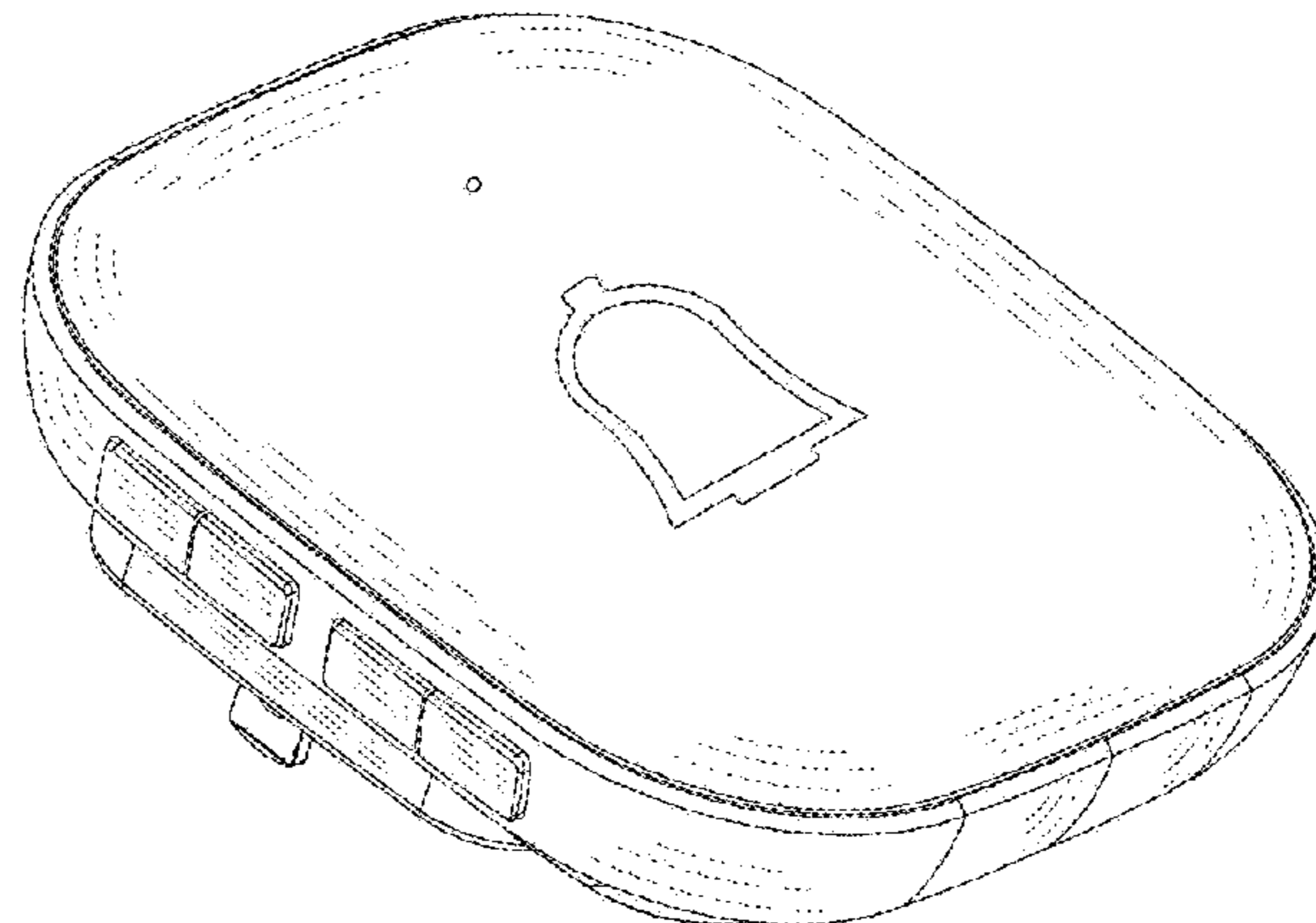
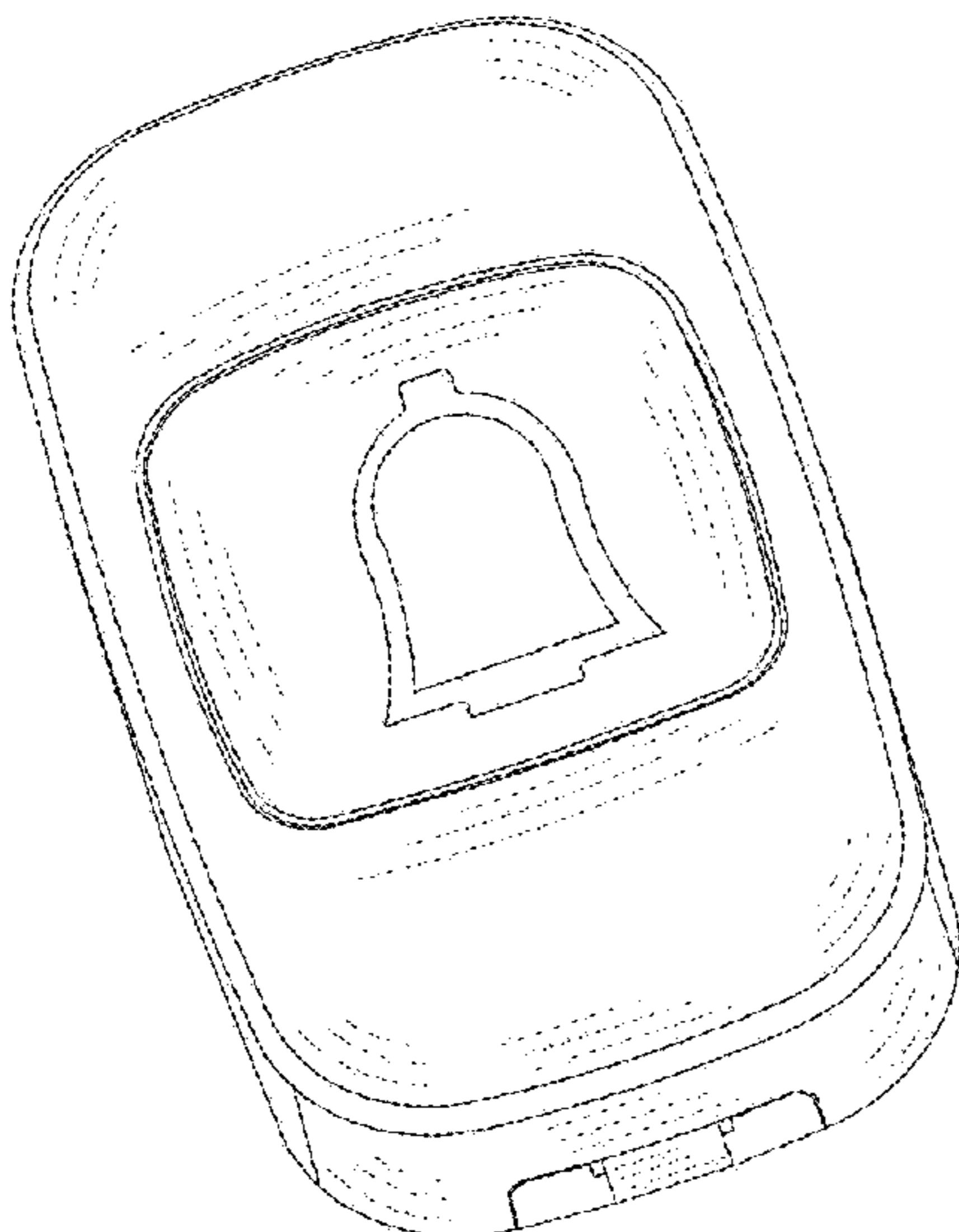
DESCRIPTION

FIG. 1 is a front perspective view of a receiver part of my design for a wireless doorbell set;
FIG. 2 is a rear perspective view thereof;
FIG. 3 is a front elevation view thereof;
FIG. 4 is a rear elevation view thereof;
FIG. 5 is a left side elevation view thereof;
FIG. 6 is a right side elevation view thereof;
FIG. 7 is a top plan view thereof;
FIG. 8 is a bottom plan view thereof;
FIG. 9 is a front perspective view of a transmitter part of my design for a wireless doorbell set;
FIG. 10 is a rear perspective view thereof;
FIG. 11 is a front elevation view thereof;
FIG. 12 is a rear elevation view thereof;
FIG. 13 is a left side elevation view thereof;
FIG. 14 is a right side elevation view thereof;
FIG. 15 is a top plan view thereof;
FIG. 16 is a bottom plan view thereof; and,
FIG. 17 is an elevation view of the wireless doorbell set, shown in a configuration of use, showing the receiver and the transmitter arranged on opposing sides of the outer wall of a structure.

The broken lines shown in FIG. 17 illustrate Environmental structure.

The broken lines form no part of the claimed design.

1 Claim, 17 Drawing Sheets



(56)

References Cited

U.S. PATENT DOCUMENTS

D867,918 S * 11/2019 Wong G08B 3/10
D10/118.2
D883,830 S * 5/2020 Wang D10/106.1
D883,965 S * 5/2020 Huang D14/240
D890,011 S * 7/2020 Wangdong D10/118
D931,480 S * 9/2021 Pi D24/206

FOREIGN PATENT DOCUMENTS

CN 202130556745.7 * 1/2022
CN 202130556772.4 * 1/2022
GB 6112461 * 1/2021

* cited by examiner

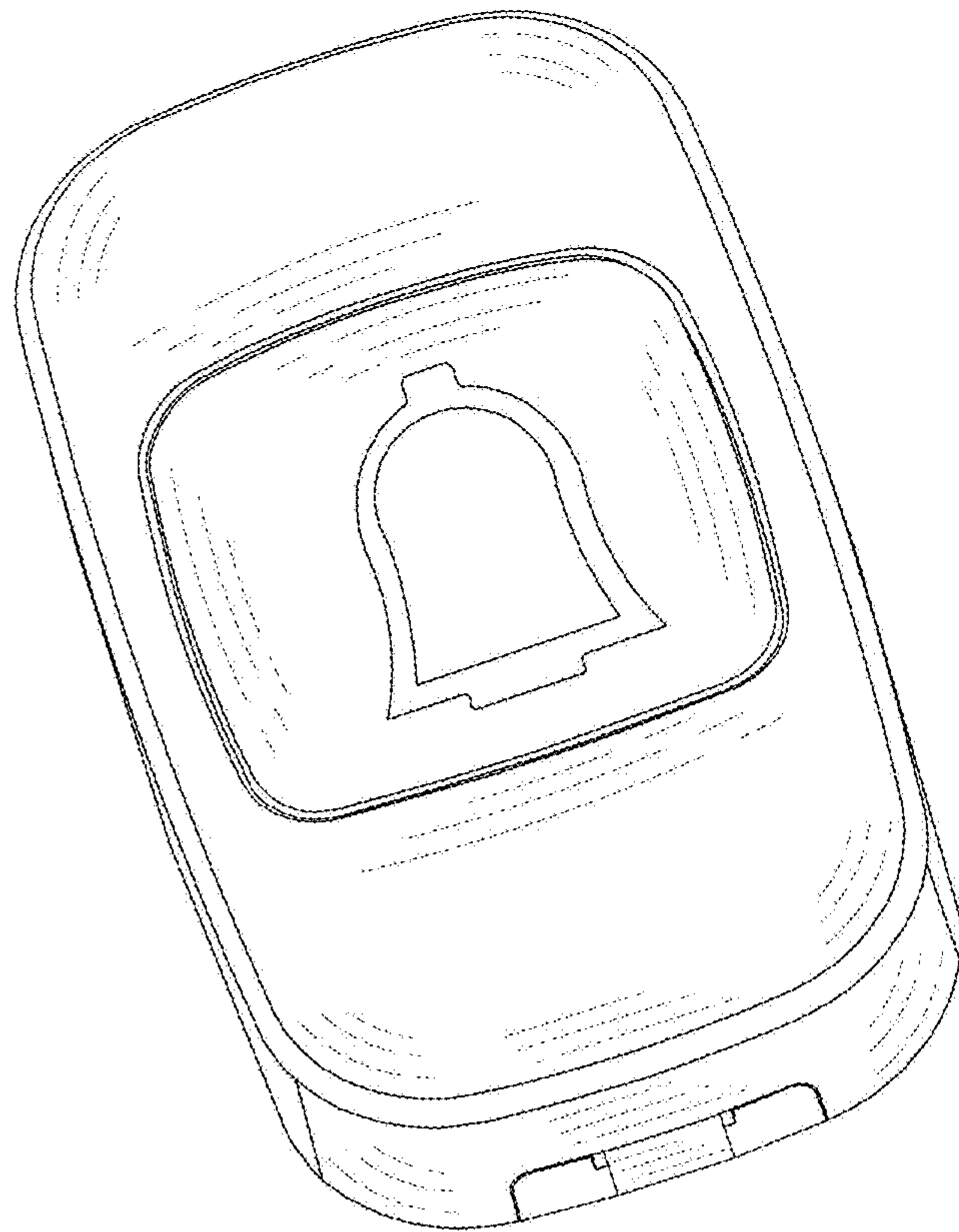


FIG.1

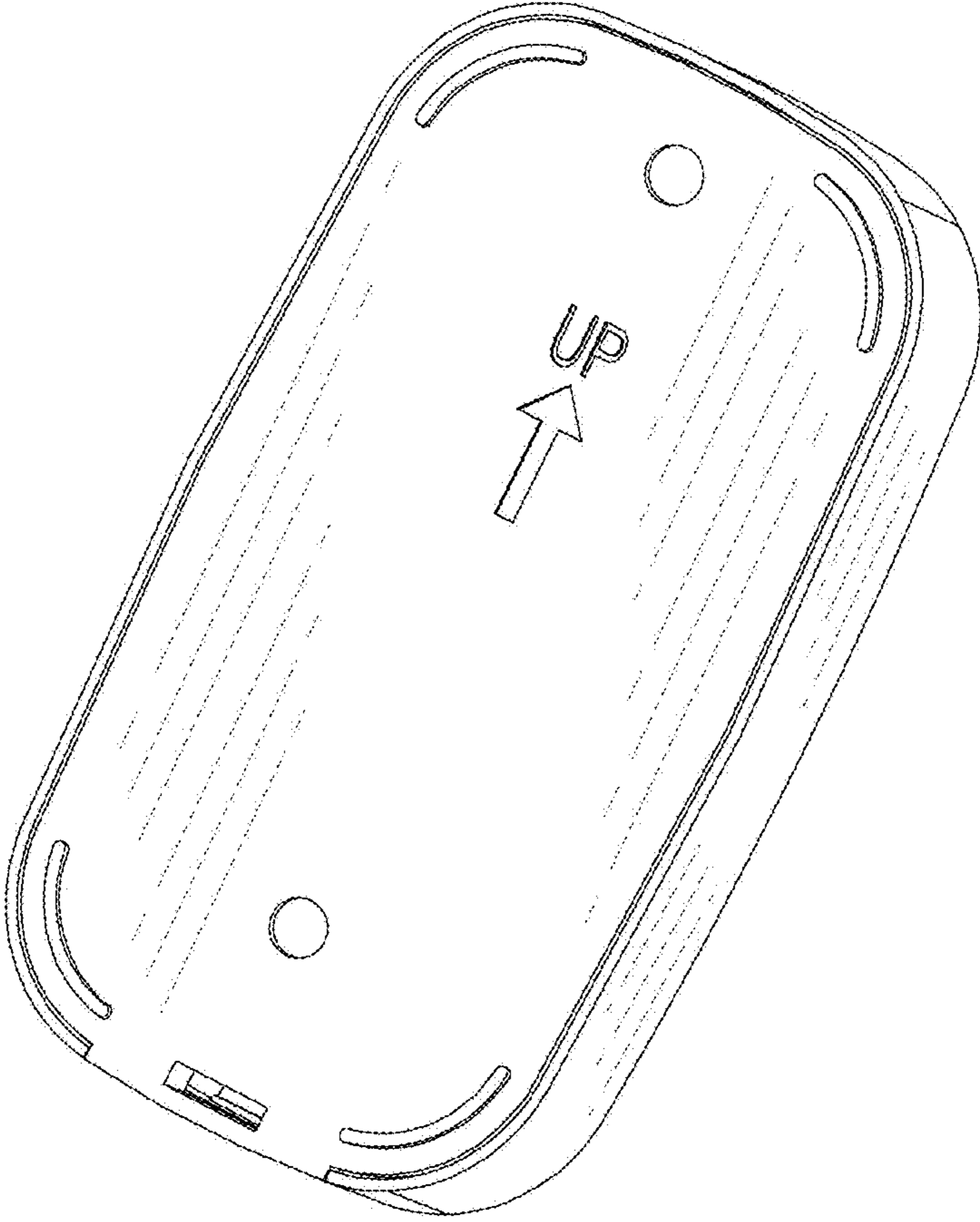


FIG.2

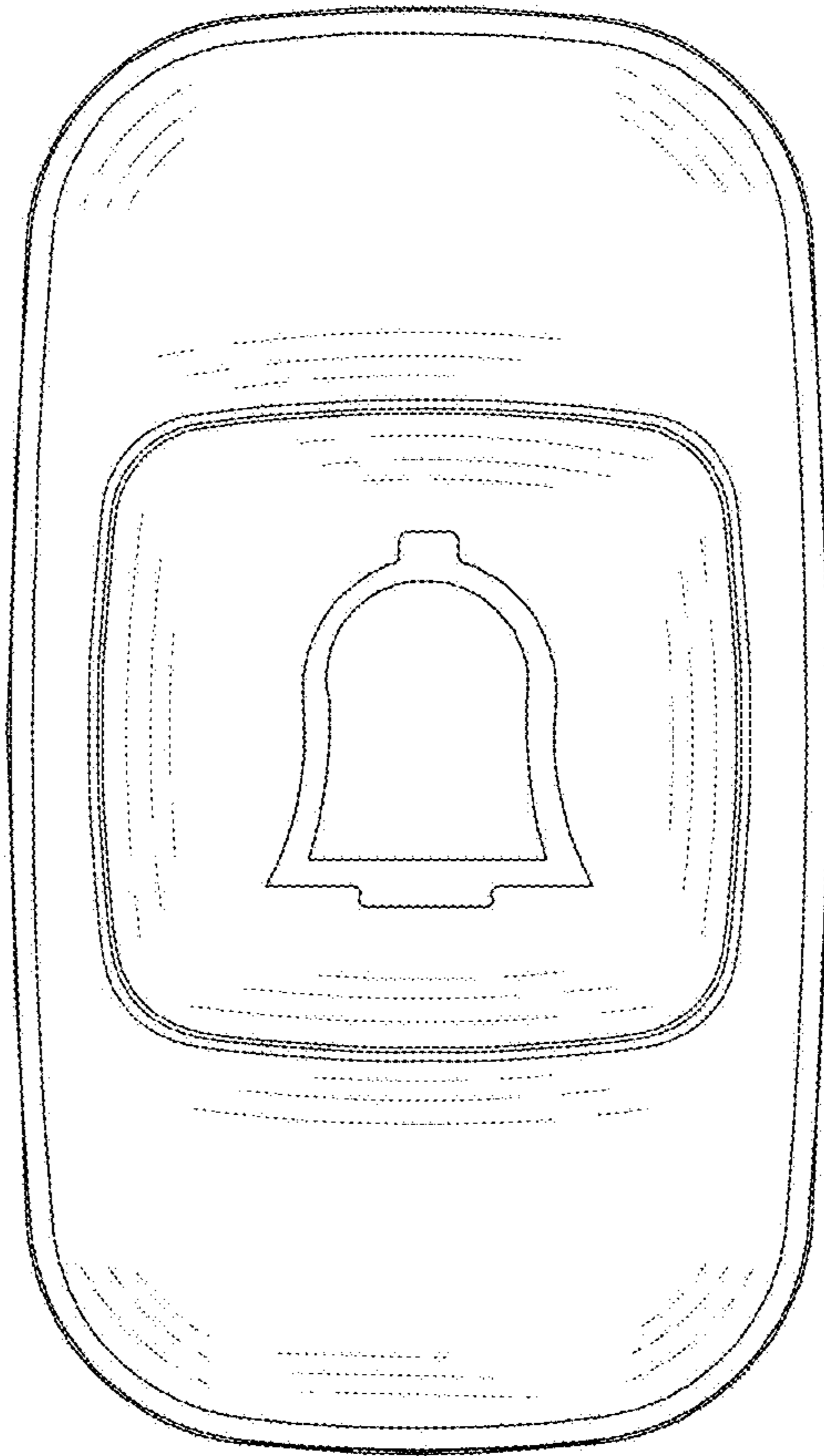


FIG.3

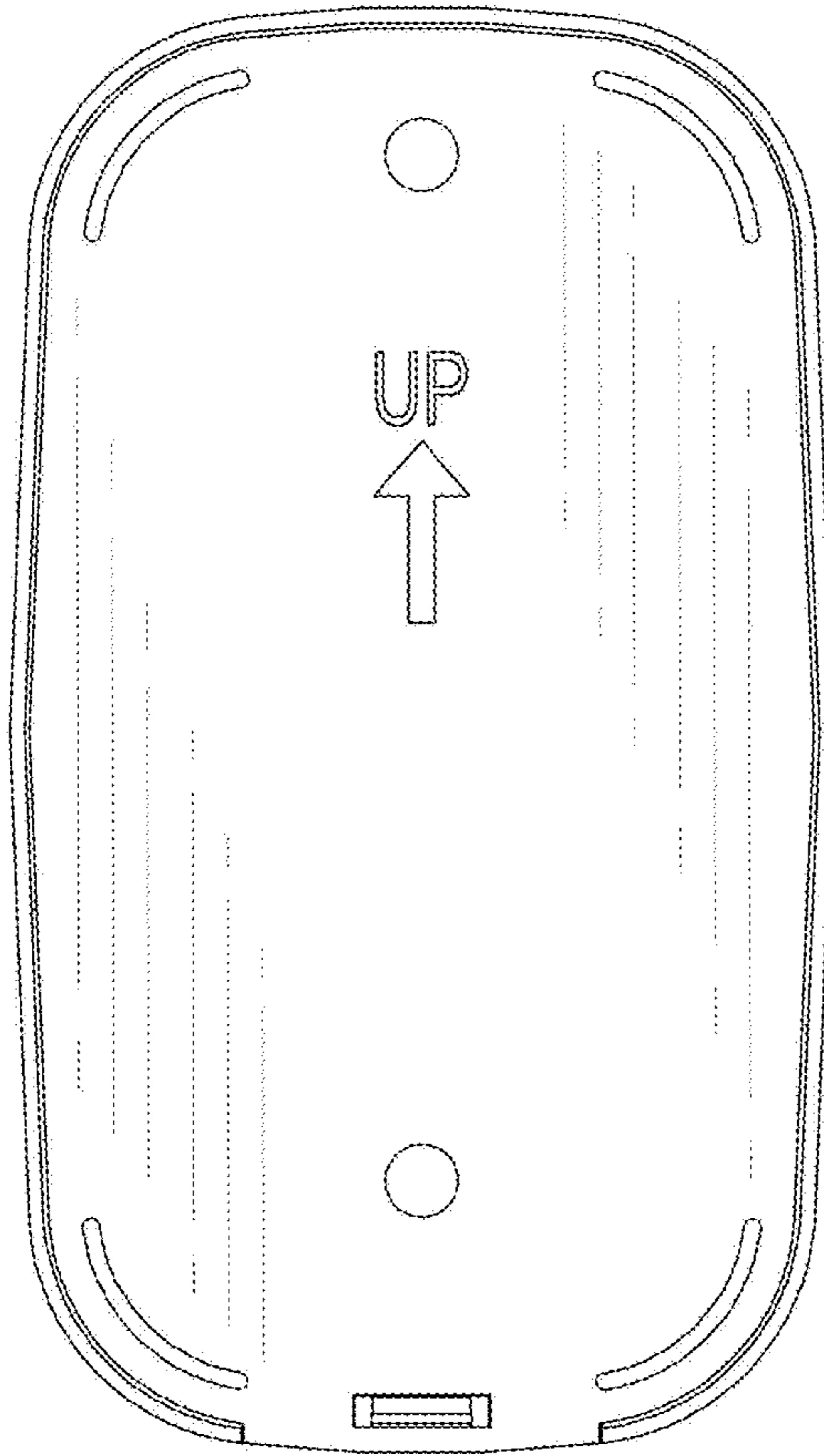


FIG.4

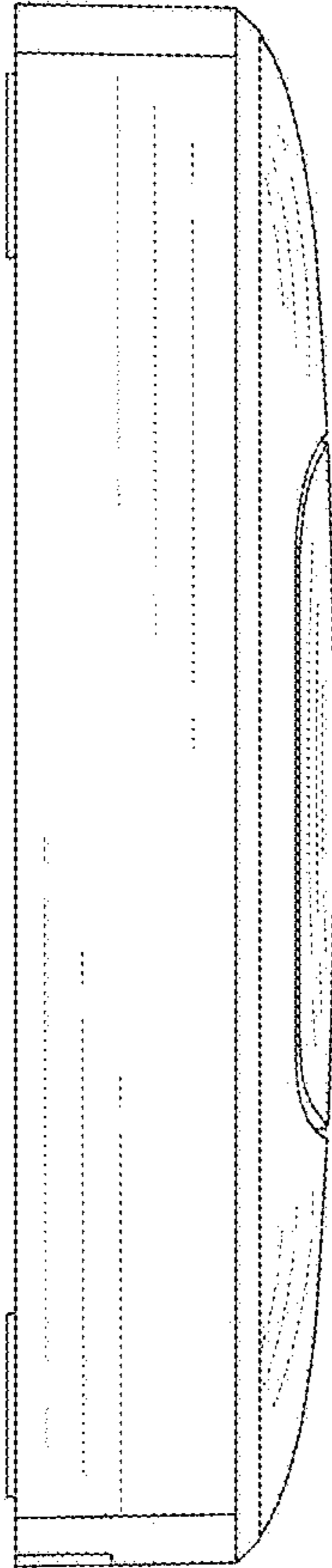


FIG.5

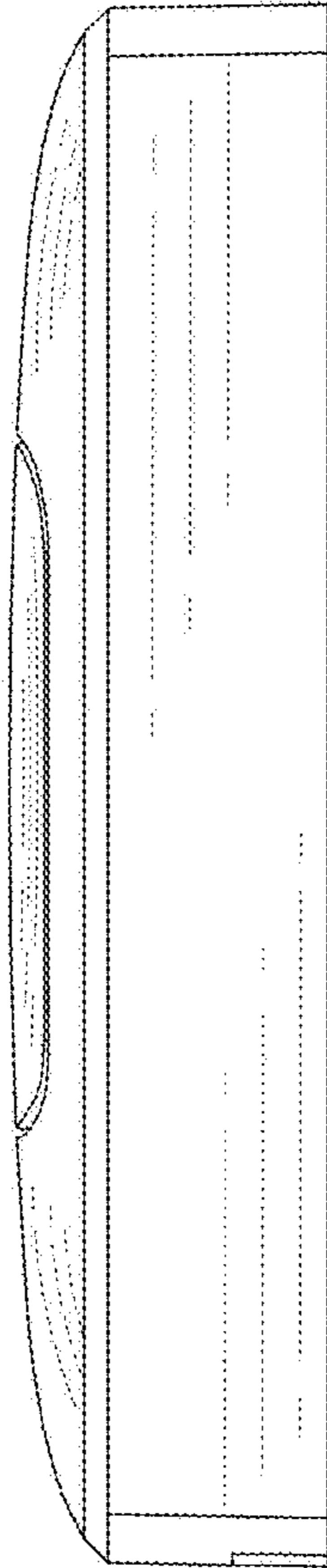


FIG.6

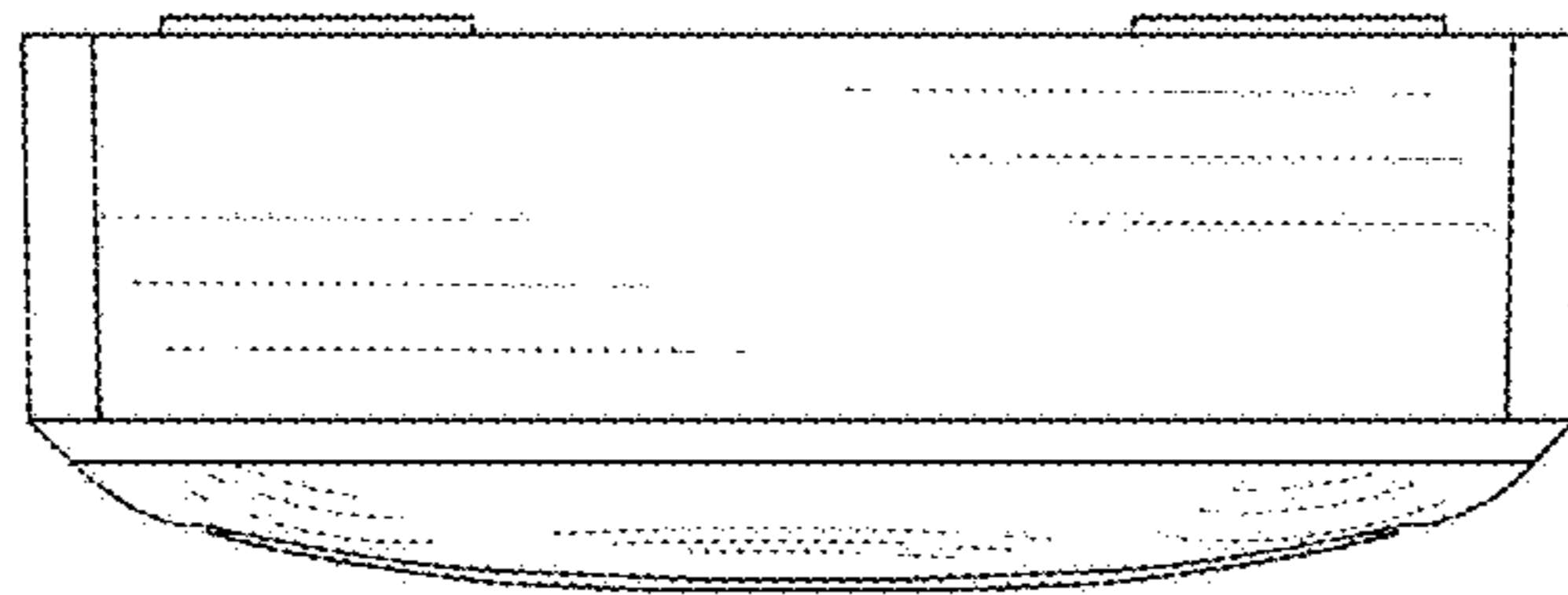


FIG. 7

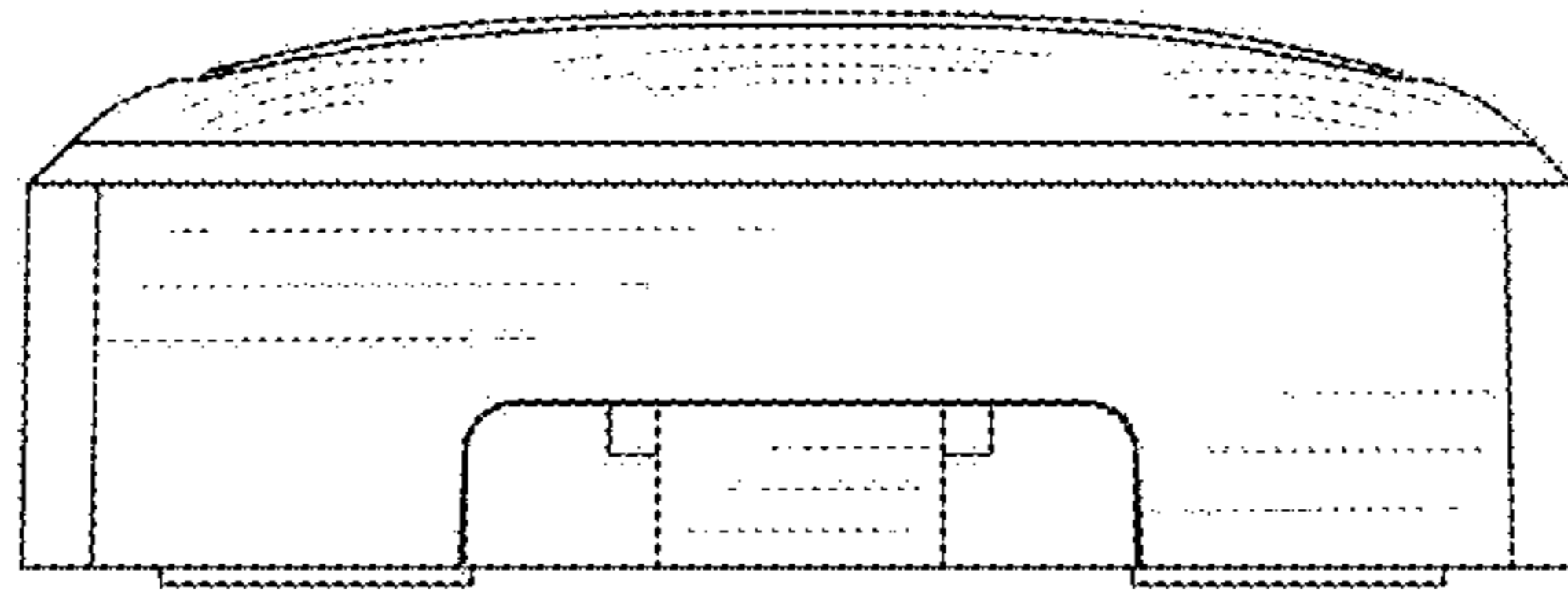


FIG. 8

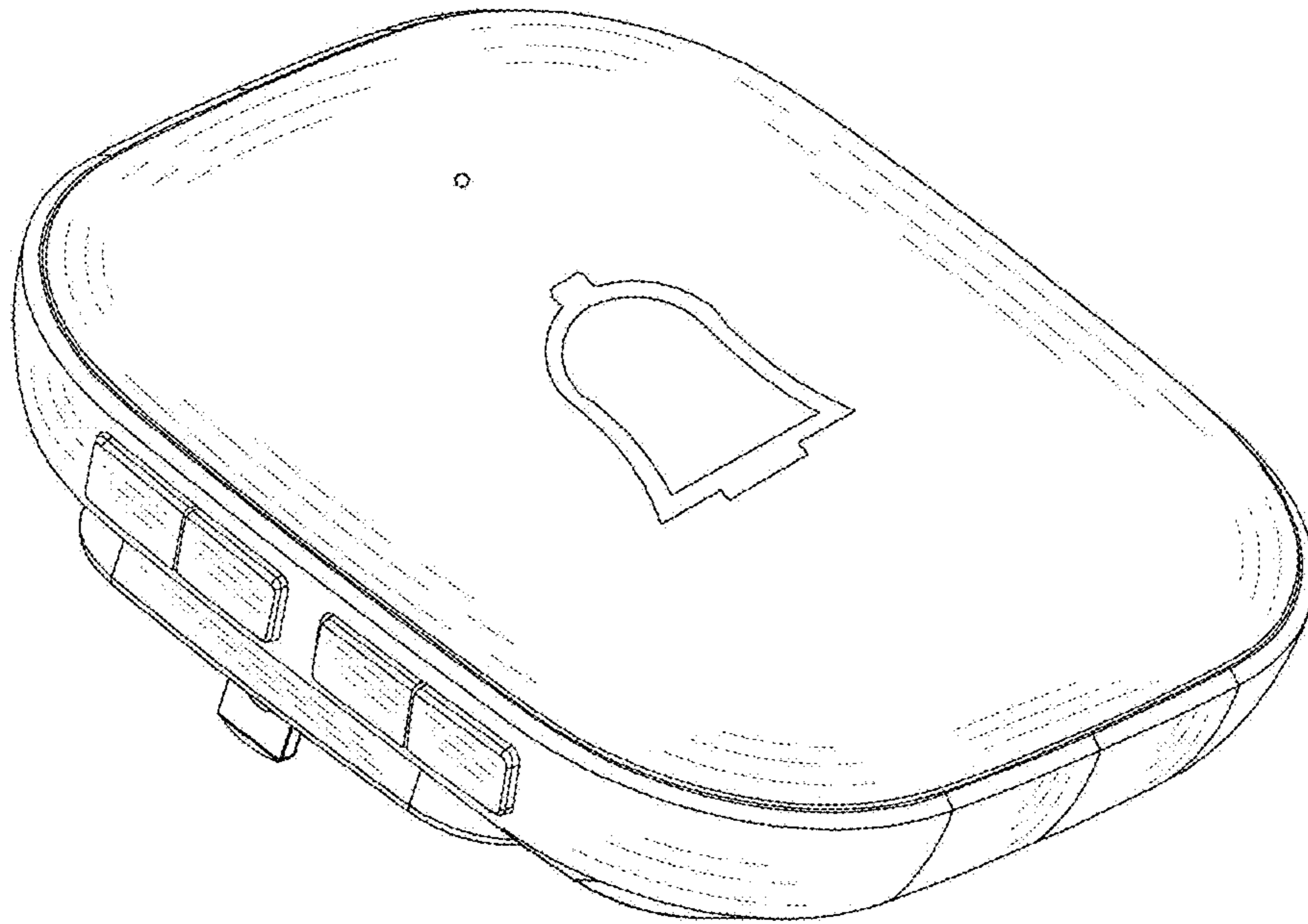


FIG. 9

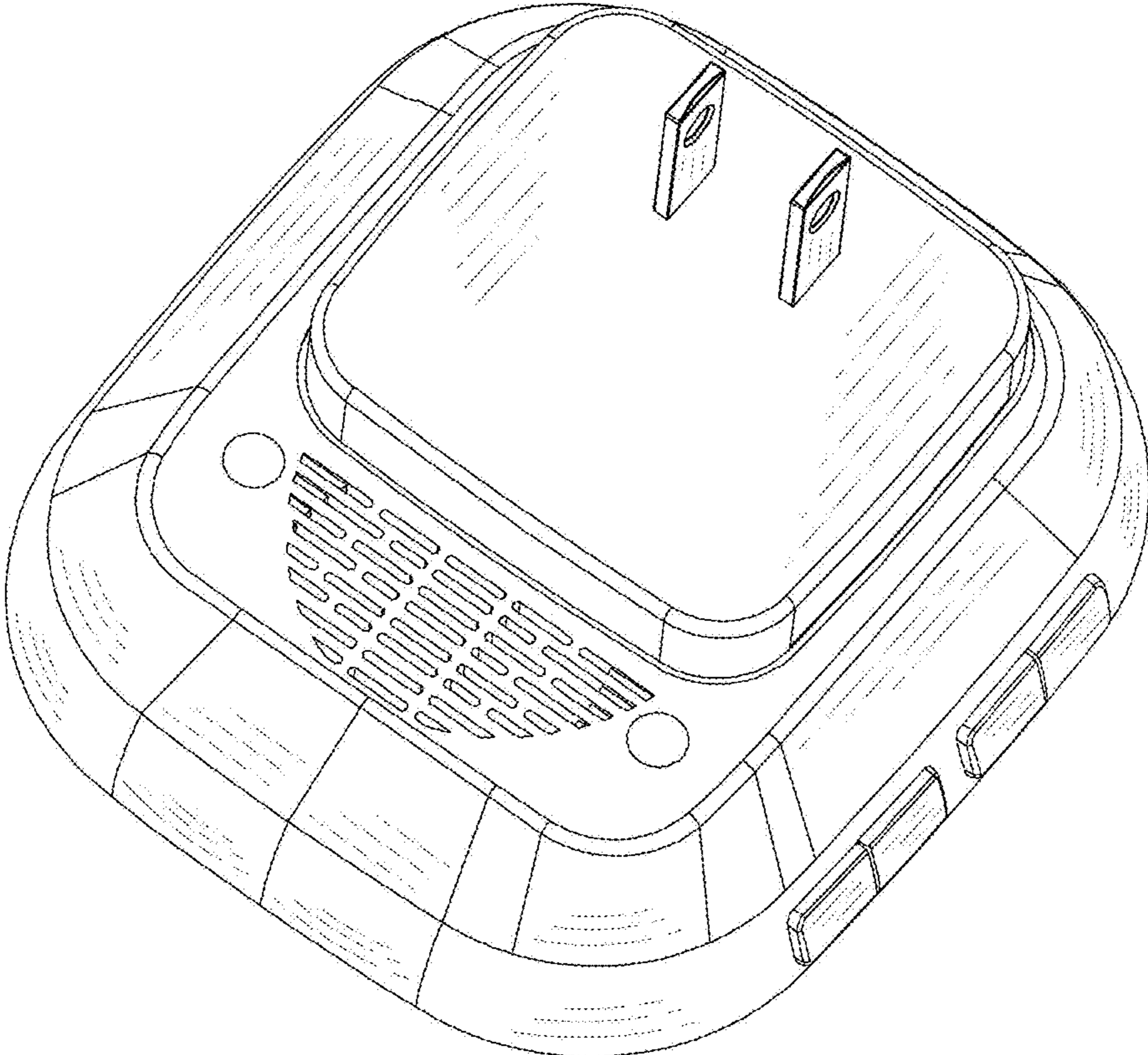


FIG. 10

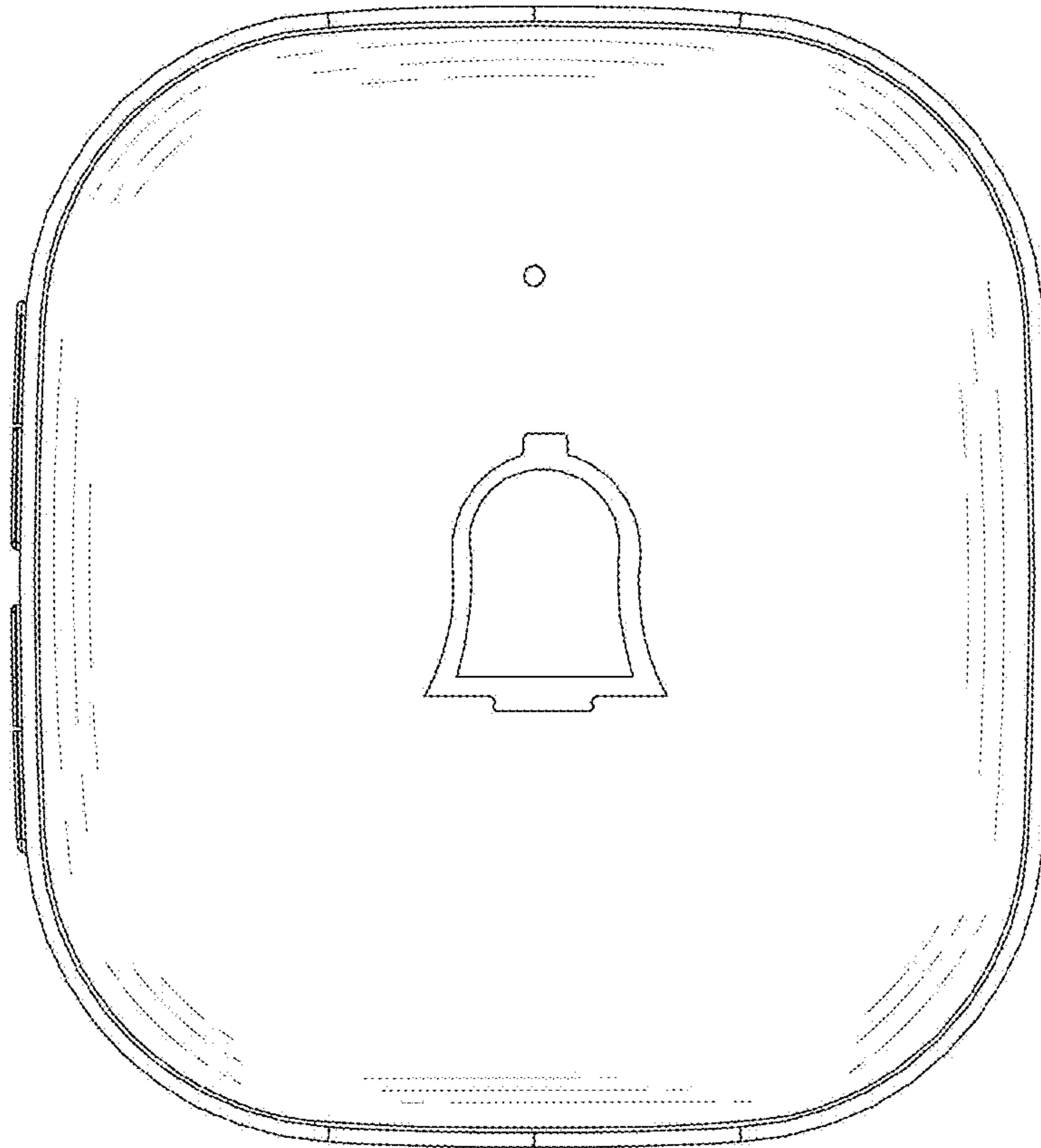


FIG. 11

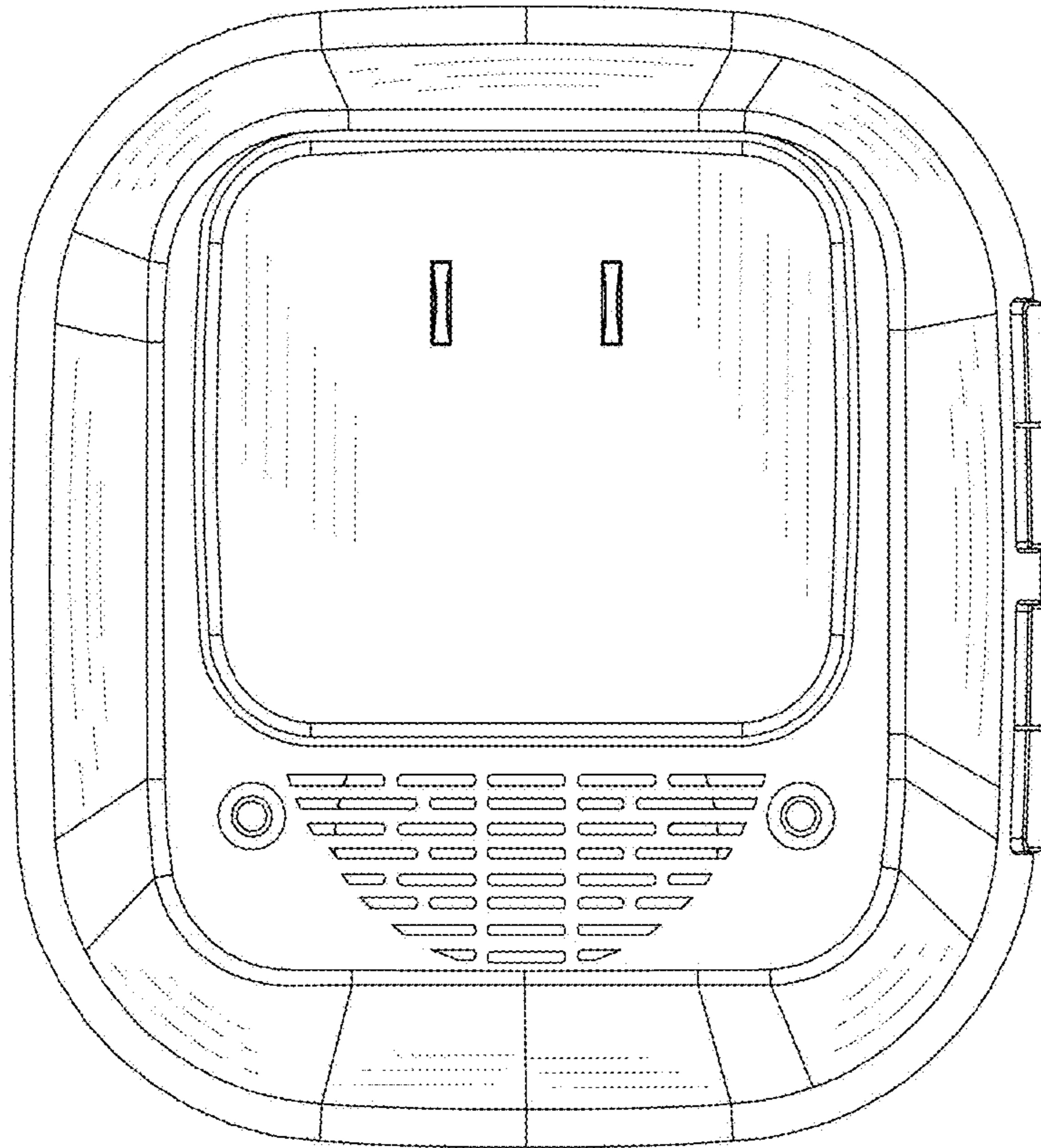


FIG. 12

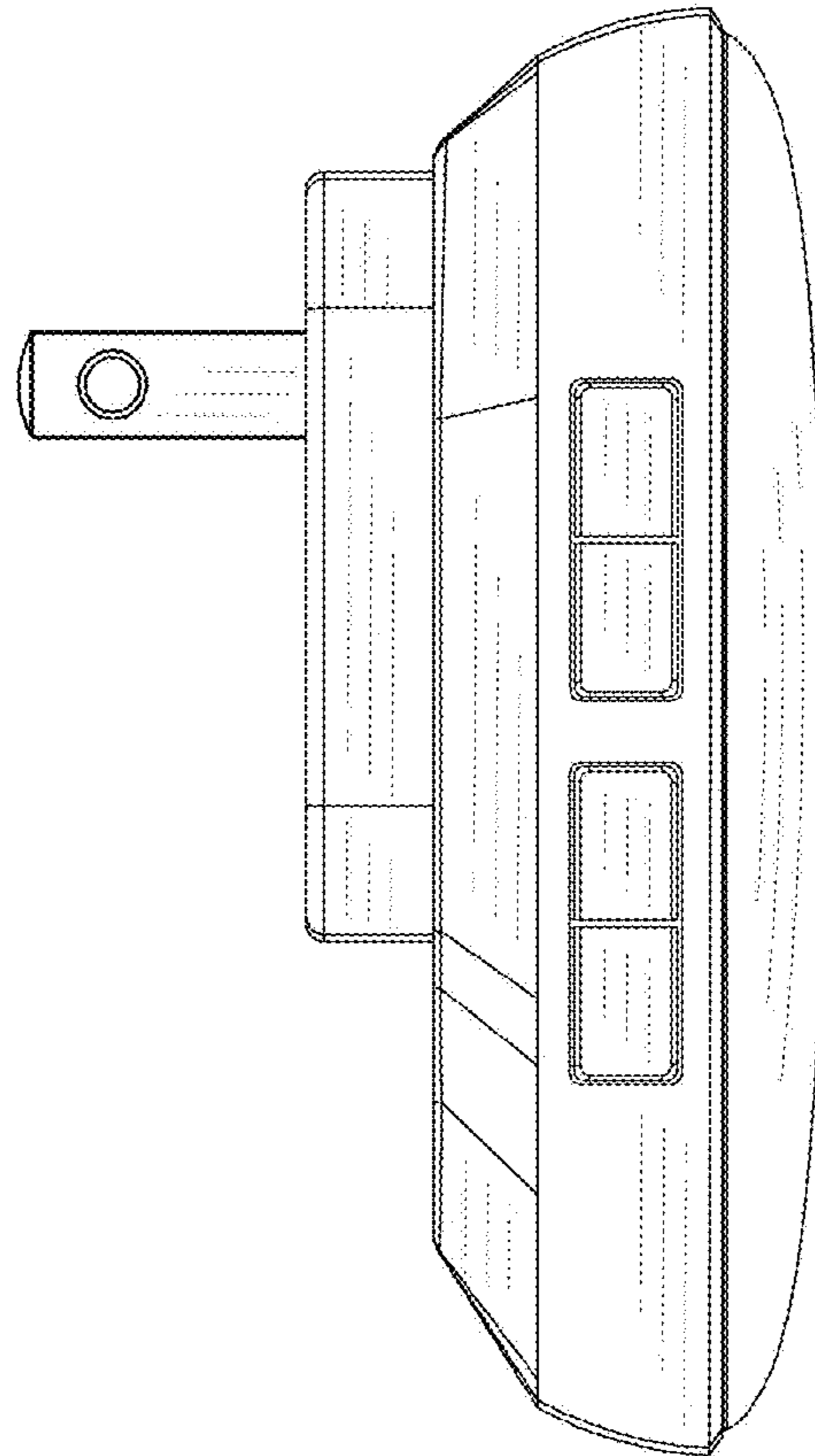


FIG. 13

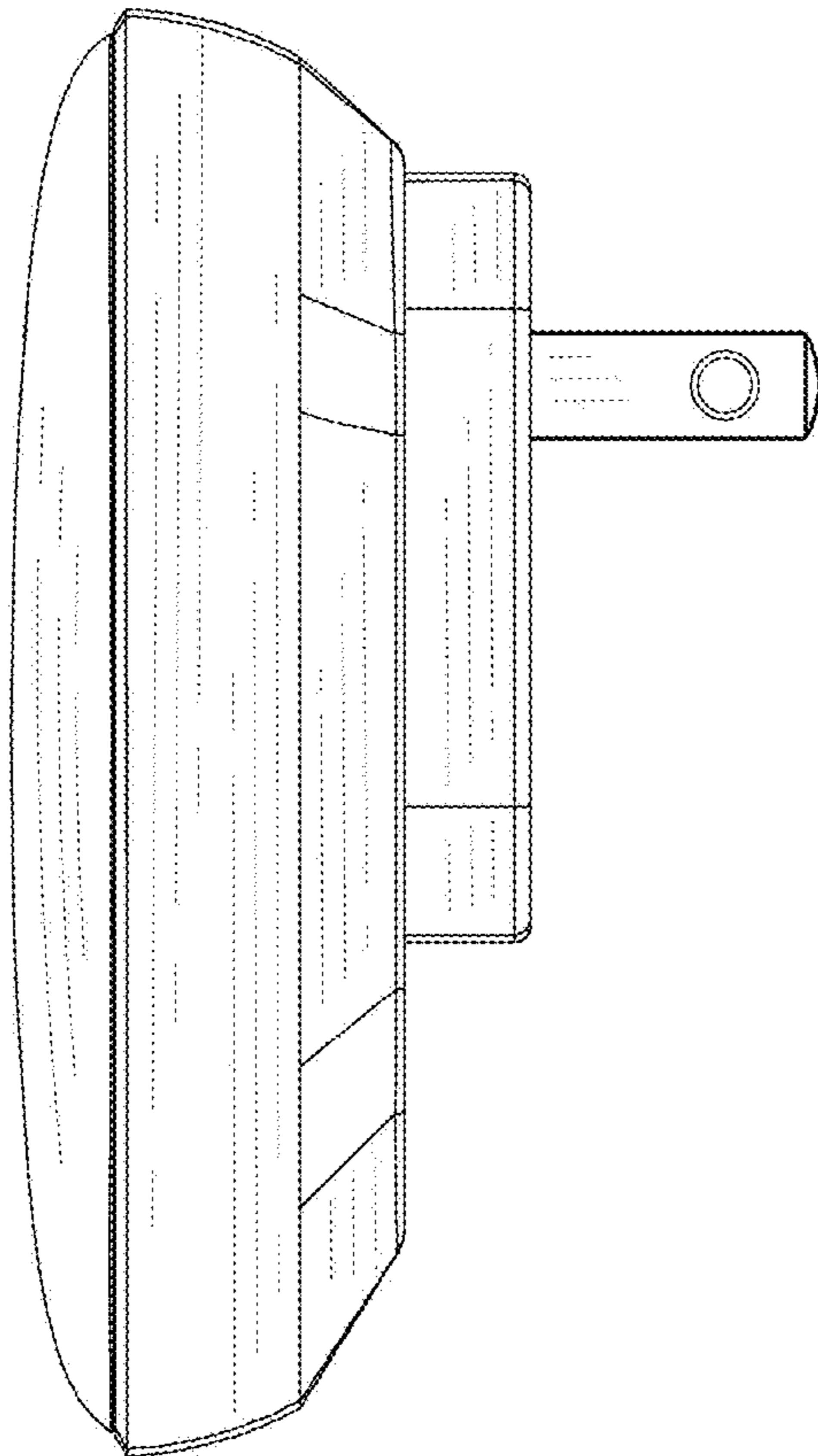


FIG. 14

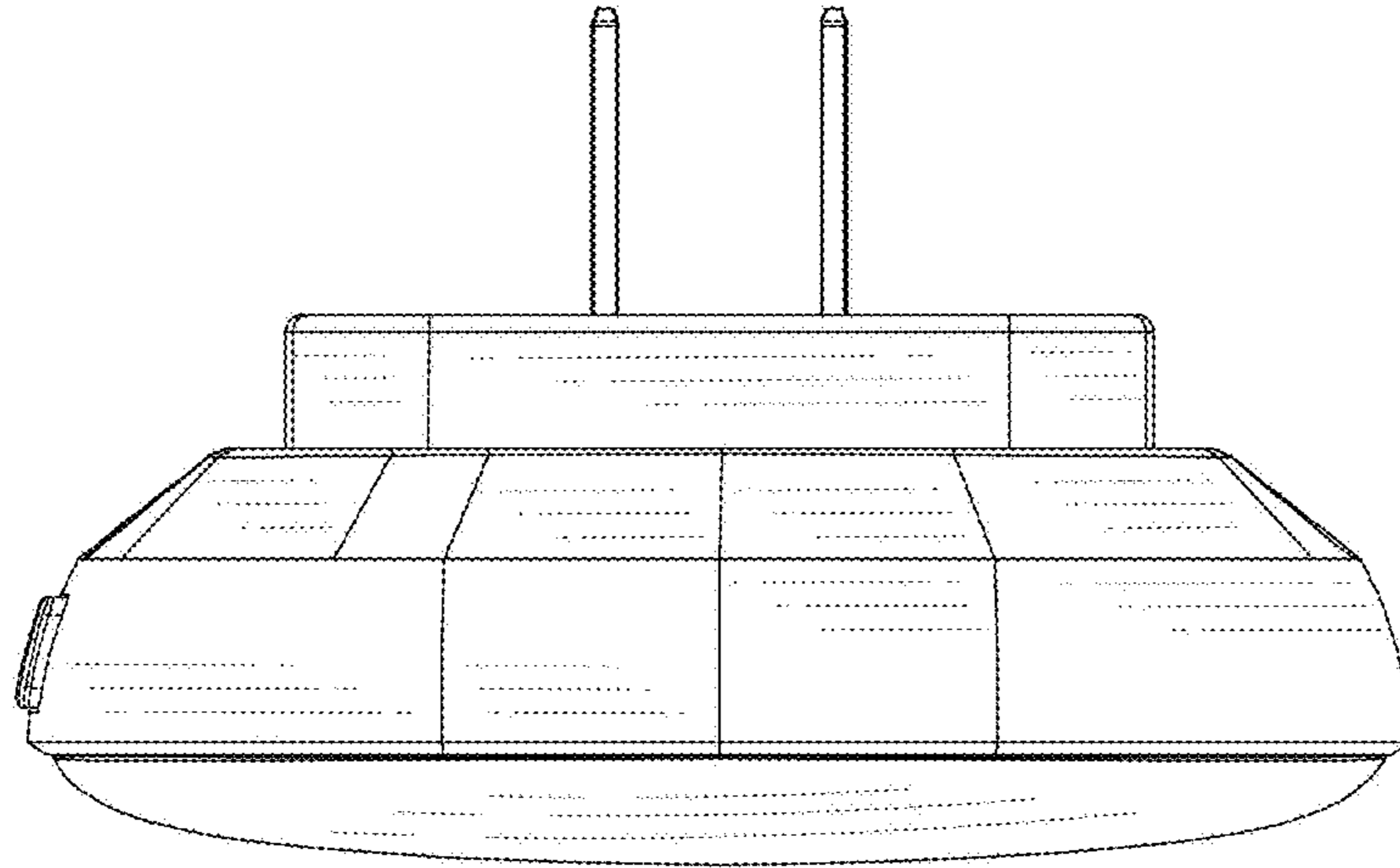


FIG. 15

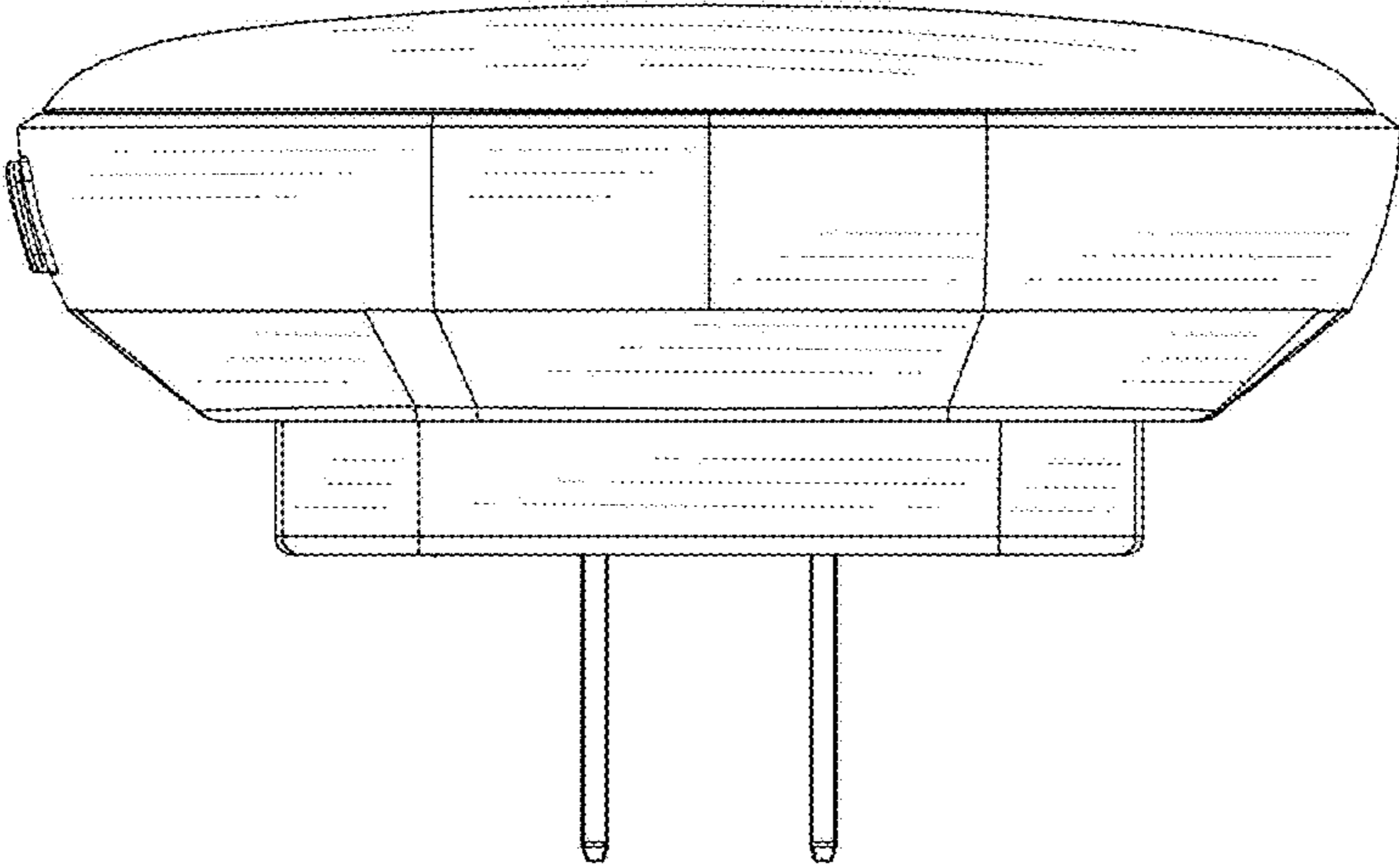


FIG. 16

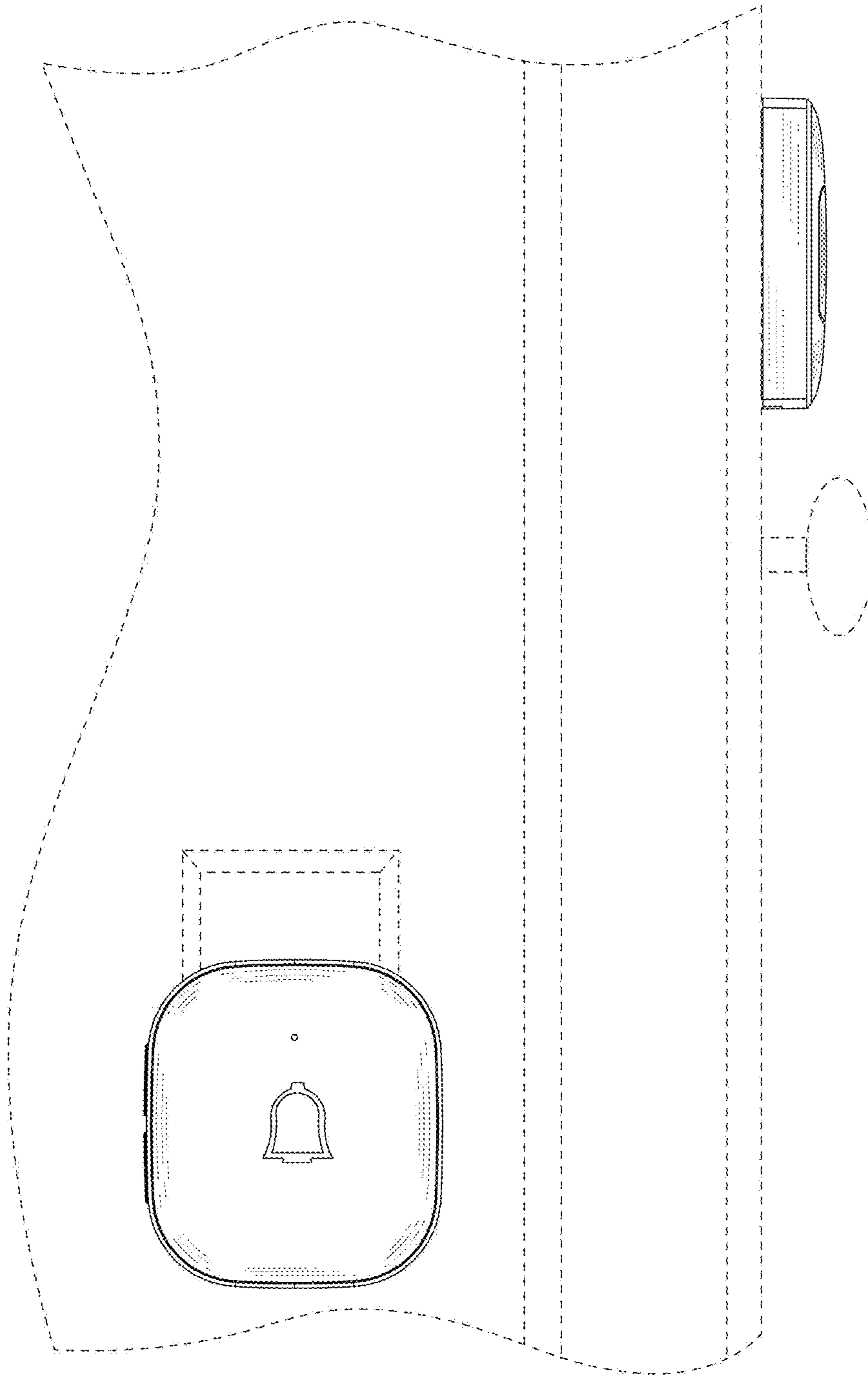


FIG. 17