



US00D981883S

(12) **United States Design Patent** (10) **Patent No.:** **US D981,883 S**  
**Wang** (45) **Date of Patent:** **\*\* Mar. 28, 2023**

(54) **CALIBRATION SUPPORT**

(71) Applicant: **AUTEL INTELLIGENT TECHNOLOGY CORP., LTD.,**  
Guangdong (CN)

(72) Inventor: **Yongshuai Wang,** Guangdong (CN)

(73) Assignee: **AUTEL INTELLIGENT TECHNOLOGY CORP., LTD.,**  
Guangdong (CN)

(\*\*) Term: **15 Years**

(21) Appl. No.: **29/725,857**

(22) Filed: **Feb. 27, 2020**

(30) **Foreign Application Priority Data**

Aug. 27, 2019 (CN) ..... 201930467402.6

(51) **LOC (14) Cl.** ..... **10-04**

(52) **U.S. Cl.**  
USPC ..... **D10/103**

(58) **Field of Classification Search**  
USPC ..... D10/46, 78, 82, 83, 103; D14/452, 447,  
D14/371, 372, 373, 374; D8/349, 354,  
D8/363, 376; D34/28  
CPC ..... F16M 11/242; F16M 11/2014; F16M  
11/105; F16M 11/24; G01S 13/931; G01S  
7/4026; G01B 11/27; G01B 11/2755  
See application file for complete search history.

(56) **References Cited**

**U.S. PATENT DOCUMENTS**

- D883,122 S \* 5/2020 Cai ..... D10/103
- D883,123 S \* 5/2020 Cai ..... D10/103
- D894,197 S \* 8/2020 Knapp ..... D14/452
- 10,794,996 B2 \* 10/2020 Qiu ..... G01S 7/4026
- 10,821,607 B2 \* 11/2020 Chen ..... B60S 5/00
- 10,921,426 B2 \* 2/2021 Tang ..... G01S 7/40
- 11,119,189 B2 \* 9/2021 Lai ..... G01M 17/007
- D935,926 S \* 11/2021 Wang ..... D10/103

- D937,111 S \* 11/2021 Wang ..... D10/103
  - D954,479 S \* 6/2022 Wang ..... D6/681.1
  - 2019/0249985 A1 \* 8/2019 Stieff ..... G01B 11/272
  - 2020/0147800 A1 \* 5/2020 Chen ..... B25J 9/1692
  - 2020/0271267 A1 \* 8/2020 Govekar ..... F16M 11/046
- (Continued)

**OTHER PUBLICATIONS**

Google search for Assignee Jul. 18, 2022, "Autel introduces the IA900WA, delivering industry-leading accuracy for Wheel Alignment and ADAS calibrations", <https://autel.com/c/www/news/3823.jhtml> (Year: 2022).\*

*Primary Examiner* — Cynthia Ramirez

(57) **CLAIM**

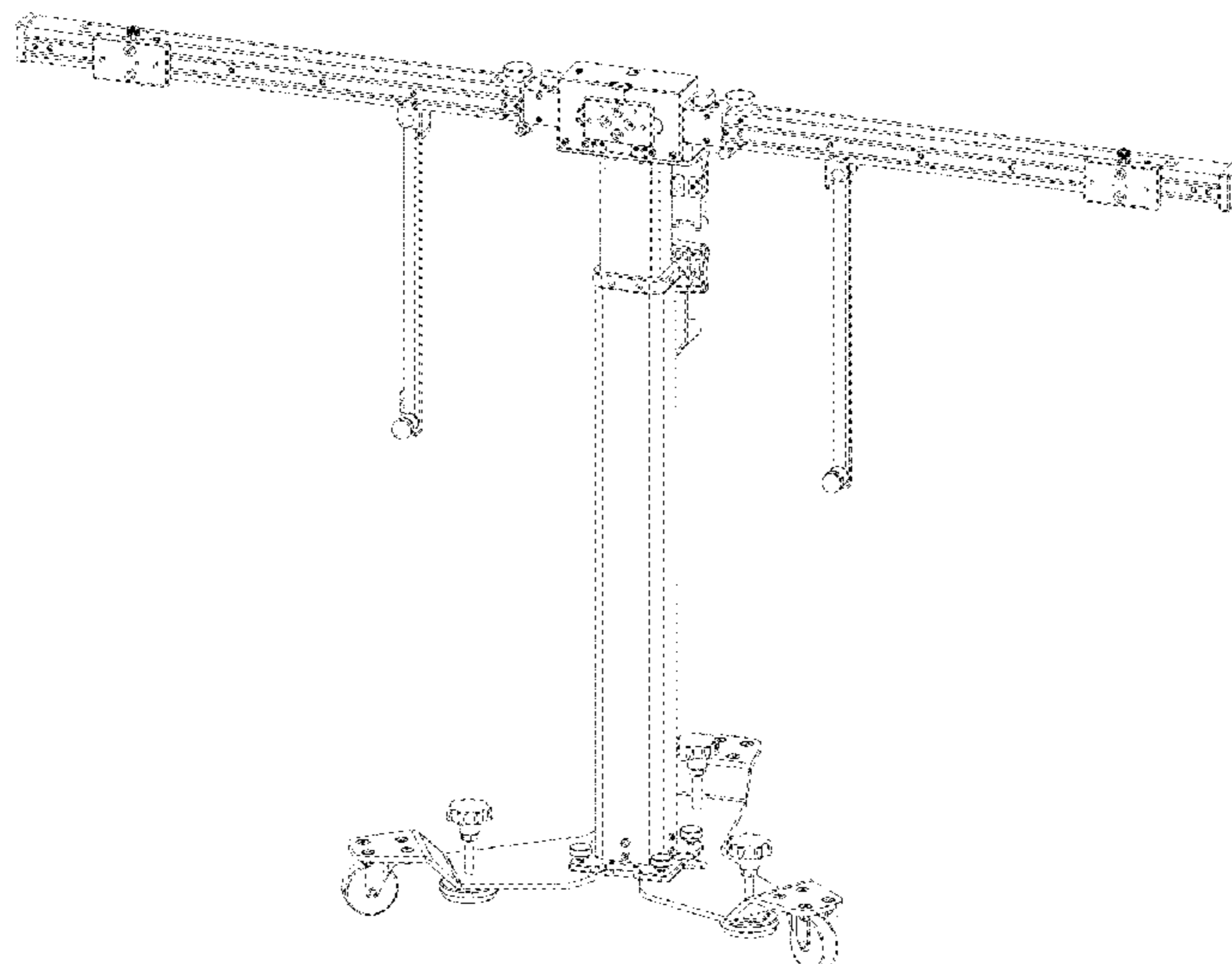
I claim the ornamental design for a calibration support, as shown and described.

**DESCRIPTION**

FIG. 1 is a front elevational view of a calibration support showing our new design;  
 FIG. 2 is a back elevational view thereof;  
 FIG. 3 is a left side elevational view thereof;  
 FIG. 4 is a right side elevational view thereof;  
 FIG. 5 is a top plan view thereof;  
 FIG. 6 is a bottom plan view thereof;  
 FIG. 7 is a perspective view thereof;  
 FIG. 8 is a front elevation view shown in an alternate position;  
 FIG. 9 is a back elevational view thereof;  
 FIG. 10 is a left elevational view thereof;  
 FIG. 11 is a right elevational view thereof;  
 FIG. 12 is a top plan view thereof;  
 FIG. 13 is a bottom plan view thereof; and,  
 FIG. 14 is a perspective view thereof.

The broken lines in the figures are for the purpose of illustrating portions of the calibration support which form no part of the claimed design.

**1 Claim, 14 Drawing Sheets**



(56)

**References Cited**

U.S. PATENT DOCUMENTS

2020/0271268	A1 *	8/2020	Govekar .....	F16M 11/105
2020/0355792	A1 *	11/2020	Tang .....	G01S 13/865
2021/0069872	A1 *	3/2021	Wang .....	G01S 7/4026
2022/0049954	A1 *	2/2022	Lai .....	G01S 7/497
2022/0082657	A1 *	3/2022	Zhang .....	G01S 7/4082
2022/0107049	A1 *	4/2022	Liu .....	F16B 2/185
2023/0011610	A1 *	1/2023	Liu .....	F16M 11/38

\* cited by examiner

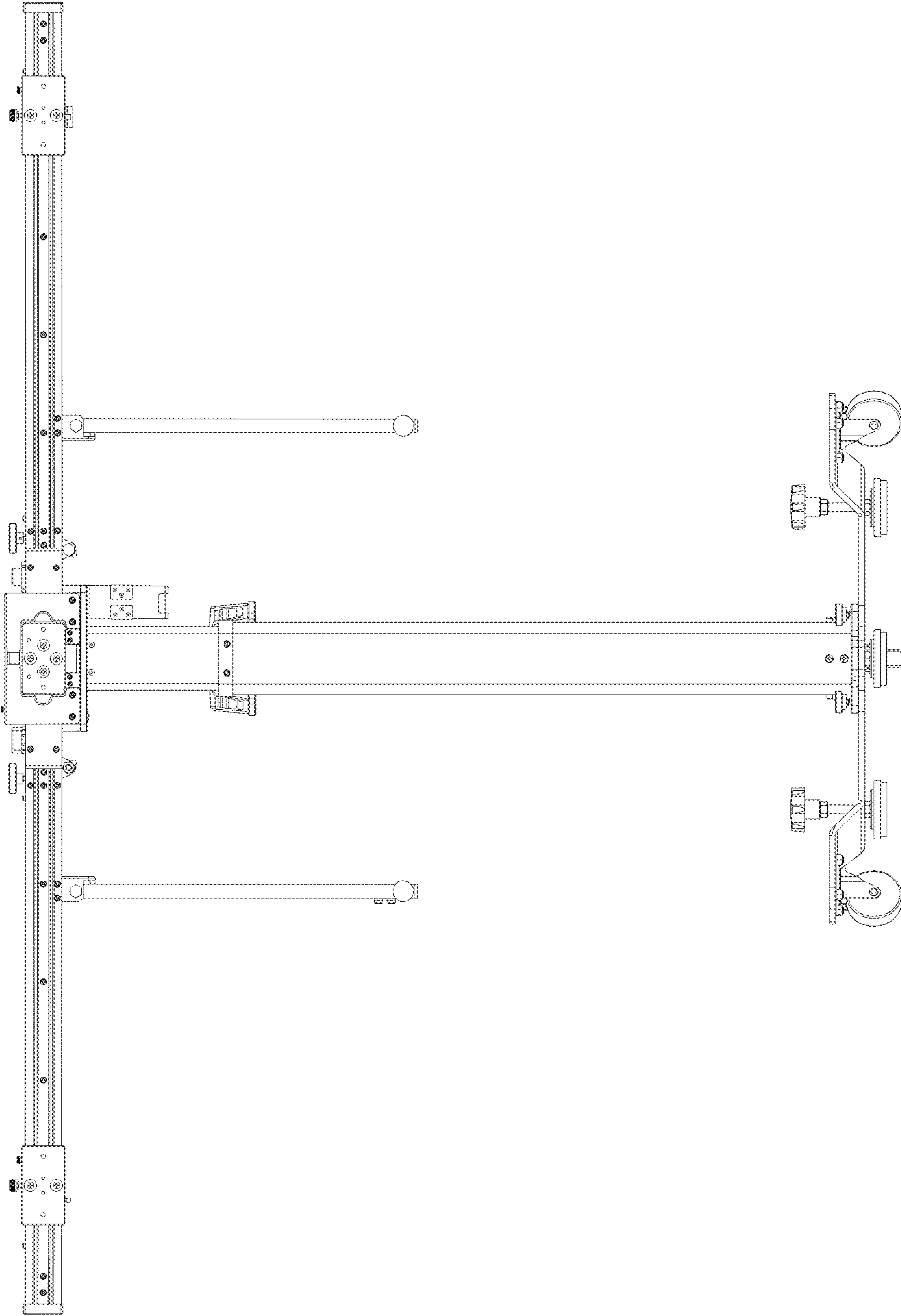


FIG. 1

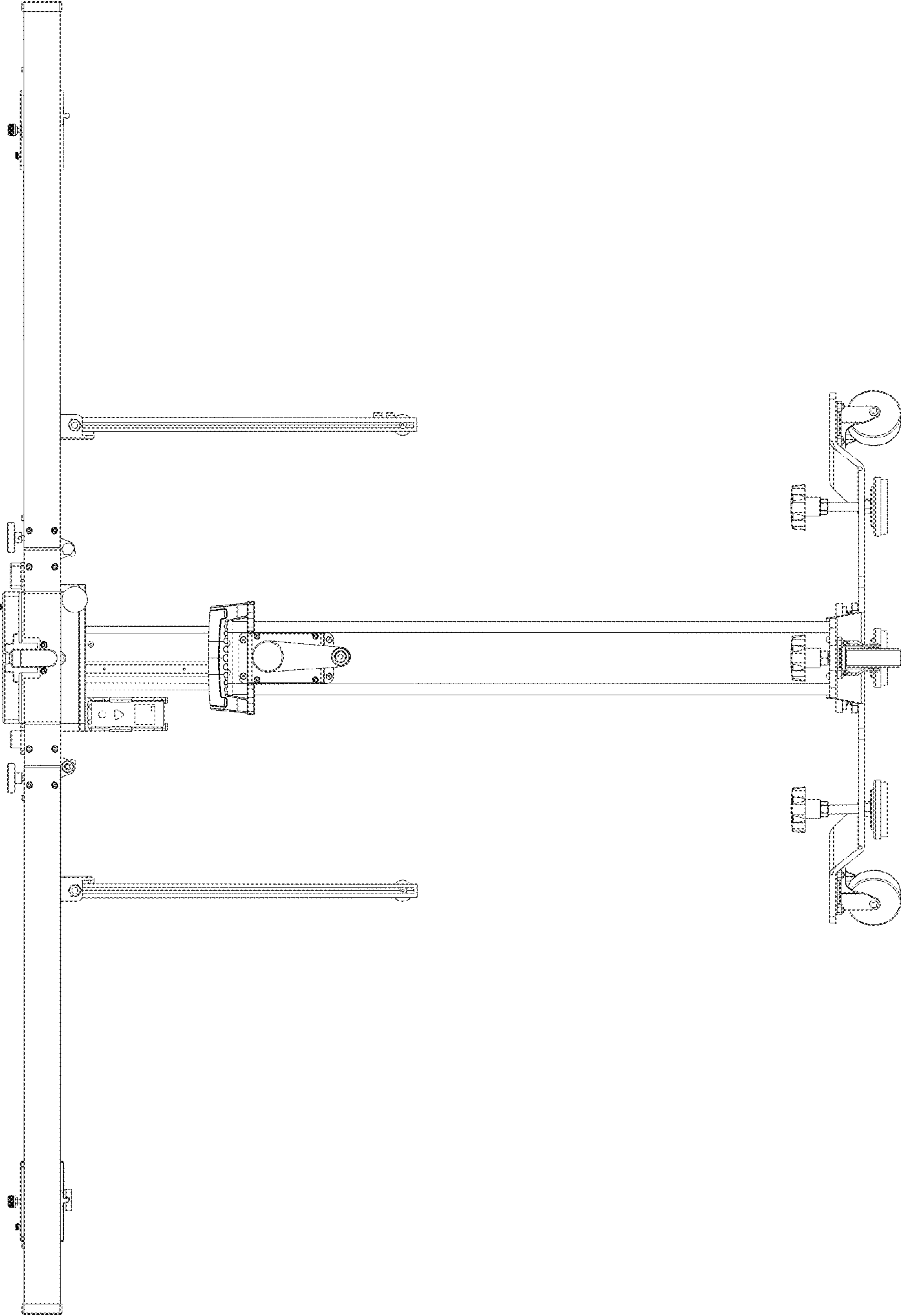
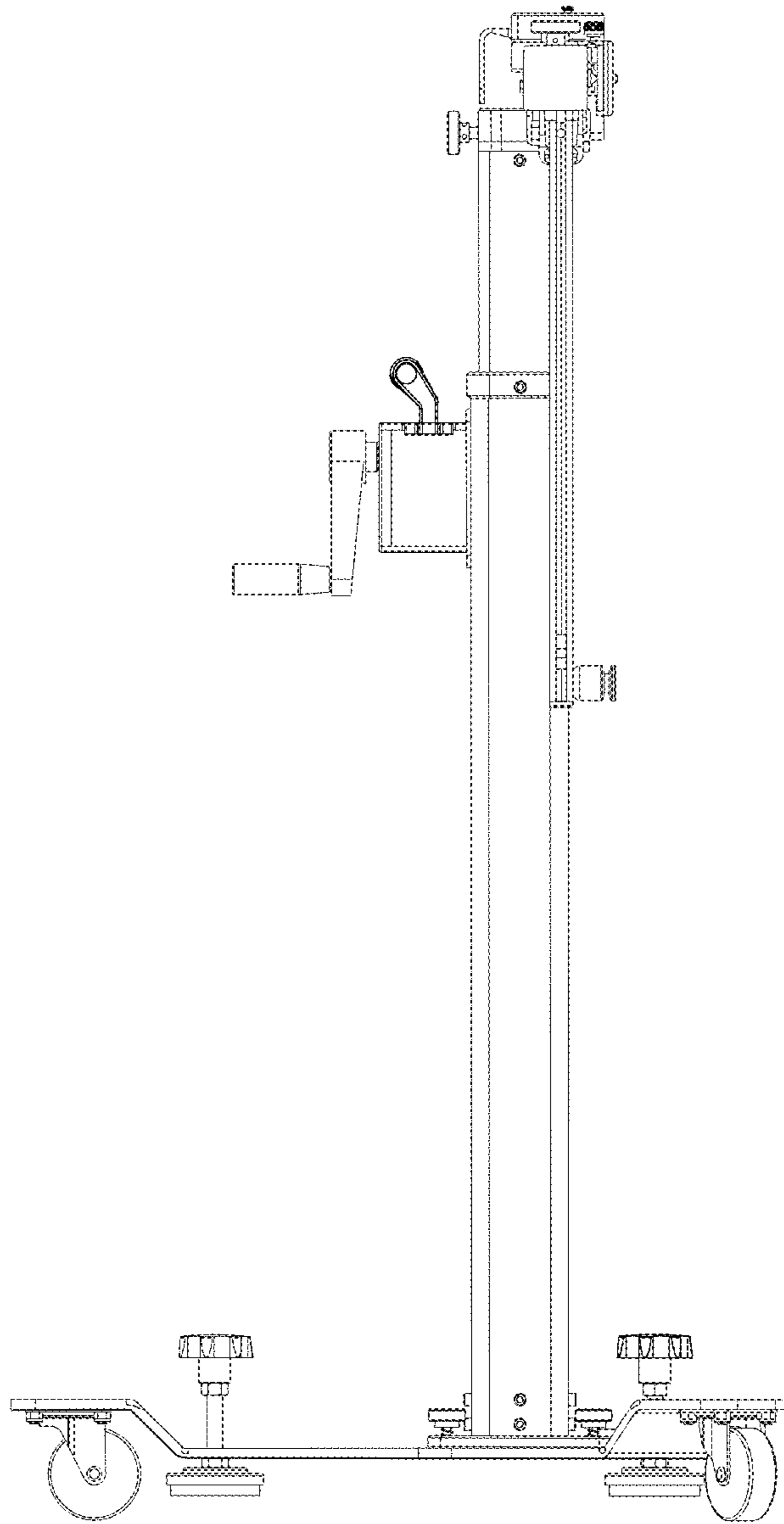
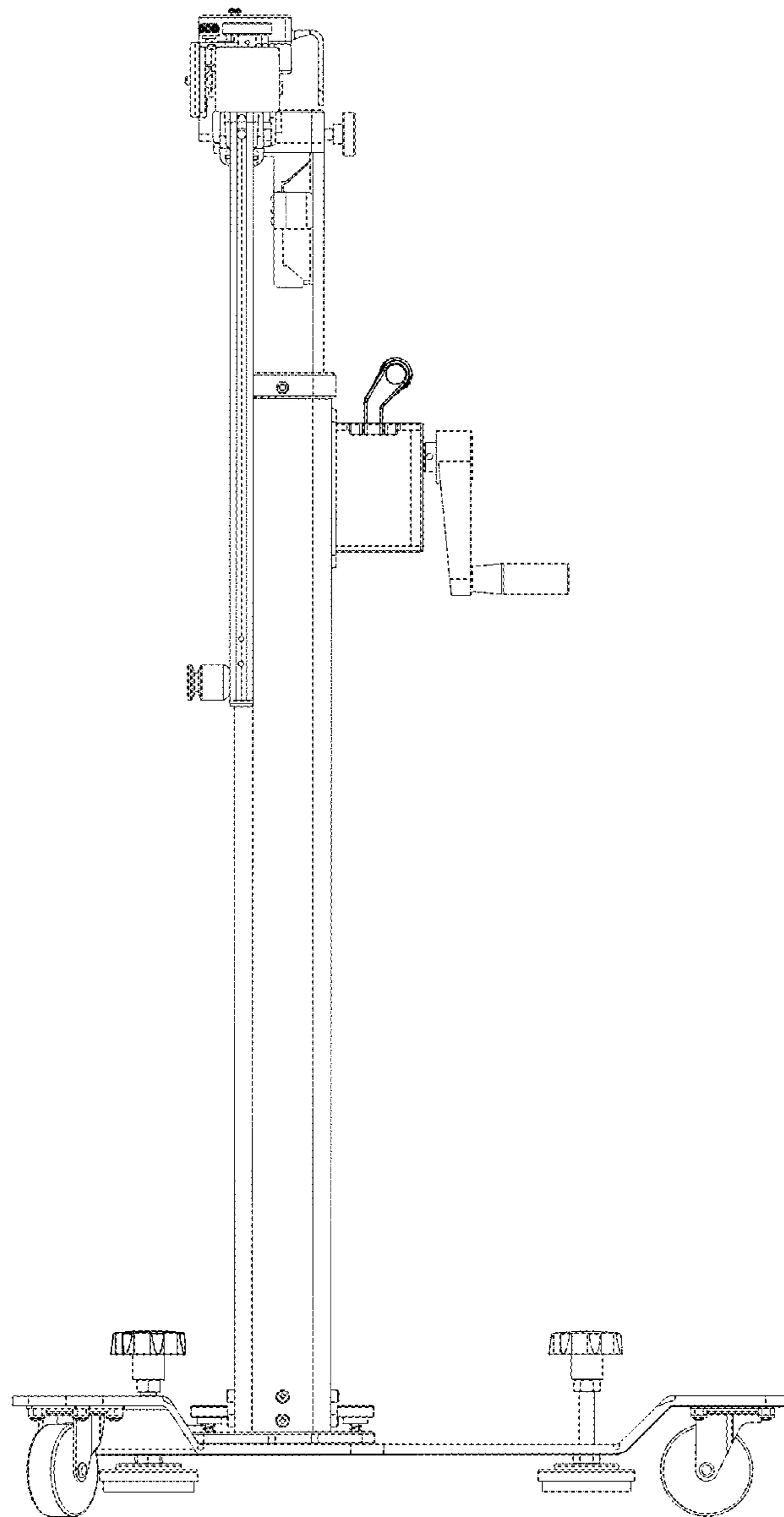


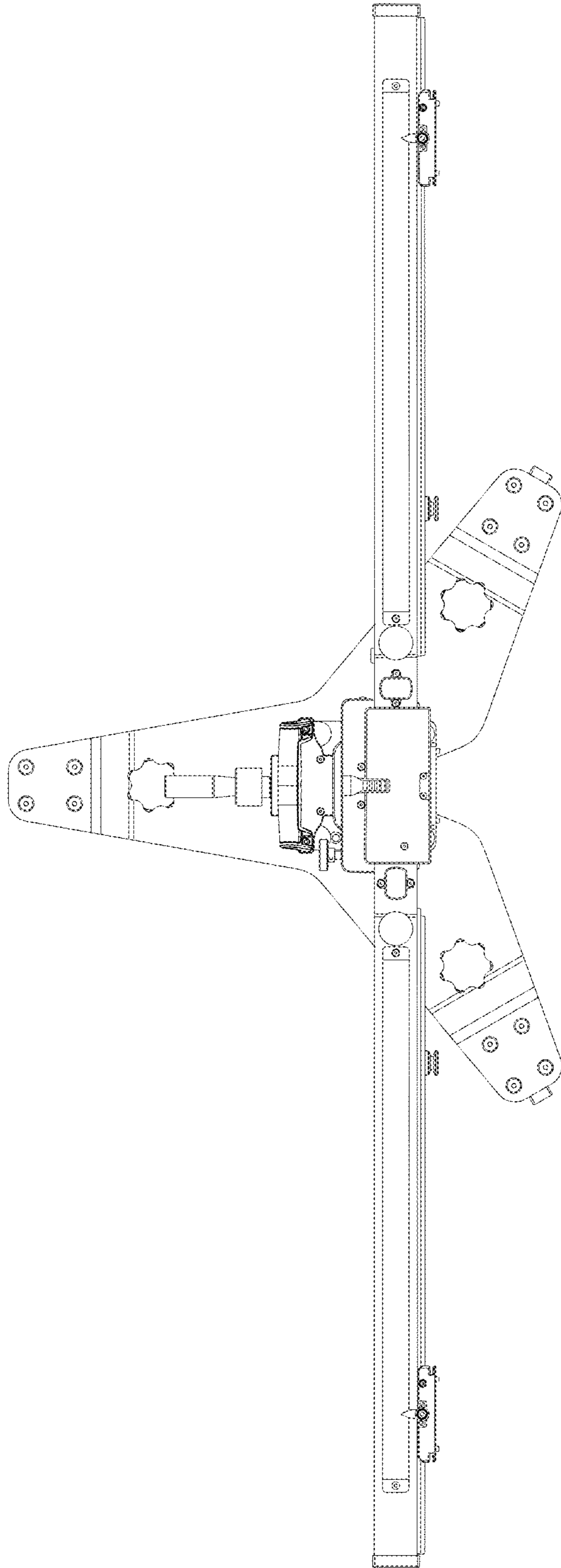
FIG. 2



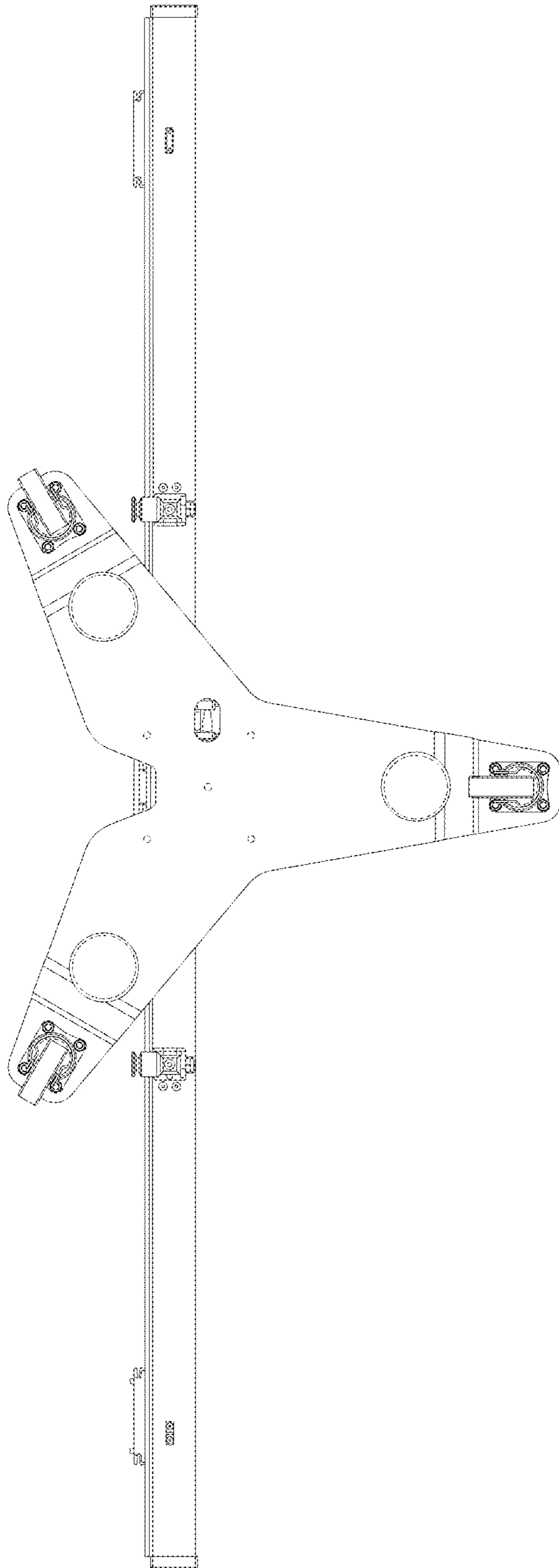
**FIG. 3**



**FIG. 4**

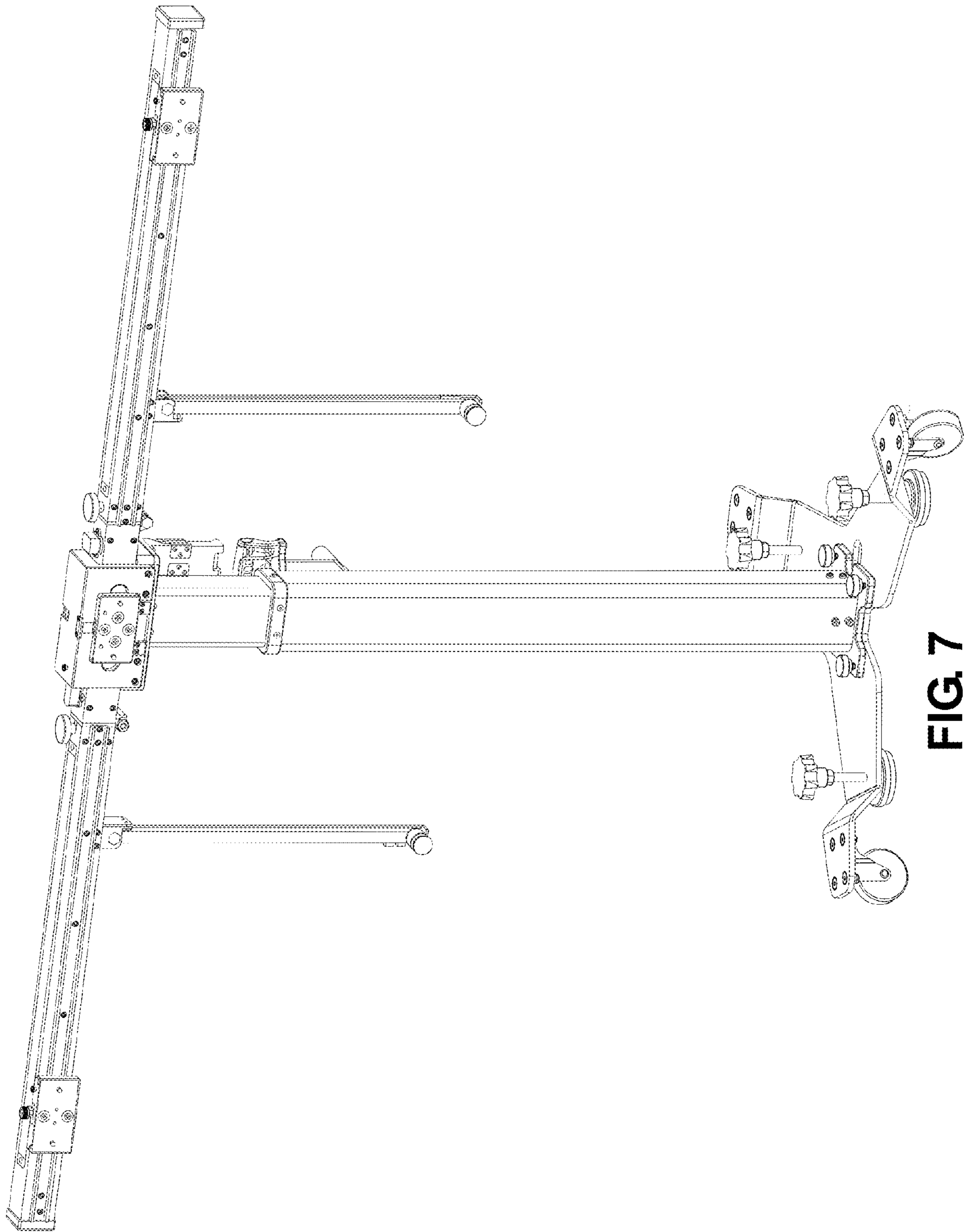


**FIG. 5**

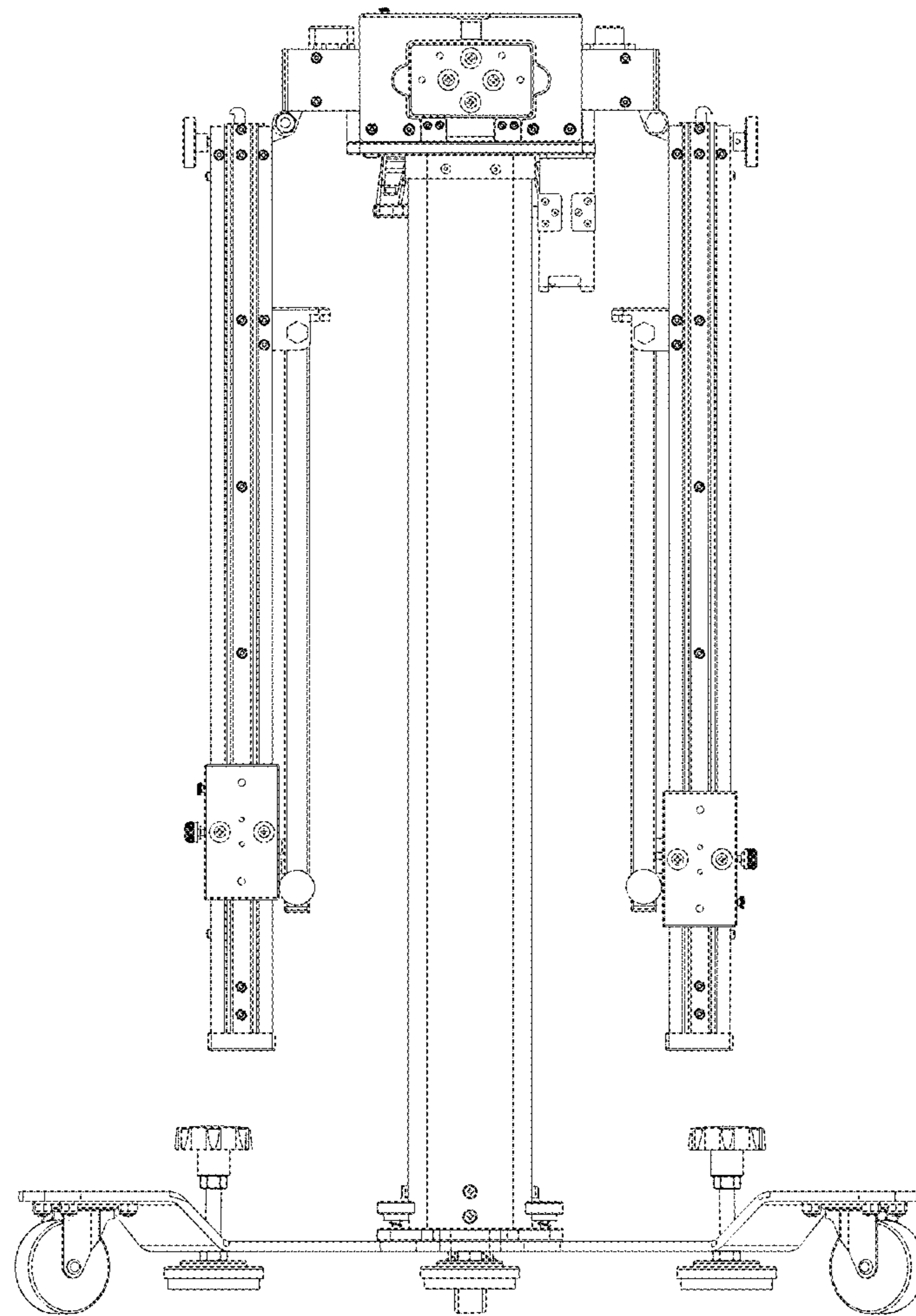


**FIG. 6**

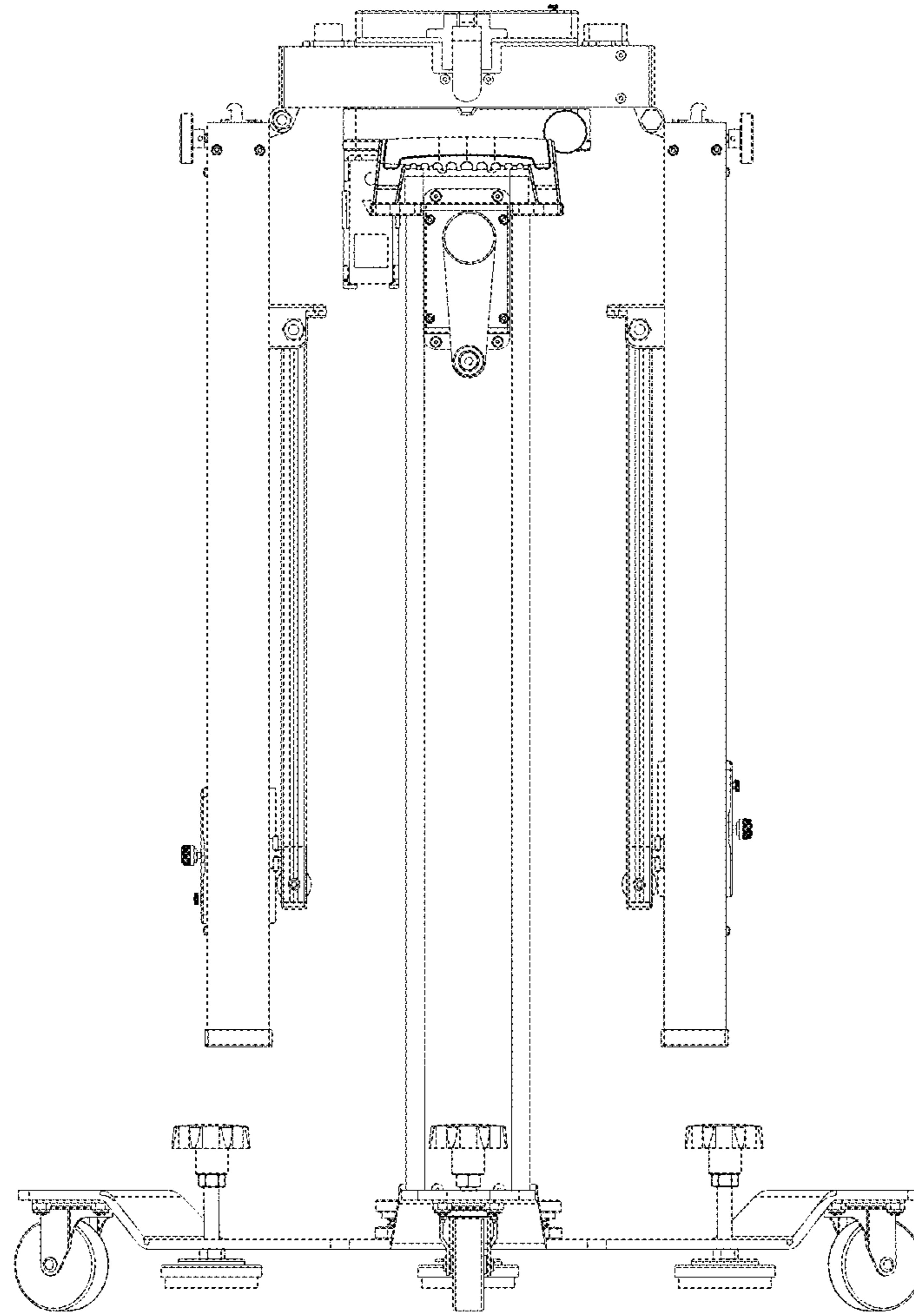




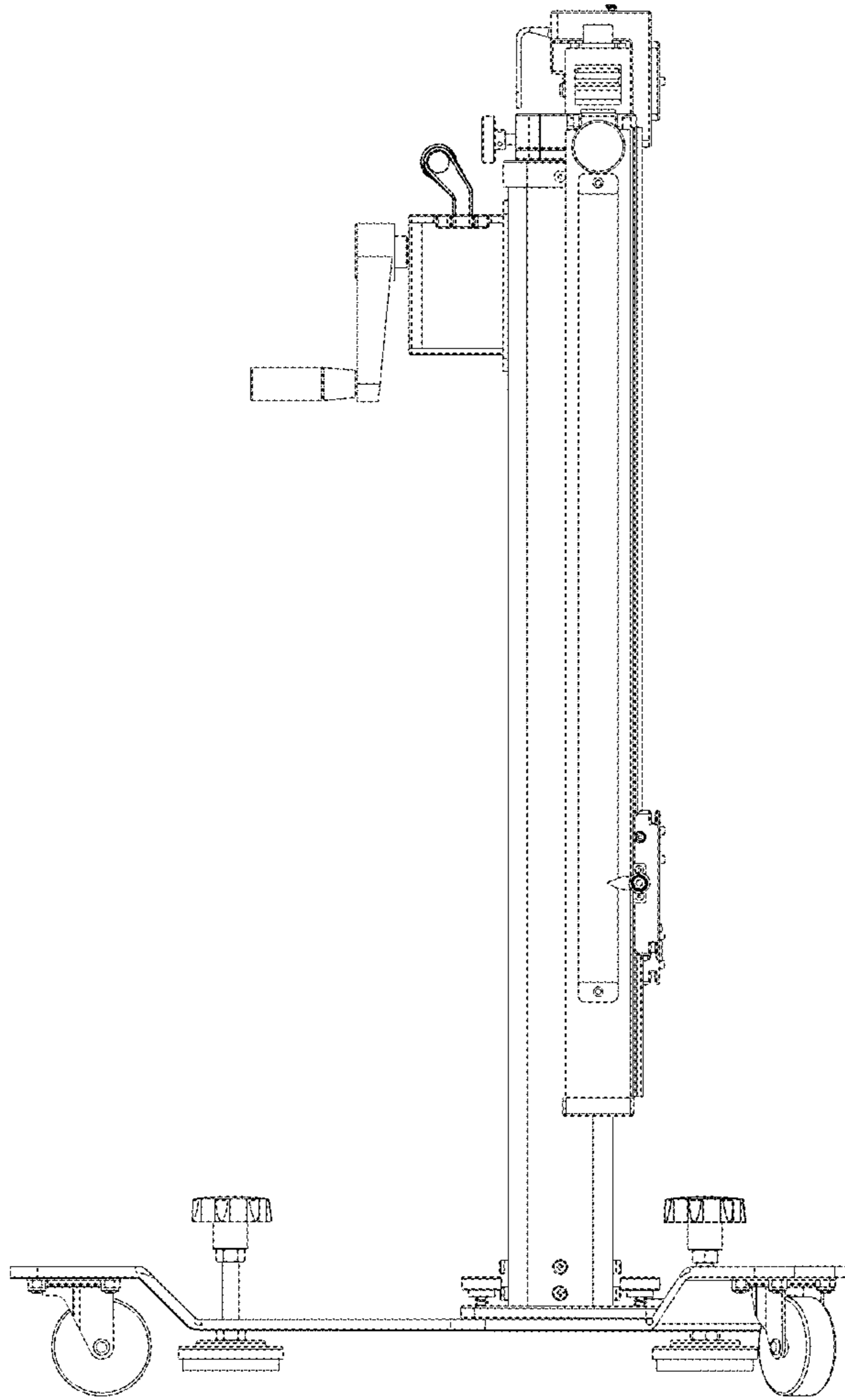
**FIG. 7**



**FIG. 8**



**FIG. 9**



**FIG. 10**

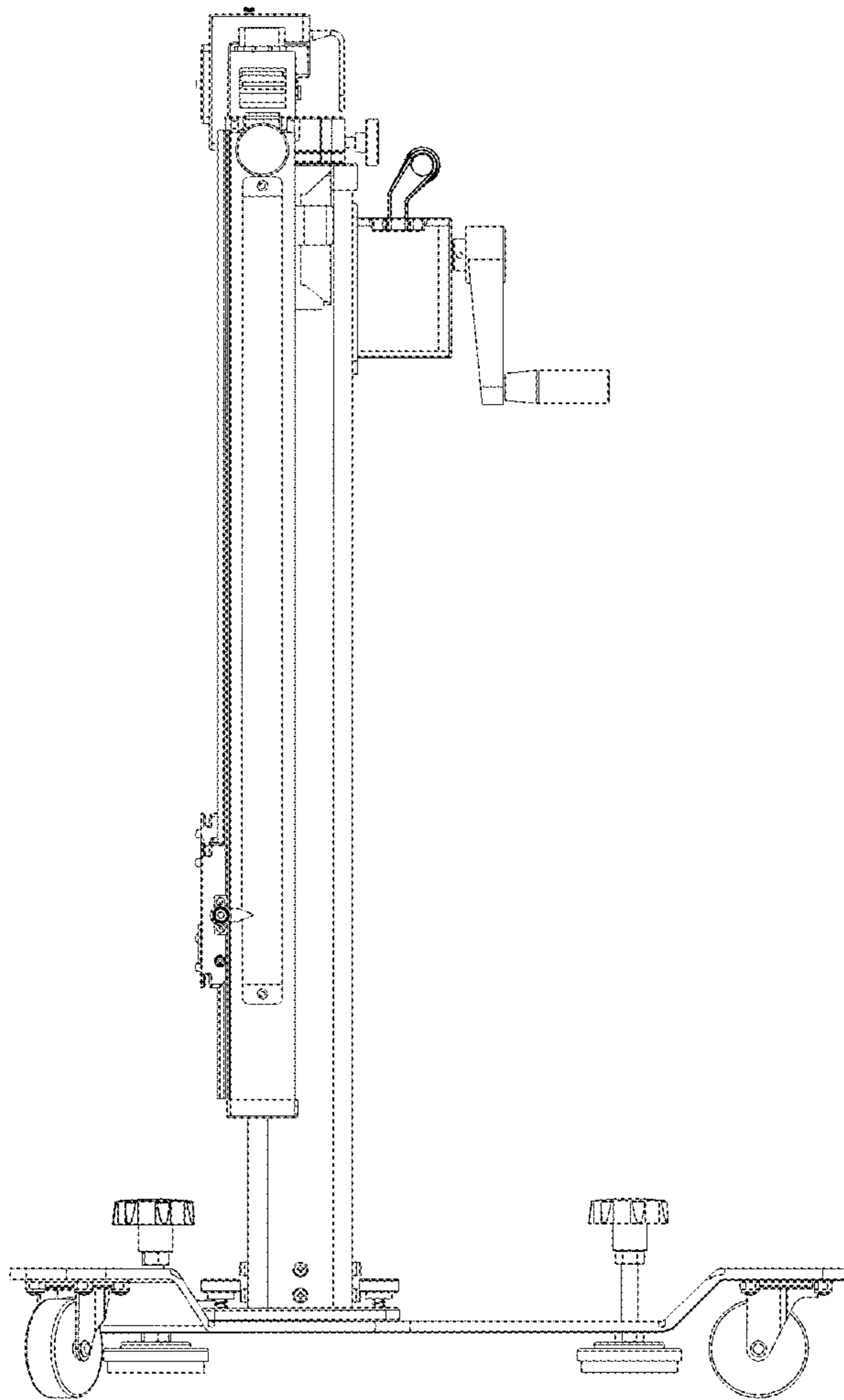
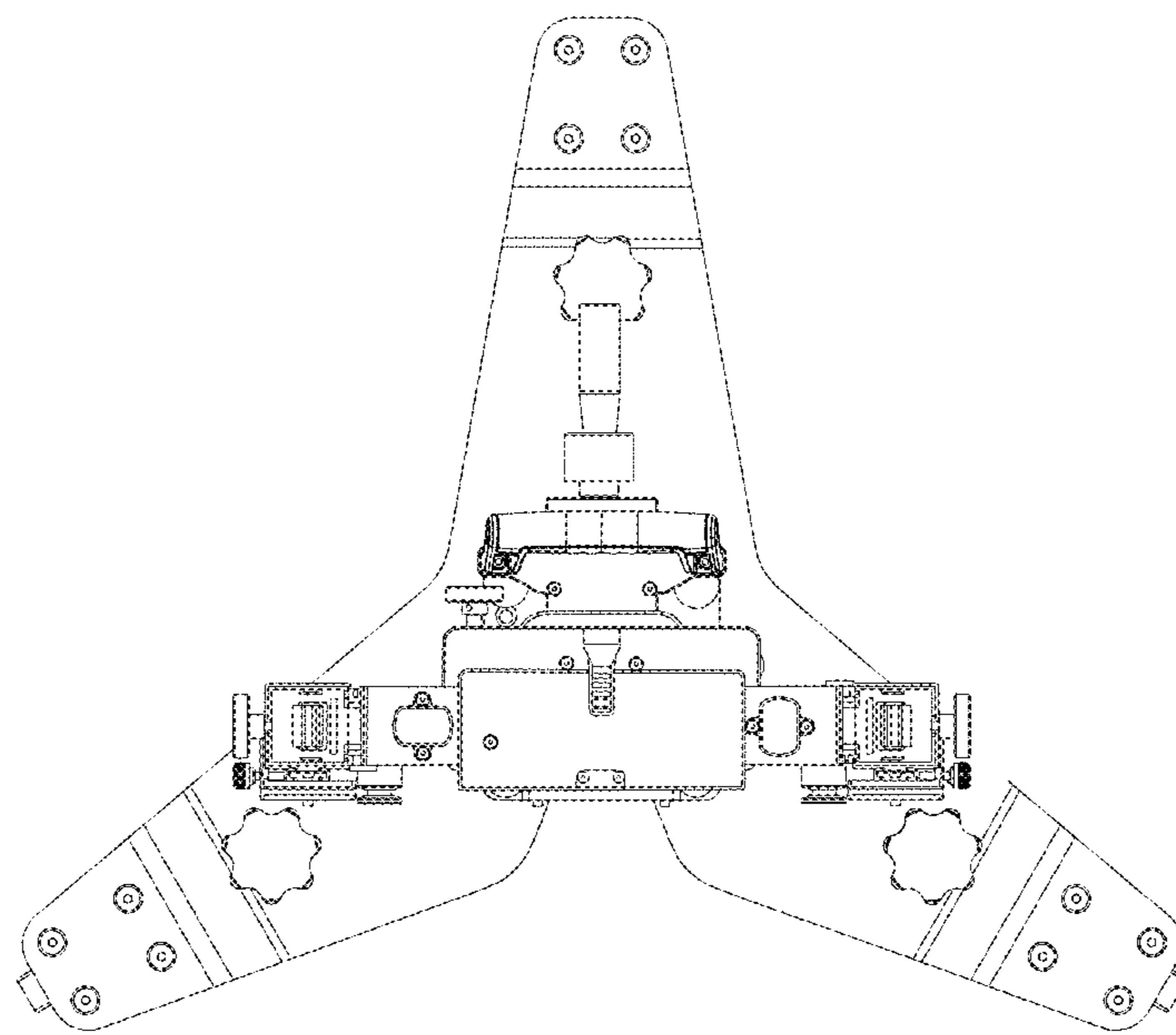
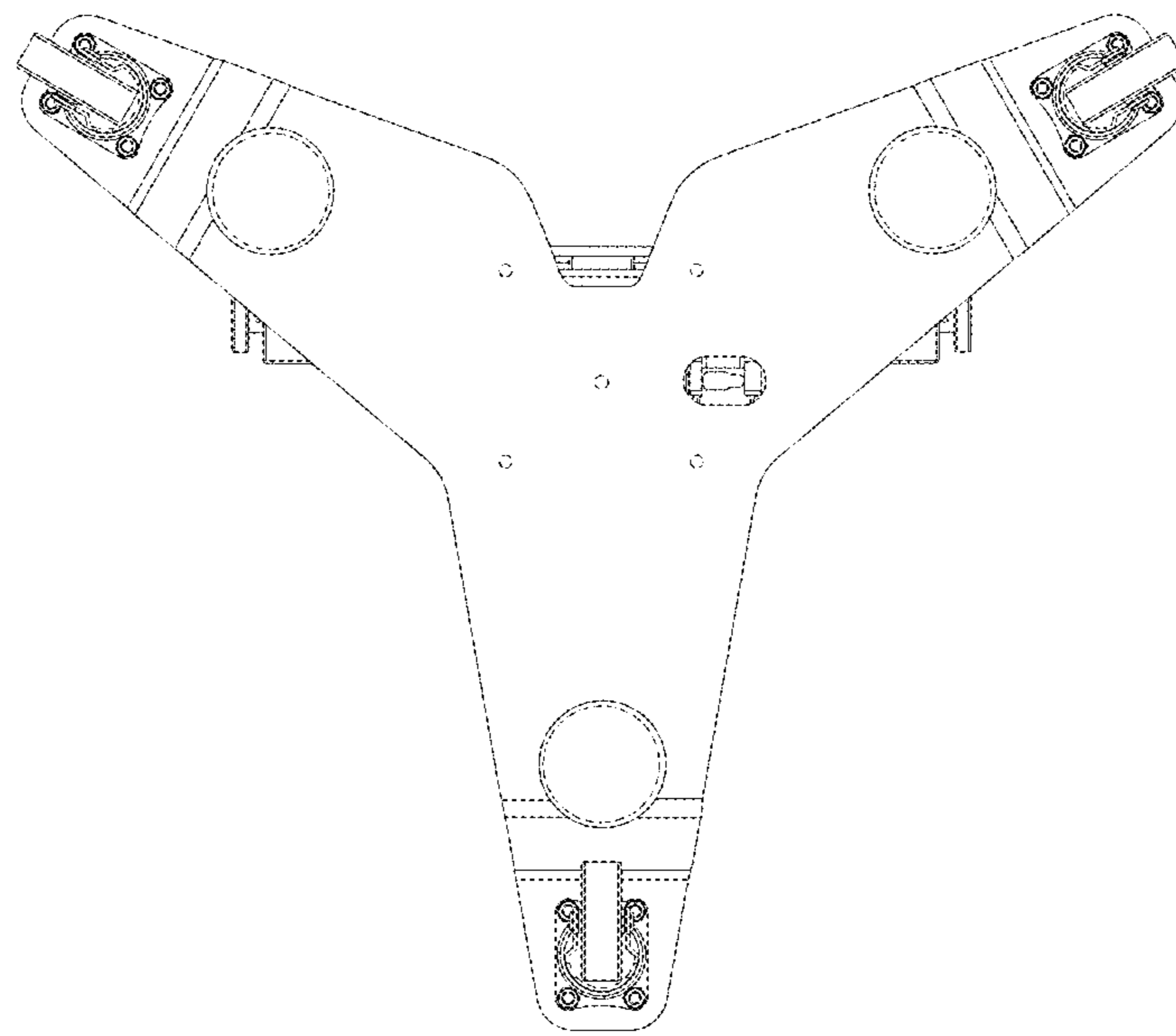


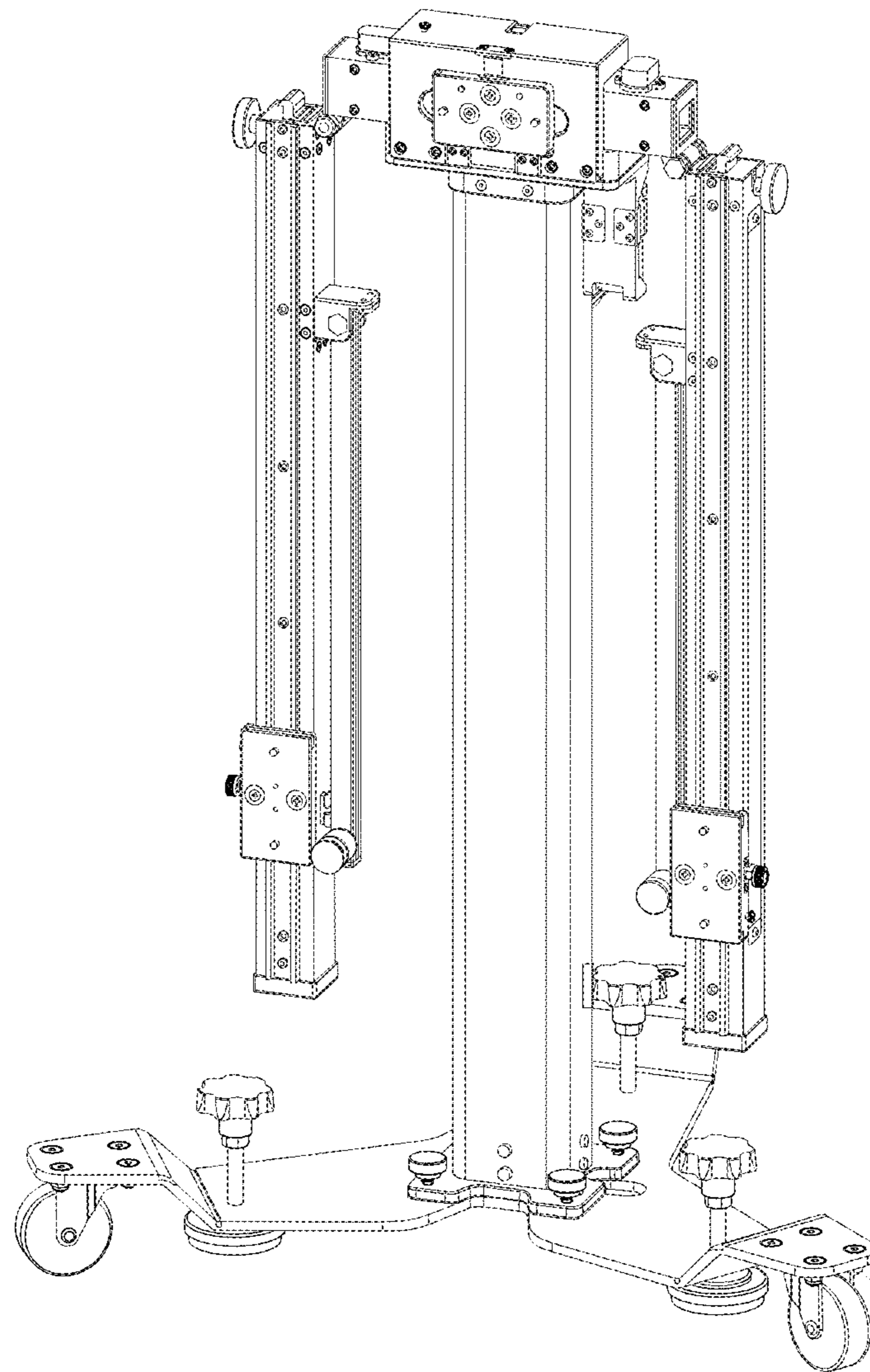
FIG. 11



**FIG. 12**



**FIG. 13**



**FIG. 14**