



US00D981880S

(12) **United States Design Patent**
Lee

(10) **Patent No.:** **US D981,880 S**
(45) **Date of Patent:** **** Mar. 28, 2023**

(54) **MEASURING QUANTITY OF MOTION SENSOR**

(71) Applicant: **AVANT SOLUTION, INC.**, Yongin-si (KR)

(72) Inventor: **Sang Chul Lee**, Yongin-si (KR)

(73) Assignee: **AVANT SOLUTION, INC.**

(**) Term: **15 Years**

(21) Appl. No.: **29/783,855**

(22) Filed: **May 15, 2021**

(30) **Foreign Application Priority Data**

Nov. 17, 2020 (KR) 30-2020-0055614

(51) **LOC (14) Cl.** **10-04**

(52) **U.S. Cl.**
USPC **D10/70; D10/106.6**

(58) **Field of Classification Search**
USPC D10/70, 106.6
CPC A63B 24/0062; A63B 21/072; A63B 71/0622; A63B 2071/0625; A63B 2220/44; A63B 2225/50; A63B 71/0669; A63B 2220/35; A63B 2220/40; G01L 5/16; G06V 40/23; H04M 1/72409
See application file for complete search history.

(56) **References Cited**

U.S. PATENT DOCUMENTS

D758,905 S * 6/2016 Evans D10/70
D833,897 S * 11/2018 Simpson D10/104.1

D851,509 S * 6/2019 Du D10/70
D887,878 S * 6/2020 Watts D10/70
D891,277 S * 7/2020 Yang D10/70
2022/0203167 A1 * 6/2022 Lee A63B 71/0622

* cited by examiner

Primary Examiner — Antoine Duval Davis

(74) *Attorney, Agent, or Firm* — Renaissance IP Law Group LLP

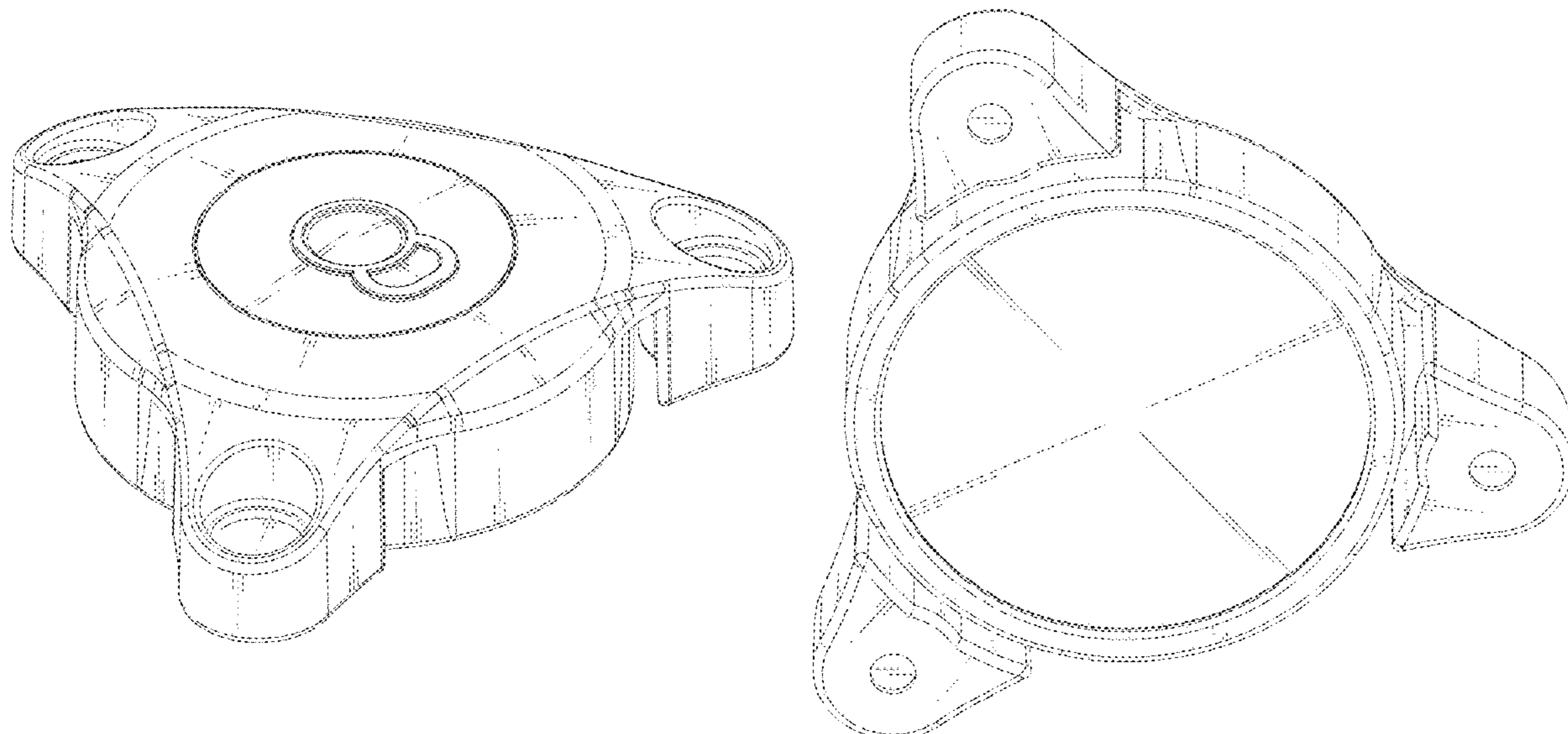
(57) **CLAIM**

The ornamental design for measuring quantity of motion sensor, as shown and described.

DESCRIPTION

FIG. 1 is a top, front and side perspective view of a measuring quantity of motion sensor showing my new design;
FIG. 2 is a front elevation view thereof;
FIG. 3 is a rear elevational view thereof;
FIG. 4 is a side elevational view thereof;
FIG. 5 is an opposite side elevational view thereof;
FIG. 6 is a top plan view thereof;
FIG. 7 is a bottom plan view thereof; and,
FIG. 8 is a bottom plan and side perspective view thereof.
The portions shown in broken lines are solely for the purpose of illustrating context only and form no part of the claimed design.

1 Claim, 8 Drawing Sheets



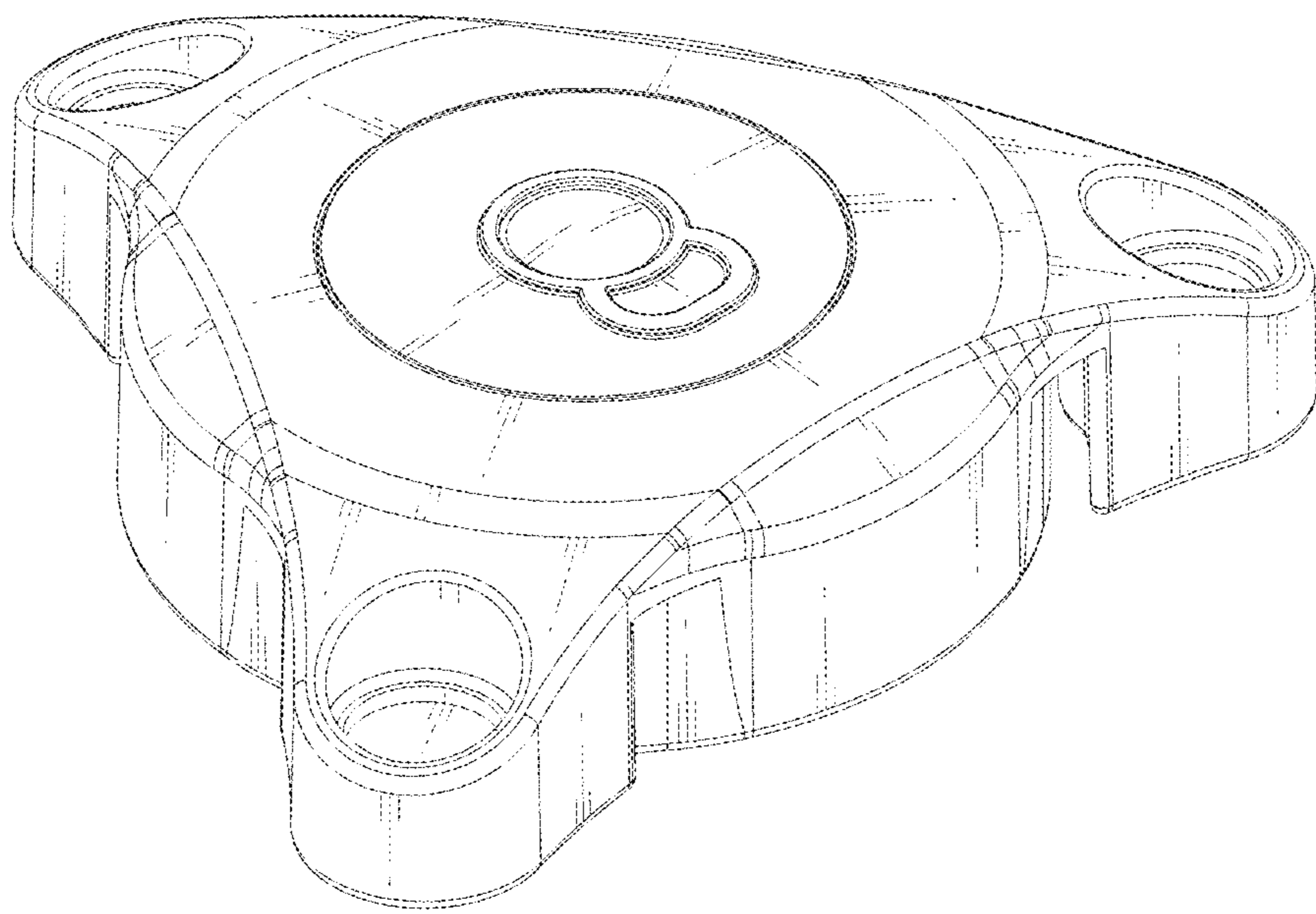


FIG. 1

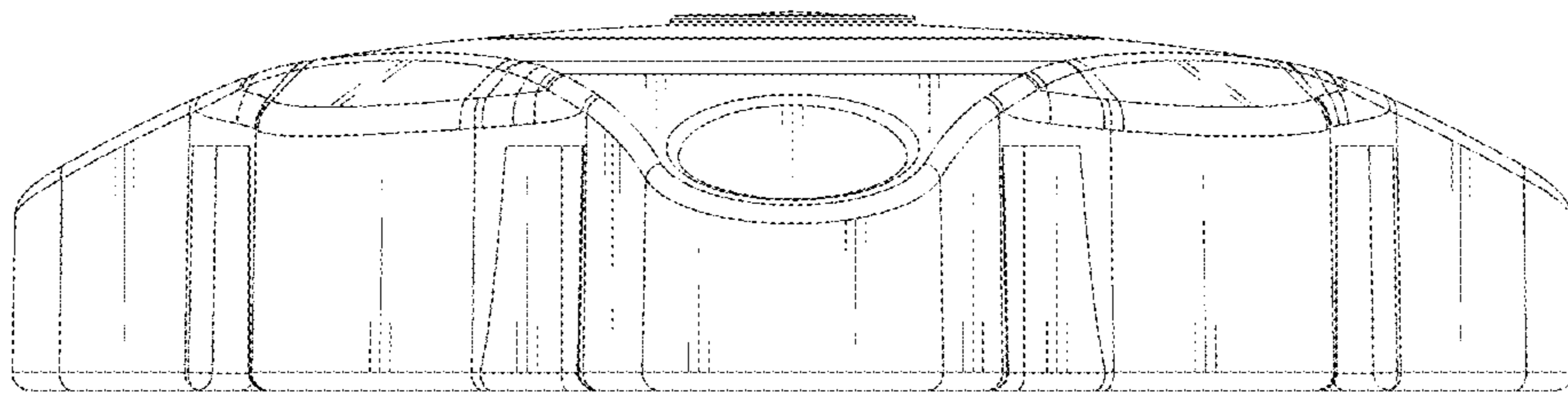


FIG.2

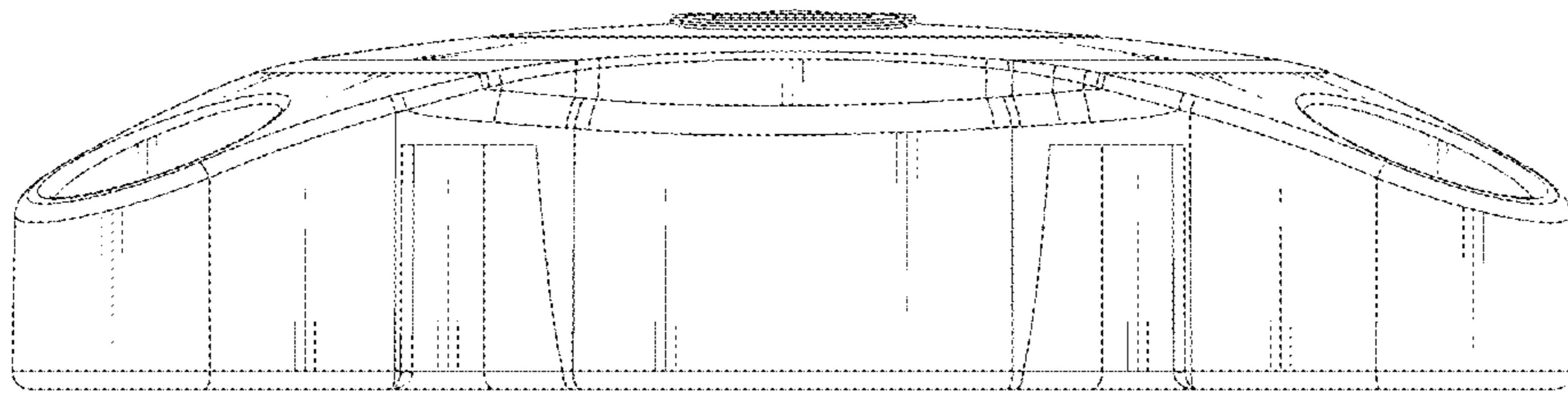


FIG.3

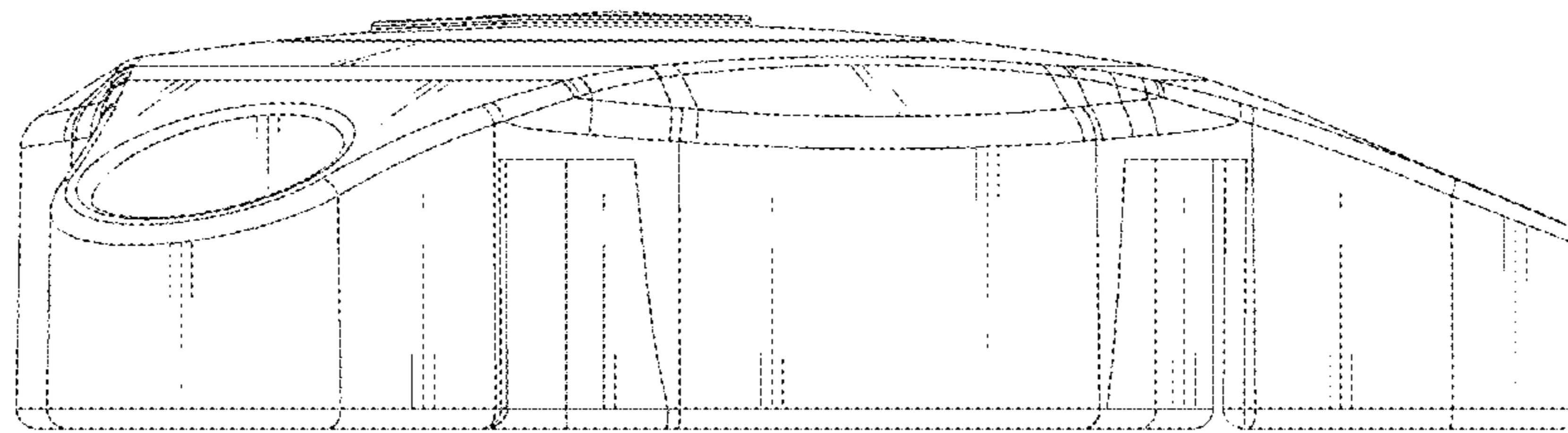


FIG.4

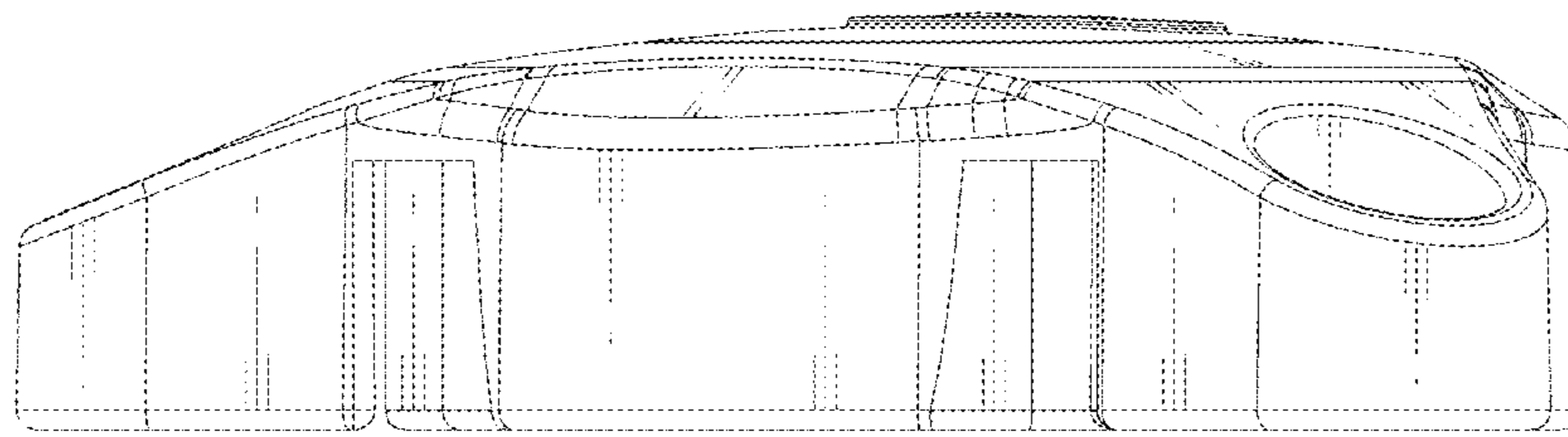


FIG.5

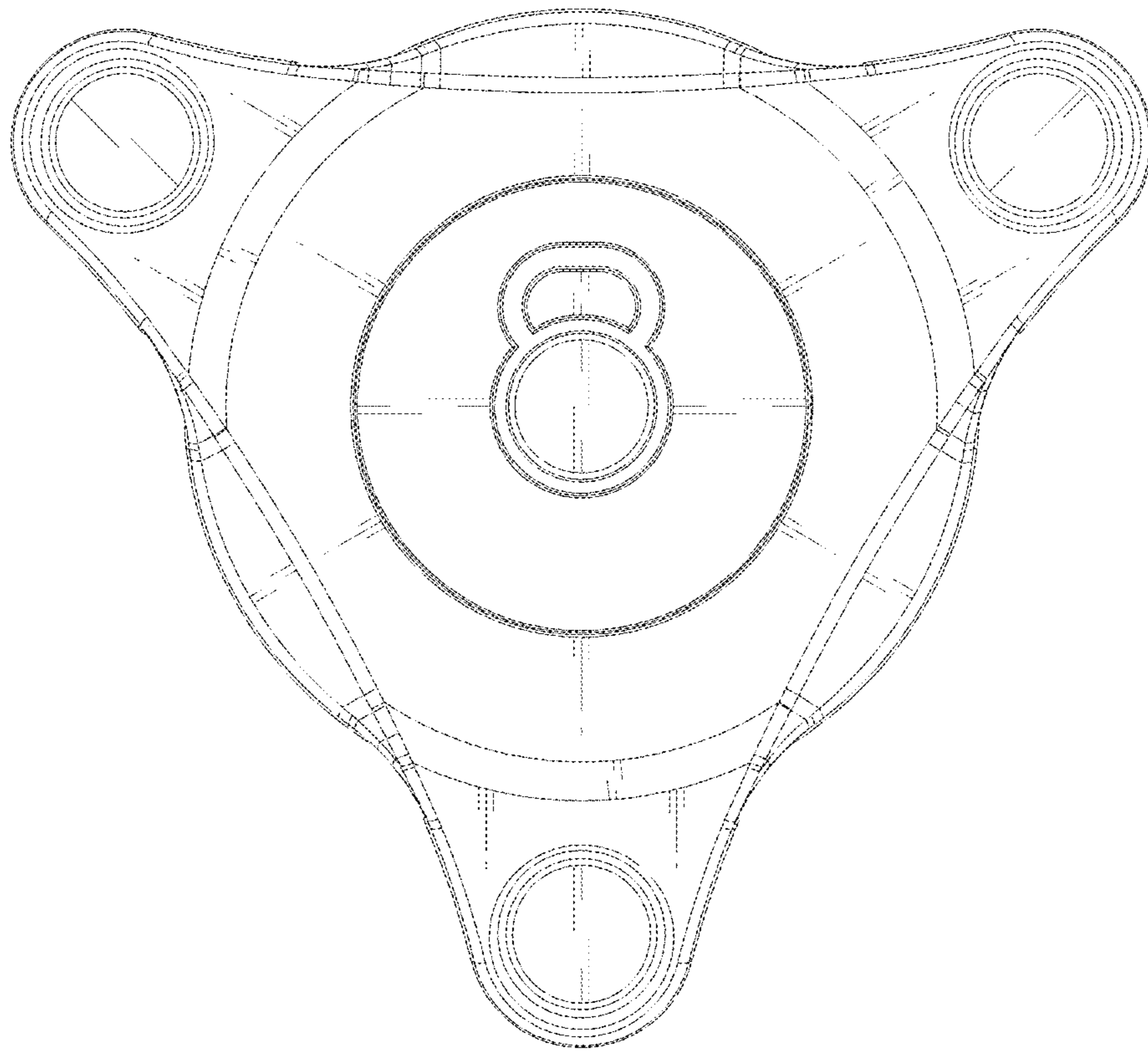


FIG.6

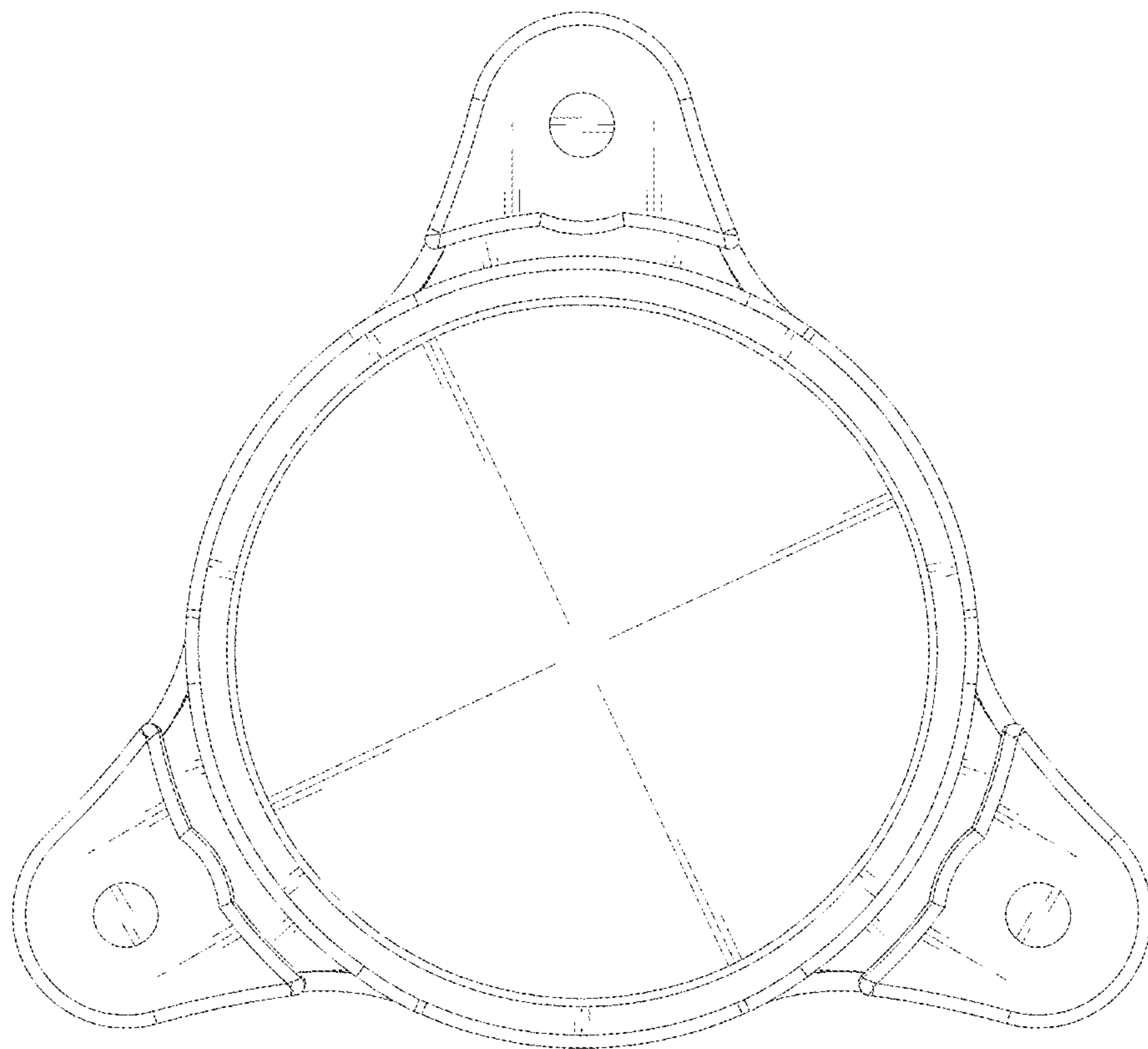


FIG. 7

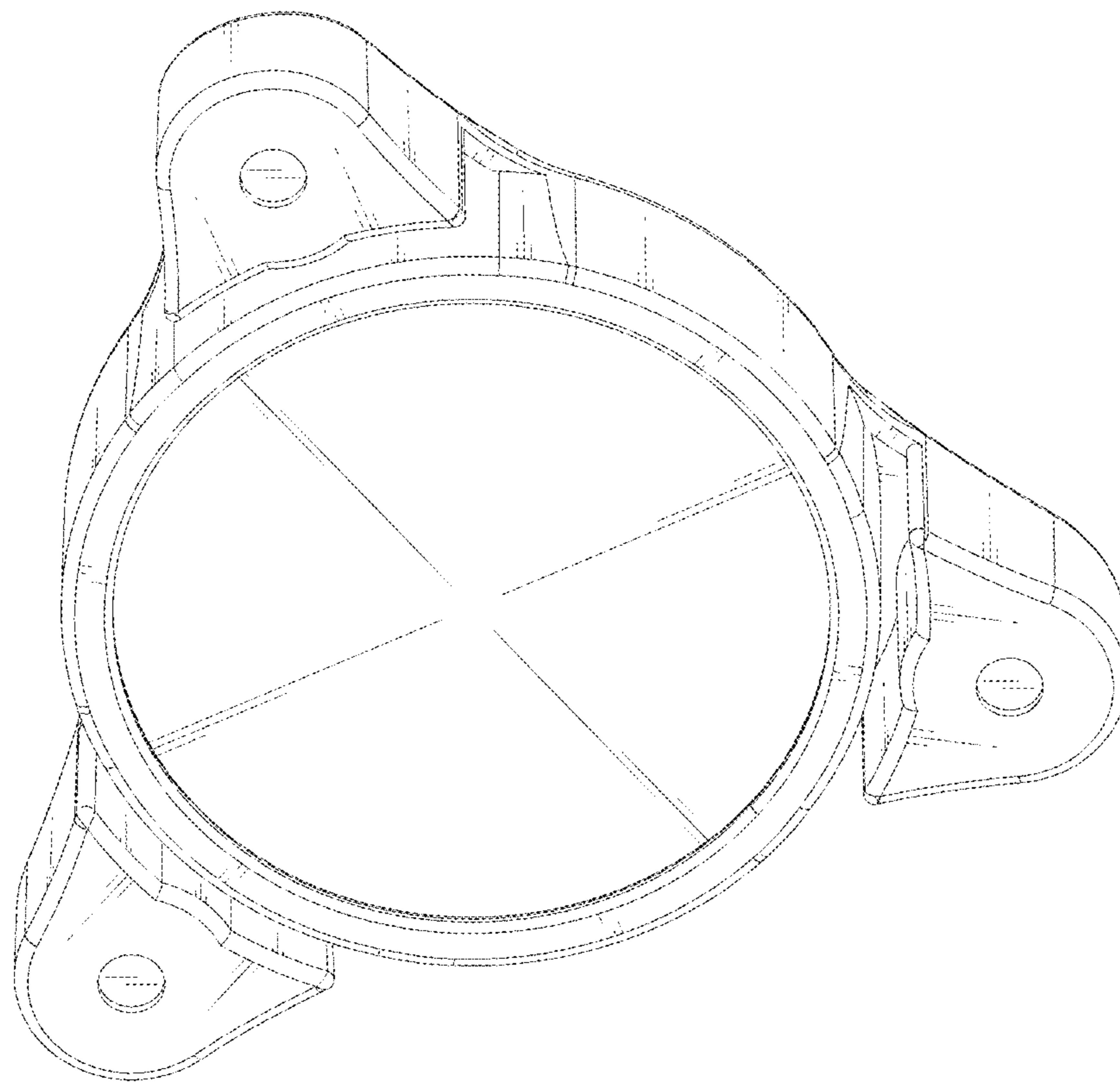


FIG.8