



US00D981879S

(12) **United States Design Patent** (10) **Patent No.:** **US D981,879 S**  
**Iwamoto et al.** (45) **Date of Patent:** **\*\* Mar. 28, 2023**

- (54) **IMAGE MEASURING DEVICE**
- (71) Applicant: **MITUTOYO CORPORATION**, Kanagawa (JP)
- (72) Inventors: **Kenji Iwamoto**, Sagamihara (JP); **Ryohei Kanno**, Kawasaki (JP); **Atsushi Hattori**, Kawasaki (JP); **Junsuke Yasuno**, Kawasaki (JP); **Takaharu Imura**, Tokyo (JP)
- (73) Assignee: **MITUTOYO CORPORATION**, Kawasaki (JP)
- (\*\*) Term: **15 Years**
- (21) Appl. No.: **29/806,866**
- (22) Filed: **Sep. 7, 2021**
- (30) **Foreign Application Priority Data**

- Mar. 5, 2021 (JP) ..... 2021-004636 D
- (51) **LOC (14) Cl.** ..... **10-04**
- (52) **U.S. Cl.**  
USPC ..... **D10/63; D10/75**
- (58) **Field of Classification Search**  
USPC ..... D10/83-86, 96-103, 46, 52, 53, 63, 65, D10/75, 74  
CPC ..... G01B 5/0004; G01B 5/20; G01B 5/0002; G01B 11/0608; G01B 5/12; G01B 5/003; G01B 5/061; G01B 21/20; G01B 11/2441; G01B 11/303; G01B 21/04; G01B 11/12; G01B 5/004; G01B 7/008; G01B 21/045; G01B 21/042; F16D 13/10; F16H 19/025; F16H 25/12; Y10T 74/18696; G01M 15/042; B23Q 17/22; G05B 19/404; G05B 2219/37619; G05B 2219/50139; G05B 2219/49195; G05B 2219/39021
- See application file for complete search history.

- (56) **References Cited**  
U.S. PATENT DOCUMENTS  
D659,575 S \* 5/2012 Matsumiya ..... D10/74  
D713,745 S \* 9/2014 Chang ..... D10/63  
D714,168 S \* 9/2014 Verdi ..... D10/63

D719,039 S 12/2014 Chang et al.  
D731,904 S \* 6/2015 Stohr ..... D10/63  
(Continued)

**FOREIGN PATENT DOCUMENTS**

CN 303067903 \* 7/2014  
CN 305070158 \* 9/2018  
CN 306091540 \* 5/2020  
CN 307434939 \* 3/2022  
CN 307650827 \* 8/2022  
(Continued)

**OTHER PUBLICATIONS**

Gear Technology, Mitutoyo America Corporation Introduces Quick Vision Pro Series, Date first available Jul. 12, 2022, [online] retrieved Dec. 16, 2022, available from <https://www.geartechnology.com/articles/29973-mitutoyo-america-corporation-introduces-quick-vision-pro-series> (Year: 2022).  
(Continued)

*Primary Examiner* — Keli L Hill  
*Assistant Examiner* — Sara S Sahneh  
(74) *Attorney, Agent, or Firm* — Oliff PLC

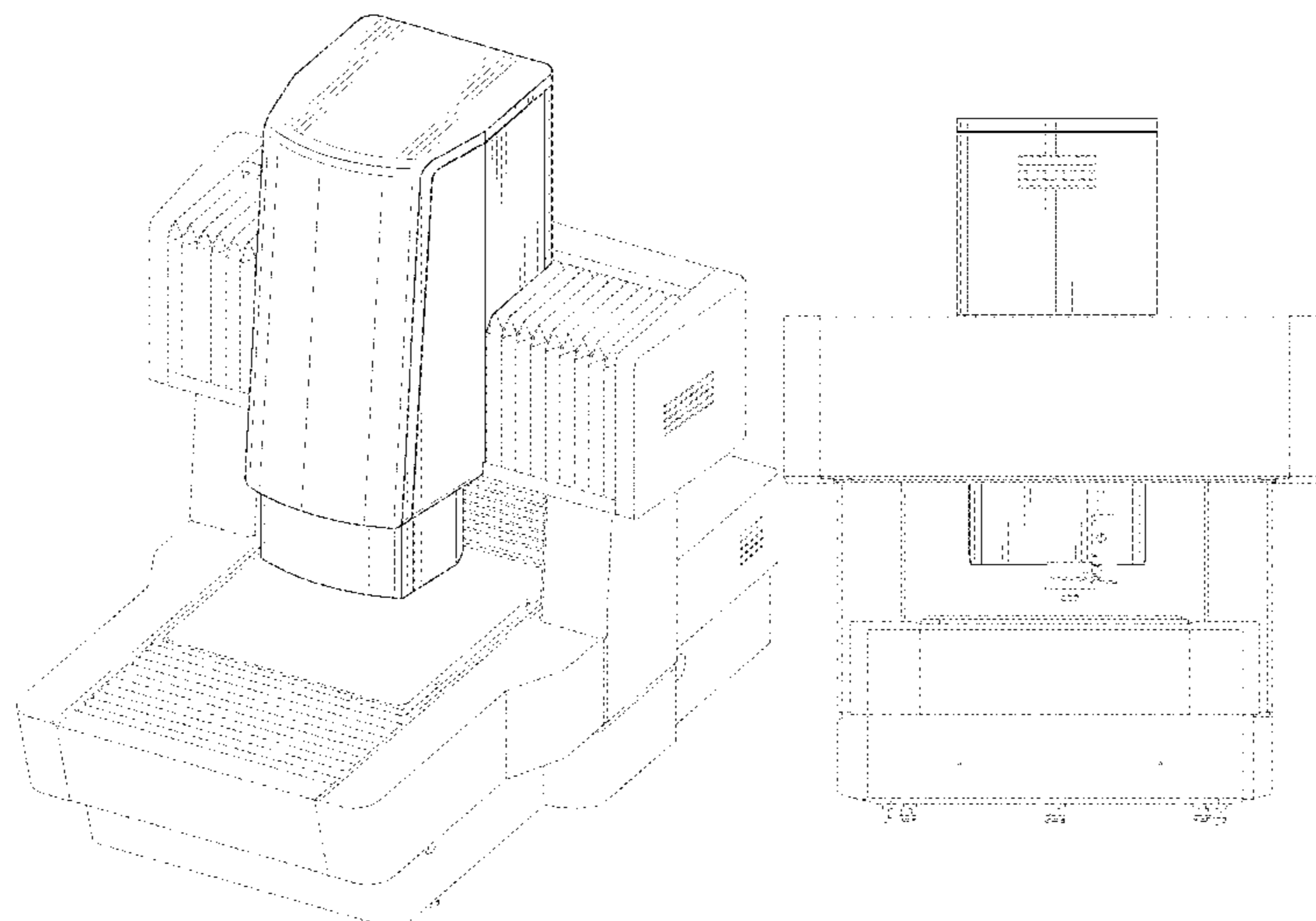
(57) **CLAIM**

The ornamental design for an image measuring device, as shown and described.

**DESCRIPTION**

FIG. 1 is a front, right-side, top perspective view of an image measuring device, showing the new design; FIG. 2 is a front elevational view thereof; FIG. 3 is a rear elevational view thereof; FIG. 4 is a left-side elevational view thereof; FIG. 5 is a right-side elevational view thereof; FIG. 6 is a top plan view thereof; and, FIG. 7 is a rear, left-side, top perspective view thereof. The broken lines depict parts of the image measuring device that form no part of the claimed design.

**1 Claim, 7 Drawing Sheets**



(56)

**References Cited**

U.S. PATENT DOCUMENTS

D783,424	S	4/2017	Matsumiya et al.	
D806,585	S	1/2018	Matsumiya et al.	
D806,586	S	1/2018	Matsumiya et al.	
D847,676	S *	5/2019	Matsumiya .....	D10/63
D848,883	S *	5/2019	Matsumiya .....	D10/63
2010/0241267	A1 *	9/2010	Nishikawa .....	B23Q 17/20
				700/195
2011/0128427	A1 *	6/2011	Chang .....	G02B 21/244
				348/E5.042
2017/0061614	A1 *	3/2017	Kurihara .....	G06T 7/60
2017/0241759	A1 *	8/2017	Werner .....	G01B 5/20
2017/0248416	A1 *	8/2017	Sakai .....	G01B 5/003
2017/0363411	A1 *	12/2017	Nagahama .....	G01B 9/02015
2019/0220185	A1	7/2019	Cho et al.	
2021/0033377	A1 *	2/2021	Ishii .....	G01B 5/008

FOREIGN PATENT DOCUMENTS

GB	9003358548-0003	*	8/2016
JP	2019-124688 A		7/2019

OTHER PUBLICATIONS

Mitutoyo, Mitutoyo America Corporation Introduces Formtracer Avant Series, Date first available Oct. 1, 2020, [online] retrieved Dec. 16,

2022, available from <https://www.businesswire.com/news/home/20201001005006/en/Mitutoyo-America-Corporation-Introduces-FORMTRACER-Avant-Series> (Year: 2020).\*

Japanese Publication Material No. HA 0901321600, published Jul. 1, 1997.

Japanese Publication Material No. HC 2400889300, published Sep. 7, 2012.

Japanese Publication Material No. HC2400889500, published on Sep. 5, 2012.

Japanese Publication Material No. HN1100147500.

Japanese Design Registration No. 1158477 S, registered Sep. 27, 2002.

Japanese Design Registration No. 1158478 S, registered Sep. 27, 2002.

Japanese Design Registration No. 1159682 S, registered Oct. 11, 2002.

Japanese Design Registration No. 1258752 S, registered Nov. 4, 2005.

Japanese Design Registration No. 1321309 S, registered Jan. 11, 2008.

Japanese Design Registration No. 1321710 S, registered Jan. 11, 2008.

Jan. 4, 2022 Office Action issued in Japanese Patent Application No. 2021-004636.

\* cited by examiner

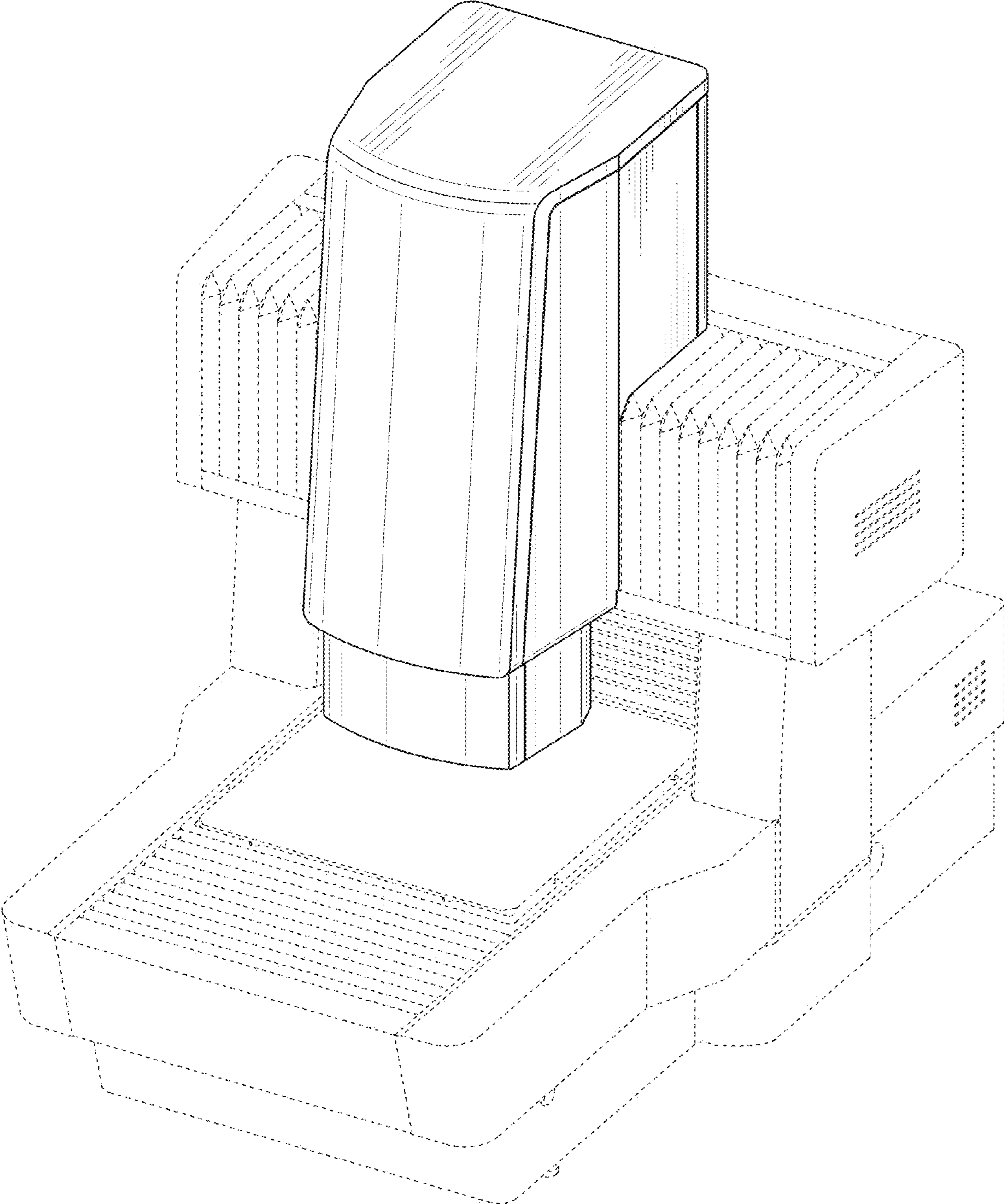


FIG. 1

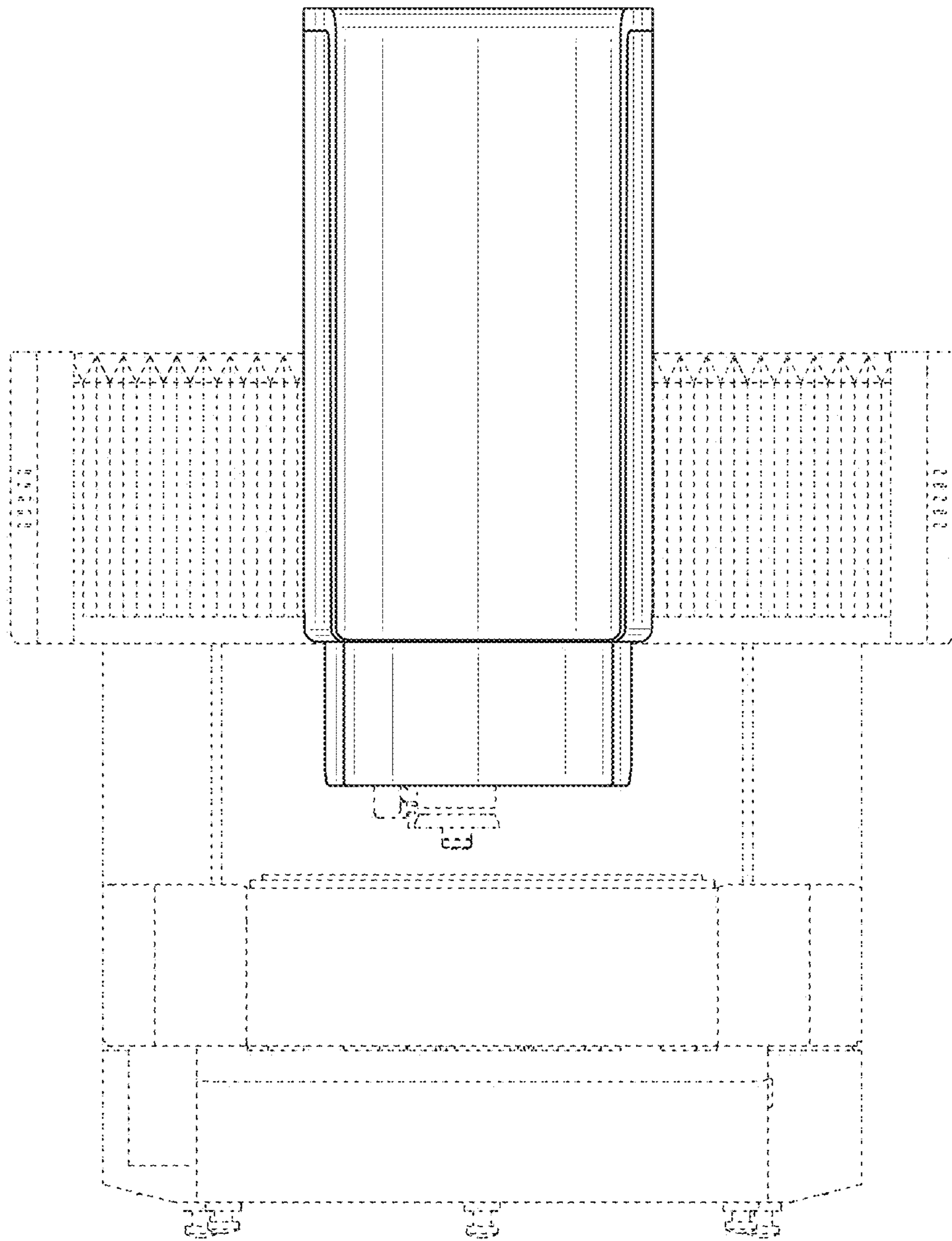


FIG. 2

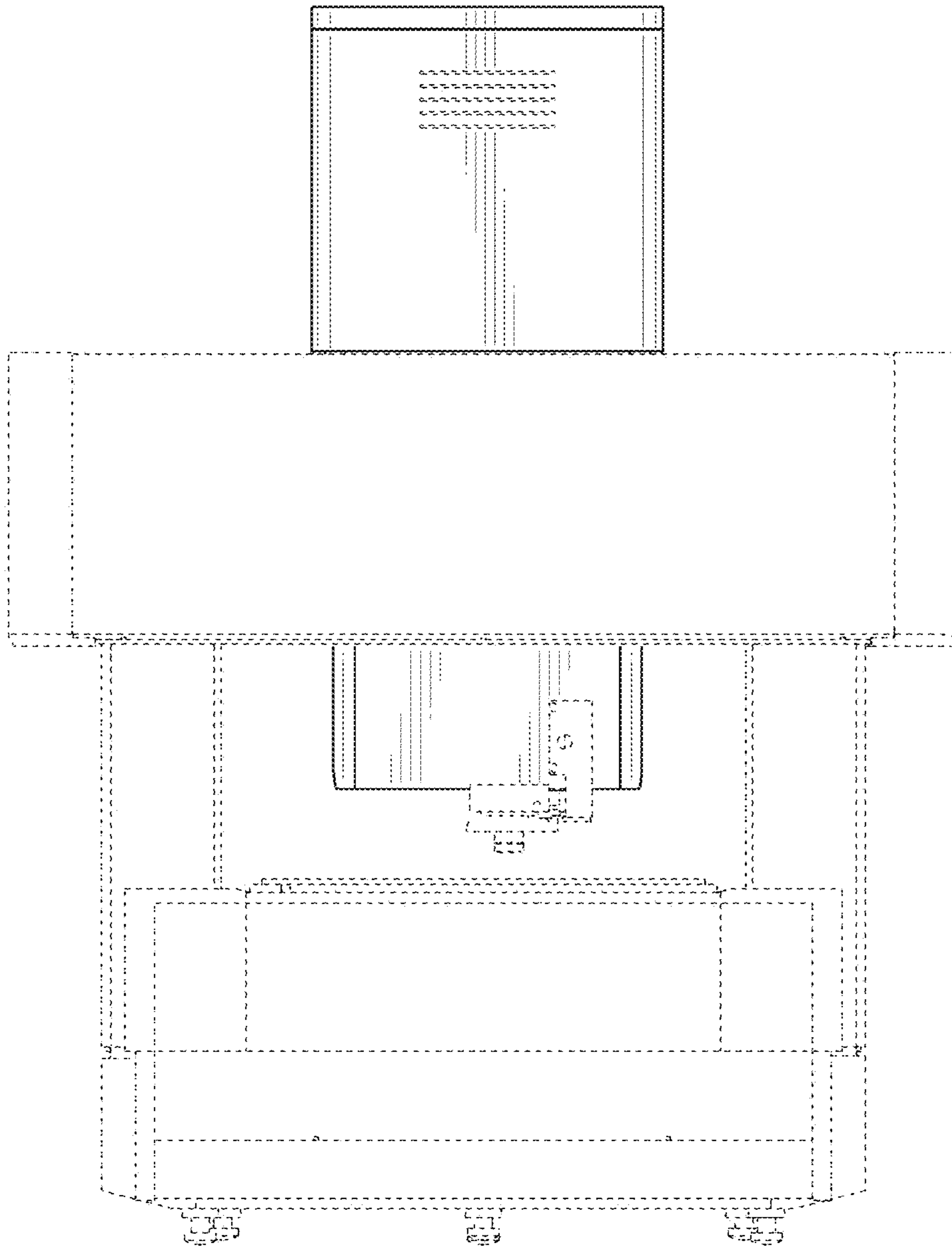


FIG. 3

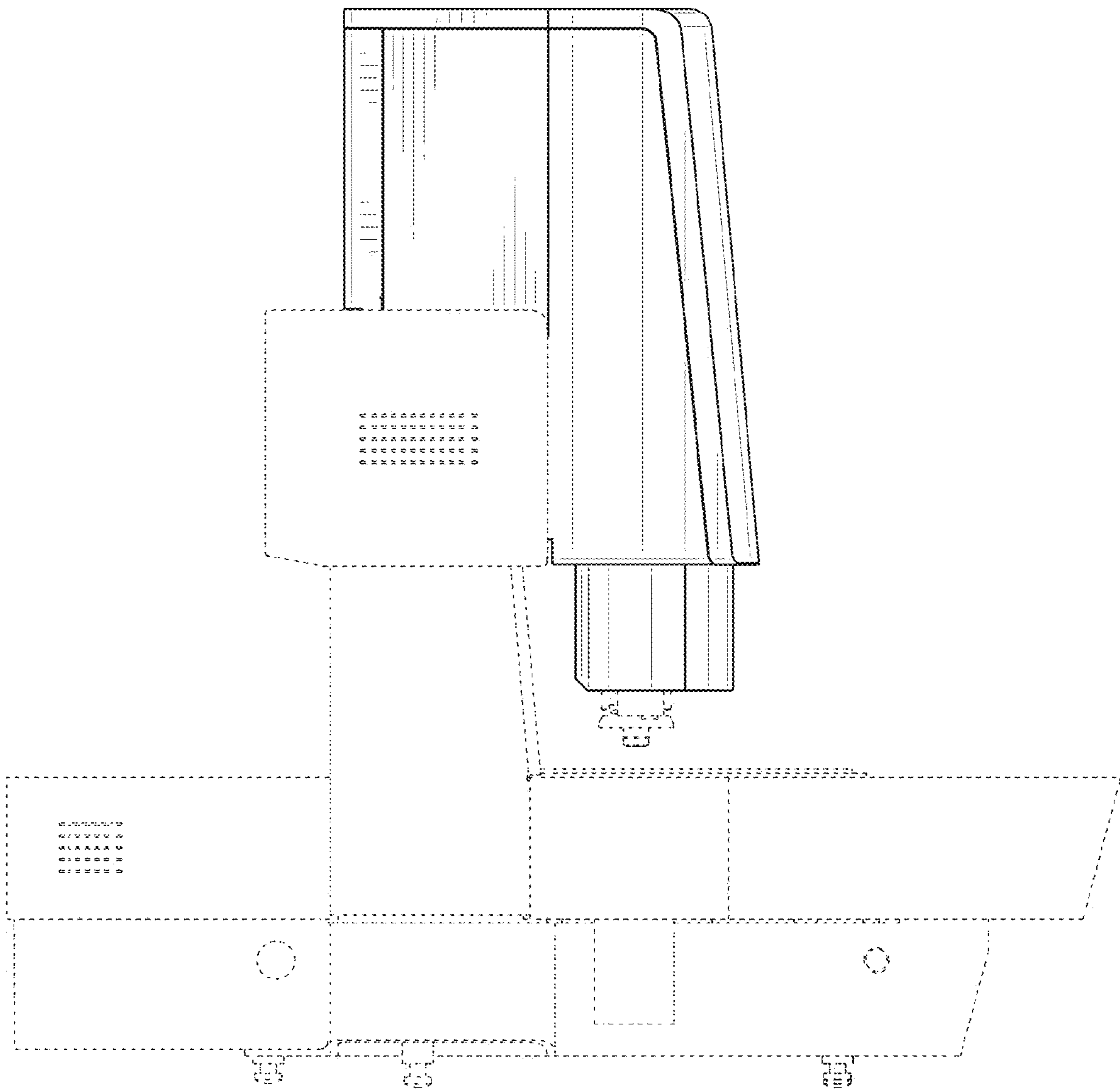


FIG. 4

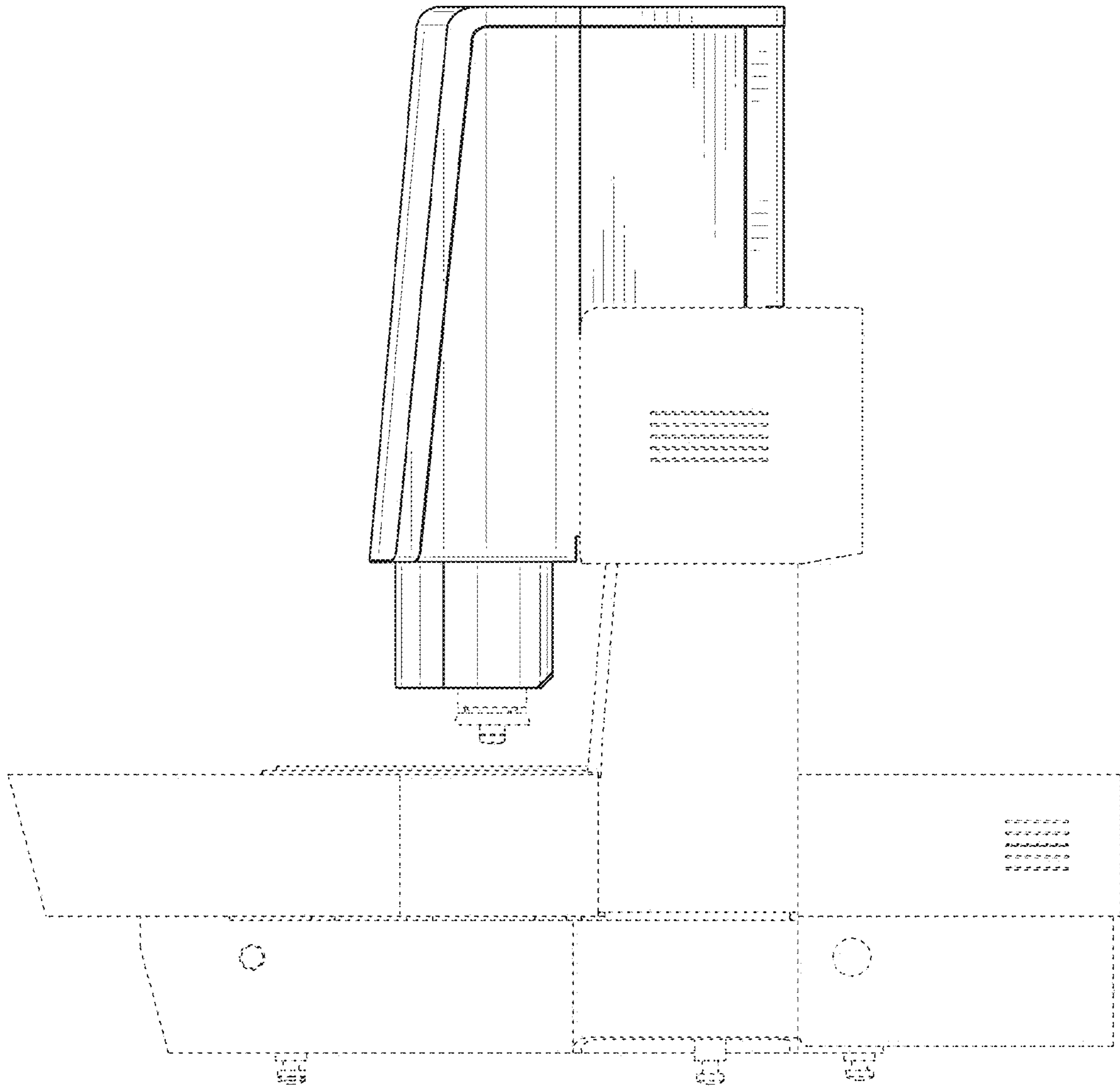


FIG. 5

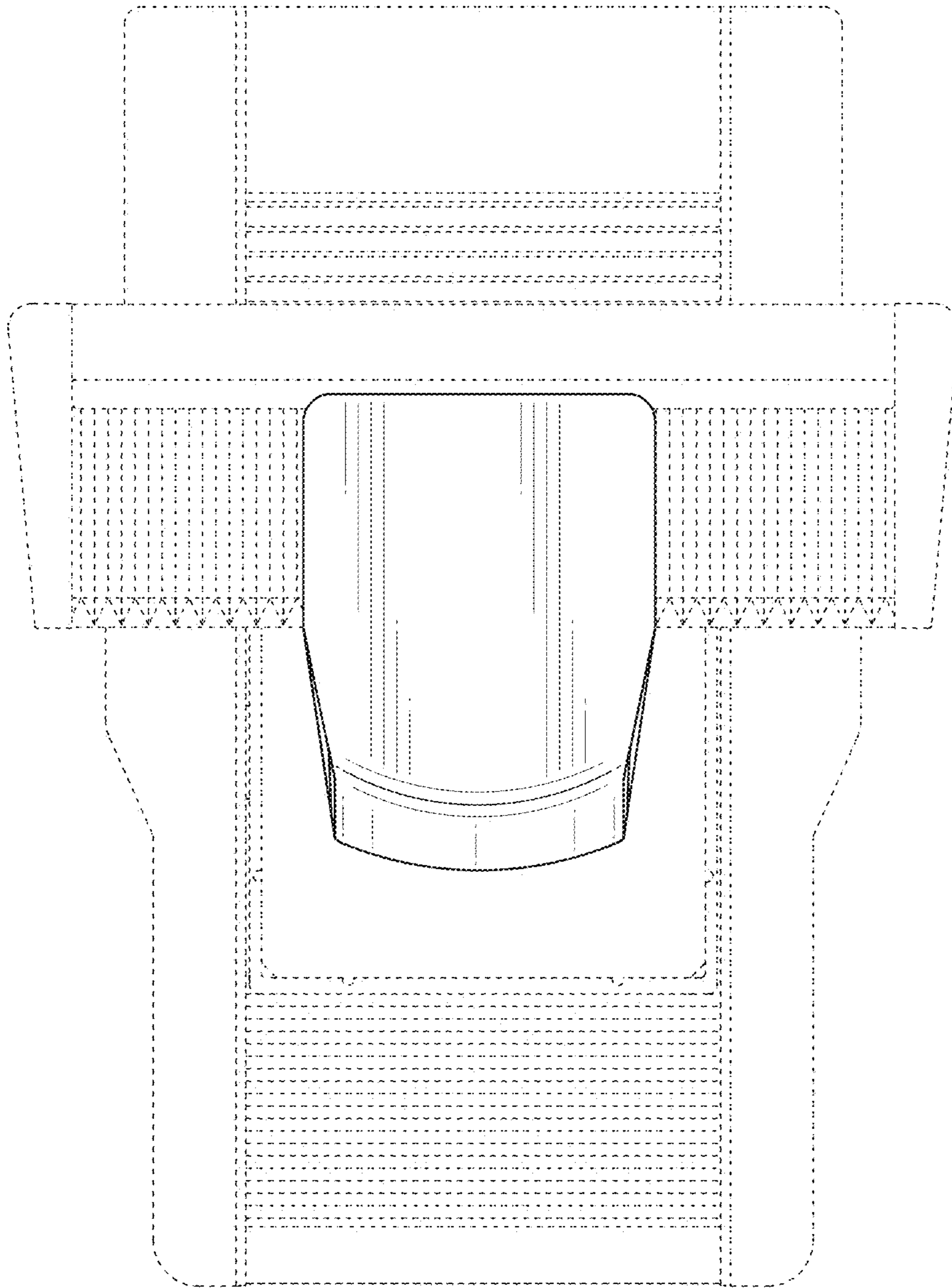


FIG. 6



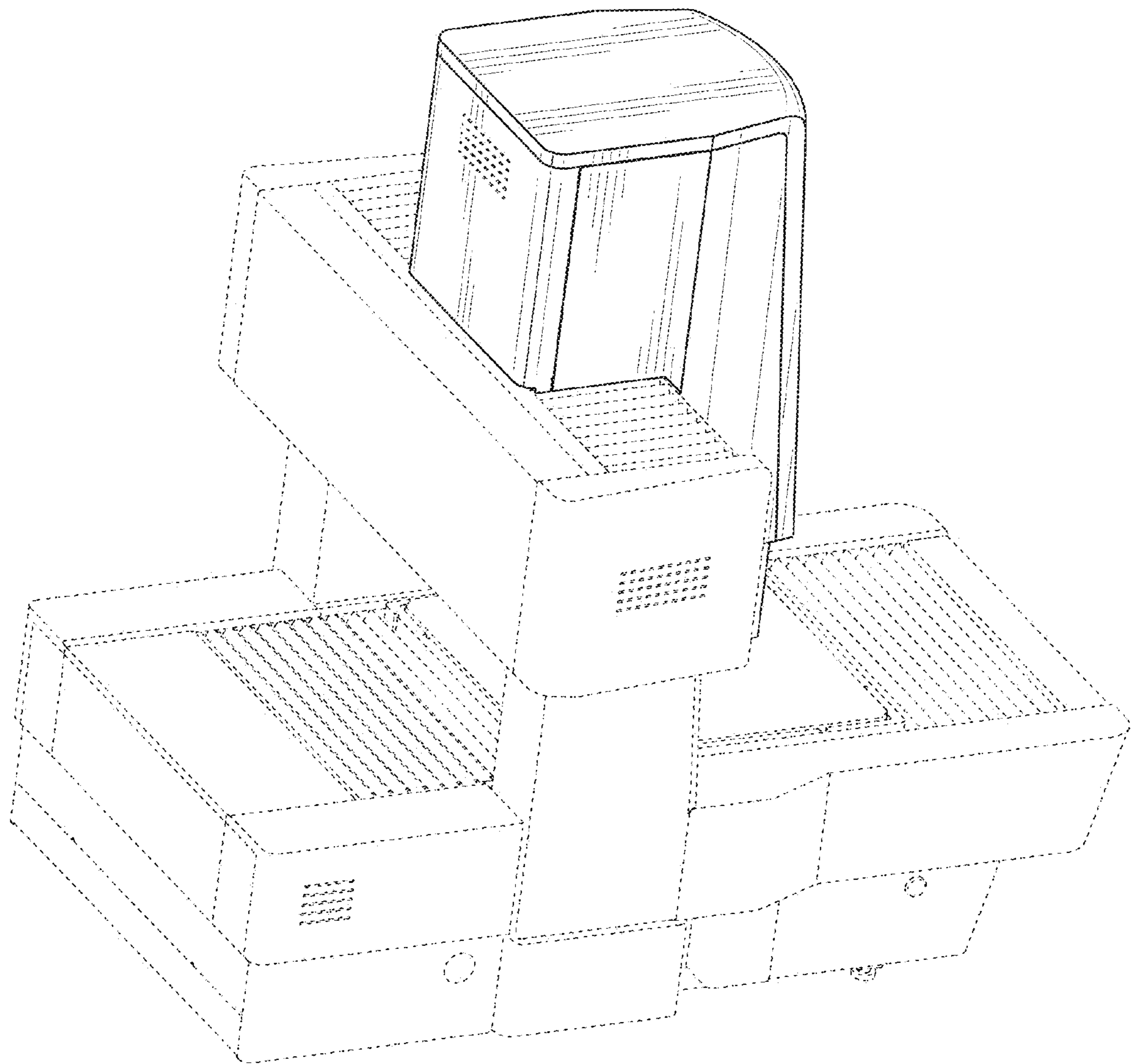


FIG. 7