



US00D981878S

(12) **United States Design Patent**
Bennetts et al.

(10) **Patent No.:** **US D981,878 S**
(45) **Date of Patent:** **** Mar. 28, 2023**

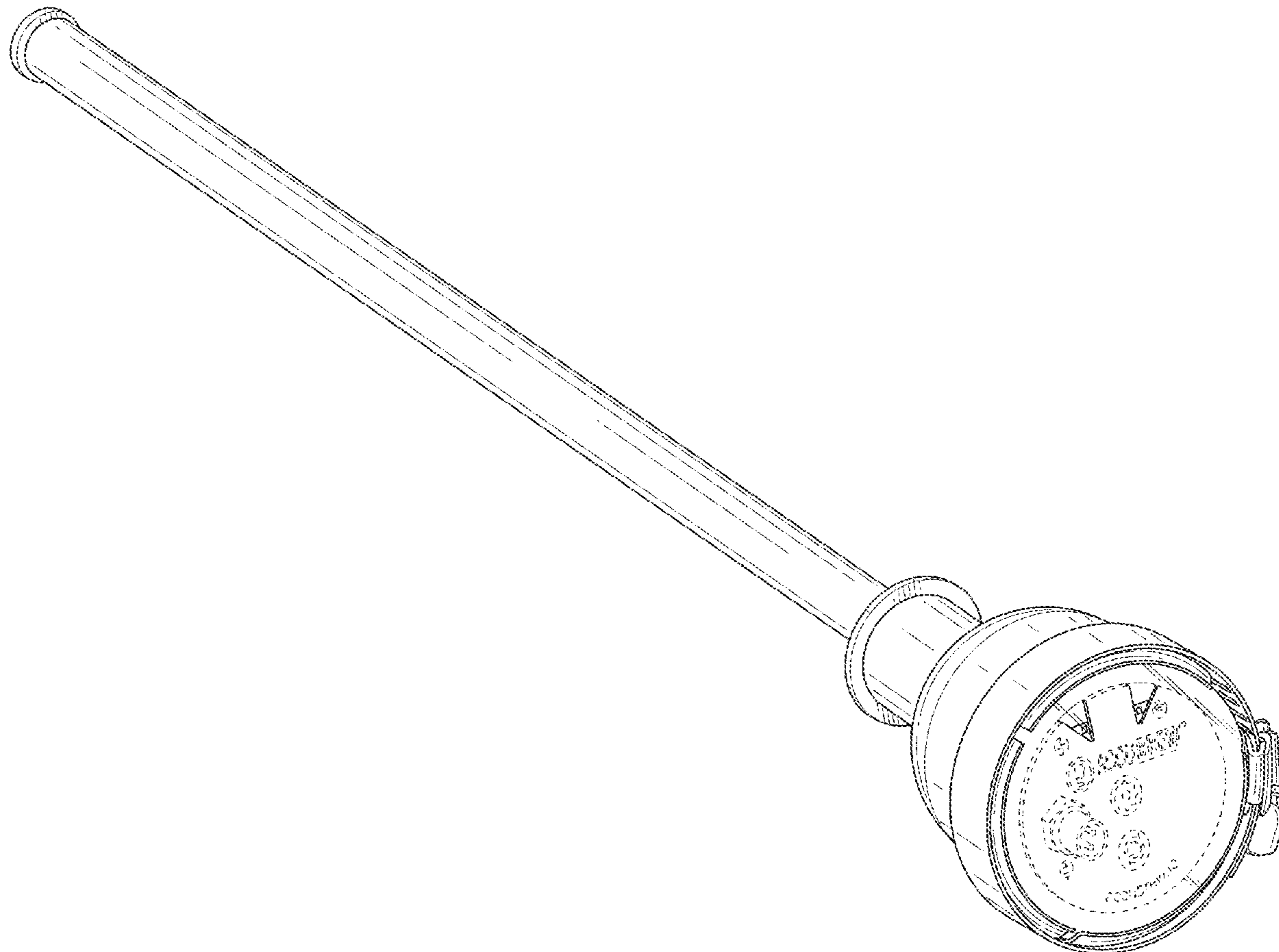
- (54) **BREWING/FERMENTING MEASUREMENT DEVICE**
- (71) Applicant: **Gulf Photonics, Inc.**, Oldsmar, FL (US)
- (72) Inventors: **Patrick Bennetts**, St. Petersburg, FL (US); **Craig Scott Vogeley**, Palm Harbor, FL (US); **Bradley Paul Fernandez**, Oldsmar, FL (US); **Christopher Thomas Bailey**, Spring Hill, FL (US)
- (73) Assignee: **Gulf Photonics, Inc.**, Oldsmar, FL (US)
- (**) Term: **15 Years**
- (21) Appl. No.: **29/784,212**
- (22) Filed: **May 18, 2021**
- (51) **LOC (14) Cl.** **10-04**
- (52) **U.S. Cl.**
USPC **D10/46; D10/103**
- (58) **Field of Classification Search**
USPC **D10/46, 103**
CPC **C12C 11/00; C12C 11/003; C12C 13/10; C12F 3/10; C12M 41/00; C12M 41/12; C12M 41/44; G01N 21/01; G01N 21/84**
See application file for complete search history.

(56) **References Cited**
U.S. PATENT DOCUMENTS
9,932,547 B2* 4/2018 Mitchell C12C 13/10
* cited by examiner
Primary Examiner — Antoine Duval Davis
(74) *Attorney, Agent, or Firm* — Larson & Larson, P.A.; Frank Liebenow

(57) **CLAIM**
The ornamental design for a brewing/fermenting measurement device, as shown and described.

DESCRIPTION
FIG. 1 is a perspective view of a brewing/fermenting measurement device showing our new design; FIG. 2 is a front elevation view thereof; FIG. 3 is a rear elevation view thereof; FIG. 4 is a left side elevation view thereof; FIG. 5 is a right side elevation view thereof; FIG. 6 is a top plan view thereof; FIG. 7 is a bottom plan view thereof; and, FIG. 8 is a second perspective view thereof. The broken lines depict portions of the brewing/fermenting measurement device that form no part of the claimed design.

1 Claim, 5 Drawing Sheets



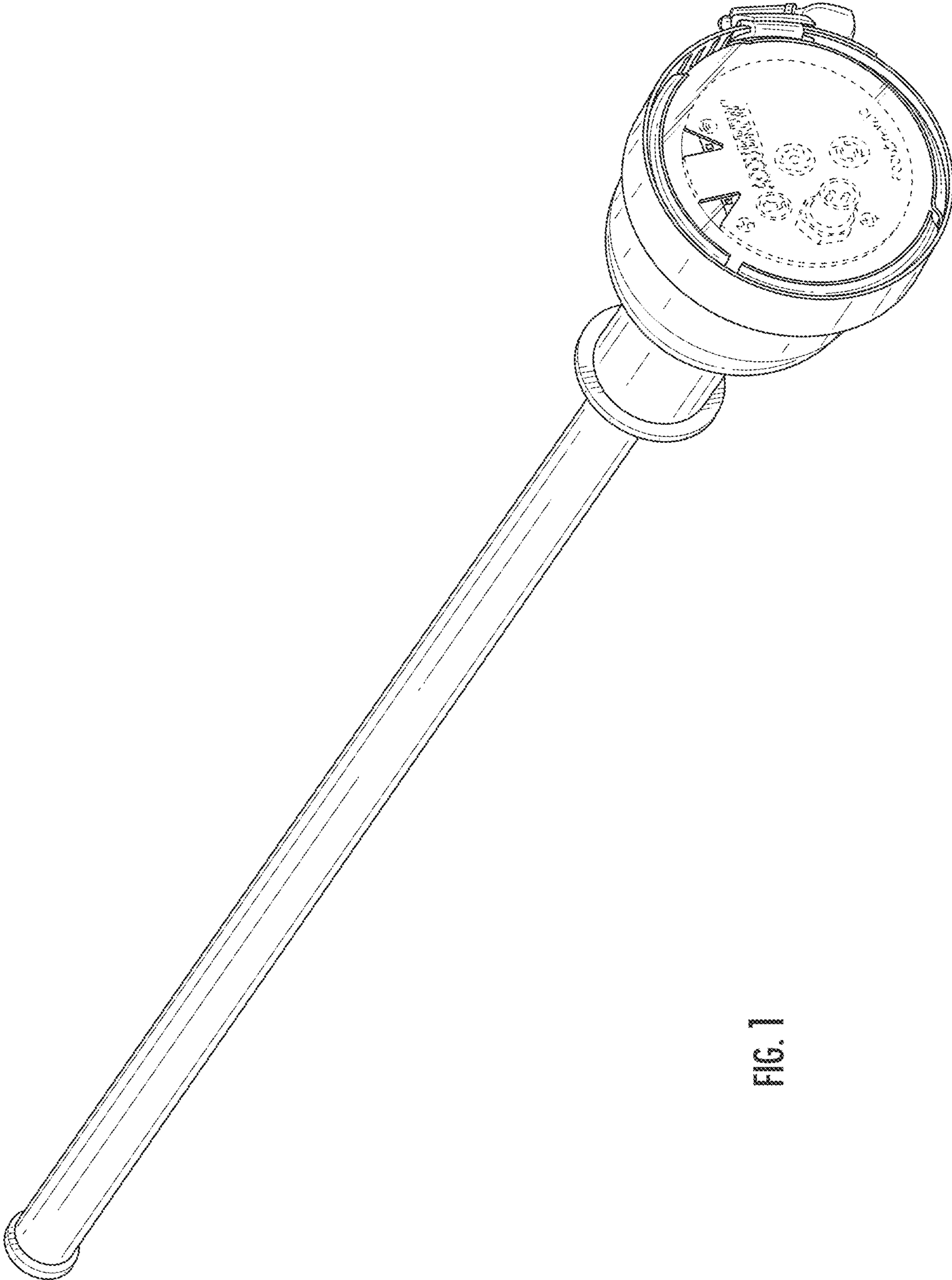


FIG. 1

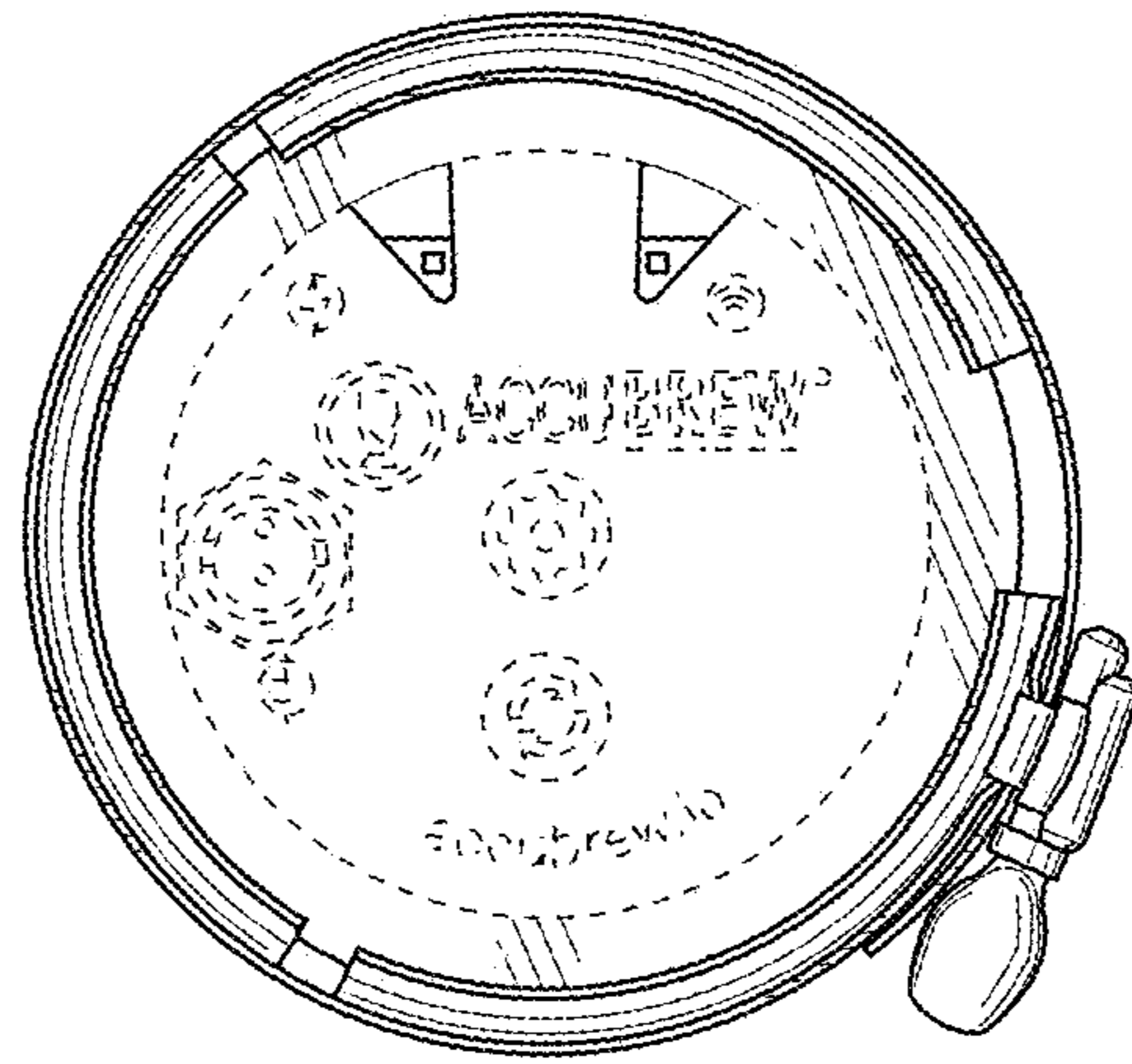


FIG. 2

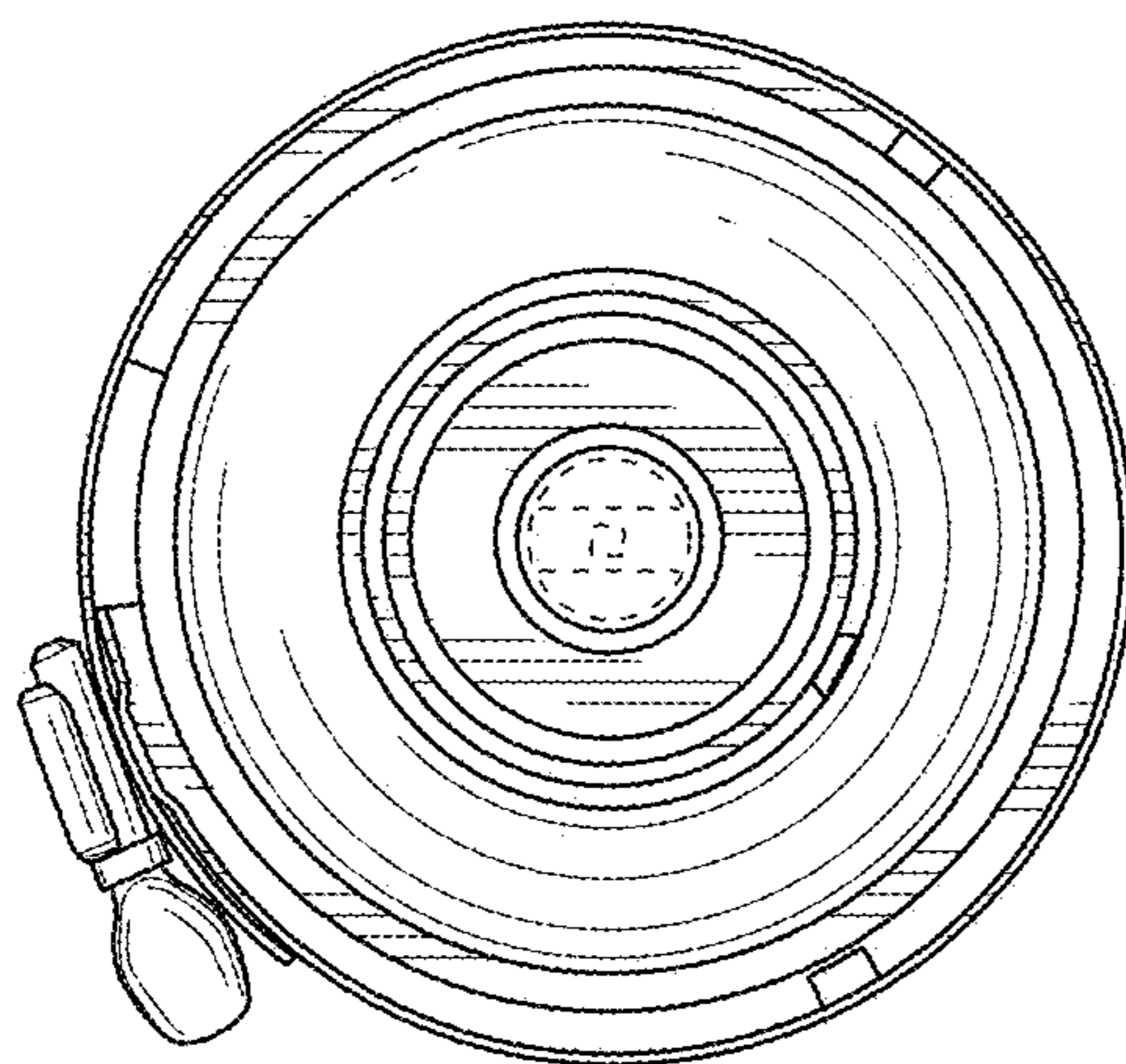


FIG. 3

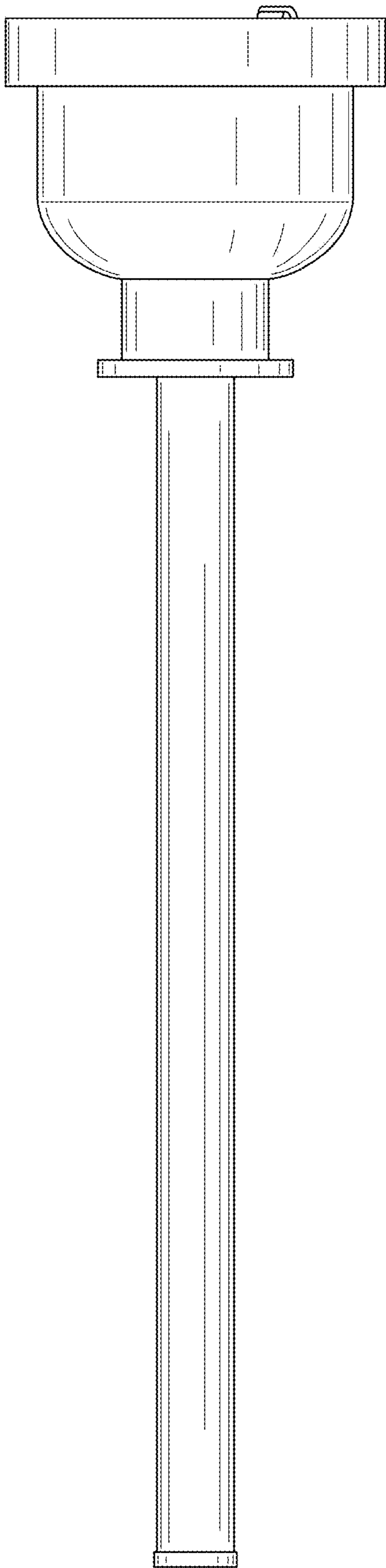


FIG. 4

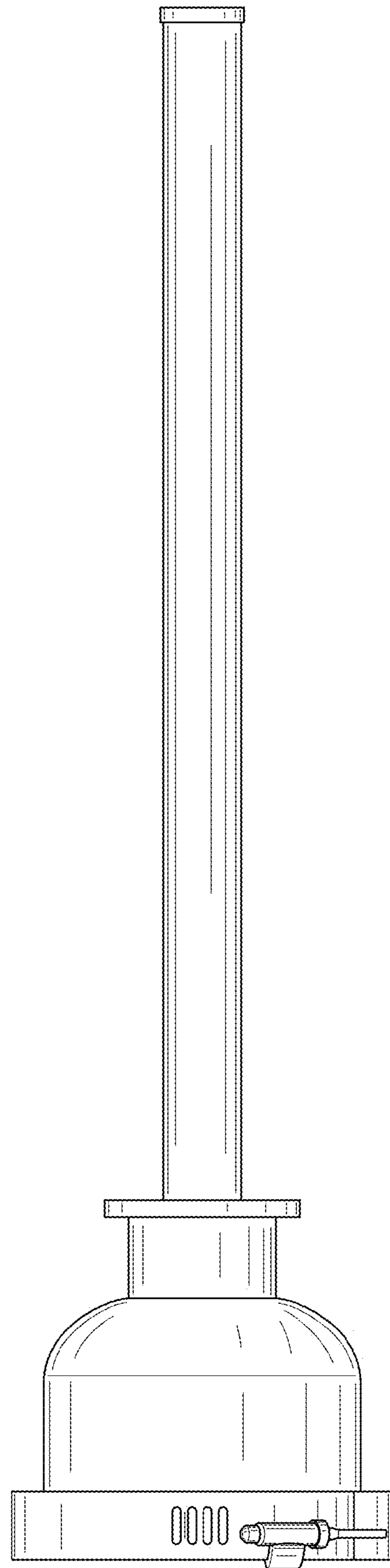


FIG. 5

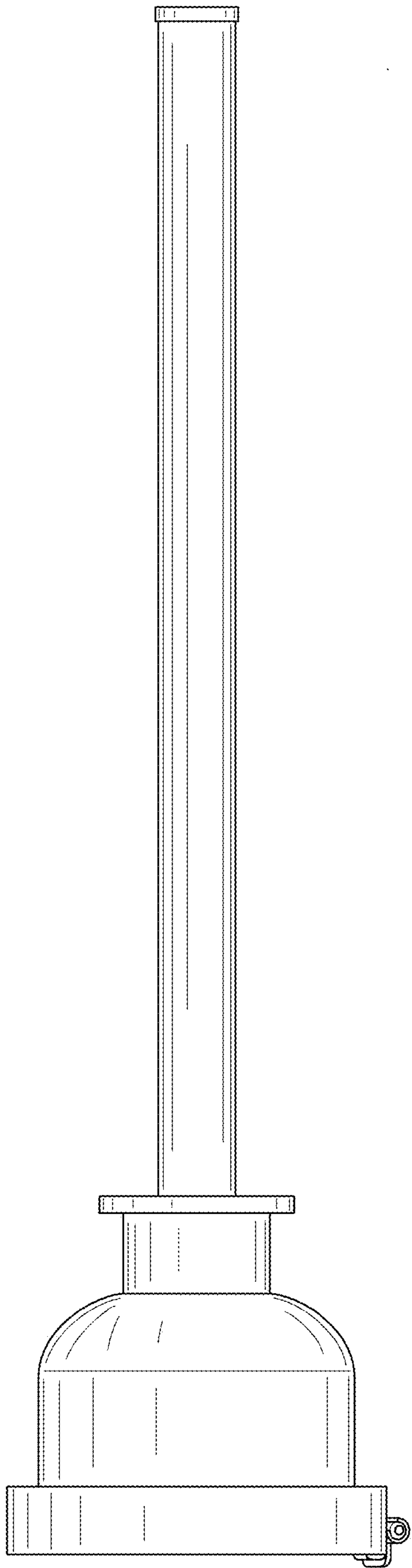


FIG. 6

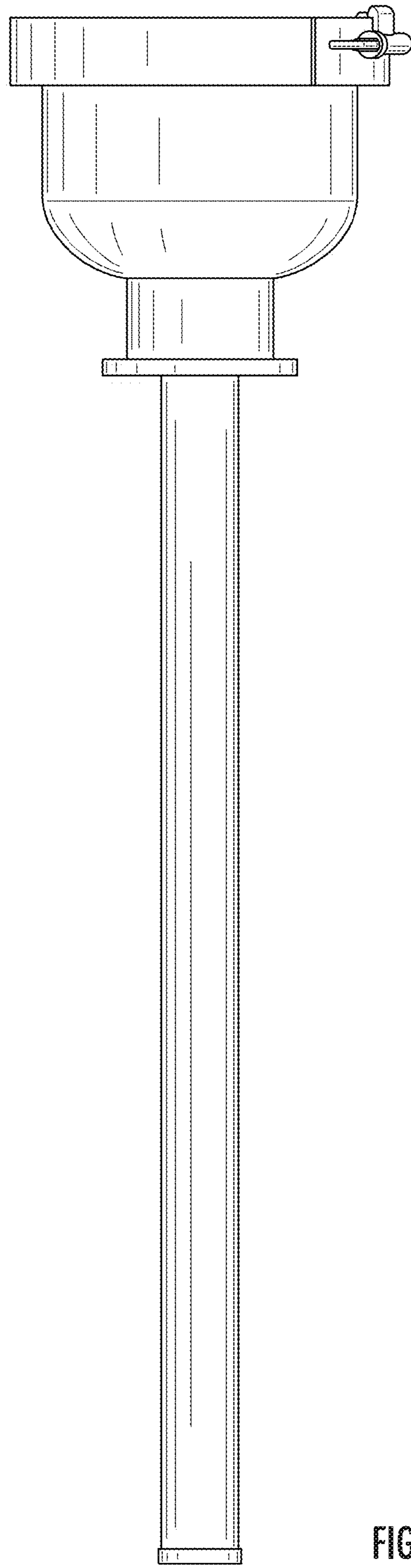


FIG. 7

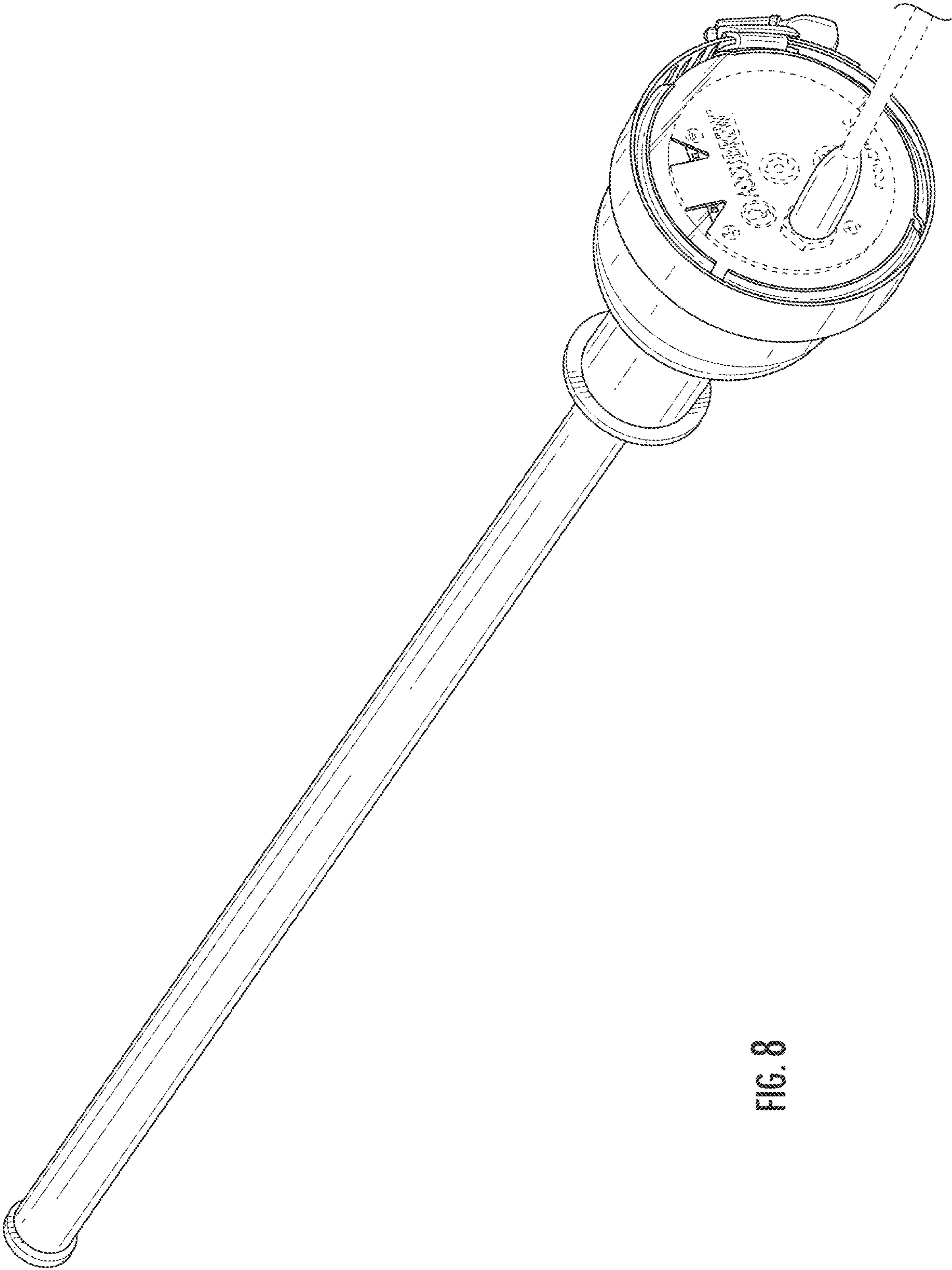


FIG. 8