



US00D981874S

(12) **United States Design Patent** (10) **Patent No.:** **US D981,874 S**
Valentine (45) **Date of Patent:** **** Mar. 28, 2023**

(54) **DISPENSING BOX** 1,292,463 A * 1/1919 Hayashi B65D 83/10
221/102
(71) Applicant: **DeRoyal Industries, Inc.**, Powell, TN 1,380,561 A 6/1921 Kaufmann
(US) 1,860,324 A 5/1932 Einson
2,006,445 A 7/1935 Davidson
(72) Inventor: **Ethan Edward Valentine**, Knoxville, 2,030,996 A 2/1936 Lustig
TN (US) 2,031,575 A 2/1936 Roe
2,137,906 A 11/1938 Cummings
(73) Assignee: **DeRoyal Industries, Inc.**, Powell, TN 2,321,473 A * 6/1943 Ferguson B65D 5/5007
(US) 229/161
2,517,030 A 8/1950 Ringler
(**) Term: **15 Years** D249,764 S * 10/1978 Burklacich D6/517
D269,068 S * 5/1983 Mann, Sr. D9/418
D321,134 S * 10/1991 Toinet D9/733
(21) Appl. No.: **29/808,172** 5,375,702 A 12/1994 Fiallo
5,425,474 A * 6/1995 Dalea B65D 5/725
206/499

(Continued)

(22) Filed: **Sep. 17, 2021**
(51) **LOC (14) Cl.** **09-03**
(52) **U.S. Cl.**
USPC **D9/733**; D9/430; D9/418
(58) **Field of Classification Search**
USPC D9/414, 418, 430, 431, 433, 730, 733,
D9/734; D6/657, 678.3
CPC B65D 2571/0066; B65D 5/725; B65D
2571/00574; B65D 2571/0058; B65D
83/0805; B65D 83/0847; B65D 5/4204;
B65D 5/724; B65D 83/0894; B65D 5/42;
B65D 2571/00543; B65D 83/0811; B65D
2571/00271; B65D 83/00; B65D
2571/00277; B65D 5/726; B65D
2571/00308; B65D 2571/0037; B65D
25/54; B65D 2571/00209; B65D
2571/00475; B65D 5/72; B65D 77/02;
B65D 1/22; B65D 2571/00302; B65D
2571/00487; B65D 2571/00623; B65D
2571/00629; A47F 1/04; A47F 1/08;
A47K 10/424
See application file for complete search history.

FOREIGN PATENT DOCUMENTS

GB 1210962 A 11/1970
GB 2442755 A 4/2008

Primary Examiner — Lauren R Calve
(74) Attorney, Agent, or Firm — Luedeka Neely Group,
PC

(57) **CLAIM**

The ornamental design for a dispensing box, as shown and described.

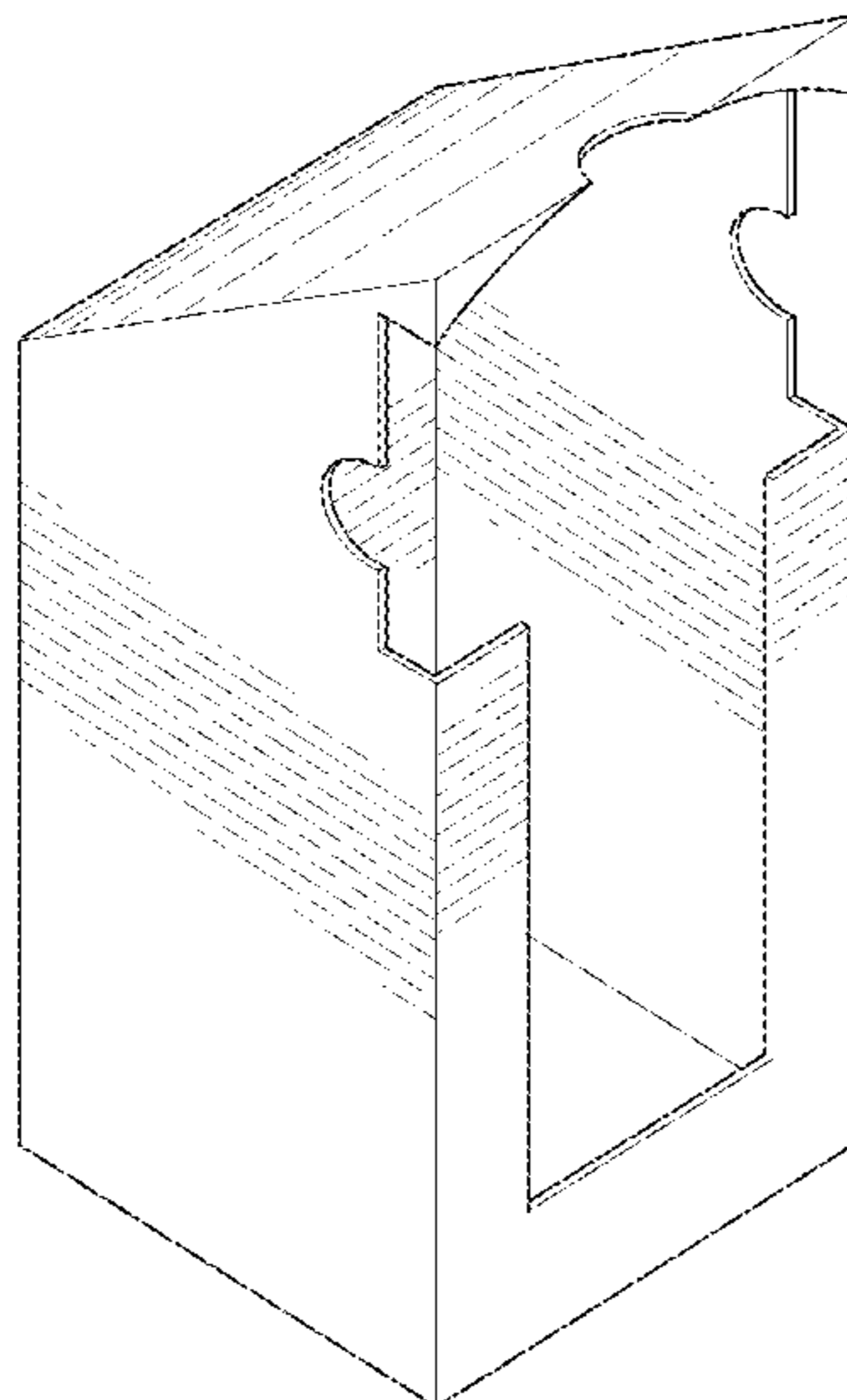
DESCRIPTION

FIG. 1 is a perspective view of a dispensing box of my new design.
FIG. 2 is a frontal view thereof.
FIG. 3 is a rear view thereof.
FIG. 4 is a right-side view thereof.
FIG. 5 is a left-side view thereof.
FIG. 6 is a top view thereof; and,
FIG. 7 is a bottom view thereof.

(56) **References Cited**
U.S. PATENT DOCUMENTS

653,086 A 7/1900 Houts
846,683 A * 3/1907 Moore et al. B65D 71/36
229/122.2

1 Claim, 4 Drawing Sheets



(56)

References Cited

U.S. PATENT DOCUMENTS

6,155,480 A * 12/2000 Botsford B65D 5/725
229/242
D495,952 S * 9/2004 Miller D9/418
D532,685 S * 11/2006 Reussner D9/416
D685,264 S * 7/2013 Lal D9/430
D738,202 S * 9/2015 Stone D9/418
10,543,955 B1 1/2020 Turturro et al.
D924,049 S * 7/2021 Carr D9/418
D924,050 S * 7/2021 Carr D9/418
2004/0200854 A1 * 10/2004 Brickwood B65D 83/0805
221/303
2006/0249529 A1 * 11/2006 Smalley B65D 5/725
221/305
2008/0087556 A1 4/2008 Henke et al.
2009/0314661 A1 12/2009 Fisher et al.
2014/0319205 A1 * 10/2014 Schultz B65D 5/0245
229/122.1
2015/0191296 A1 * 7/2015 Umentum B65D 83/0805
221/26
2015/0203282 A1 * 7/2015 Umentum B65D 5/724
221/259

* cited by examiner

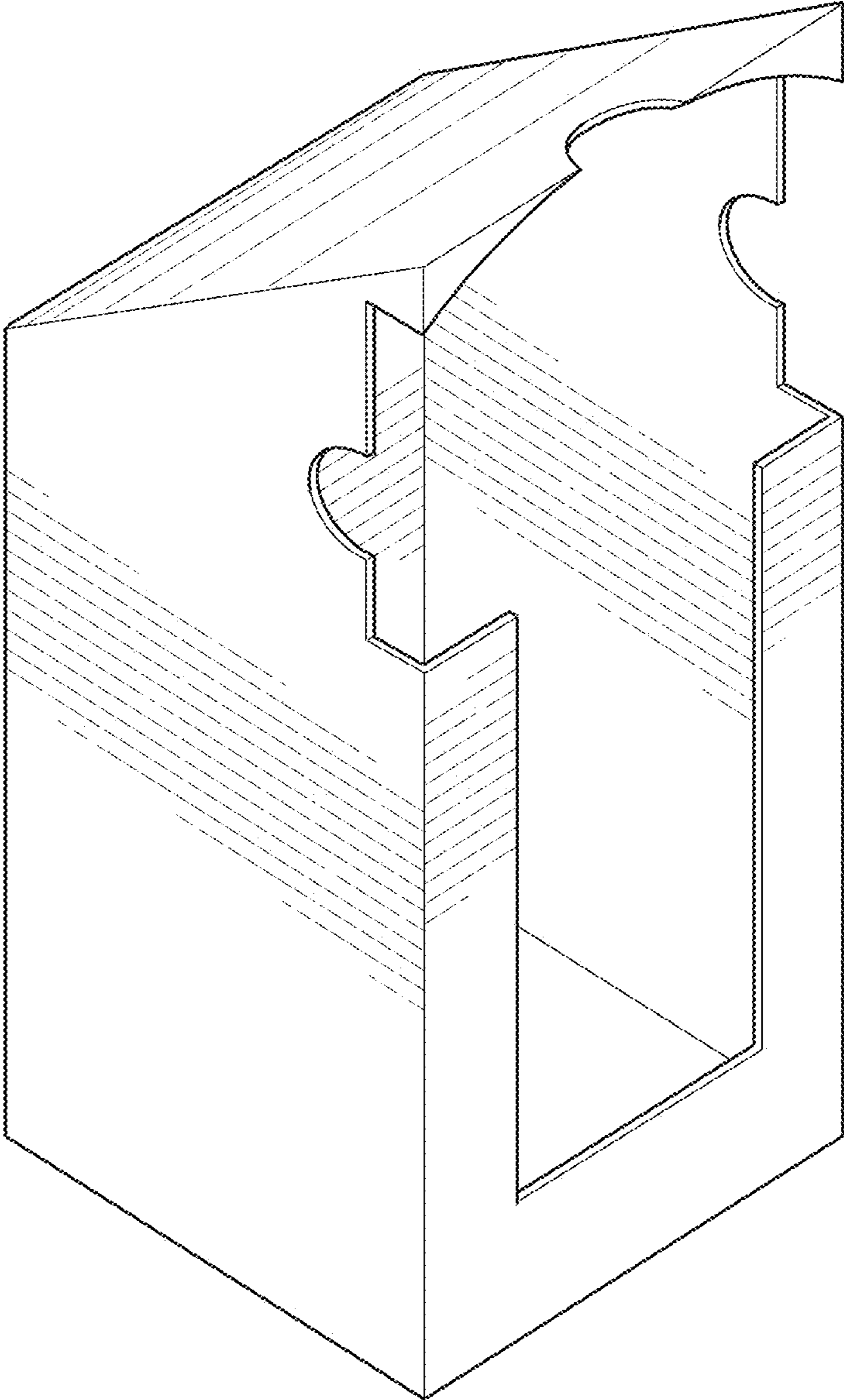


FIG. 1

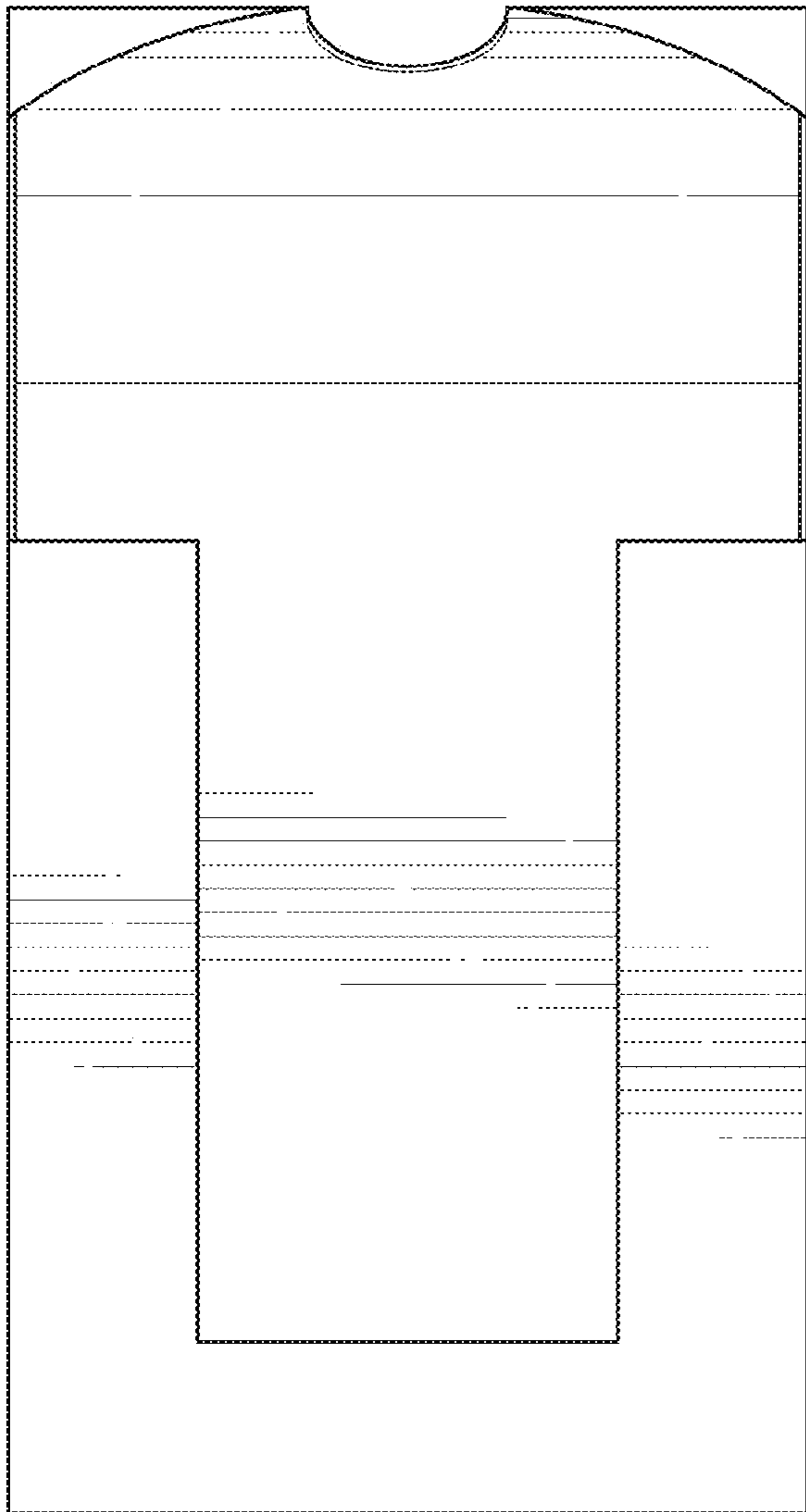


FIG. 2

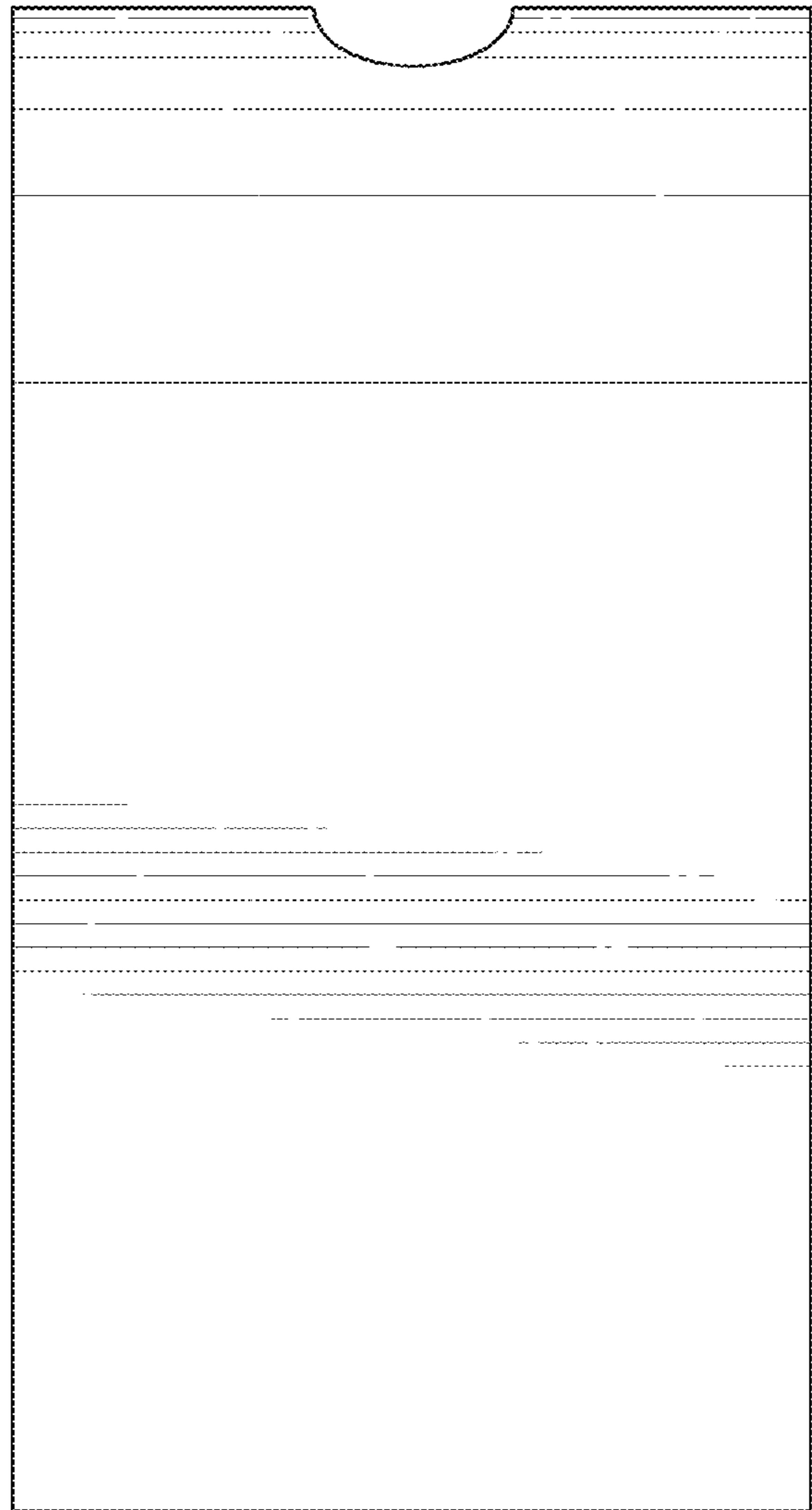


FIG. 3

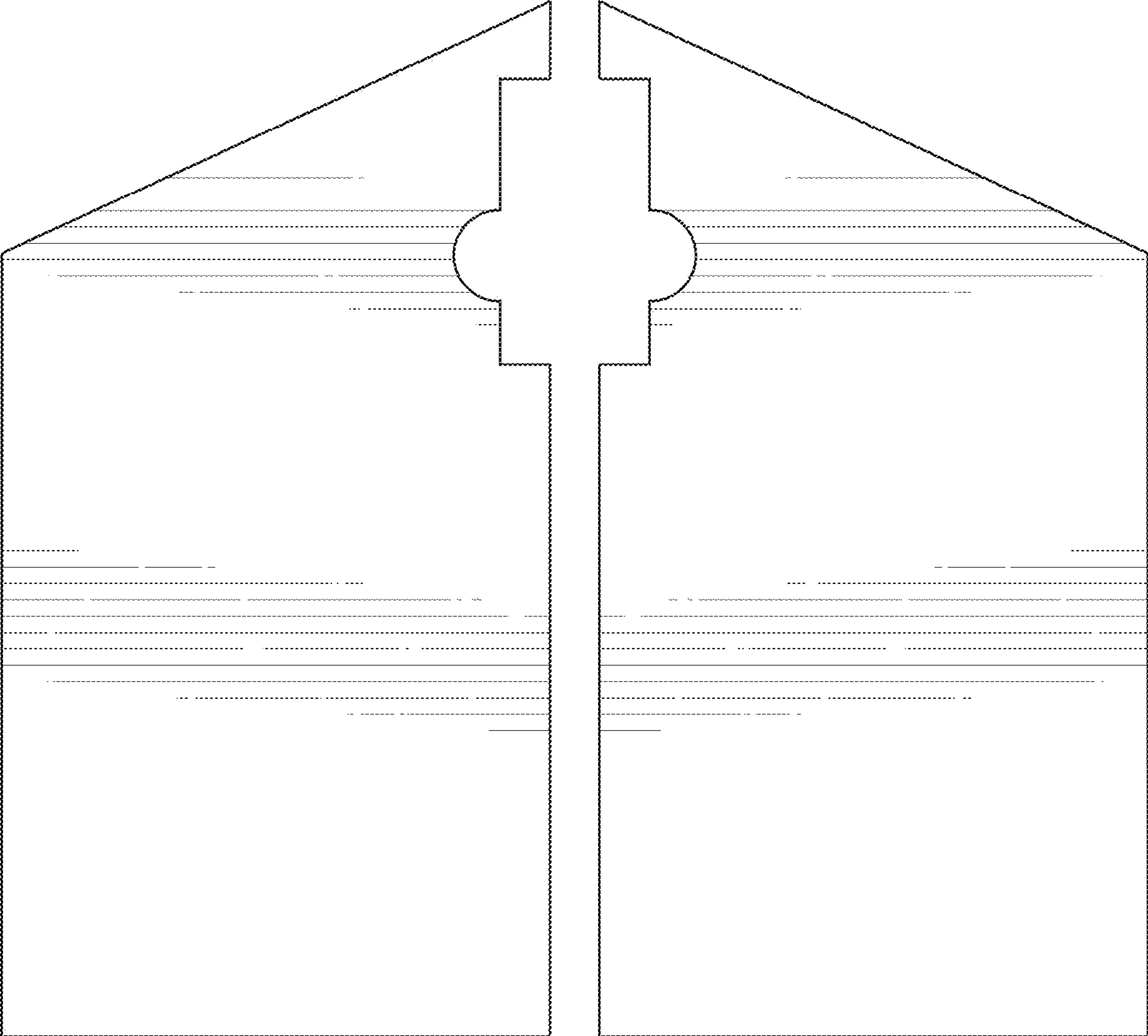


FIG. 4

FIG. 5

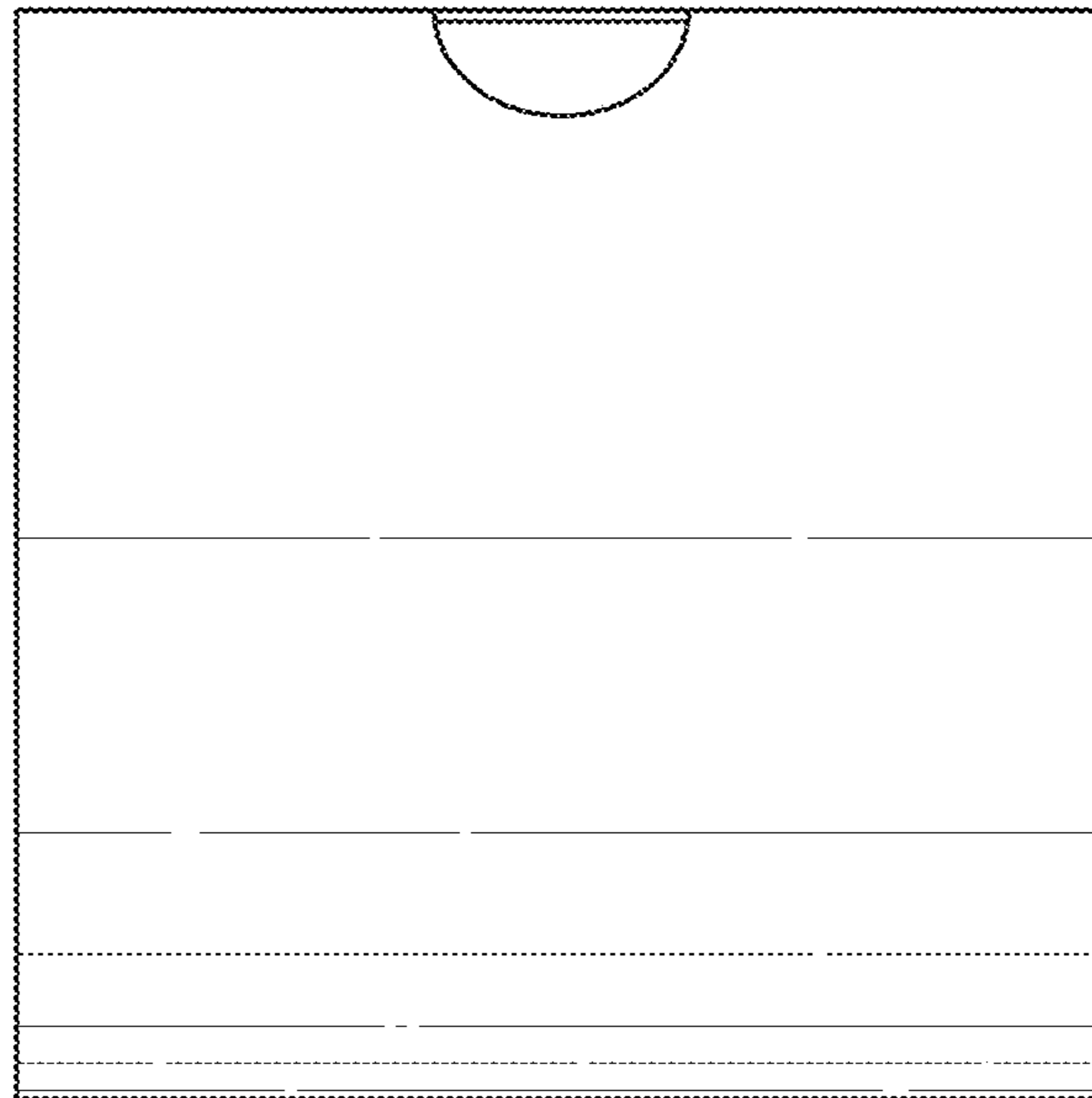


FIG. 6

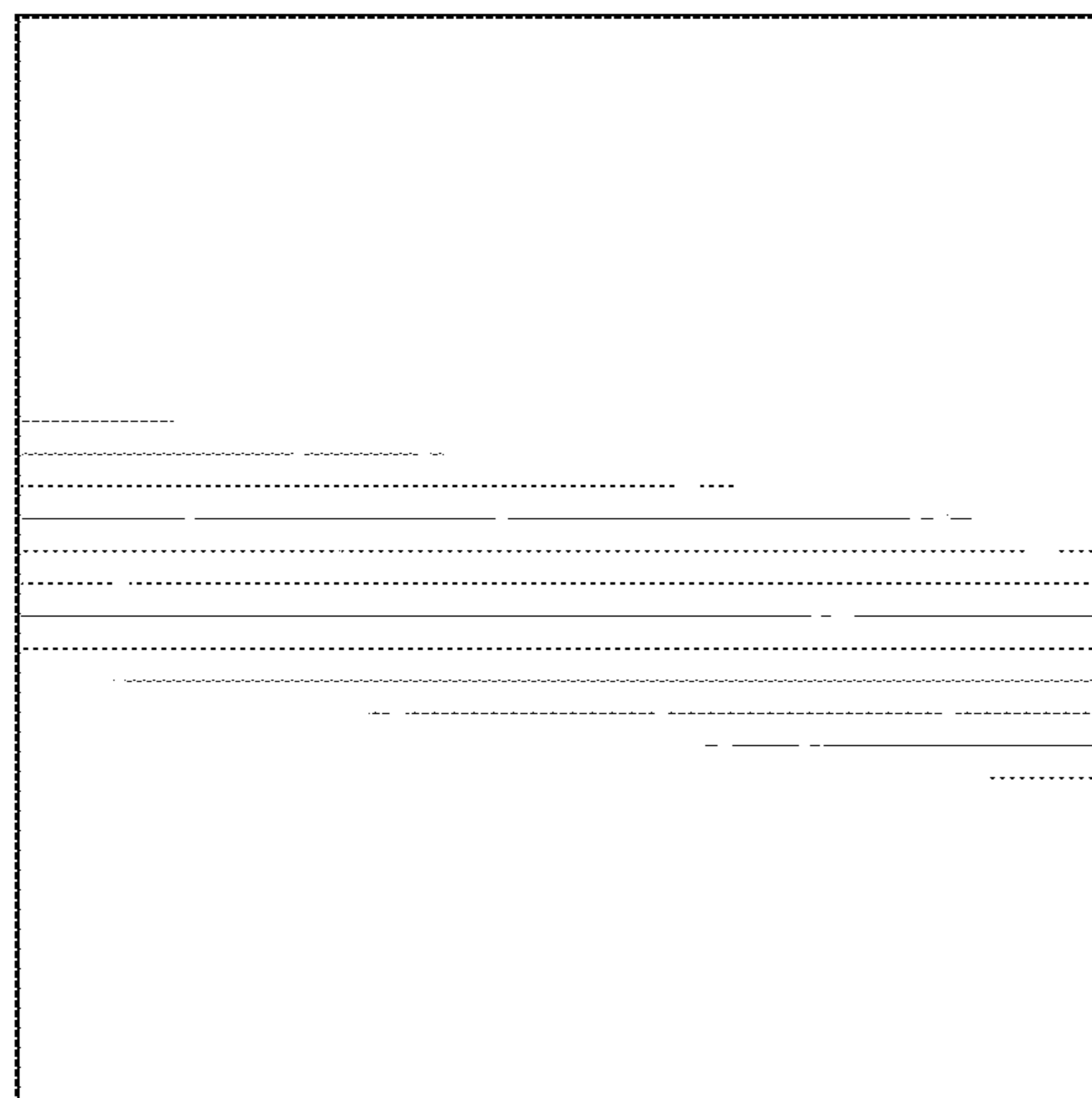


FIG. 7