



US00D981872S

(12) **United States Design Patent** (10) **Patent No.:** **US D981,872 S**
Burmeister et al. (45) **Date of Patent:** **** Mar. 28, 2023**

(54) **PACKAGING WITH ACCESSORIES**

(56) **References Cited**

(71) Applicant: **Apple Inc.**, Cupertino, CA (US)

U.S. PATENT DOCUMENTS

(72) Inventors: **Megan J. Burmeister**, Manhattan Beach, CA (US); **Hamish Thain**, New York, NY (US); **Bart Jansen**, Brooklyn, NY (US); **Michael Rodriguez**, Brooklyn, NY (US); **Christopher Kuh**, San Francisco, CA (US)

7,391,952	B1 *	6/2008	Ugolini	G02B 6/4453 385/134
8,668,160	B2	3/2014	Cheng	
D704,073	S	5/2014	Akana et al.	
D706,643	S	6/2014	Akana et al.	
D746,698	S *	1/2016	Akana	D9/715
D808,281	S *	1/2018	Akana	D9/721
9,975,692	B2	5/2018	Pincus et al.	
D833,887	S	11/2018	Akana et al.	
10,497,176	B2	12/2019	Chung et al.	
D887,989	S	6/2020	Birgers et al.	
D892,061	S	8/2020	Birgers et al.	
D896,629	S	9/2020	Akana et al.	
D906,838	S	1/2021	Burmeister et al.	
D921,492	S *	6/2021	Uyeda	D9/418
D938,921	S *	12/2021	Birgers	D13/153
D939,966	S	1/2022	Burmeister et al.	
D941,682	S *	1/2022	Delle Cese	D9/715
D942,276	S *	2/2022	Delle Cese	D9/715
D963,592	S *	9/2022	Birgers	D13/153

(73) Assignee: **Apple Inc.**, Cupertino, CA (US)

(**) Term: **15 Years**

(21) Appl. No.: **29/848,267**

(22) Filed: **Aug. 1, 2022**

Related U.S. Application Data

(63) Continuation of application No. 29/821,769, filed on Jan. 3, 2022, now Pat. No. Des. 959,284, which is a continuation of application No. 29/764,878, filed on Jan. 4, 2021, now Pat. No. Des. 939,966, which is a continuation of application No. 29/686,209, filed on Apr. 2, 2019, now Pat. No. Des. 906,838.

Primary Examiner — Lauren R Calve

(74) *Attorney, Agent, or Firm* — Sterne, Kessler, Goldstein & Fox P.L.L.C.

(51) **LOC (14) Cl.** **09-01**

(57) **CLAIM**

The ornamental design for packaging with accessories, as shown and described.

(52) **U.S. Cl.**

USPC **D9/715**; D9/732; D9/721

DESCRIPTION

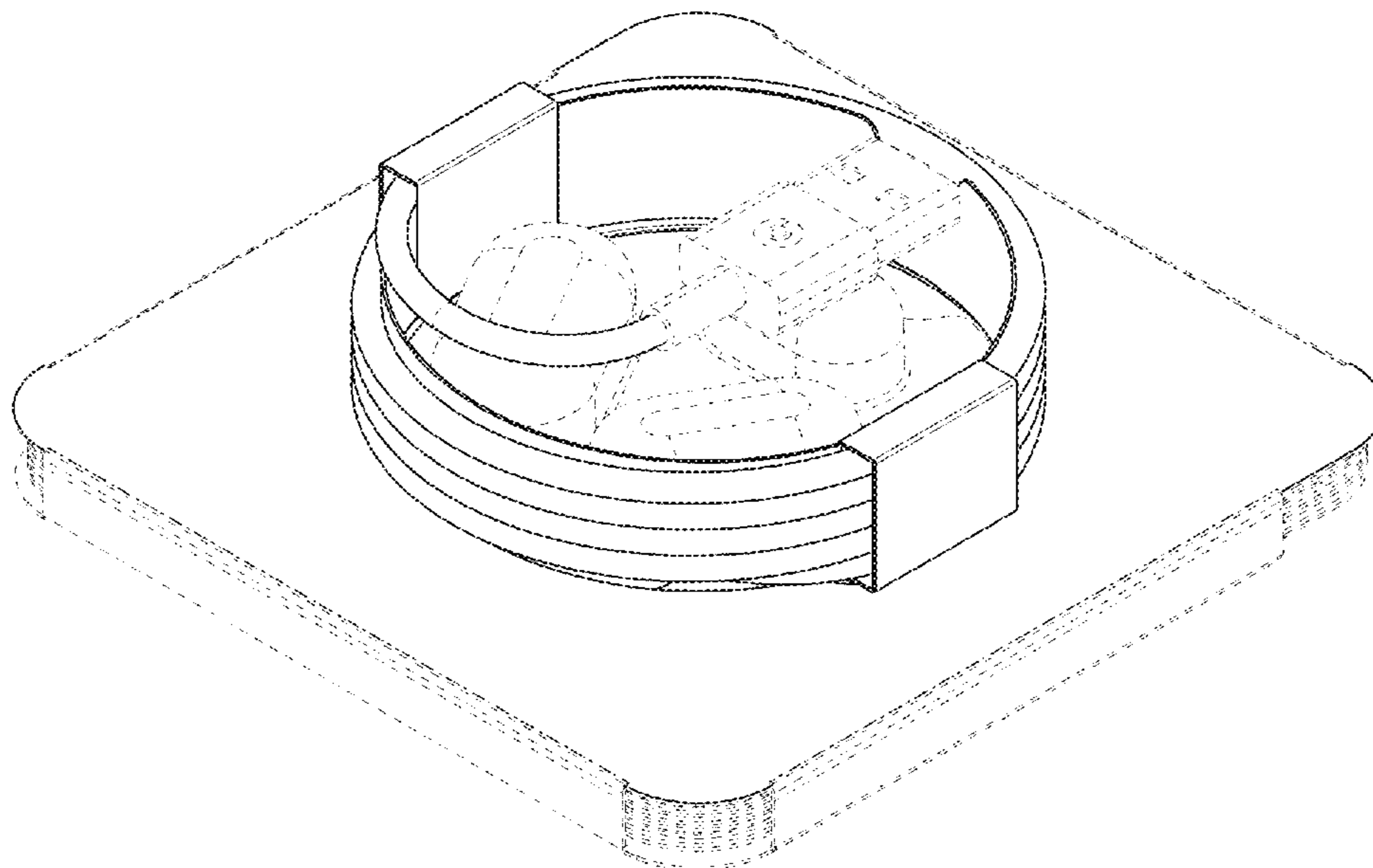
(58) **Field of Classification Search**

USPC D9/414, 418, 419, 420, 422, 423, 424, D9/425, 426, 432, 456, 715, 721, 732, D9/737, 751

CPC B65D 5/5213; B65D 75/36; B65D 81/113; B65D 5/4204; B65D 75/58; B65D 65/38; B65D 73/0035; B65D 2585/86

See application file for complete search history.

1 Claim, 2 Drawing Sheets



(56)

References Cited

U.S. PATENT DOCUMENTS

2002/0117571 A1* 8/2002 Scott G02B 6/4453
242/388
2003/0106823 A1* 6/2003 Liao H02G 11/02
206/408
2003/0159969 A1* 8/2003 McMichael A61B 50/33
206/570
2007/0020993 A1 1/2007 Symons
2007/0051662 A1* 3/2007 Millar-Sax B65D 85/04
206/702
2011/0317865 A1 12/2011 Stevinson
2012/0128193 A1* 5/2012 Stevinson B65H 75/4473
381/384
2013/0114231 A1 5/2013 Cheng
2013/0134252 A1* 5/2013 Cheng H01R 13/60
242/405.1
2017/0354474 A1 12/2017 Dobbyn
2018/0273262 A1* 9/2018 Mccarren B65D 73/0085

* cited by examiner

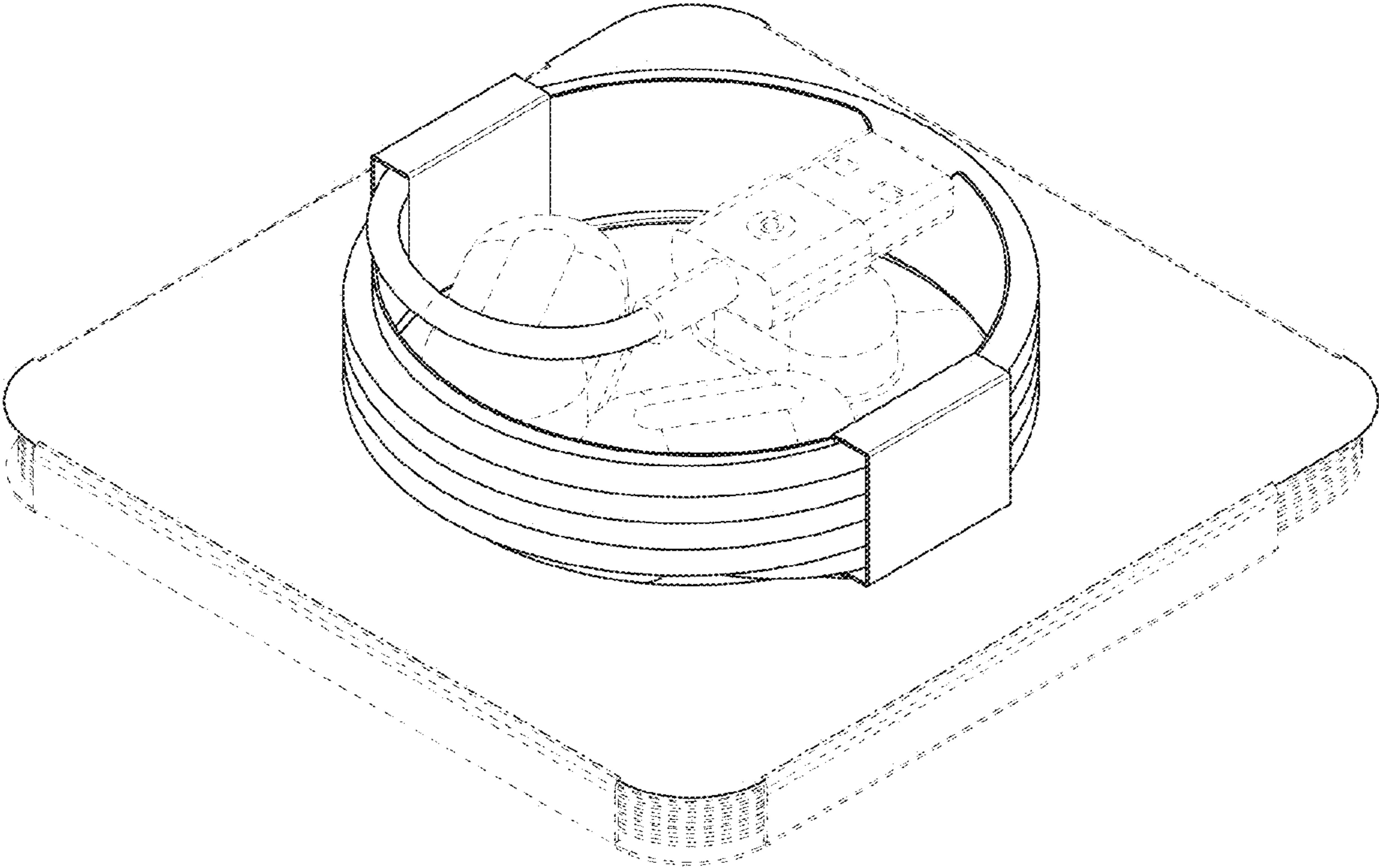


FIG. 1

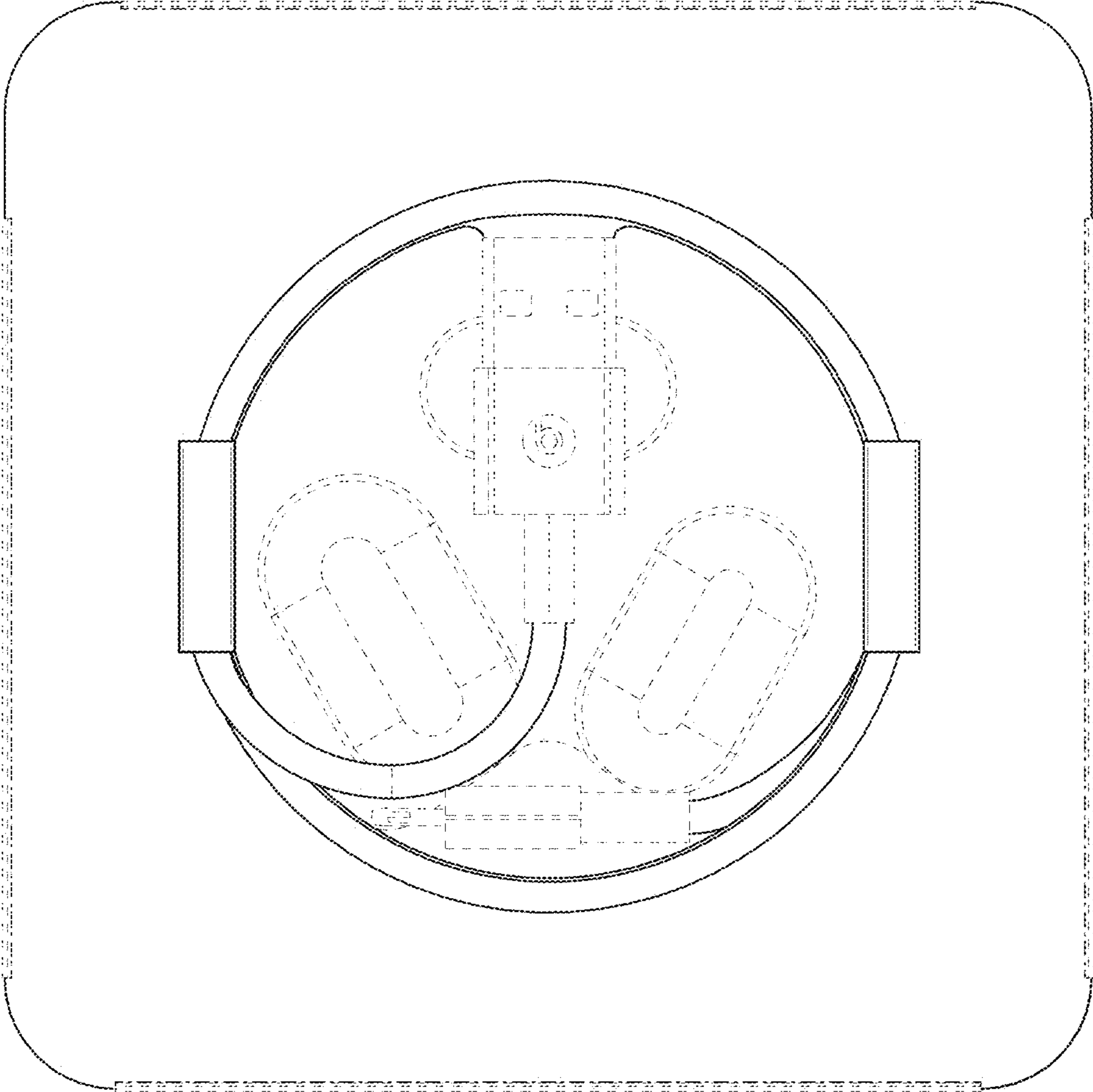


FIG. 2