



US00D981870S

(12) **United States Design Patent**
Witzke

(10) **Patent No.:** **US D981,870 S**

(45) **Date of Patent:** **** Mar. 28, 2023**

(54) **DETERGENT POUCH**

(71) Applicant: **Korex Canada Company**, Etobicoke (CA)

(72) Inventor: **Douglas Witzke**, Caledon (CA)

(73) Assignee: **Korex Canada Company**, Etobicoke (CA)

(**) Term: **15 Years**

(21) Appl. No.: **29/828,085**

(22) Filed: **Feb. 24, 2022**

Related U.S. Application Data

(62) Division of application No. 29/732,853, filed on Apr. 28, 2020, now Pat. No. Des. 947,681, which is a division of application No. 29/679,642, filed on Feb. 8, 2019, now Pat. No. Des. 885,930, which is a division of application No. 29/610,472, filed on Jul. 12, 2017, now Pat. No. Des. 844,450.

(51) **LOC (14) Cl.** **09-05**

(52) **U.S. Cl.**
USPC **D9/707; D28/8.1**

(58) **Field of Classification Search**
USPC D9/702-714, 414-416, 428, 421, D9/424-426, 430-432, 759; D28/4-8, D28/8.1-8.2
CPC C11D 17/0065-17/0091; C11D 17/00-17/0039; C11D 17/04-17/047
See application file for complete search history.

(56) **References Cited**

U.S. PATENT DOCUMENTS

6,670,314 B2 12/2003 Smith et al.
6,924,258 B2 8/2005 Delamarche et al.
6,995,125 B2 2/2006 Dasque et al.
7,013,623 B2 3/2006 Fisher et al.
7,105,478 B2 9/2006 Guzman et al.

7,125,828 B2 10/2006 Catlin et al.
7,127,874 B2 10/2006 Viltro et al.
7,229,955 B2 6/2007 Dasque et al.
7,259,134 B2 8/2007 Beckholt et al.
7,304,023 B2 12/2007 Dasque et al.
7,304,025 B2 12/2007 Hardy et al.

(Continued)

Primary Examiner — Abraham Bahta

(74) *Attorney, Agent, or Firm* — Dinsmore & Shohl LLP

(57) **CLAIM**

The ornamental design for a detergent pouch, as shown and described.

DESCRIPTION

FIG. 1 is a perspective top view of the first embodiment of the detergent pouch with compartments illustrating my new design;

FIG. 2 is a front view thereof;

FIG. 3 is a rear view thereof;

FIG. 4 is a left side view thereof;

FIG. 5 is a top view thereof;

FIG. 6 is a bottom view thereof;

FIG. 7 is a perspective top view of the second embodiment of the detergent pouch with compartments;

FIG. 8 is a front view thereof;

FIG. 9 is a rear view thereof;

FIG. 10 is a left side view thereof;

FIG. 11 is a top view thereof;

FIG. 12 is a bottom view thereof;

FIG. 13 is a perspective top view of the third embodiment of the detergent pouch with compartments;

FIG. 14 is a front view thereof;

FIG. 15 is a rear view thereof;

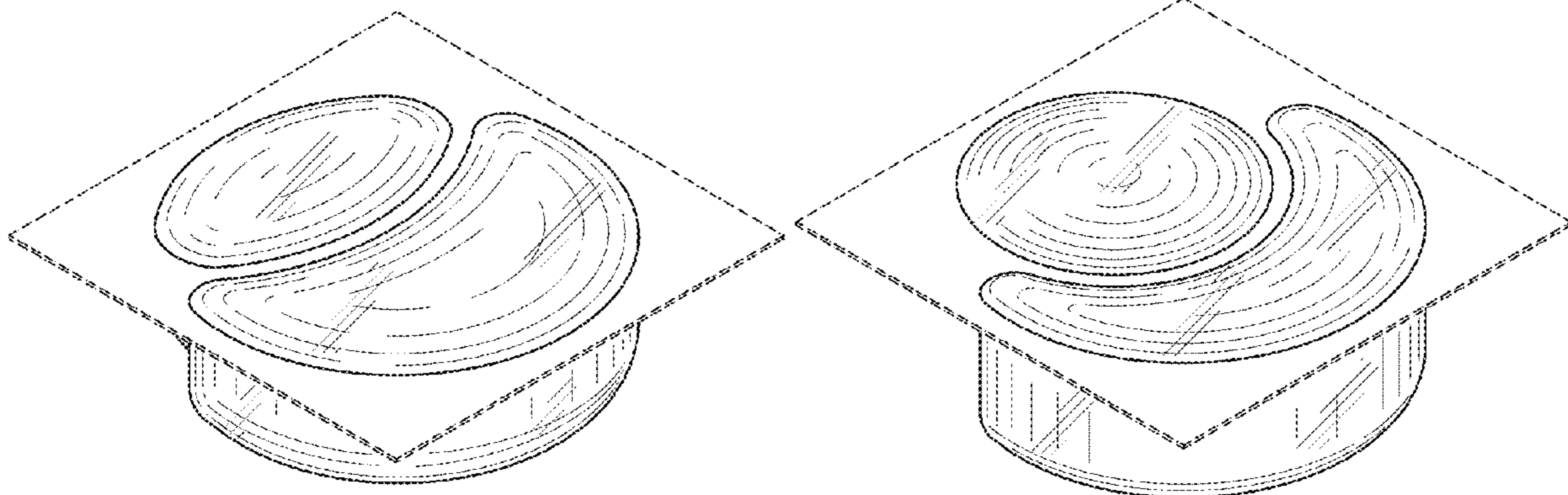
FIG. 16 is a left side view thereof;

FIG. 17 is a top view thereof; and,

FIG. 18 is a bottom view thereof.

The broken lines represent portions of the structure that form no part of the claim.

1 Claim, 6 Drawing Sheets



(56)

References Cited

U.S. PATENT DOCUMENTS

7,386,971 B2	6/2008	Catlin et al.	D714,161 S	9/2014	Crawford et al.
7,407,923 B2	8/2008	Wiedemann et al.	8,835,372 B2	9/2014	Jennewein
7,439,215 B2	10/2008	Catlin et al.	8,940,676 B2	1/2015	Catlin et al.
7,464,519 B2	12/2008	Fisher et al.	D728,157 S	4/2015	Sarb
7,521,411 B2	4/2009	Sharma et al.	D728,178 S	4/2015	Crawley
7,550,421 B2	6/2009	Sharma et al.	8,999,911 B2	4/2015	Armstrong et al.
D599,056 S	8/2009	Schwartz et al.	D732,735 S	6/2015	Nixon et al.
D599,057 S	8/2009	Beckholt et al.	D733,962 S	7/2015	Sunder
7,578,114 B2	8/2009	Duffield et al.	D735,407 S	7/2015	Gerhards
7,595,290 B2	9/2009	Pounds et al.	D735,408 S	7/2015	Meier
7,615,524 B2	11/2009	Del Duca et al.	D735,409 S	7/2015	Sunder
D608,049 S	1/2010	Schwartz et al.	9,163,205 B2	10/2015	Sivik et al.
7,648,951 B2	1/2010	Sharma et al.	D748,330 S	1/2016	Gerhards
7,677,015 B2	3/2010	Kroese et al.	9,242,774 B2	1/2016	Petrovicova et al.
D618,393 S	6/2010	Beckholt et al.	9,249,380 B2	2/2016	Gordon et al.
D621,718 S	8/2010	Mehdizadeh	D759,891 S	6/2016	Sarb
D622,157 S	8/2010	Mehdizadeh	D760,434 S	6/2016	Schmaelzle et al.
7,964,549 B2	6/2011	Boutoille et al.	D760,436 S	6/2016	Schmaelzle et al.
7,977,298 B2	7/2011	Joinson	9,382,506 B2	7/2016	Catlin et al.
D643,574 S	8/2011	Heidel et al.	9,434,916 B2	9/2016	Catlin et al.
D646,433 S	10/2011	Heidel et al.	9,453,187 B2	9/2016	Krubasik et al.
D647,249 S	10/2011	Heidel et al.	D774,249 S	12/2016	McLenithan
D647,250 S	10/2011	Heidel et al.	D774,250 S	12/2016	McLenithan
8,042,318 B2	10/2011	Ayats et al.	D774,251 S	12/2016	McLenithan
D648,065 S	11/2011	Heidel et al.	D819,886 S	6/2018	Brewer
D648,066 S	11/2011	Heidel et al.	D821,029 S	6/2018	Crivolio et al.
D648,067 S	11/2011	Heidel et al.	D821,644 S	6/2018	Hartman et al.
D648,068 S	11/2011	Heidel et al.	D844,450 S	4/2019	Witzke
D648,069 S	11/2011	Heidel et al.	D885,930 S	6/2020	Witzke
D648,070 S	11/2011	Heidel et al.	D947,681 S *	4/2022	Witzke D9/707
D649,710 S	11/2011	Mehdizadeh	D961,404 S *	8/2022	Holecko D9/702
8,066,818 B2	11/2011	Brooker et al.	2011/0039985 A1	2/2011	Patel et al.
D651,340 S	12/2011	Heidel et al.	2012/0021026 A1	1/2012	Glenn, Jr. et al.
D656,669 S	3/2012	Davis et al.	2012/0052036 A1	3/2012	Glenn, Jr. et al.
D656,670 S	3/2012	Davis et al.	2012/0058166 A1	3/2012	Glenn, Jr. et al.
D656,671 S	3/2012	Davis et al.	2012/0237576 A1	9/2012	Glenn, Jr. et al.
D656,672 S	3/2012	Davis et al.	2014/0008016 A1	1/2014	Koch
D656,673 S	3/2012	Davis et al.	2014/0179586 A1	6/2014	Letzelter et al.
D656,674 S	3/2012	Davis et al.	2014/0329428 A1	11/2014	Glenn, Jr. et al.
D657,495 S	4/2012	Davis et al.	2015/0267155 A1	9/2015	Brooker et al.
D657,910 S	4/2012	Davis et al.	2015/0267156 A1	9/2015	Brooker et al.
8,156,713 B2	4/2012	Catlin et al.	2015/0274413 A1	10/2015	Brandt Sanz et al.
D659,902 S	5/2012	Mehdizadeh	2015/0275152 A1	10/2015	Brooker et al.
D661,018 S	5/2012	Mehdizadeh	2015/0275153 A1	10/2015	Murphy
8,188,027 B2	5/2012	Lynch et al.	2015/0275154 A1	10/2015	Souter et al.
8,250,837 B2	8/2012	Catlin et al.	2015/0275155 A1	10/2015	Souter et al.
8,283,300 B2	10/2012	Catlin et al.	2015/0275156 A1	10/2015	Souter et al.
8,309,203 B2	11/2012	Catalfamo	2015/0275157 A1	10/2015	Souter et al.
8,357,647 B2	1/2013	Sharma et al.	2015/0291300 A1	10/2015	Brandt Sanz et al.
D679,863 S	4/2013	Sunder	2016/0008235 A1	1/2016	Sivik et al.
D680,266 S	4/2013	Drought et al.	2016/0010041 A1	1/2016	Sivik et al.
D680,270 S	4/2013	Drought et al.	2016/0024447 A1	1/2016	Simonsen et al.
D680,445 S	4/2013	Kopulos et al.	2016/0040101 A1	2/2016	De Poortere et al.
D680,685 S	4/2013	Drought et al.	2016/0068285 A1	3/2016	Fowler et al.
D681,270 S	4/2013	Davis	2016/0090562 A1	3/2016	Loughnane et al.
D681,271 S	4/2013	Davis	2016/0145459 A1	5/2016	Klein et al.
D681,272 S	4/2013	Davis	2016/0145543 A1	5/2016	Letzelter et al.
D681,273 S	4/2013	Davis	2016/0145544 A1	5/2016	Letzelter et al.
8,431,517 B2	4/2013	Song	2016/0145545 A1	5/2016	Letzelter et al.
8,435,935 B2	5/2013	Catlin et al.	2016/0145546 A1	5/2016	Letzelter et al.
8,518,866 B2	8/2013	Catlin et al.	2016/0145548 A1	5/2016	Letzelter et al.
D689,240 S	9/2013	Sunder	2016/0145547 A1	5/2016	Van Tol et al.
8,524,646 B2	9/2013	Ricci et al.	2016/0168517 A1	6/2016	Massey-Brooker et al.
D689,241 S	10/2013	Gerhards	2016/0200501 A1	7/2016	Lee et al.
D691,326 S	10/2013	Gerhards	2016/0208202 A1	7/2016	Himmrich et al.
D695,451 S	12/2013	Gerhards	2016/0215242 A1	7/2016	Himmrich et al.
8,658,585 B2	2/2014	Catlin et al.	2016/0215243 A1	7/2016	Himmrich et al.
8,669,219 B2	3/2014	Wiedemann et al.	2016/0230131 A1	8/2016	Wiedemann et al.
8,697,624 B2	4/2014	Denome et al.	2016/0251148 A1	9/2016	Edwards
			2016/0257914 A1	9/2016	Catlin et al.
			2016/0271021 A1	9/2016	Glenn, Jr. et al.

* cited by examiner

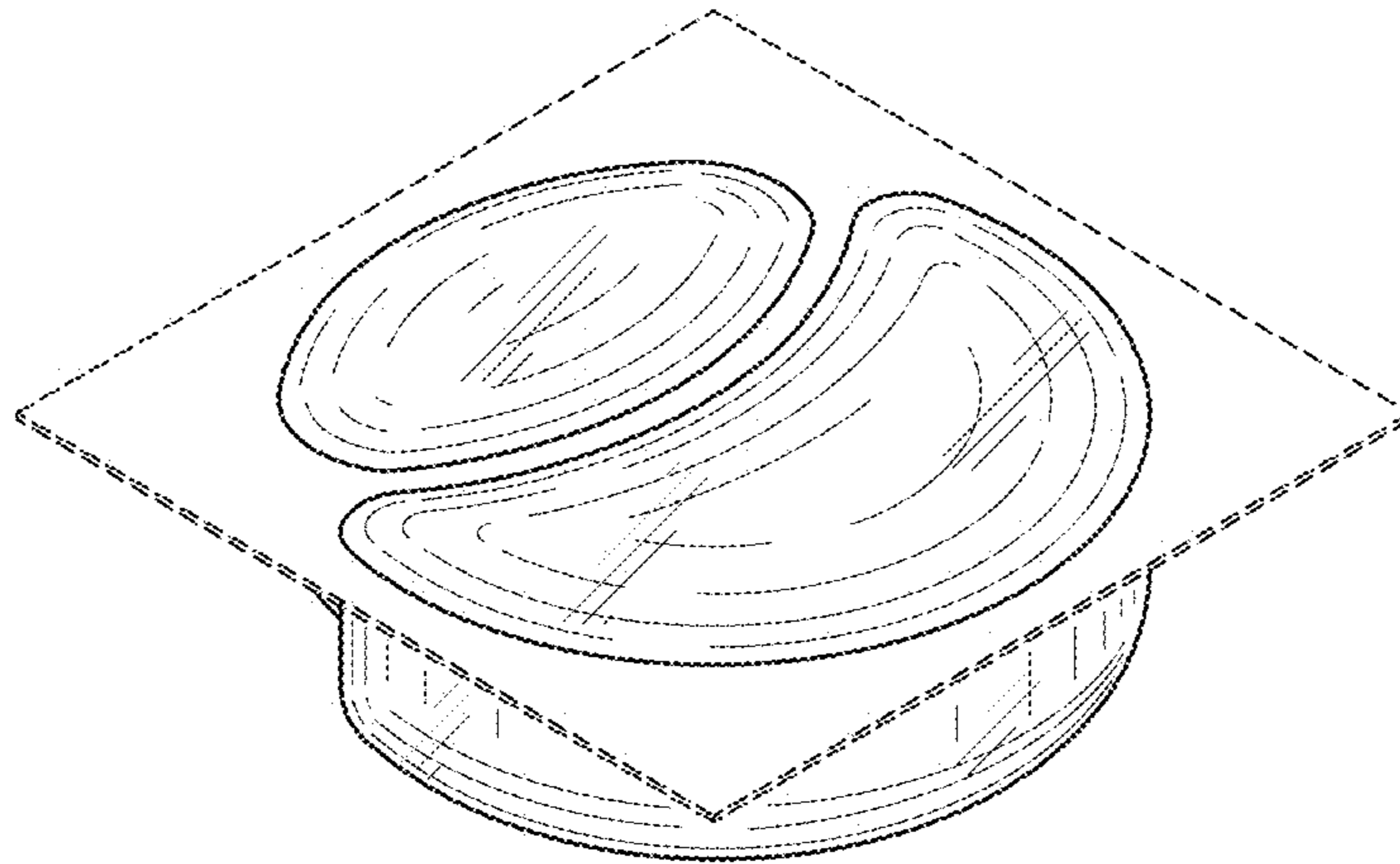


FIG. 1

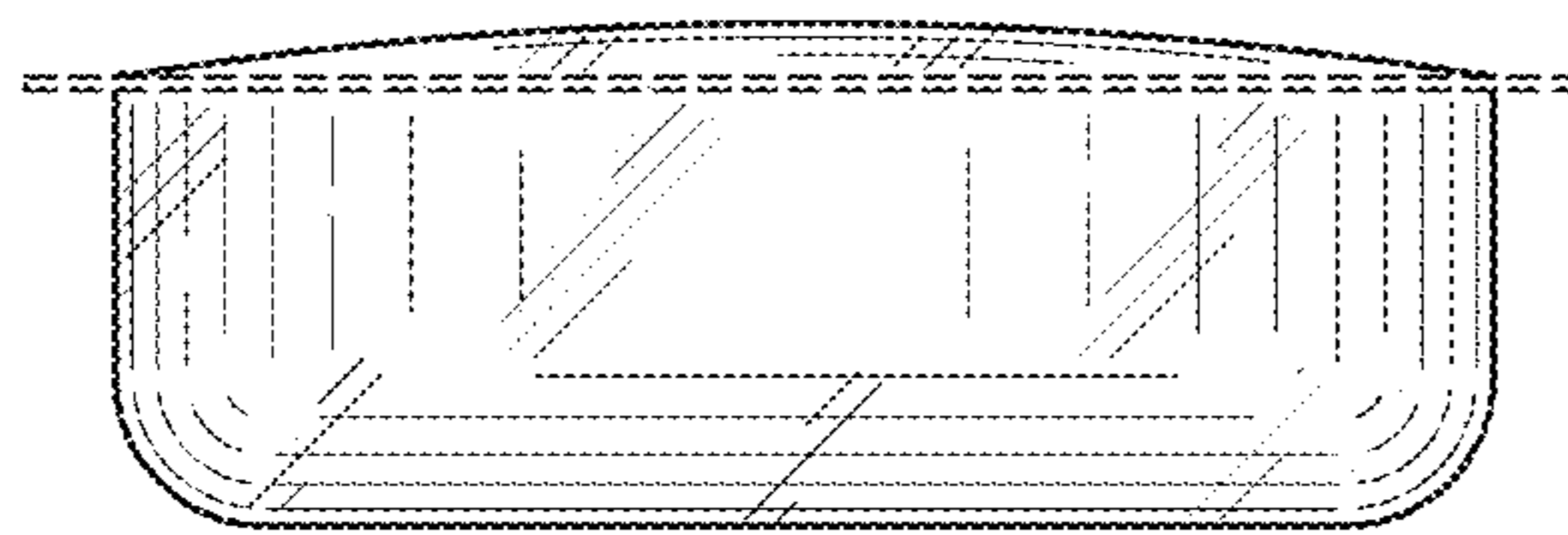


FIG. 2

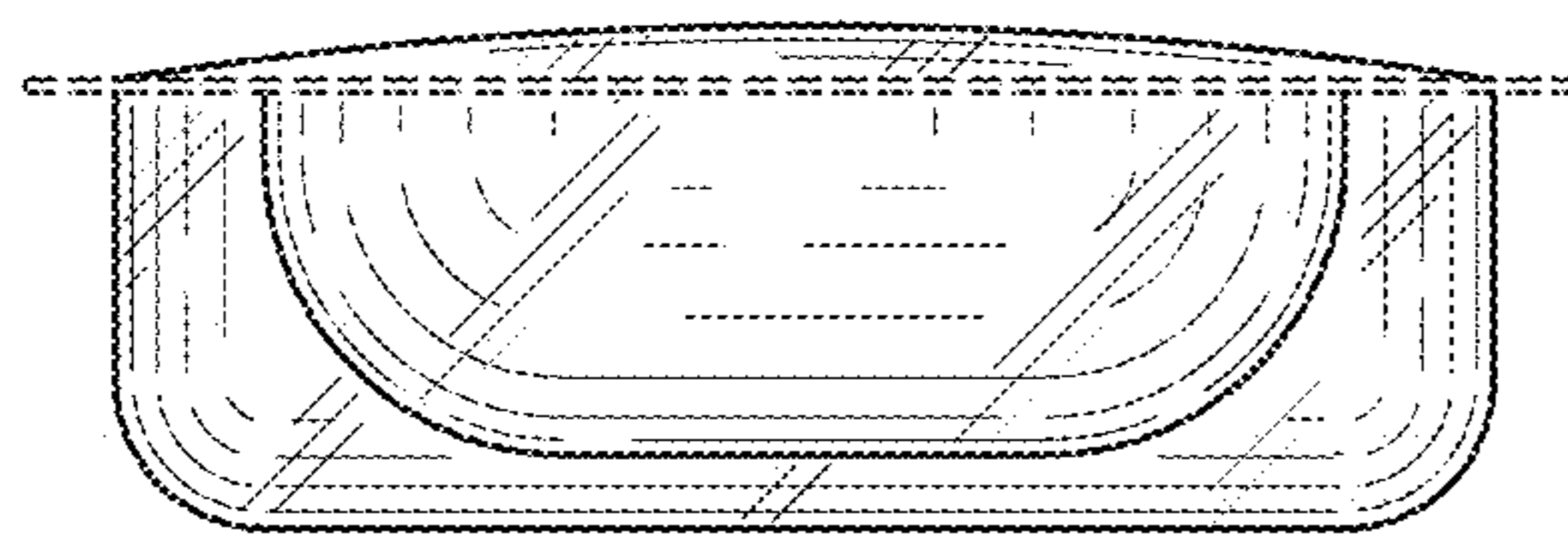


FIG. 3

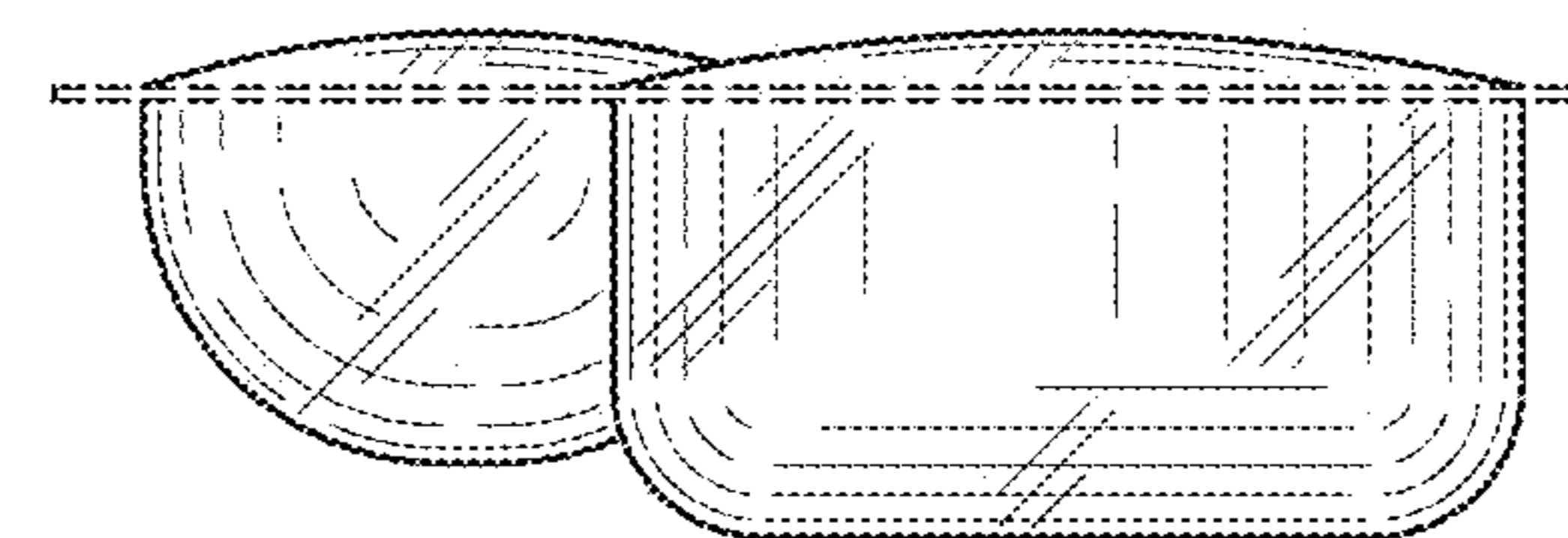


FIG. 4

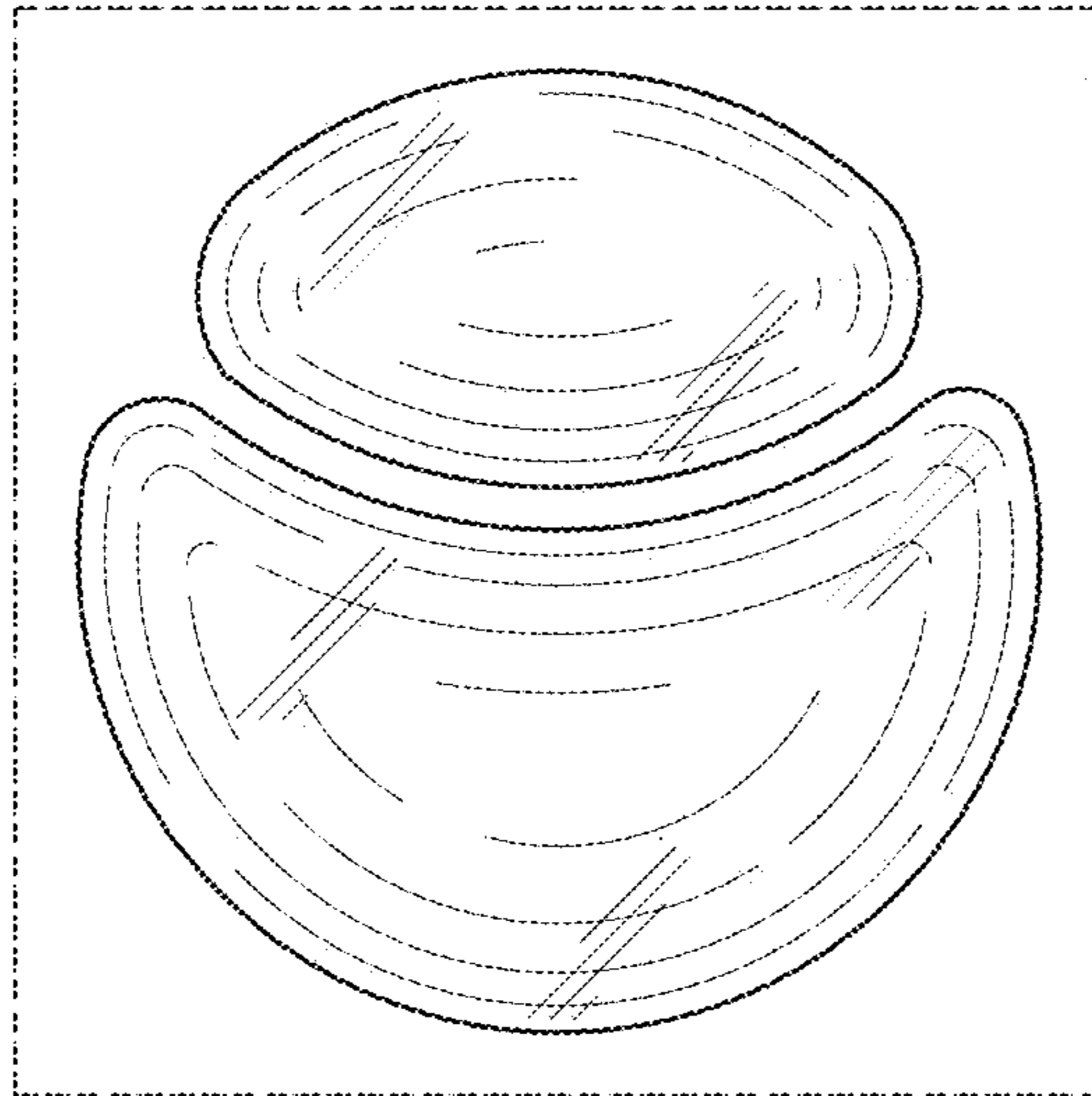


FIG. 5

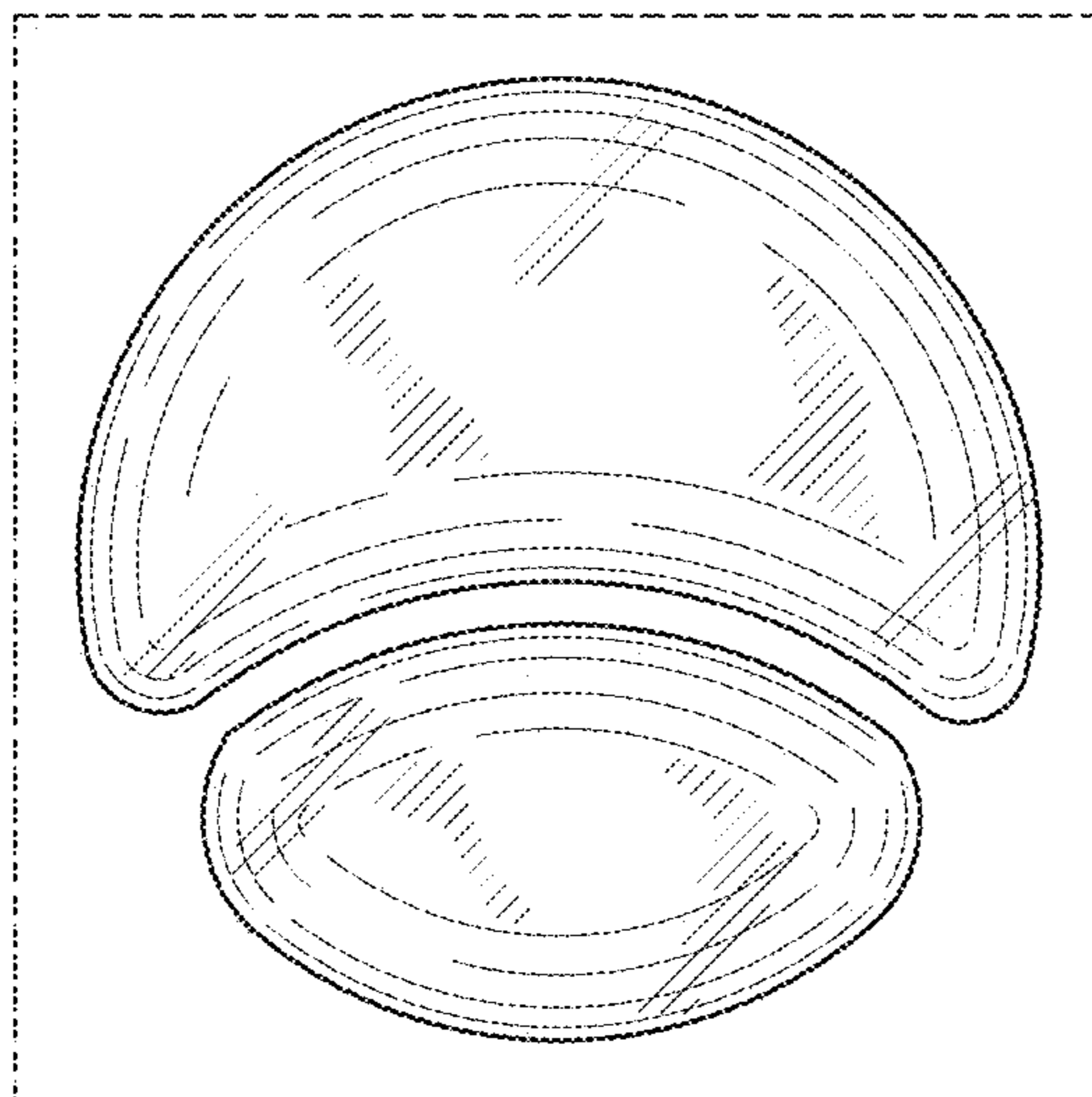


FIG. 6

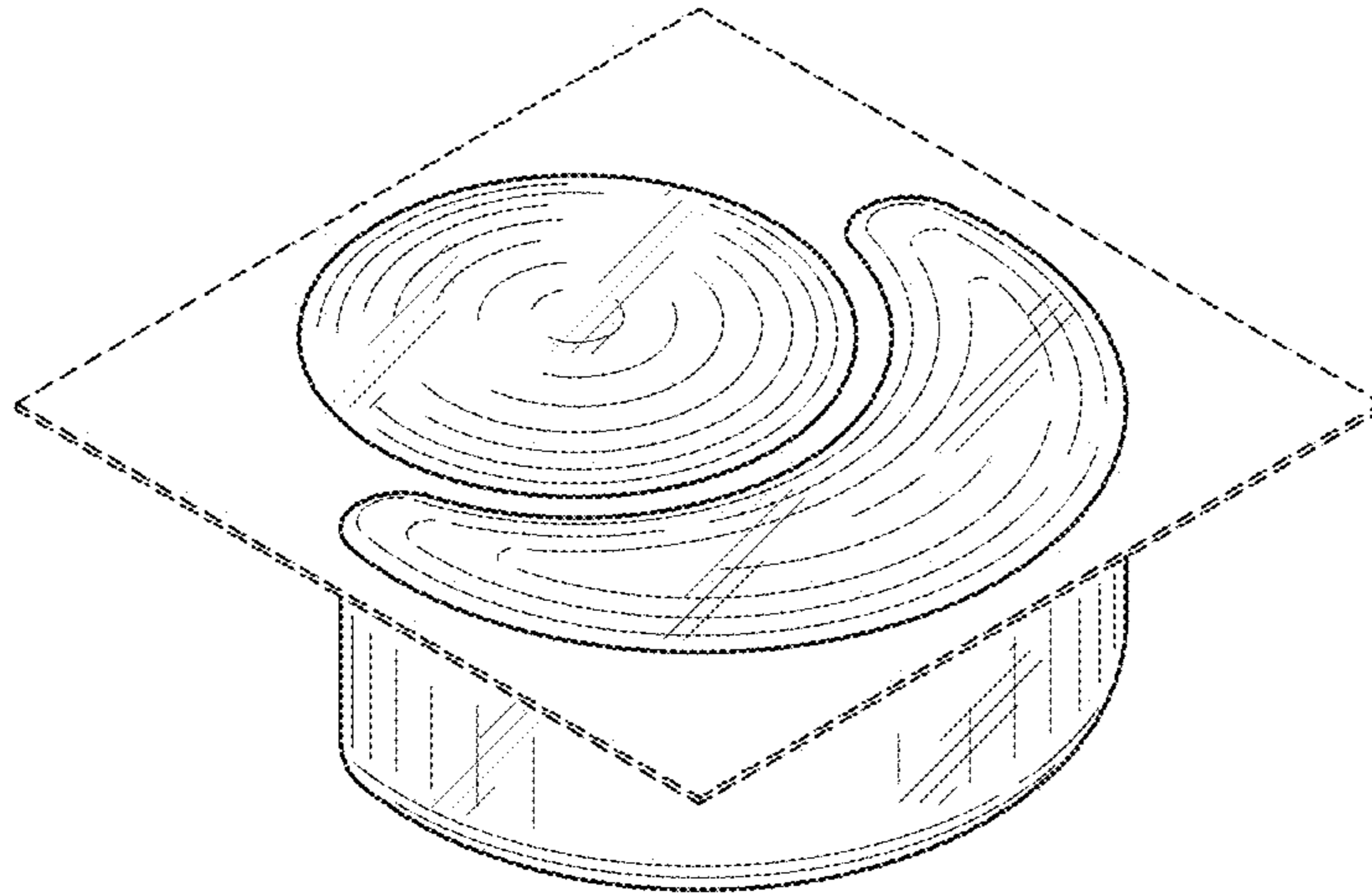


FIG. 7

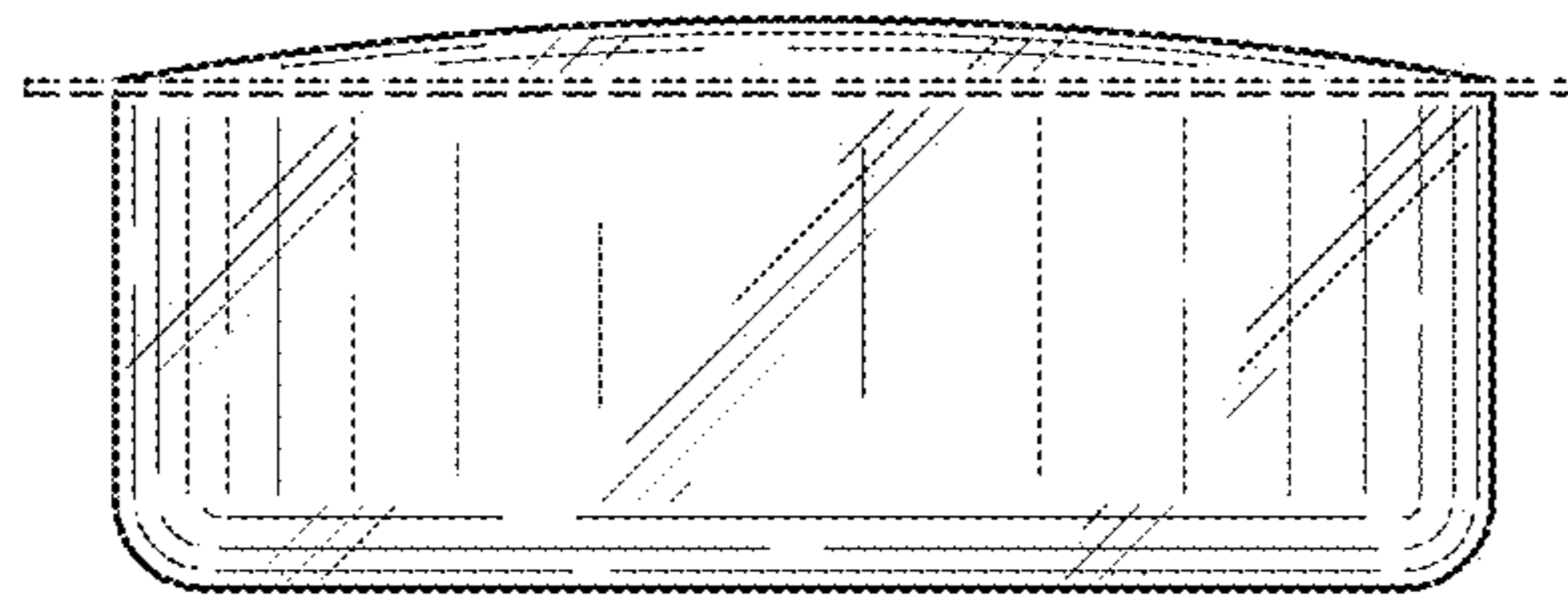


FIG. 8

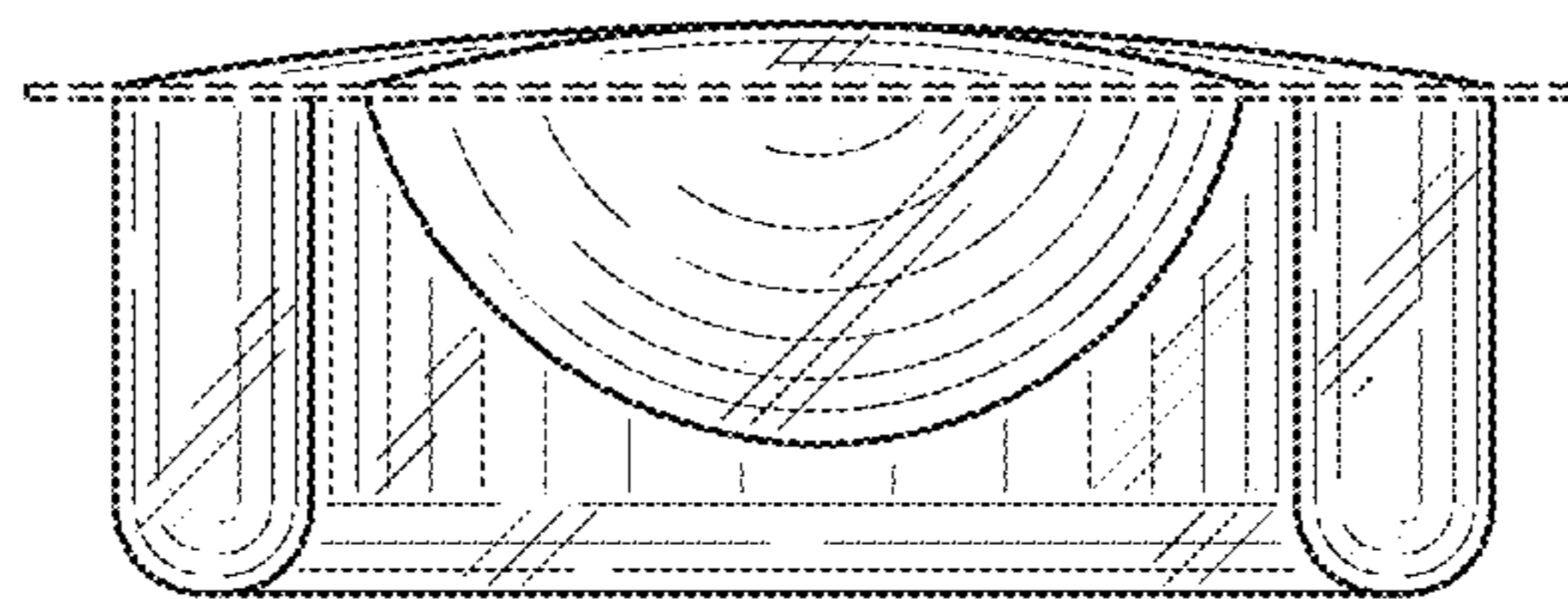


FIG. 9

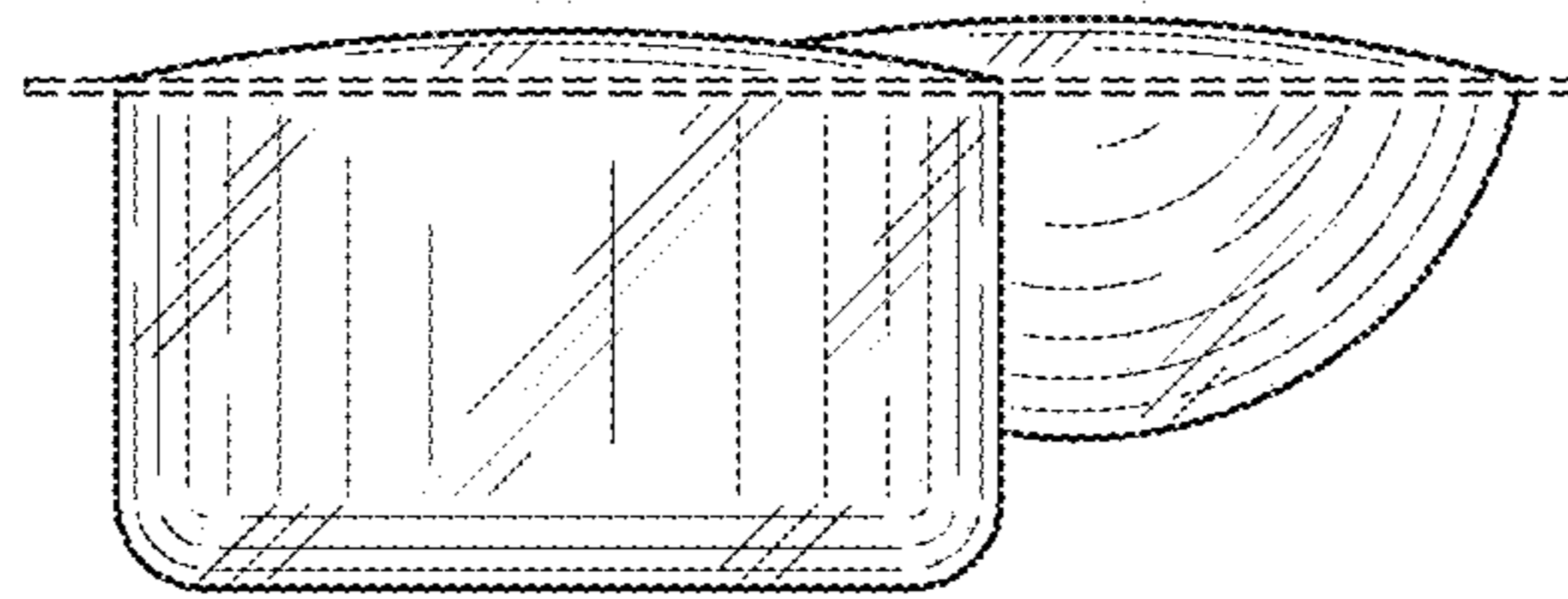


FIG. 10

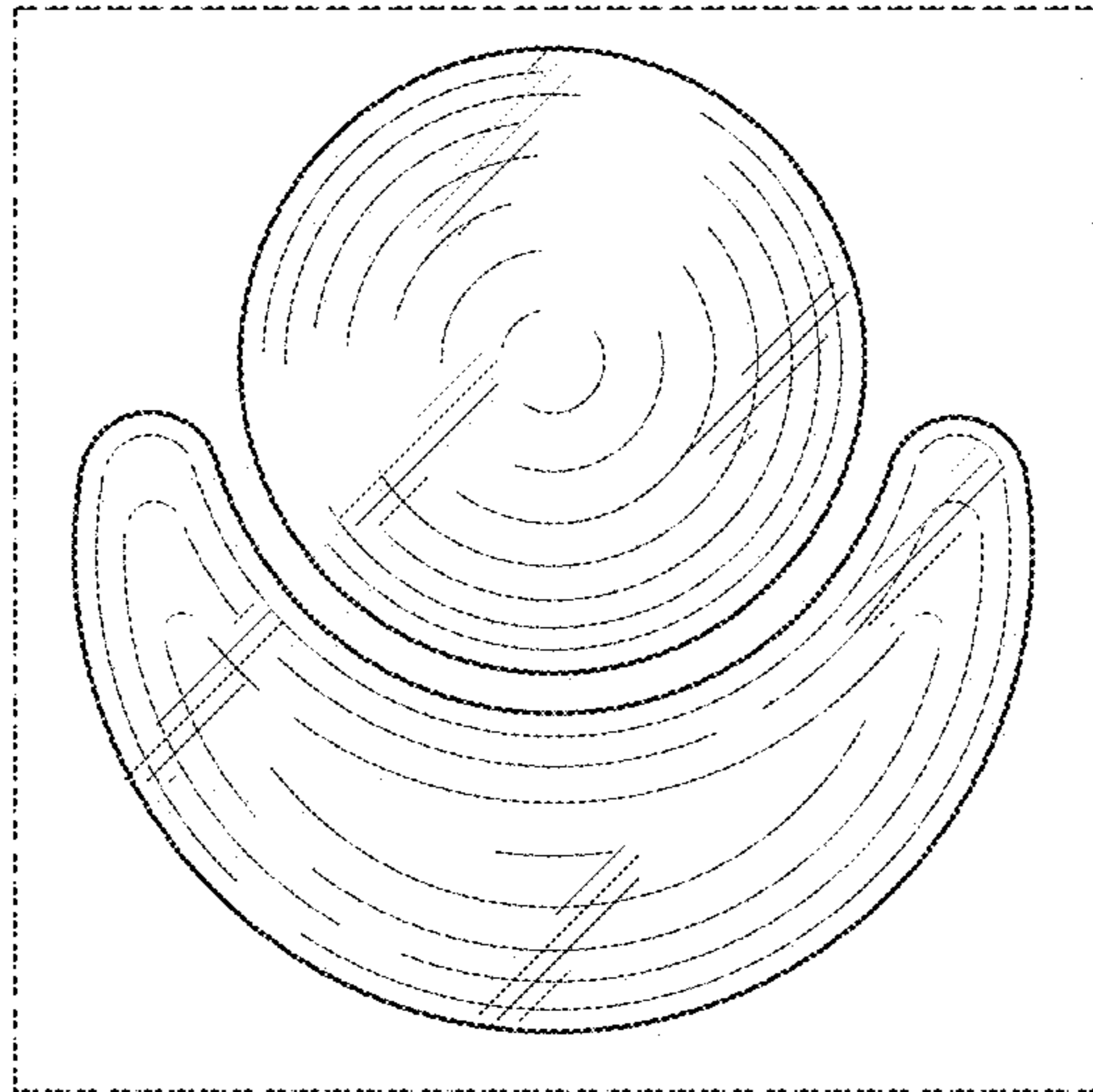


FIG. 11

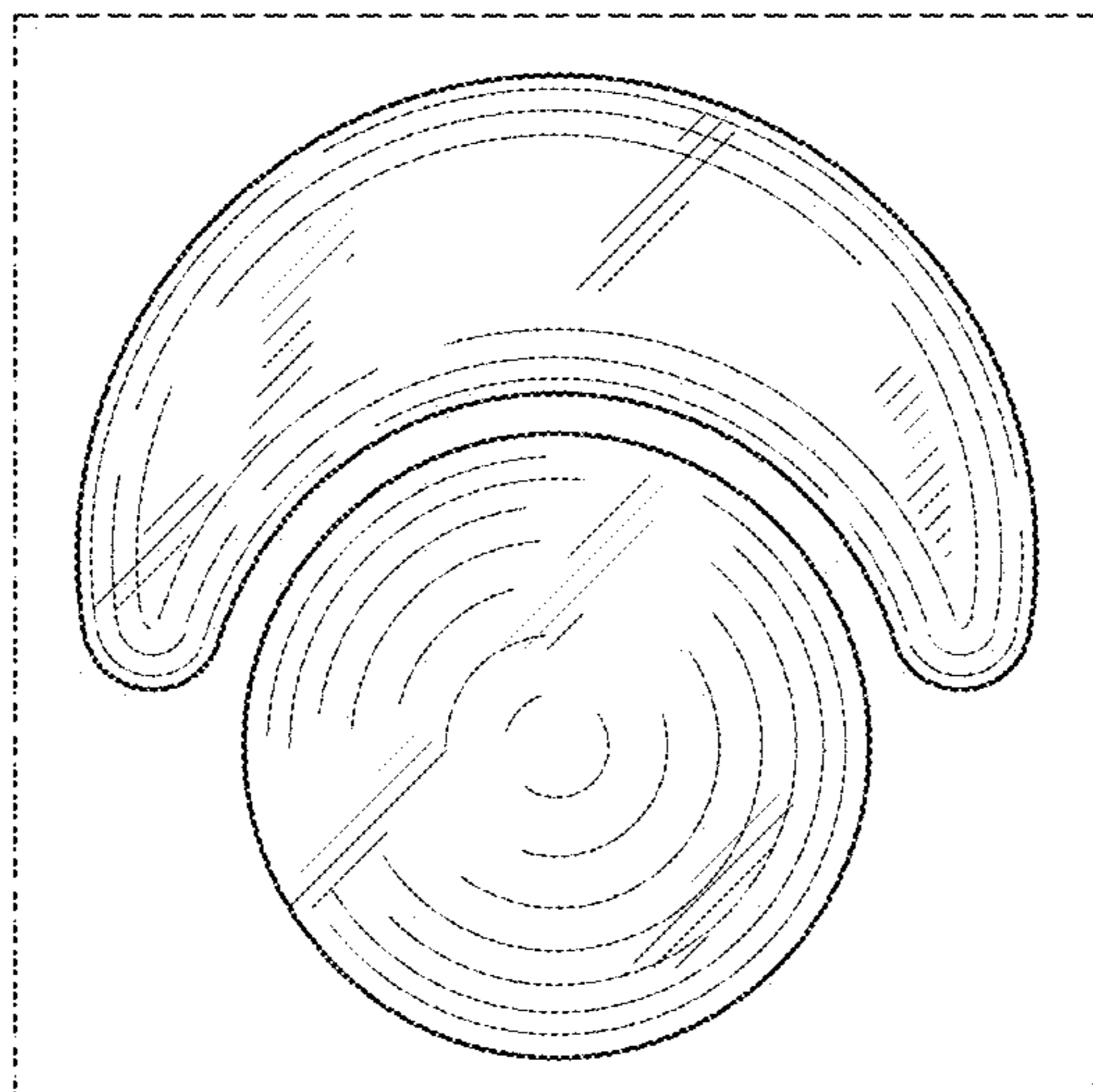


FIG. 12

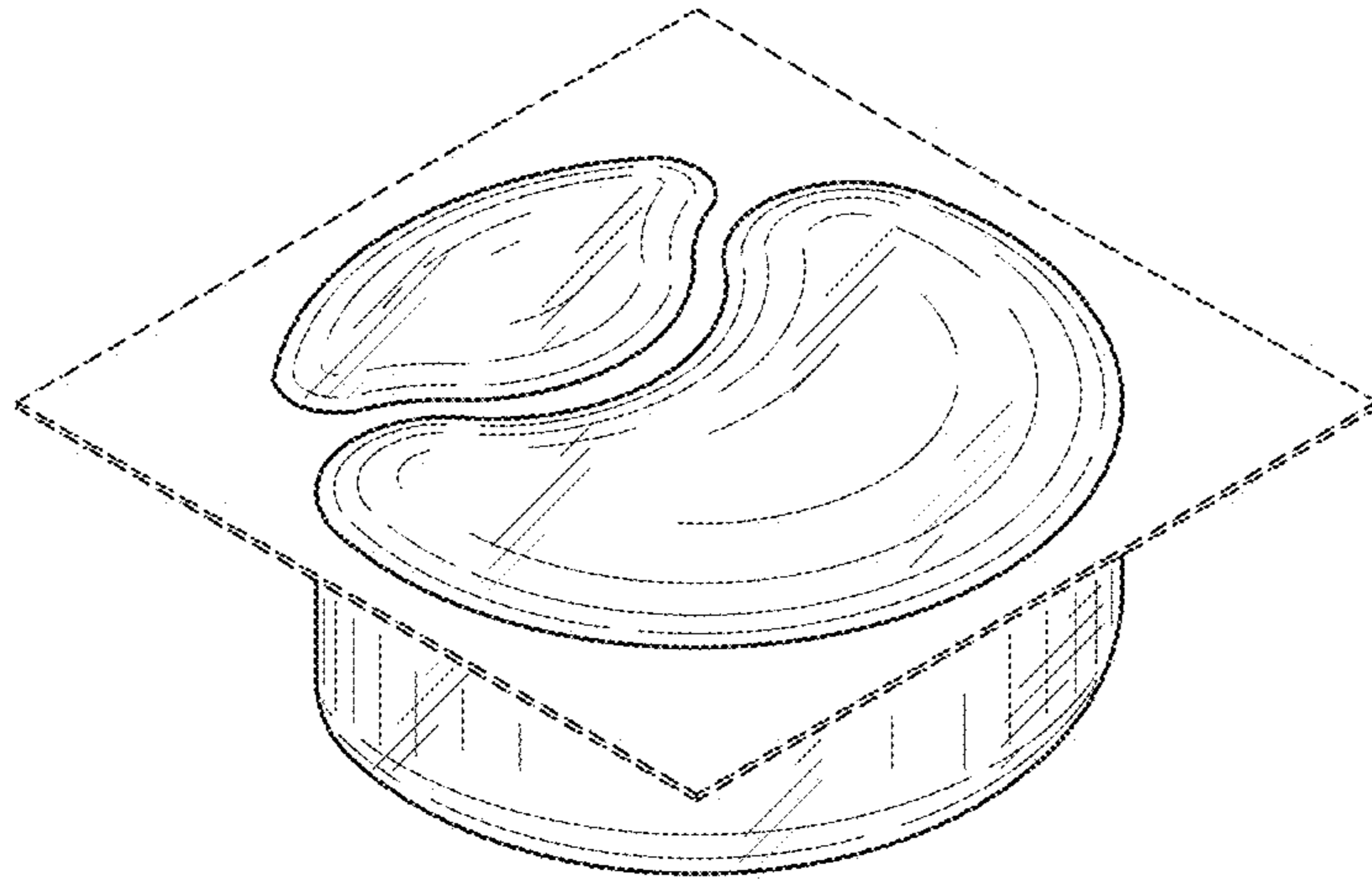


FIG. 13

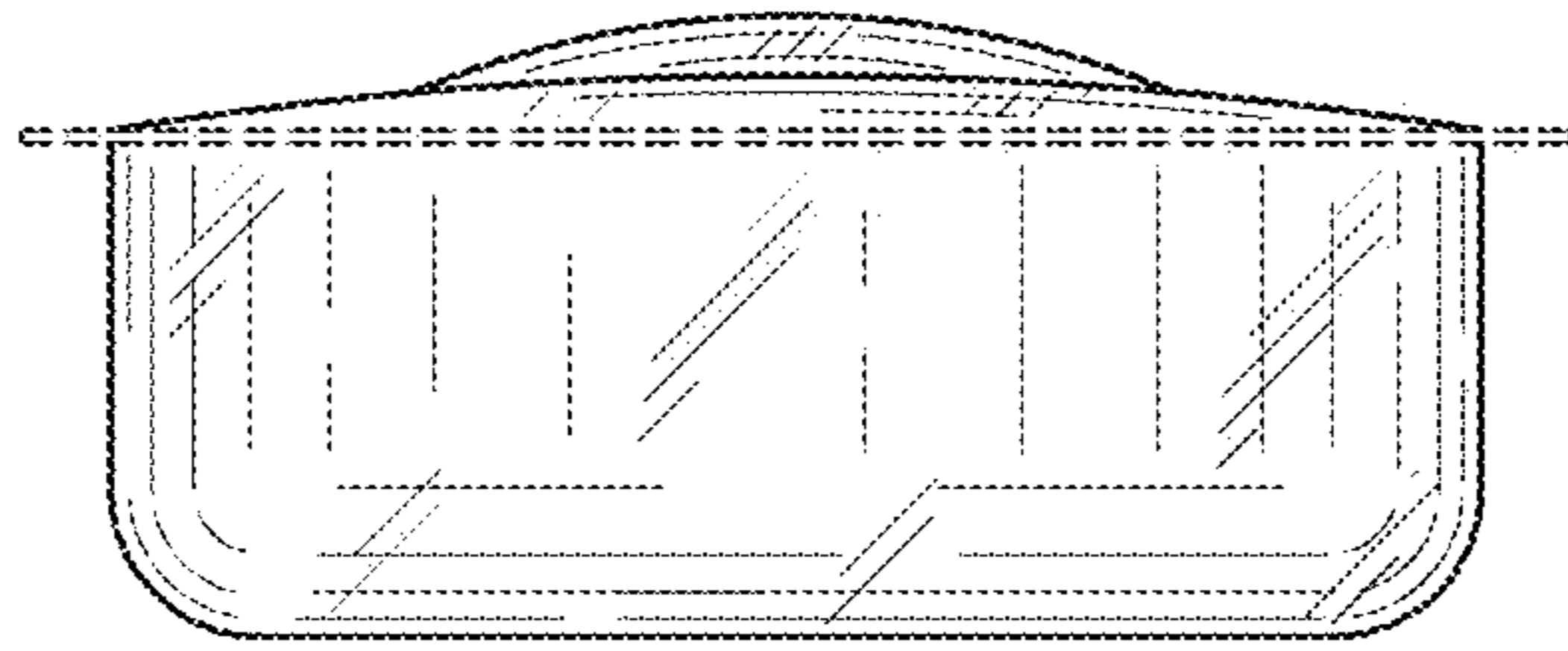


FIG. 14

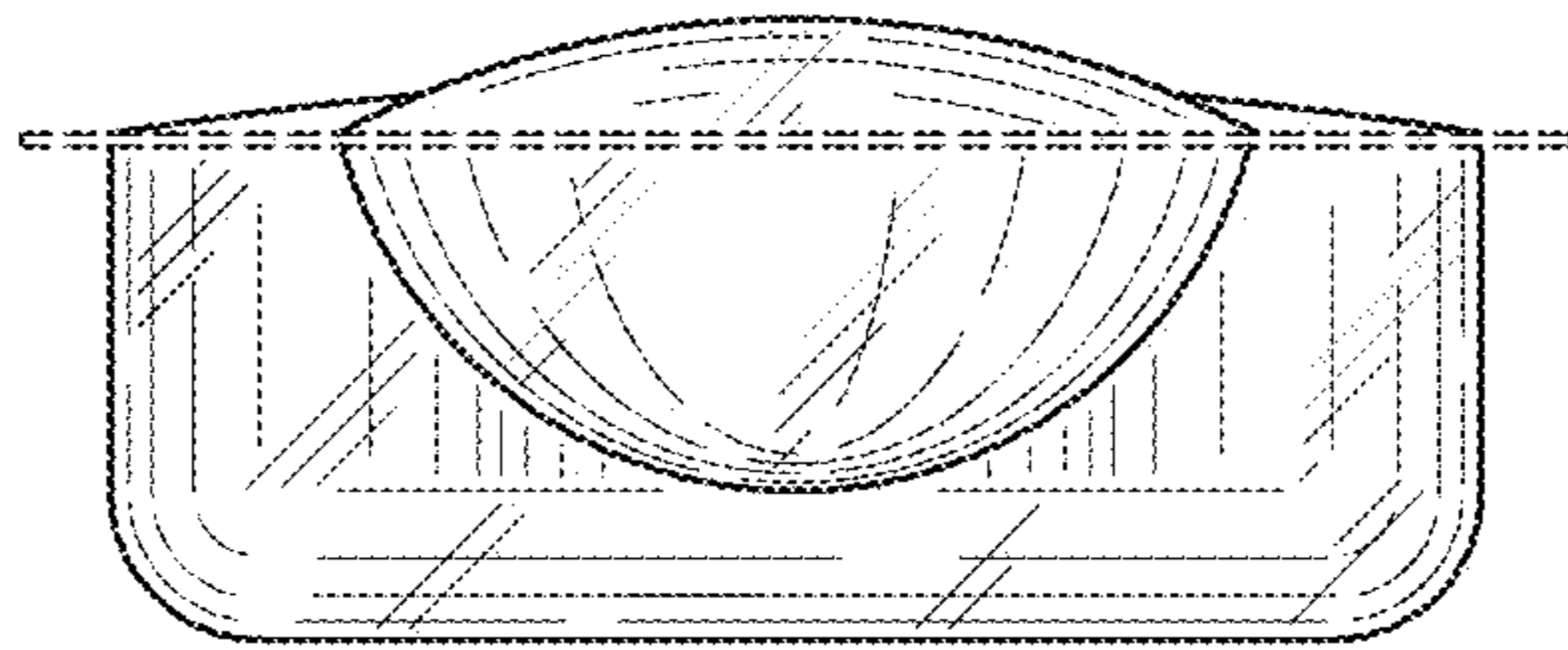


FIG. 15

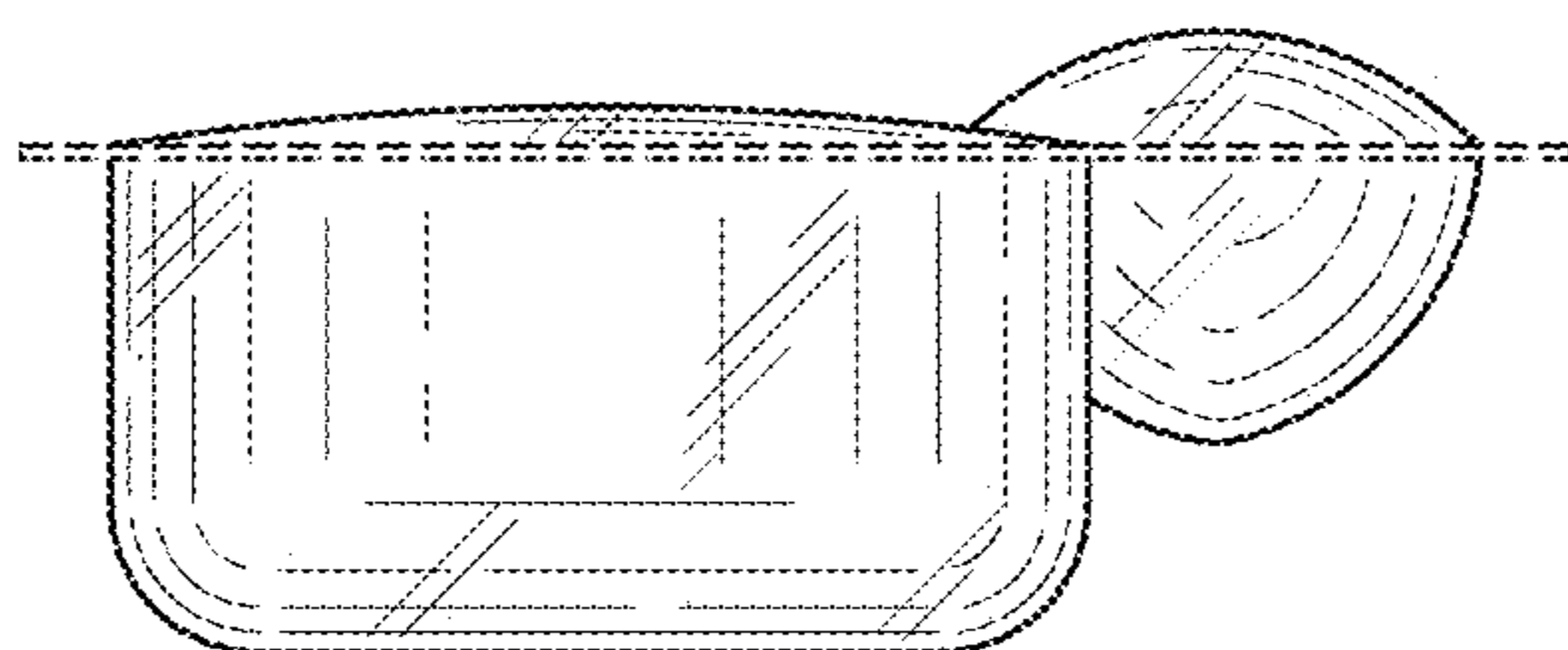


FIG. 16

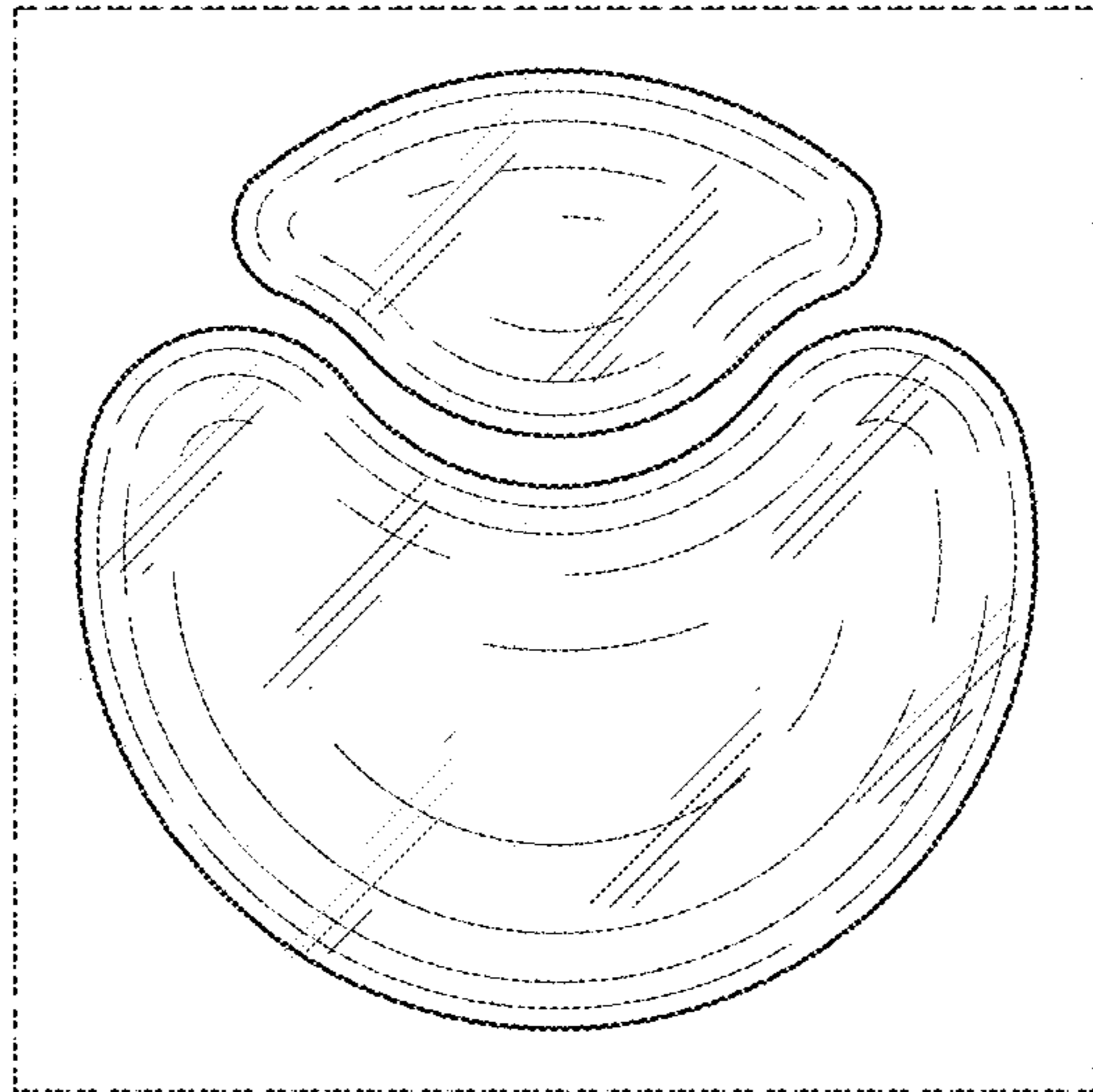


FIG. 17

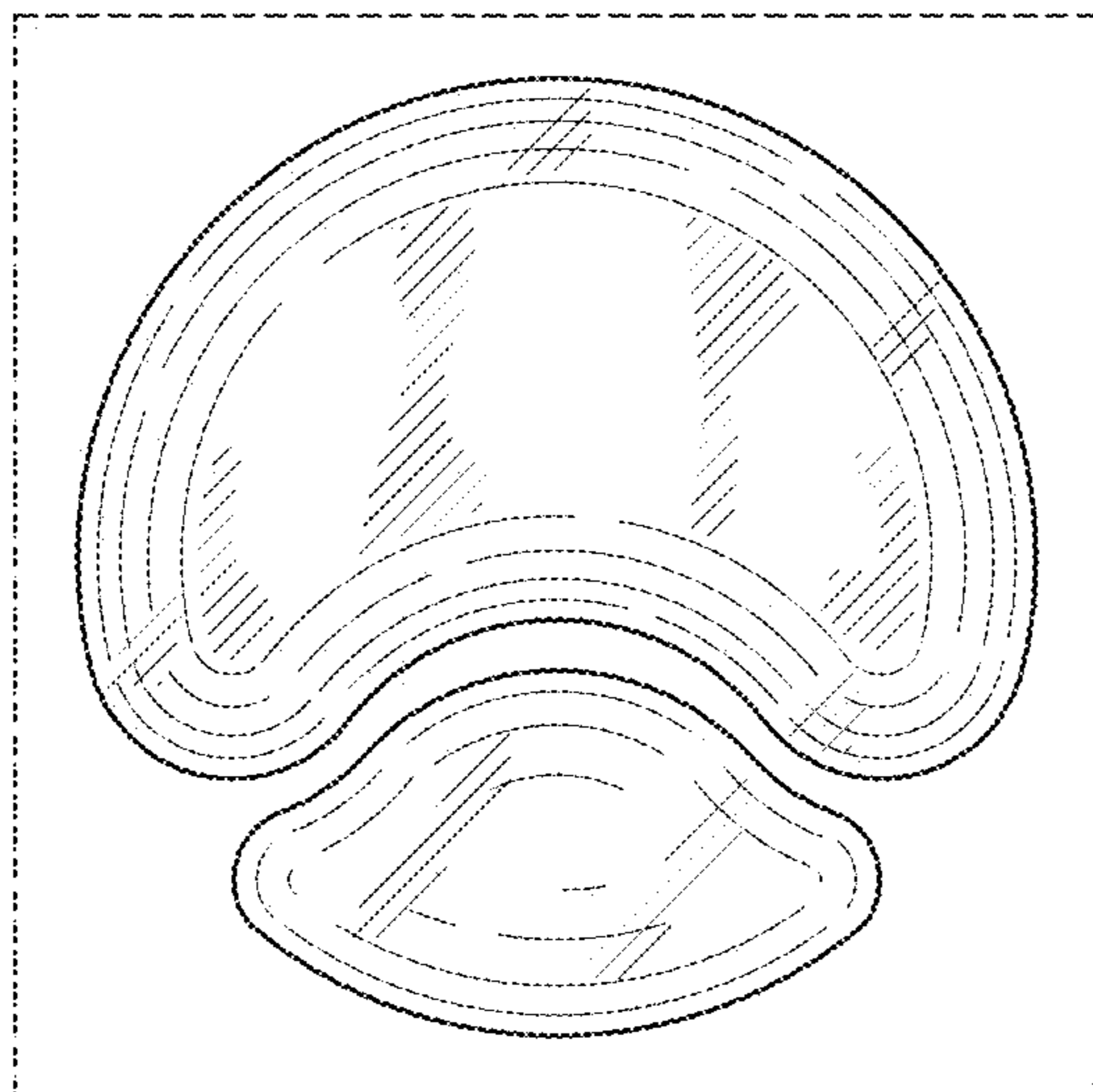


FIG. 18