



US00D981868S

(12) **United States Design Patent** (10) **Patent No.:** **US D981,868 S**
Pepe (45) **Date of Patent:** **** Mar. 28, 2023**

(54) **TOOTHPASTE DISPENSER**

(71) Applicant: **GUALA DISPENSING S.P.A.**,
Alessandria (IT)
(72) Inventor: **Marco Pepe**, Alessandria (IT)
(73) Assignee: **GUALA PACK S.P.A.**, Alessandria
(IT)
(**) Term: **15 Years**

(21) Appl. No.: **35/513,058**

(22) Filed: **Nov. 17, 2021**

(80) **Hague Agreement Data**

Int. Filing Date: **Nov. 17, 2021**
Int. Reg. No.: **DM/217512**
Int. Reg. Date: **Nov. 17, 2021**
Int. Reg. Pub. Date: **Dec. 3, 2021**

(30) **Foreign Application Priority Data**

Jul. 30, 2021 (WO) WIPO107307

(51) **LOC (14) Cl.** **09-01**

(52) **U.S. Cl.**
USPC **D9/688**

(58) **Field of Classification Search**

USPC D9/719, 730, 733, 503, 682, 688, 689,
D9/693; D6/542
CPC A45D 34/00; A45D 34/042; A45D
2200/055; A45D 34/043; A45D
2040/0012; B65D 83/0005; B65D 83/32;
B65D 83/48; B65D 83/0033; B65D
35/28; B65D 83/00; B65D 83/0027;
B65D 51/249; B65D 2231/00; B65D
2575/586; B65D 83/0016; B65D 43/02;
B65D 47/20

See application file for complete search history.

(56) **References Cited**

U.S. PATENT DOCUMENTS

4,629,097 A * 12/1986 Moore B65D 83/0033
222/386
D308,474 S * 6/1990 Seager D9/689
D319,967 S * 9/1991 Battezzore D9/689
5,176,291 A * 1/1993 Fillmore B65D 83/0033
222/325
D344,230 S * 2/1994 Bertolini D9/557
D367,225 S * 2/1996 Rothman D9/730
6,047,862 A * 4/2000 Davies B05B 11/3047
222/327
D437,548 S * 2/2001 Desgrippes D9/688
D490,300 S * 5/2004 Costa D9/690
D530,622 S * 10/2006 Geiberger D9/688
D728,376 S * 5/2015 Floyd D9/692
2020/0102138 A1 * 4/2020 Eng B05B 11/0086

* cited by examiner

Primary Examiner — Lauren R Calve

(74) *Attorney, Agent, or Firm* — Thomas | Horstemeyer,
LLP

(57) **CLAIM**

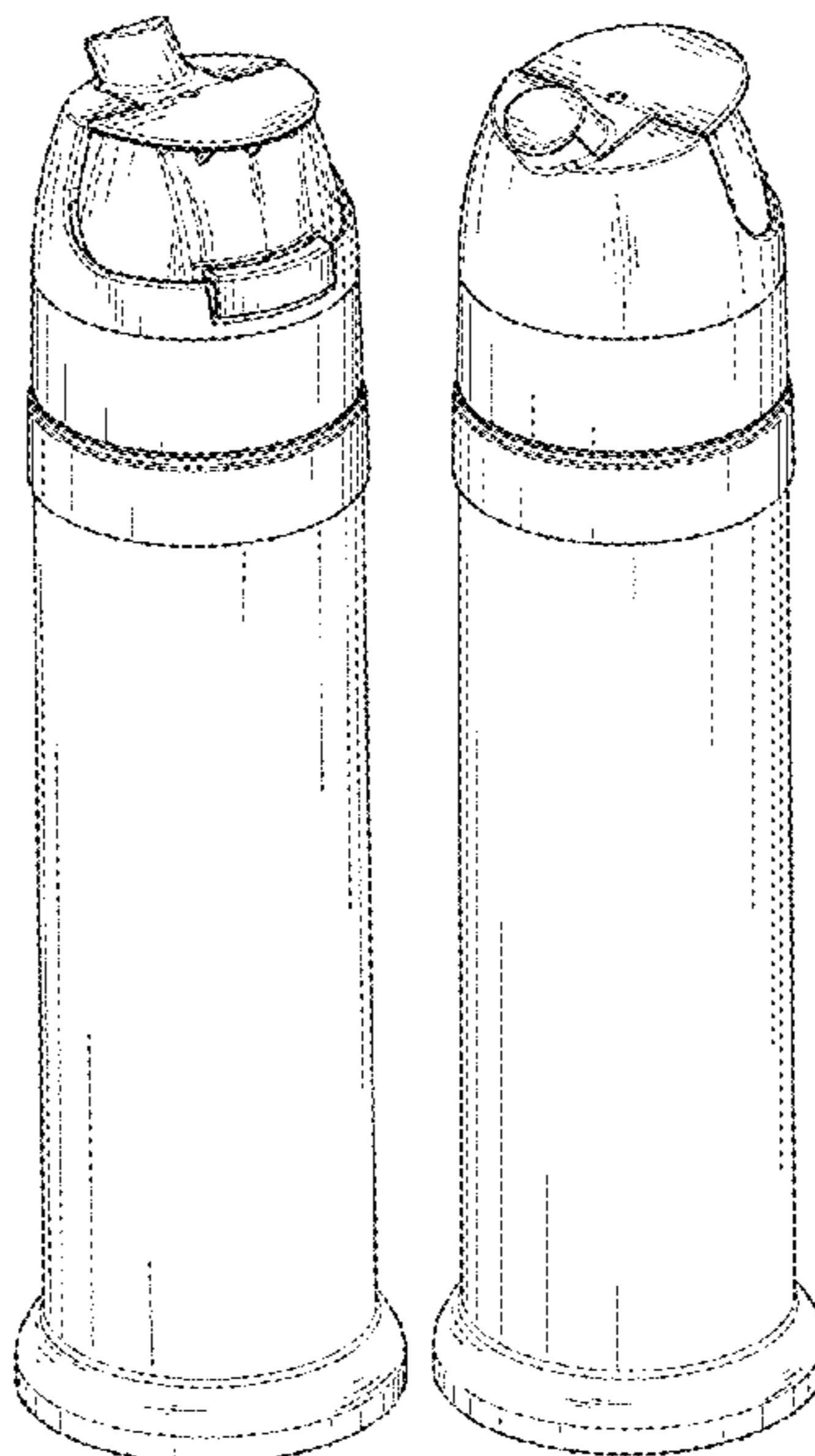
The ornamental design for a toothpaste dispenser, as shown
and described.

DESCRIPTION

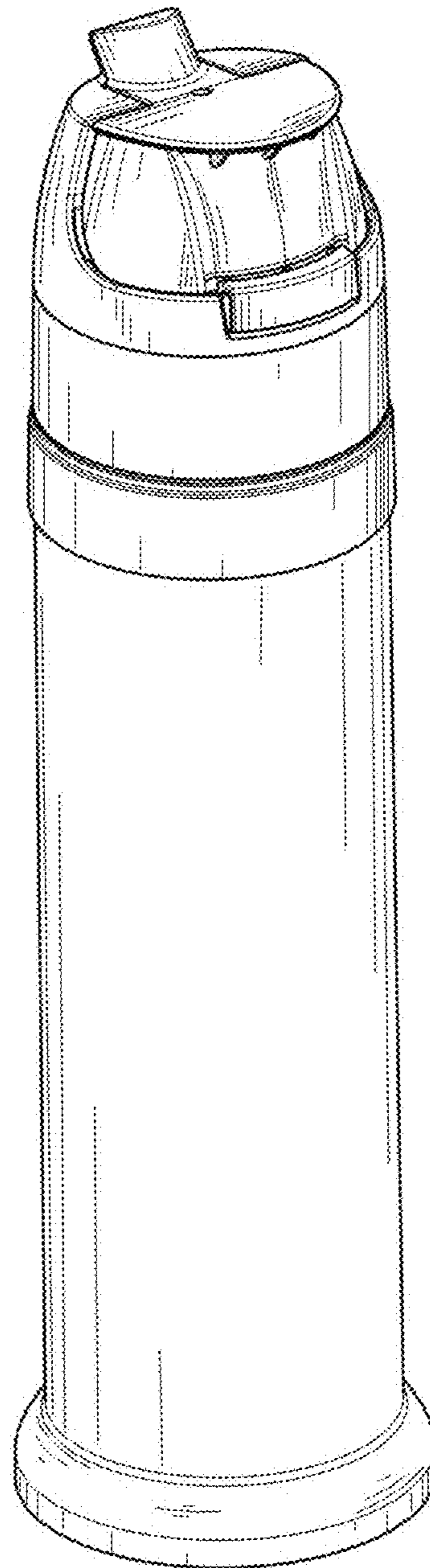
1. Toothpaste dispenser

Fig. 1.1 is a front perspective view of the design; fig. 1.2 is
a rear perspective view thereof; fig. 1.3 is a right view
thereof; fig. 1.4 is a rear view thereof; fig. 1.5 is a left view
thereof; fig. 1.6 is a right view thereof; fig. 1.7 is a top view
thereof; fig. 1.8 is a bottom view thereof.

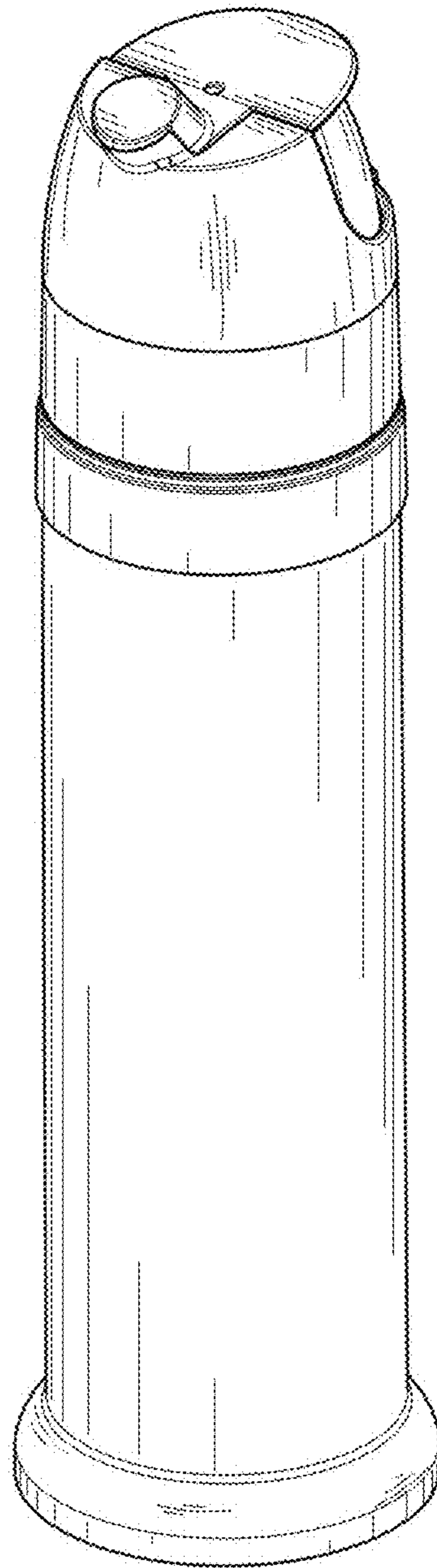
1 Claim, 8 Drawing Sheets



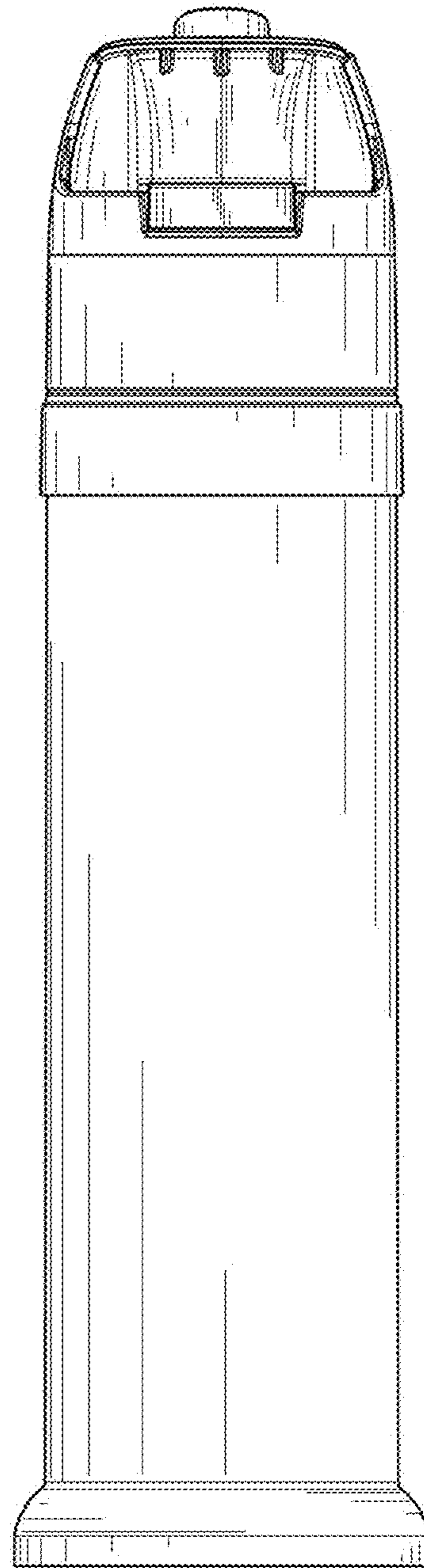
1.1



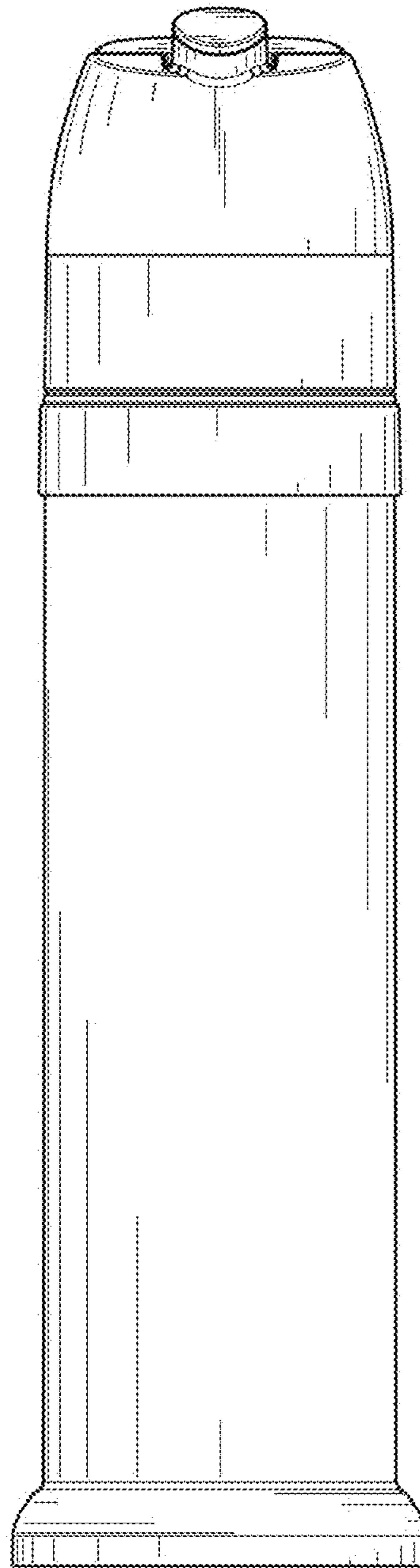
1.2



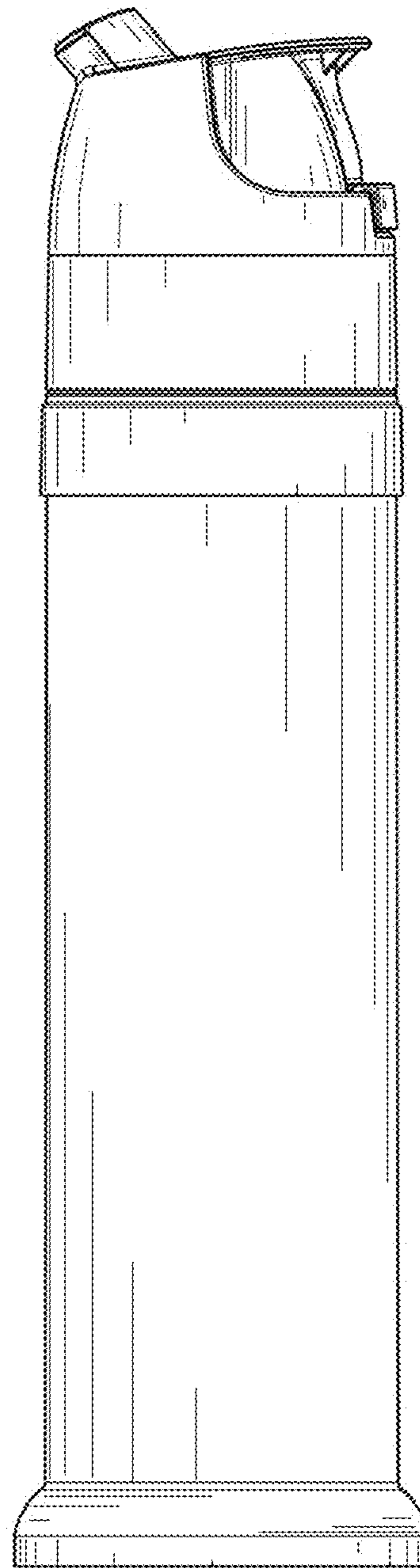
1.3



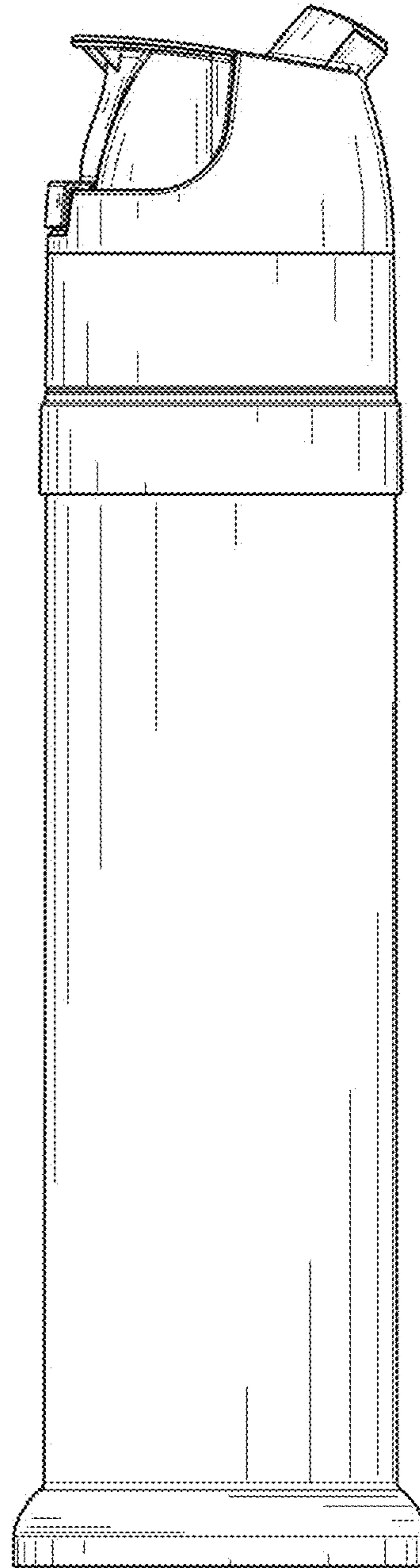
1.4



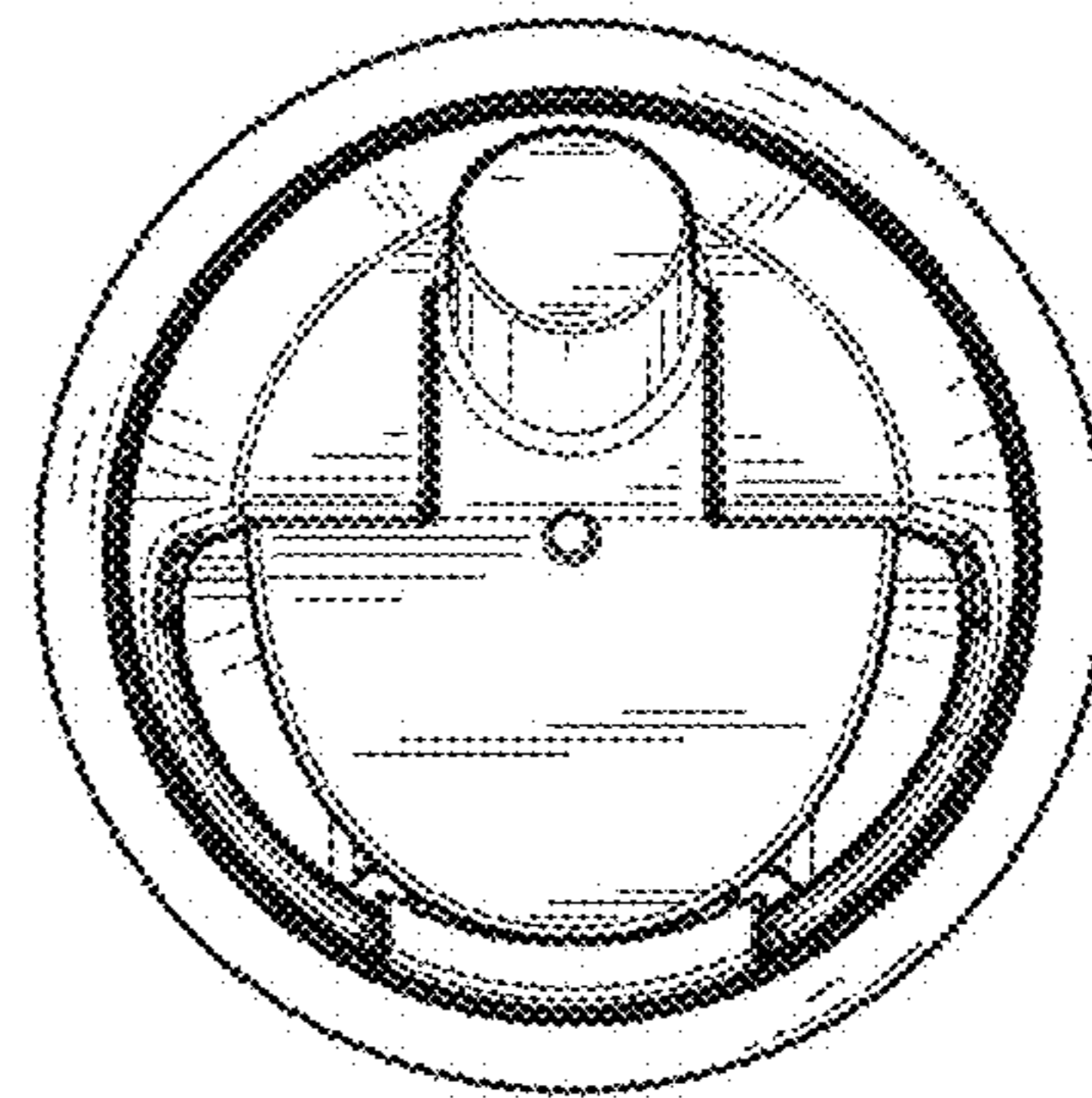
1.5



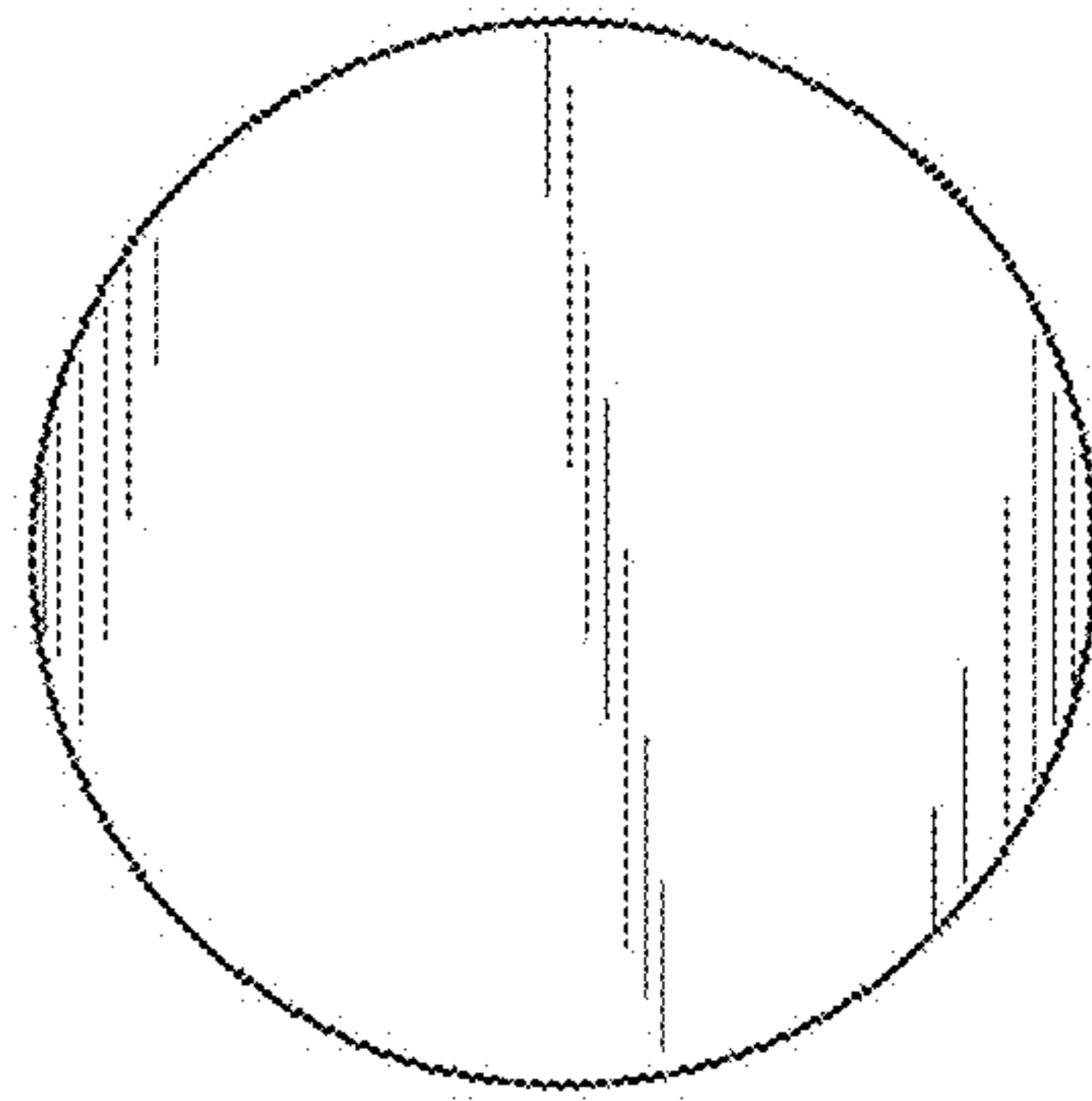
1.6



1.7



1.8



UNITED STATES PATENT AND TRADEMARK OFFICE
CERTIFICATE OF CORRECTION

PATENT NO. : D981,868 S
APPLICATION NO. : 35/513058
DATED : March 28, 2023
INVENTOR(S) : Marco Pepe

Page 1 of 1

It is certified that error appears in the above-identified patent and that said Letters Patent is hereby corrected as shown below:

On the Title Page

Item (73) change the Assignee from "GUALA PACK S.P.A" to --GUALA DISPENSING S.P.A.--

Signed and Sealed this
Seventh Day of January, 2025



Derrick Brent

Acting Director of the United States Patent and Trademark Office