



US00D981857S

(12) **United States Design Patent**  
**Plein**

(10) **Patent No.:** **US D981,857 S**  
(45) **Date of Patent:** **\*\* Mar. 28, 2023**

(54) **PERFUME BOTTLE**

(71) Applicant: **Philipp Patrick Hannes Plein**, Lugano (CH)

(72) Inventor: **Philipp Patrick Hannes Plein**, Lugano (CH)

(\*\*) Term: **15 Years**

(21) Appl. No.: **29/827,100**

(22) Filed: **Feb. 17, 2022**

**Related U.S. Application Data**

(62) Division of application No. 35/509,438, filed on Mar. 9, 2020 (U.S. filing date under 35 U.S.C. 384), and having an international filing date of Mar. 9, 2020, now Pat. No. Des. 973,501.

(51) **LOC (14) Cl.** ..... **09-01**

(52) **U.S. Cl.**  
USPC ..... **D9/626; D9/682**

(58) **Field of Classification Search**  
USPC ..... D9/434, 435, 559, 560, 563, 567,  
D9/572-574, 624-628, 682, 694  
CPC ..... B65D 5/0085; B65D 5/009; B65D 5/32;  
B65D 5/322; B65D 5/427; B65D 5/5253;  
B65D 5/5495; B65D 21/0201; B65D  
21/0204; B65D 25/04; B65D 71/70;  
B65D 77/006; B65D 85/1063; B65D  
85/1072  
See application file for complete search history.

(56) **References Cited**

**U.S. PATENT DOCUMENTS**

D50,421 S ‡	3/1917	Johnson	.....	D9/626
D61,840 S *	1/1923	Baxter	.....	D9/628
D329,596 S *	9/1992	Dinand	.....	D9/544
D329,805 S *	9/1992	Normand	.....	D9/567
D459,650 S ‡	7/2002	Gagnon	.....	D9/687

D609,110 S *	2/2010	Moretti	.....	D9/627
D610,916 S *	3/2010	Yeung	.....	D9/682
D680,877 S *	4/2013	Ghandour	.....	D9/575
D695,126 S *	12/2013	Versace	.....	D9/566
D696,957 S *	1/2014	Pinabel	.....	D9/554
D710,207 S *	8/2014	Pinabel	.....	D9/542
D736,647 S ‡	8/2015	DeMarco	.....	D9/694
D741,723 S ‡	10/2015	Staab	.....	D9/687
D748,489 S *	2/2016	Ricci	.....	D9/602

(Continued)

**OTHER PUBLICATIONS**

Luxe Packaging Insight; "Bottle (Fragrance & Cosmetics): The S\$ull"; [online] 'www.luxepackagininsight.com/article/bottle-fragrance-cosmetics-kull.57149'; dated Oct. 14, 2020; accessed Apr. 1, 2022 (Year: 2020).\*

*Primary Examiner* — Keli L Hill

(74) *Attorney, Agent, or Firm* — Jason L. DeFrancesco

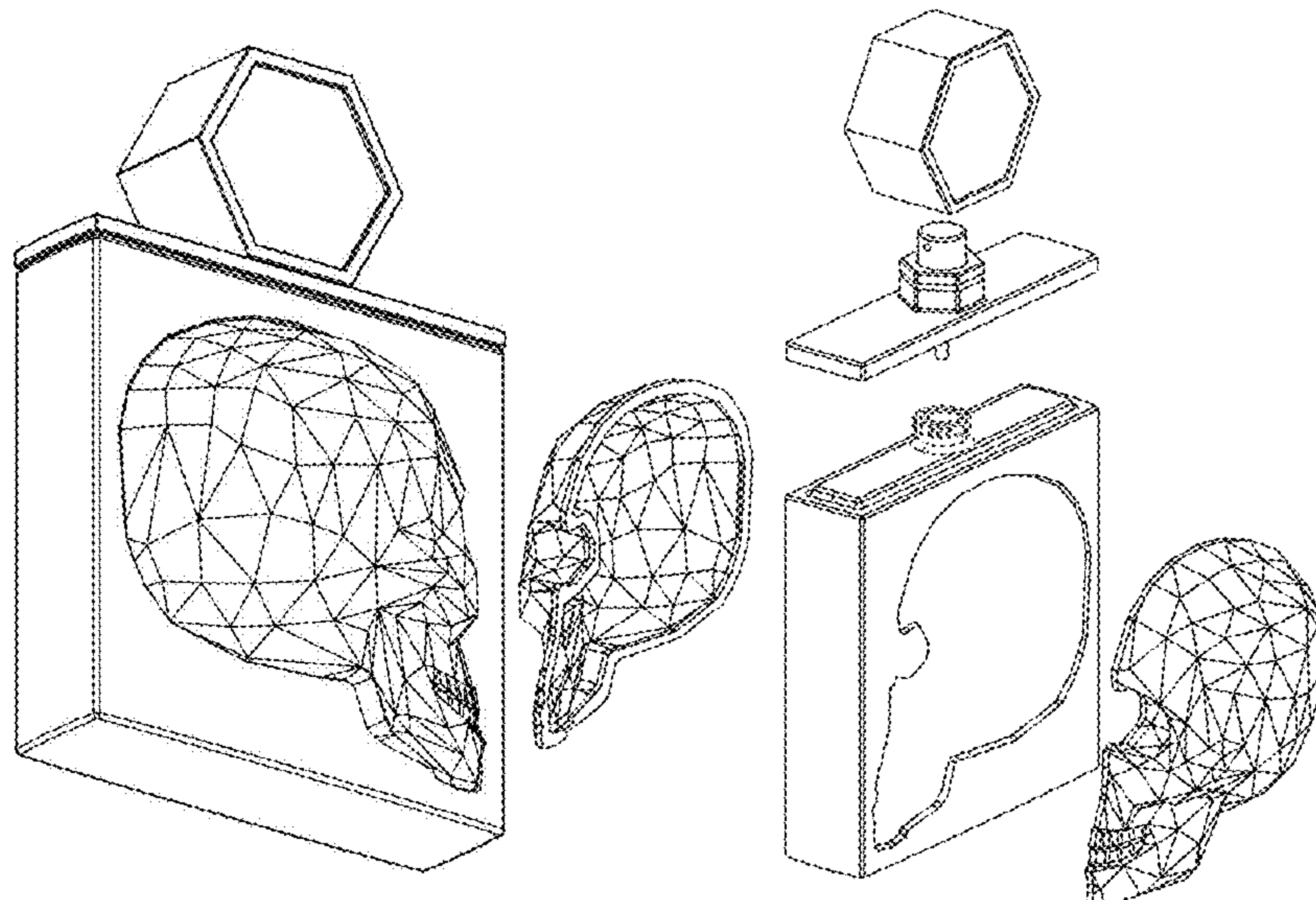
(57) **CLAIM**

The ornamental design for a perfume bottle, as shown and described.

**DESCRIPTION**

FIG. 1 is a front view of the perfume bottle in accordance with the new design;  
FIG. 2 is a top, front and left side perspective view thereof;  
FIG. 3 is a bottom, rear and right side perspective view thereof;  
FIG. 4 is a back view thereof;  
FIG. 5 is a left side view thereof;  
FIG. 6 is a right side view thereof;  
FIG. 7 is a top plan view thereof;  
FIG. 8 is a bottom plan view thereof;  
FIG. 9 is a perspective view thereof with top removed; and,  
FIG. 10 is an exploded view thereof.  
The broken lines of threading on bottle neck in FIG. 10 form no part of the claimed design.

**1 Claim, 10 Drawing Sheets**



(56)

**References Cited**

U.S. PATENT DOCUMENTS

D759,497 S \* 6/2016 Versace ..... D9/625  
D772,704 S ‡ 11/2016 Hagleitner ..... B05B 11/0038  
D9/449  
D846,997 S ‡ 4/2019 Silva ..... A45D 33/26  
D9/687  
D941,153 S \* 1/2022 McGregor ..... B05B 11/0038  
D9/571  
D973,500 S \* 12/2022 Vivas Carmen ..... D9/560  
2008/0023575 A1 \* 1/2008 Trumble ..... B05B 11/0038  
222/135  
2009/0126758 A1 ‡ 5/2009 Chen ..... A45D 33/26  
132/294

\* cited by examiner

‡ imported from a related application

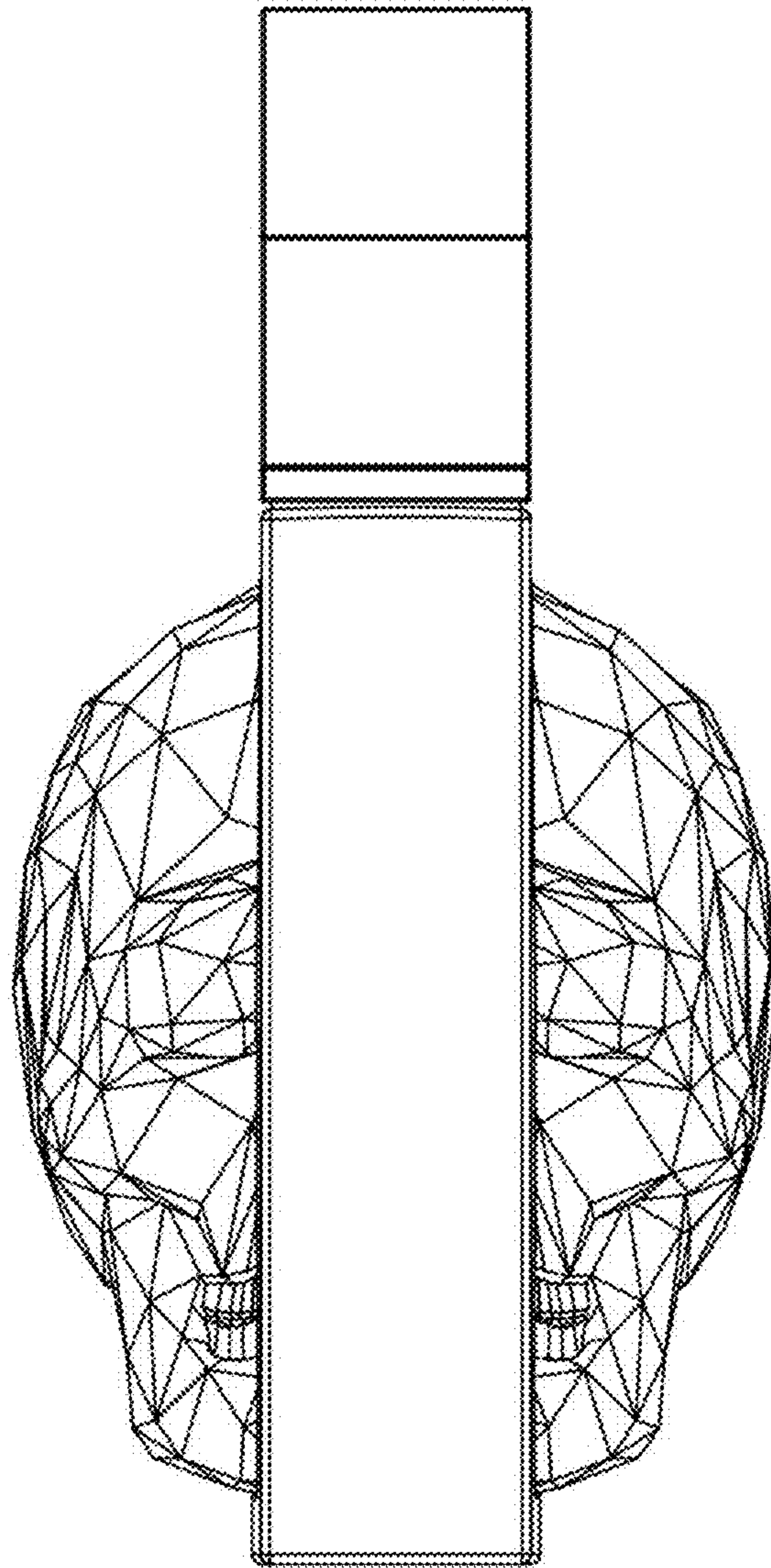


FIG. 1



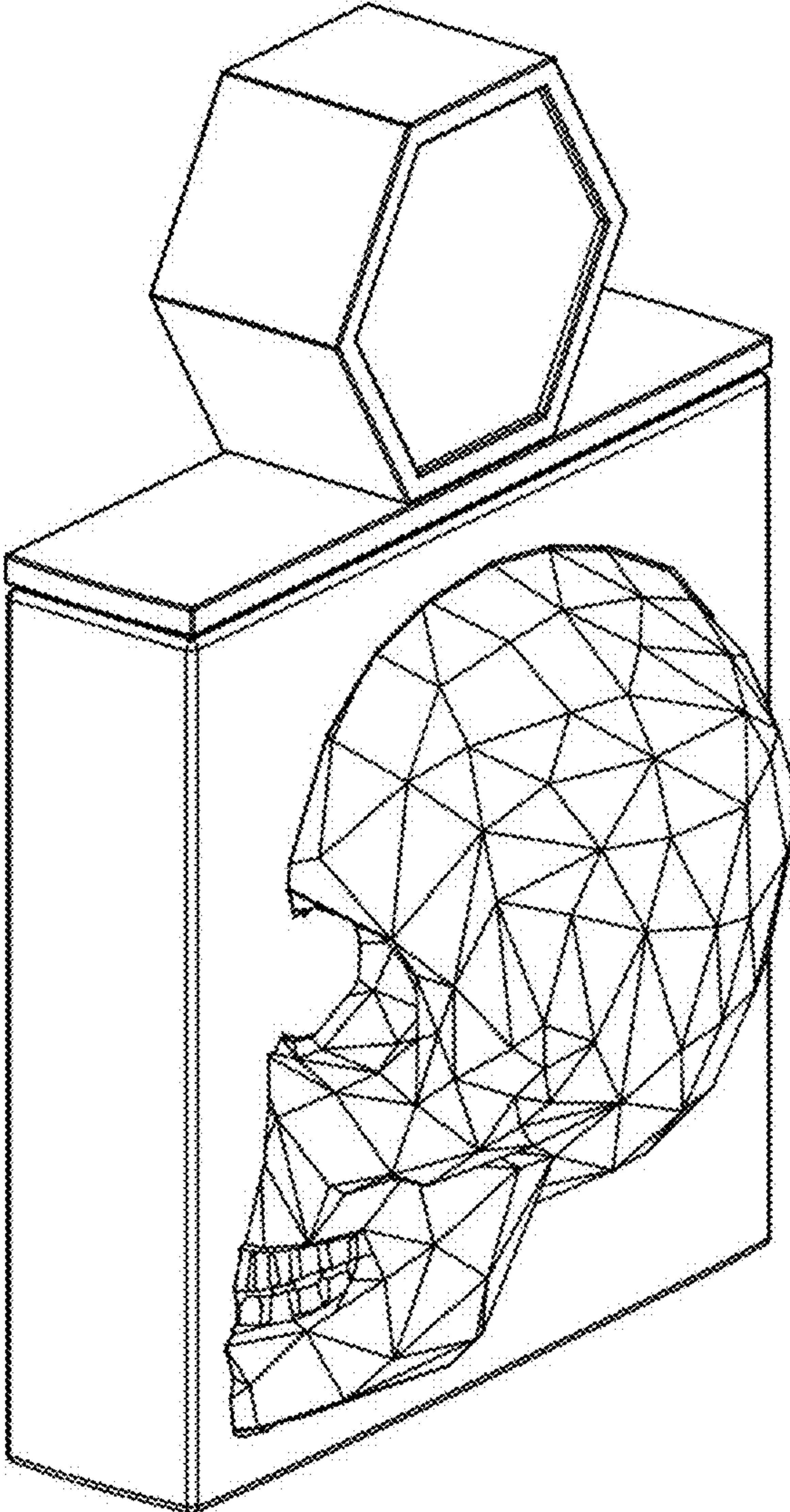


FIG. 2

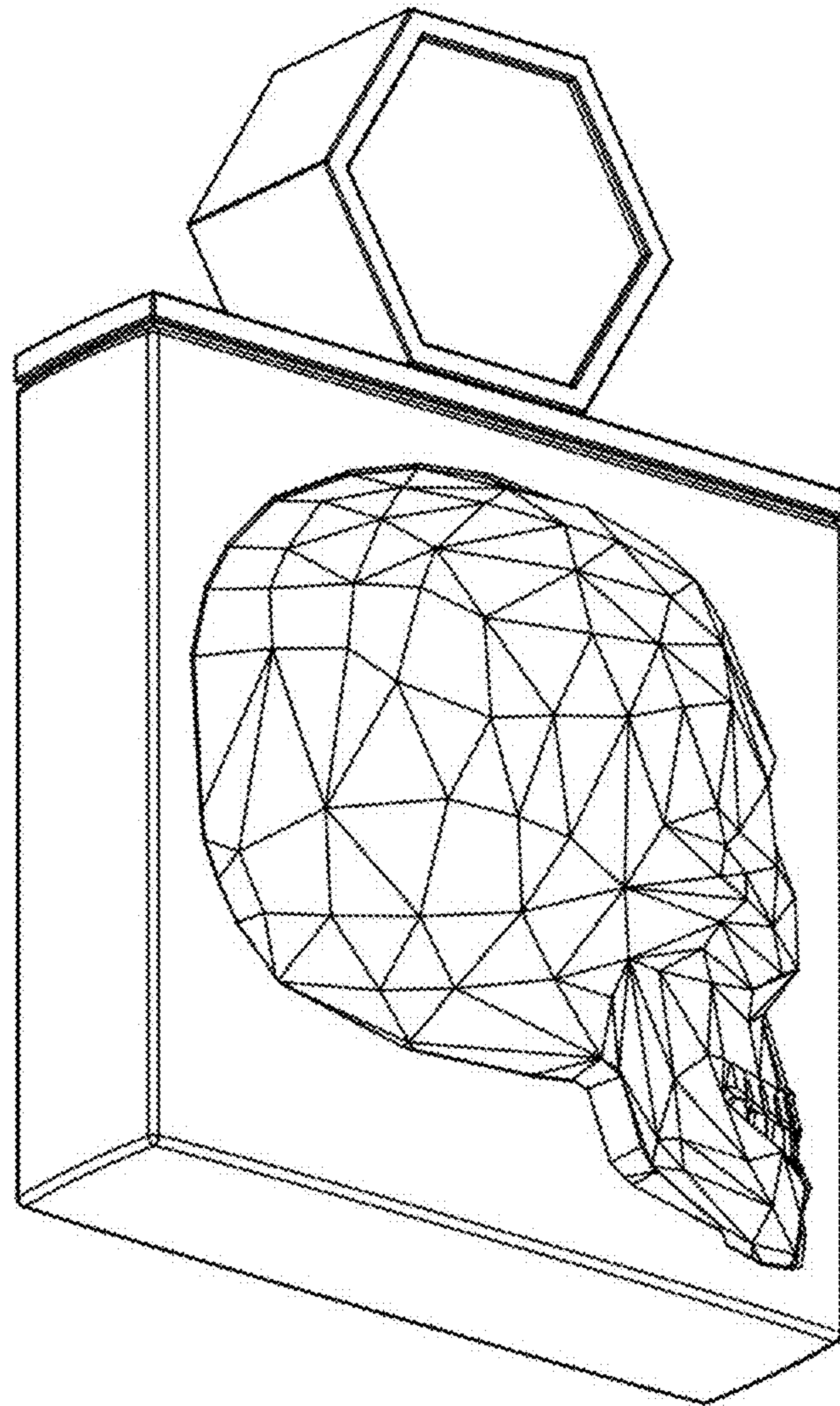


FIG. 3

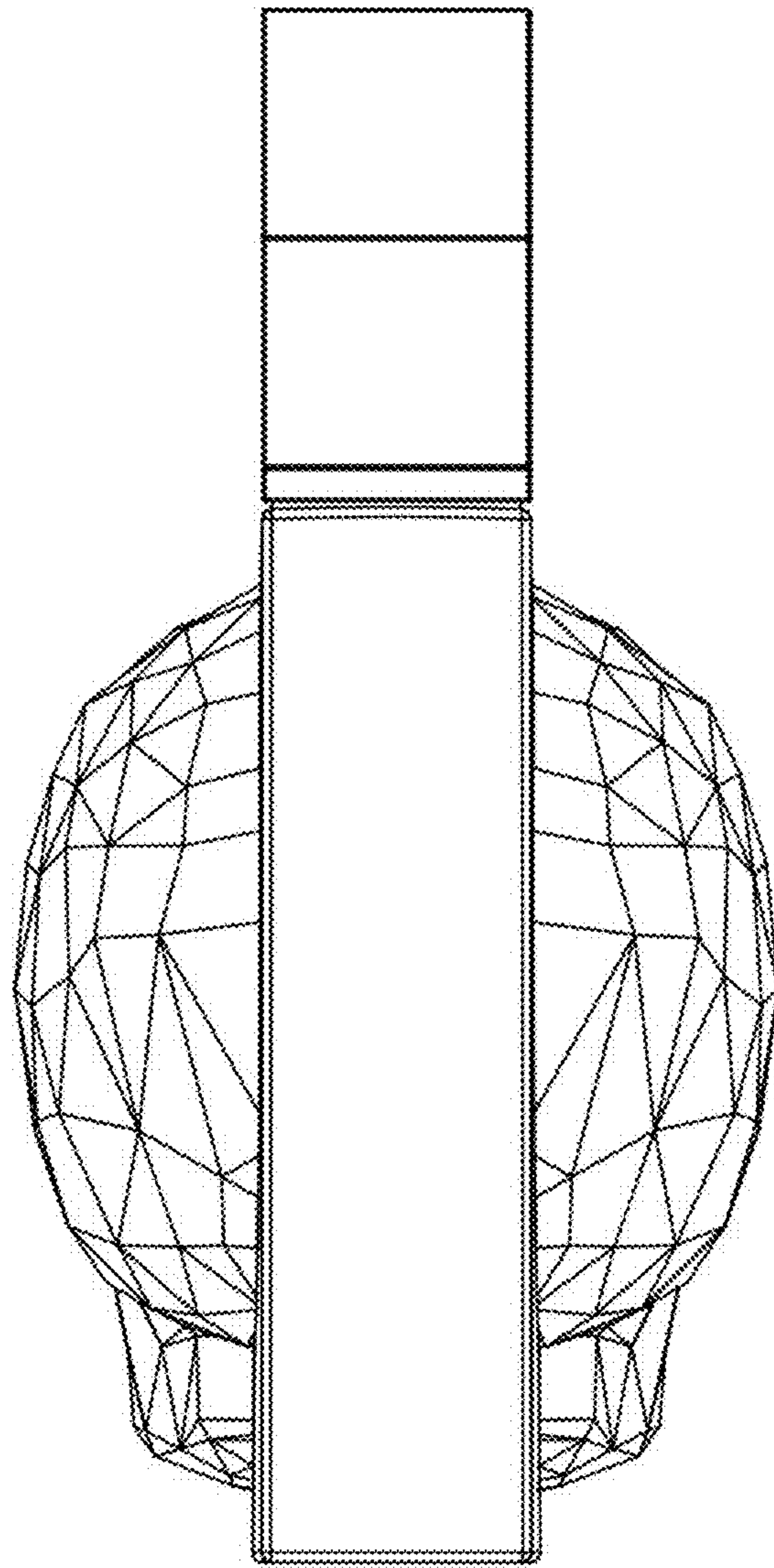


FIG. 4



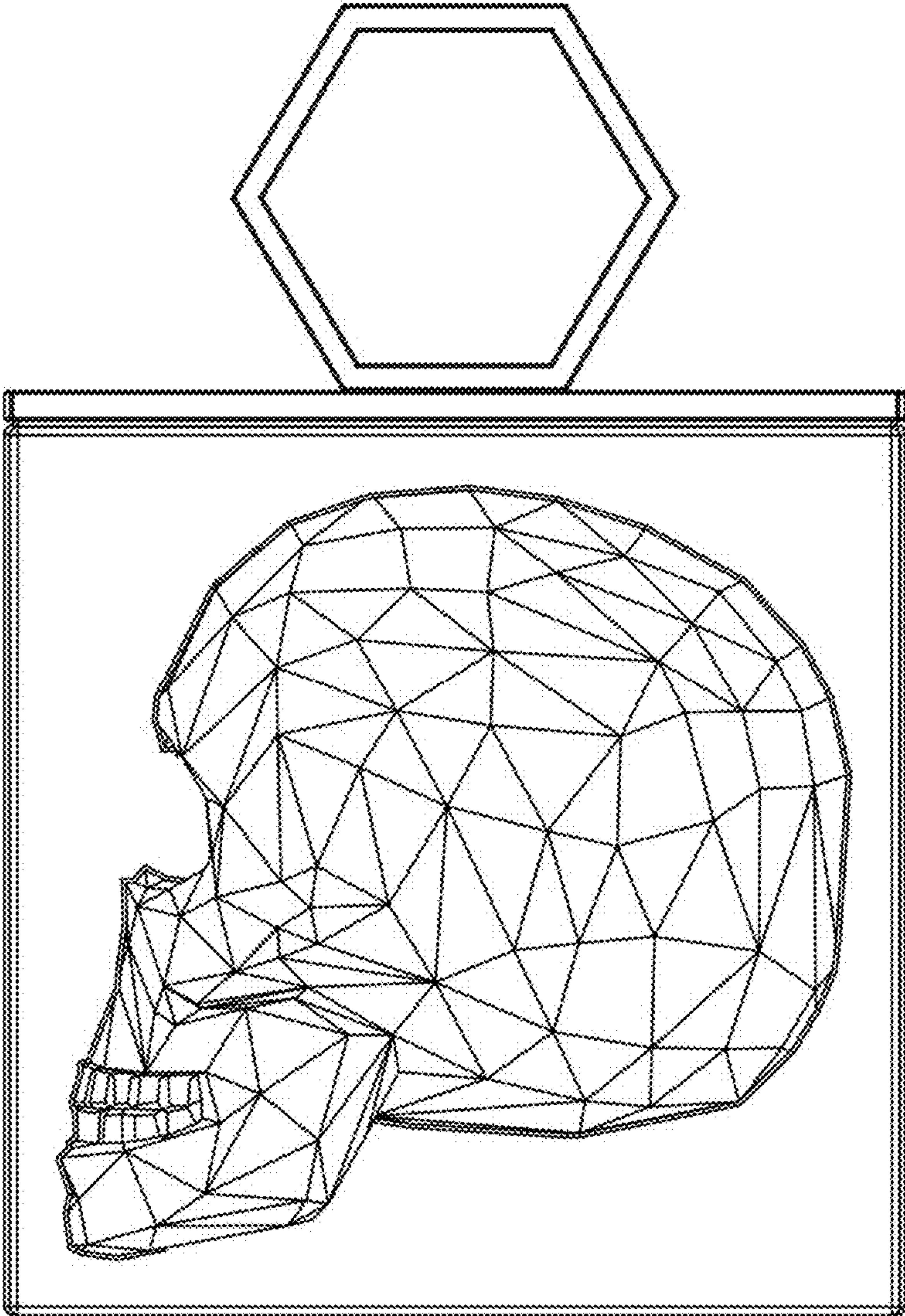


FIG. 5

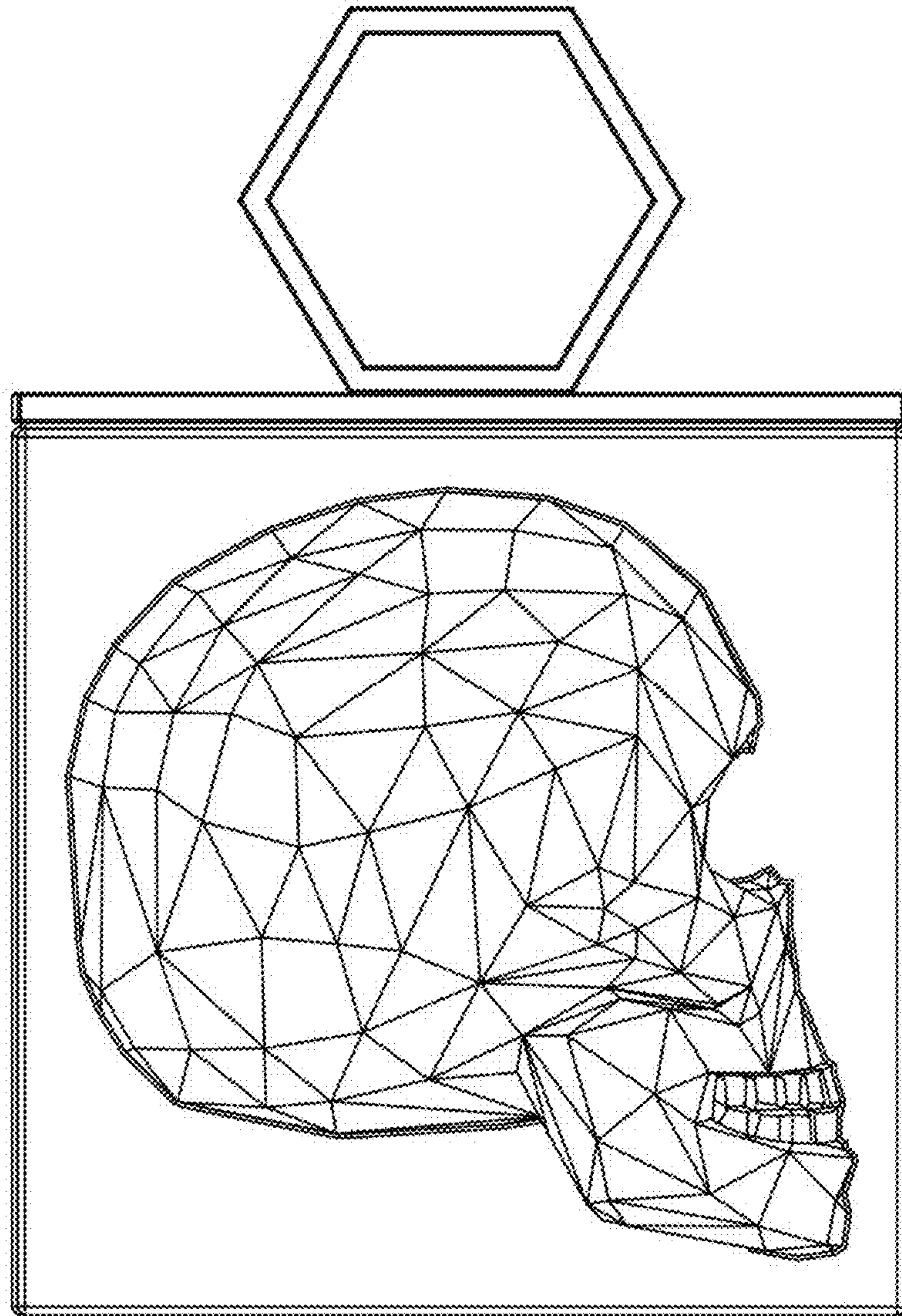


FIG. 6



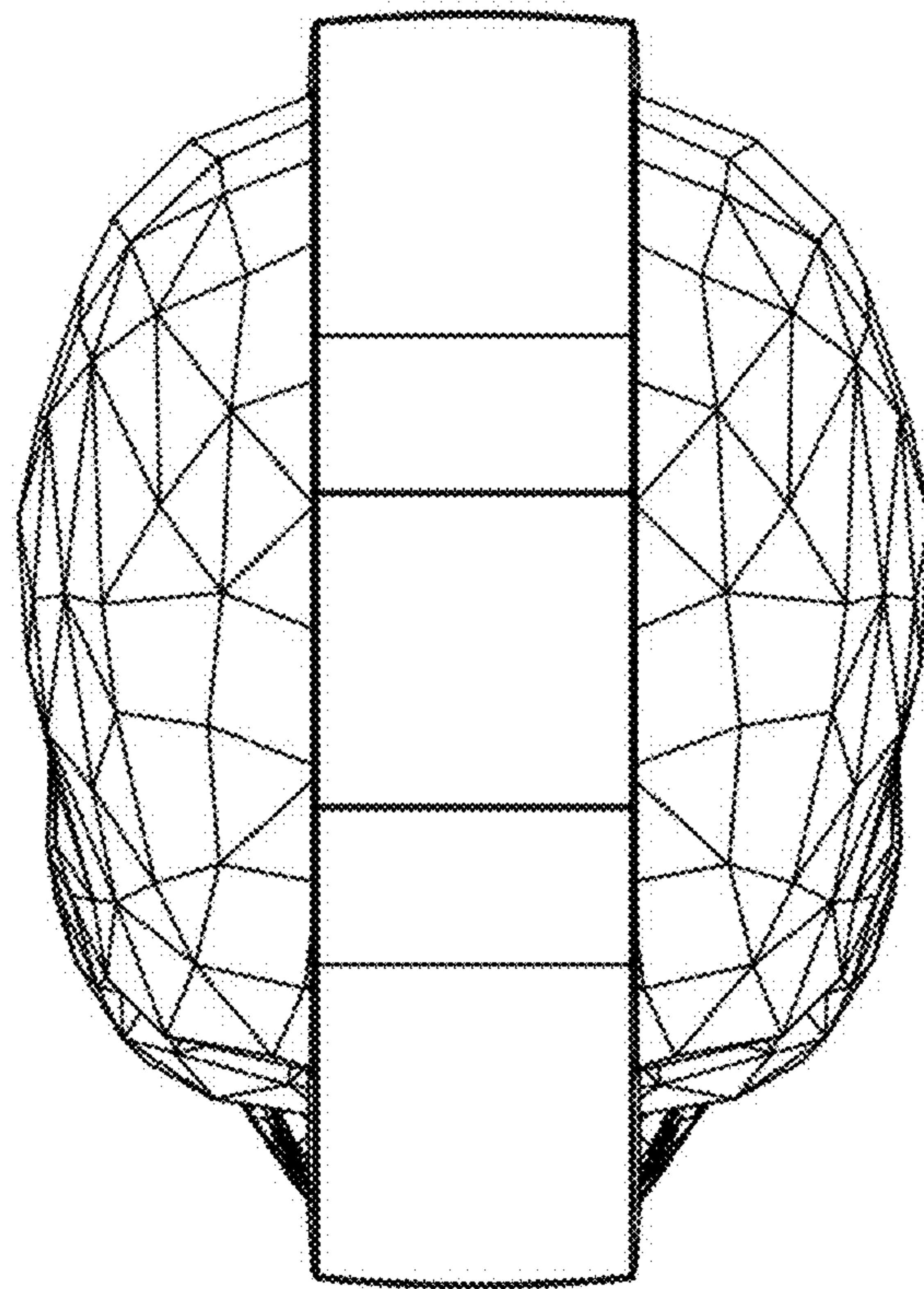


FIG. 7

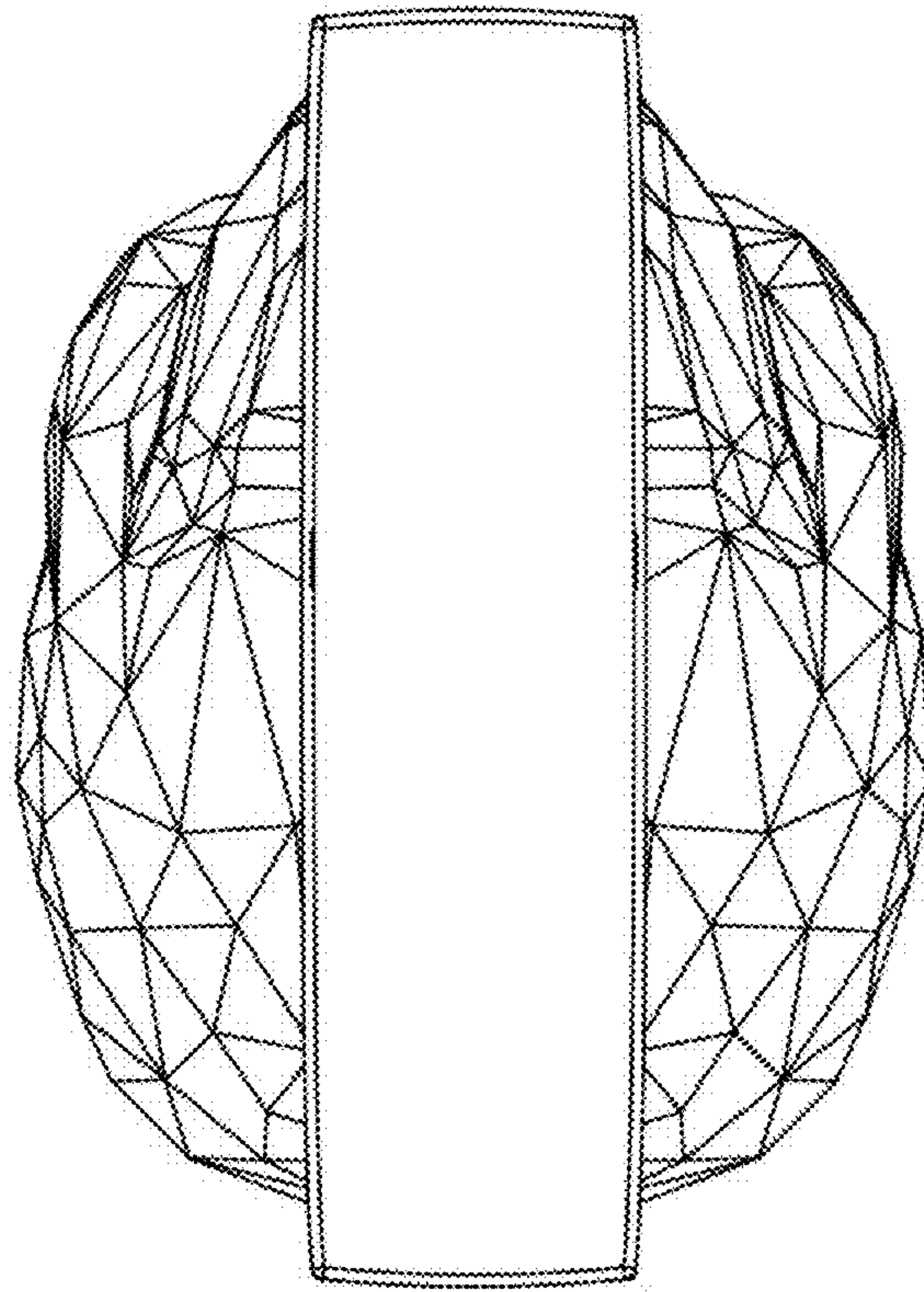


FIG. 8

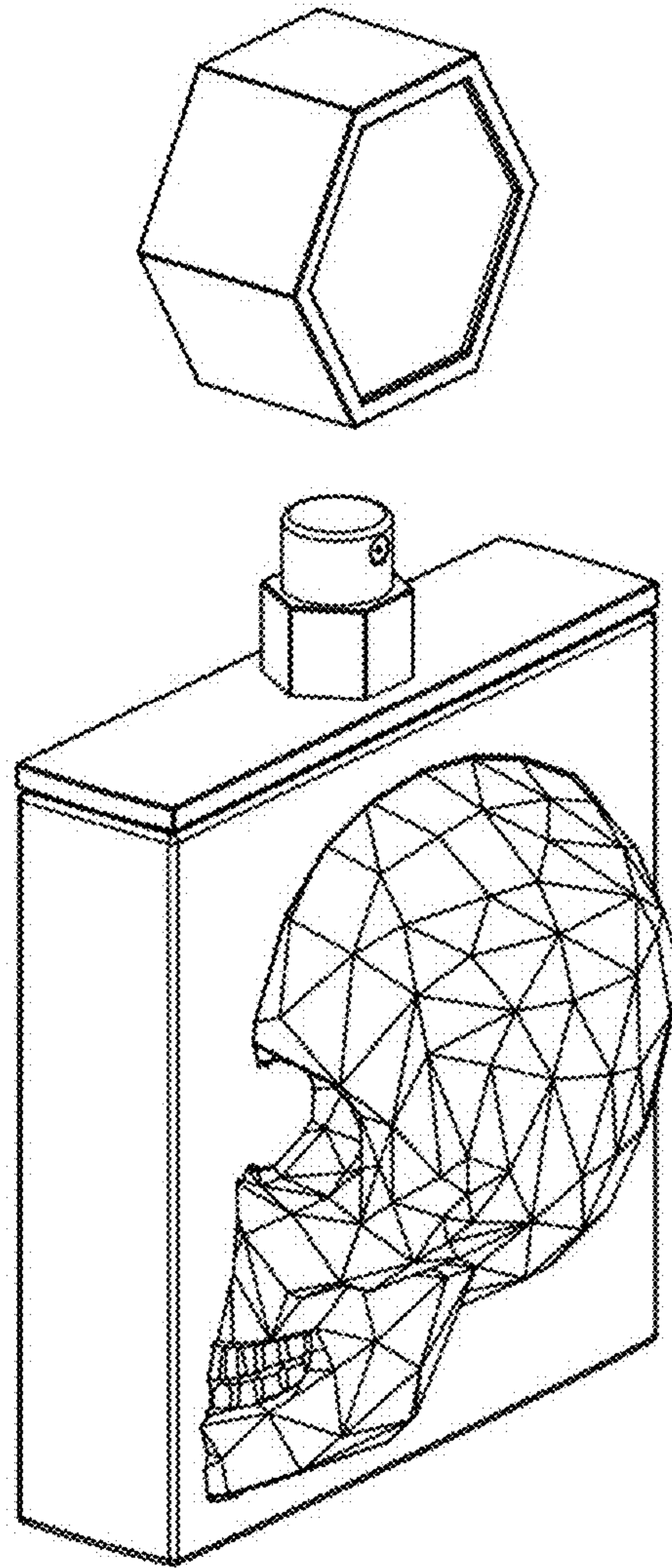


FIG. 9



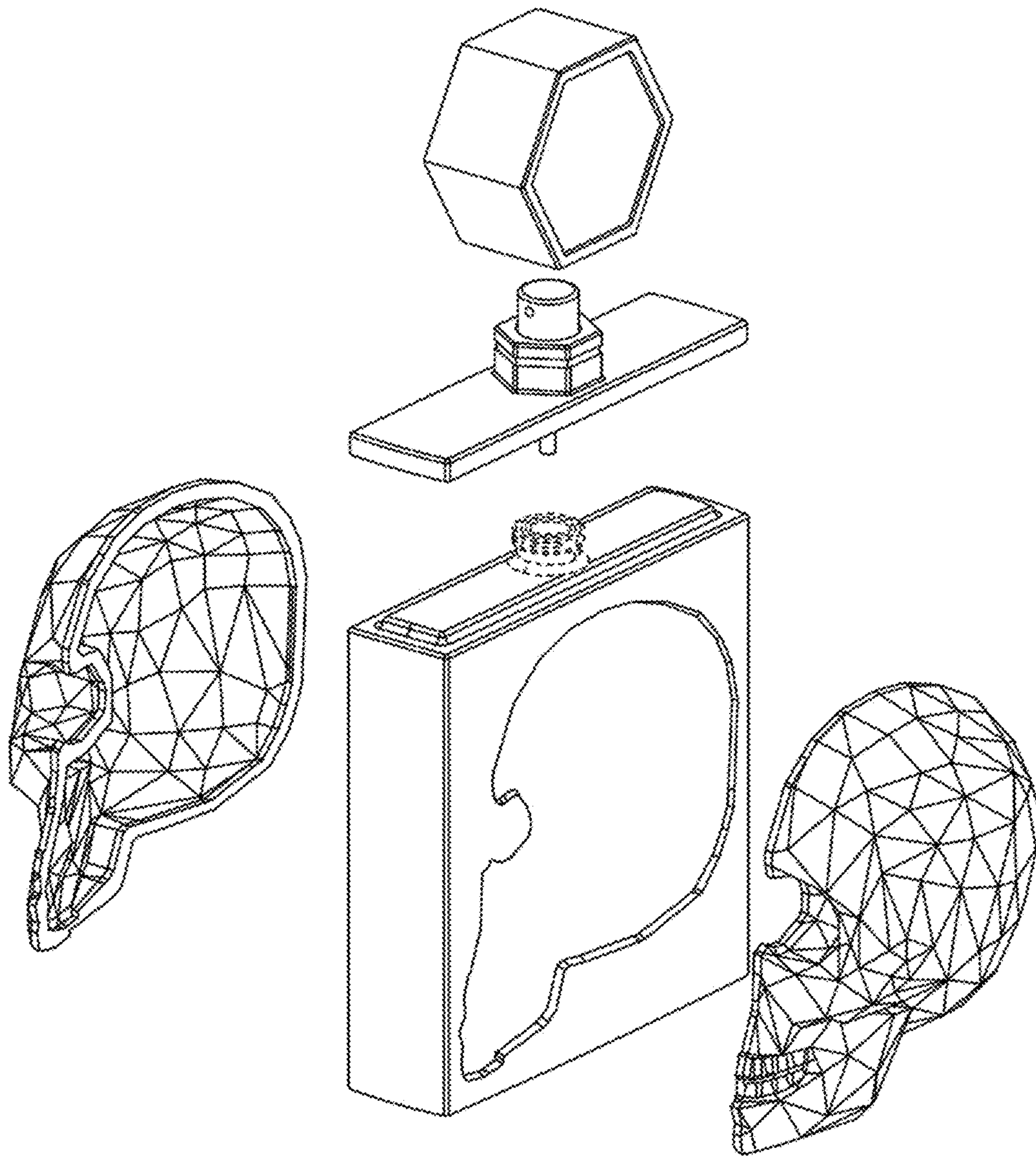


FIG. 10