



US00D981851S

(12) **United States Design Patent**
Delgado Carmona

(10) **Patent No.:** **US D981,851 S**
(45) **Date of Patent:** **** Mar. 28, 2023**

(54) **MANUAL CARRY STRAP**
(71) Applicant: **Dart Industries Inc.**, Orlando, FL (US)
(72) Inventor: **Sara L. Delgado Carmona**, Orlando, FL (US)
(73) Assignee: **Dart Industries Inc.**, Orlando, FL (US)
(**) Term: **15 Years**

3,973,293 A * 8/1976 Noorily B65D 63/1072
24/16 PB
4,168,024 A * 9/1979 D'Alo A45C 5/02
220/759
D257,426 S * 10/1980 D'Alo D9/434
D259,238 S * 5/1981 Schenck, III D8/373
D277,554 S * 2/1985 Chabot D9/434
4,817,837 A * 4/1989 Grover A63C 11/021
224/250
D315,245 S * 3/1991 Envall D3/202
5,193,254 A * 3/1993 Geisinger E05B 75/00
24/484

(21) Appl. No.: **29/757,675**

(Continued)

(22) Filed: **Nov. 9, 2020**

FOREIGN PATENT DOCUMENTS

(51) **LOC (14) Cl.** **09-07**
(52) **U.S. Cl.**
USPC **D9/455**

CA 201632 * 11/2020
CO 2021/0002473 * 11/2020

(Continued)

(58) **Field of Classification Search**
USPC D9/455; D3/202
CPC Y10T 24/1498; A44B 18/0088; A44B
18/0084; A45C 13/26; A45C 13/30; A45F
2005/008; A45F 2200/0583; A45F 5/00;
A47G 25/1457; A63B 71/085; A63C
11/021; B65D 23/104; B65D 2313/02;
B65D 25/22; B65D 25/2873; B65D 33/06
See application file for complete search history.

Primary Examiner — W. A. Teddy Falloway
Assistant Examiner — Amanda Kay Birdwell
(74) *Attorney, Agent, or Firm* — Taylor J. Ross

(57) **CLAIM**

The ornamental design for a manual carry strap, as shown and described.

DESCRIPTION

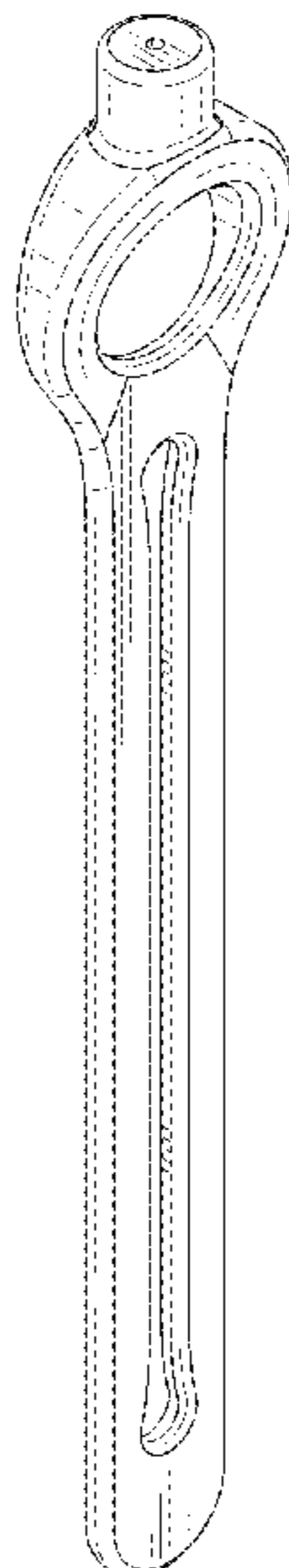
(56) **References Cited**

U.S. PATENT DOCUMENTS

661,691 A * 11/1900 Goodwin G09F 3/14
40/6
1,381,476 A * 6/1921 Lane B65D 25/32
294/169
1,718,821 A * 6/1929 Herschede A44C 5/2071
24/DIG. 43
2,254,991 A * 9/1941 Breeden H01M 50/256
294/903
2,618,503 A * 11/1952 Stevens H01M 50/256
294/903
3,171,005 A * 2/1965 Abbey H01R 41/00
200/258

FIG. 1 is a top, front and right side isometric view of a manual carry strap showing my new design;
FIG. 2 is a bottom, rear and left side isometric view thereof;
FIG. 3 is an enlarged top plan view thereof;
FIG. 4 is an enlarged bottom plan view thereof;
FIG. 5 is a front elevation view, the rear elevation being identical thereto;
FIG. 6 is a right side elevation view, the left side elevation being identical thereto; and,
FIG. 7 is a cross-sectional view thereof, taken along and in the direction of line 7-7 of FIG. 3.

1 Claim, 3 Drawing Sheets



(56)

References Cited

U.S. PATENT DOCUMENTS

D348,002 S * 6/1994 Jones D9/752
5,507,542 A * 4/1996 Eden A45F 5/1026
D9/434
5,573,152 A * 11/1996 Arnold B65D 23/003
224/249
5,620,127 A * 4/1997 MacKenzie A47G 25/1457
224/927
5,782,353 A * 7/1998 Barclay A45C 13/30
396/29
5,805,944 A * 9/1998 Barclay G03B 17/02
359/511
5,806,904 A * 9/1998 Smith B65D 23/104
215/396
D403,958 S * 1/1999 Stepek D9/434
5,915,578 A * 6/1999 Burt B65D 51/20
215/349
D413,800 S * 9/1999 Caparros D9/434
D458,800 S * 6/2002 Kotsonis D7/393
D809,285 S * 2/2018 Sola D3/202
2007/0125814 A1* 6/2007 Roh A45C 11/182
224/678
2016/0256762 A1* 9/2016 Tucker A63B 71/081
2017/0332751 A1* 11/2017 Bouganim A45C 1/04
2020/0046086 A1* 2/2020 Pope B65D 83/0894

FOREIGN PATENT DOCUMENTS

EM 008447544-0001 * 11/2020
GB 6152093 * 8/2021
ID A00202100517 * 11/2020
IN 339616-001 * 11/2020

* cited by examiner

FIG. 1

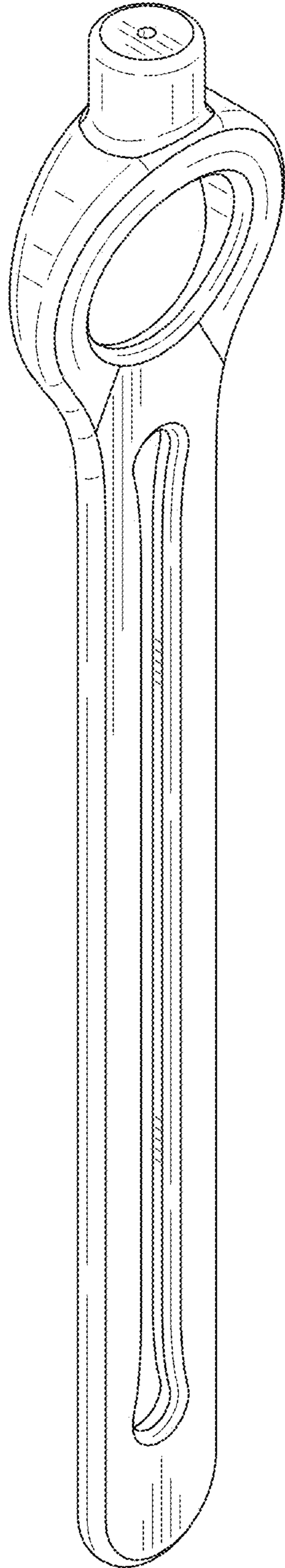


FIG. 2

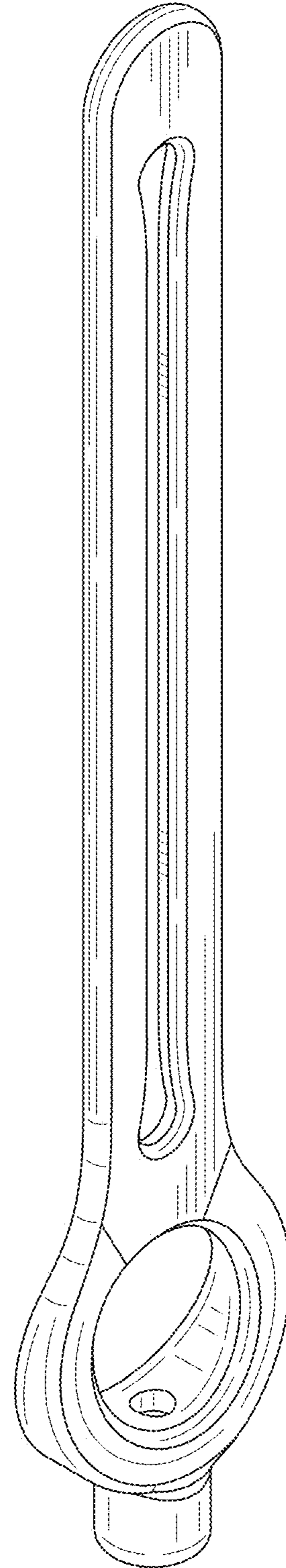


FIG. 3

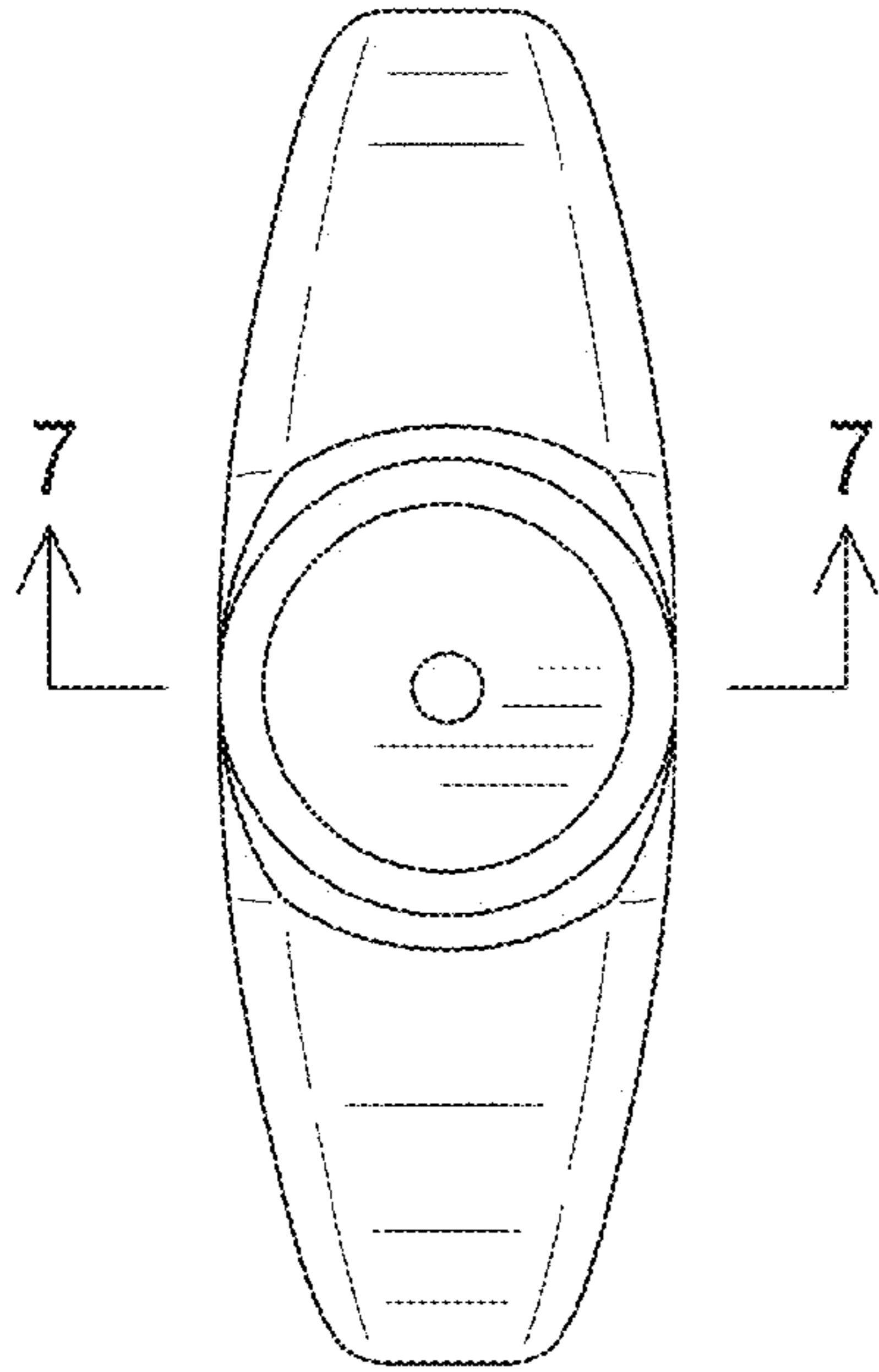


FIG. 5

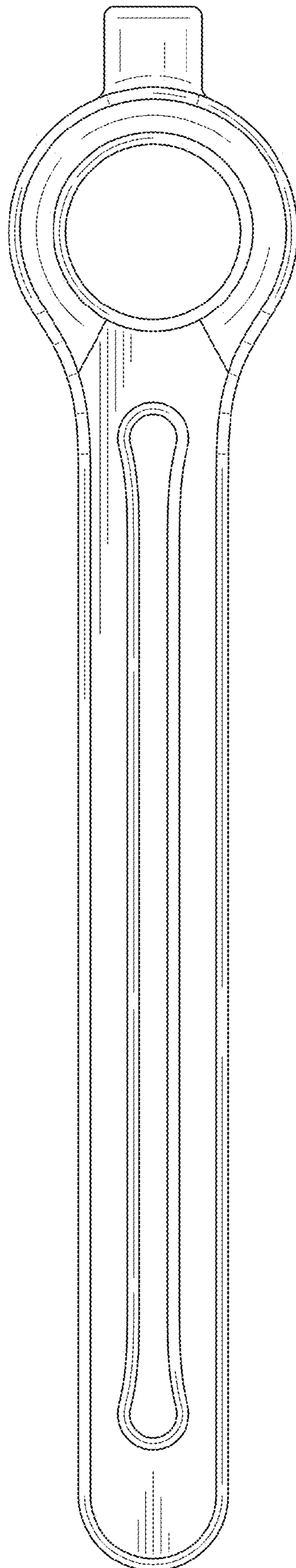


FIG. 4

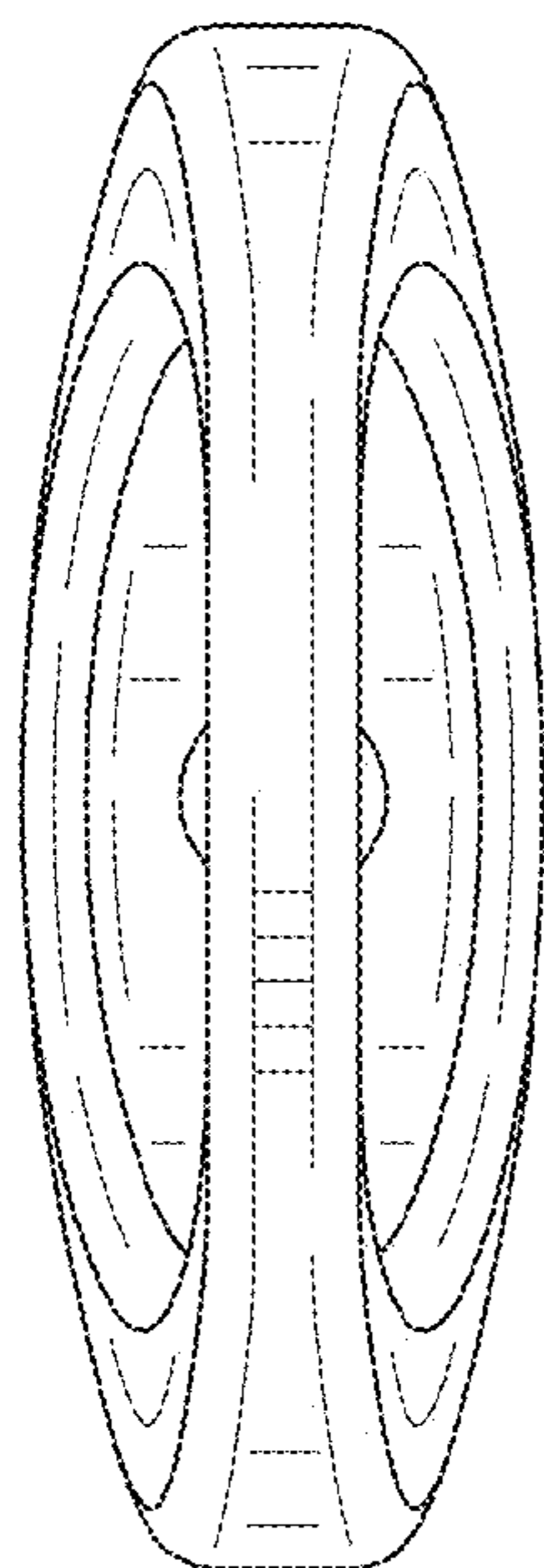


FIG. 6

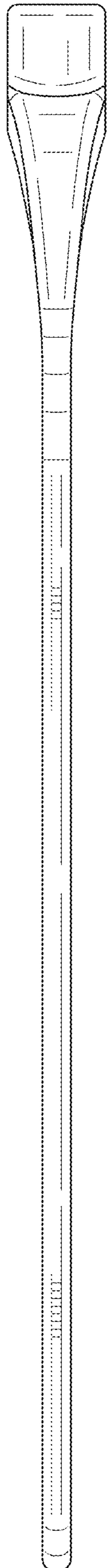


FIG. 7

