



US00D981850S

(12) **United States Design Patent** (10) **Patent No.:** **US D981,850 S**  
**Aboabdo** (45) **Date of Patent:** **\*\* Mar. 28, 2023**

- (54) **DISPENSING BOTTLE** 4,371,088 A 2/1983 Gach  
D277,736 S 2/1985 Long  
(71) Applicant: **Chubby Gorilla, Inc.**, Fullerton, CA D279,080 S 6/1985 Negishi  
(US) D280,492 S 9/1985 Greaves  
4,632,264 A 12/1986 Evans  
(72) Inventor: **Eyad Aboabdo**, Fullerton, CA (US) 4,635,806 A 1/1987 Williamson  
4,705,181 A 11/1987 Burke  
D310,969 S 10/1990 Butler  
(73) Assignee: **Chubby Gorilla, Inc.**, Fullerton, CA 5,020,681 A 6/1991 Kusz  
(US) 5,052,558 A 10/1991 Carter  
5,115,928 A 5/1992 Drummond, Jr.  
(\*\*) Term: **15 Years** 5,263,615 A 11/1993 Anderson  
5,314,085 A 5/1994 Collado Bonet  
5,324,481 A 6/1994 Dunn  
(21) Appl. No.: **29/771,117** D351,795 S \* 10/1994 Ogden ..... D9/453  
D354,914 S 1/1995 Newman  
(22) Filed: **Feb. 19, 2021** D356,597 S 3/1995 Gray  
D357,865 S 5/1995 Hansen  
D362,623 S 9/1995 Ma  
5,462,200 A 10/1995 Weiler  
D368,425 S 4/1996 Newell  
5,543,115 A 8/1996 Karakawa  
5,676,268 A 10/1997 King  
D405,371 S 2/1999 Herr  
D411,109 S 6/1999 Suto  
D412,107 S 7/1999 Bosshardt  
D416,793 S 11/1999 Faughey  
6,202,869 B1 3/2001 Sullivan  
D451,396 S 12/2001 Johnson  
6,334,557 B1 1/2002 Yang  
D491,469 S 6/2004 Horie  
7,051,906 B2 5/2006 Kis  
D524,037 S 7/2006 Van Horn  
7,178,703 B2 2/2007 Spada  
D548,081 S \* 8/2007 Noonan ..... D9/453  
D551,569 S 9/2007 Tanaka  
7,334,694 B2 2/2008 Suffa  
D564,357 S 3/2008 Kapoor  
D592,057 S \* 5/2009 Guerin ..... D9/449  
7,563,256 B2 7/2009 Hearne  
D597,417 S 8/2009 Whittaker  
D601,908 S 10/2009 Yun  
D603,710 S 11/2009 Wilson  
D610,456 S \* 2/2010 Rognard ..... D9/449  
D611,346 S 3/2010 Camomile  
7,677,417 B2 3/2010 Leiner  
D617,193 S \* 6/2010 Casey ..... D9/453  
D651,921 S 1/2012 Probst  
D653,950 S 2/2012 Ishizawa  
D673,043 S \* 12/2012 Antier ..... D9/449  
D675,096 S \* 1/2013 Obrist ..... D9/453  
8,444,610 B2 5/2013 Grevin  
8,633,016 B2 1/2014 Parker

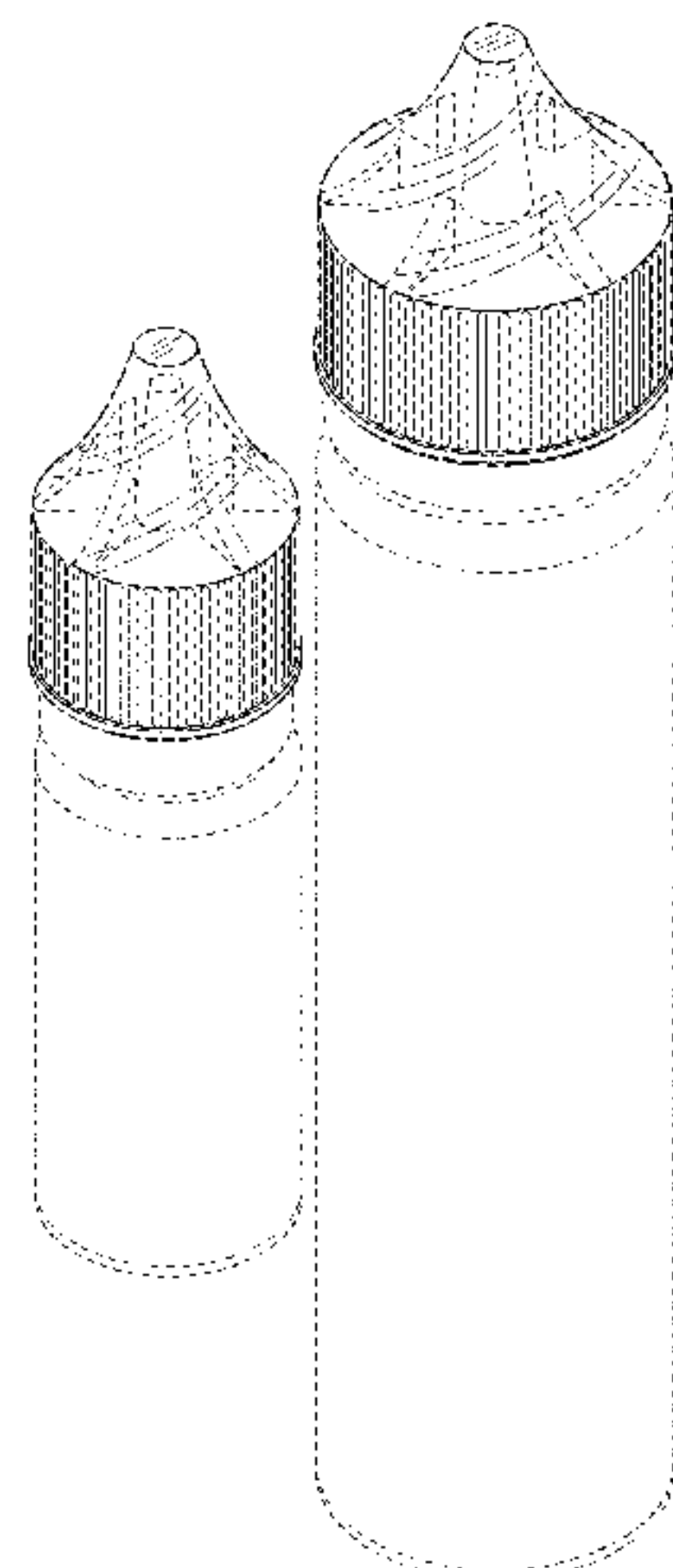
**Related U.S. Application Data**

- (63) Continuation of application No. 29/660,584, filed on Aug. 21, 2018, now Pat. No. Des. 911,188, which is a continuation of application No. 29/584,247, filed on Nov. 13, 2016, now Pat. No. Des. 826,068.  
(51) **LOC (14) Cl.** ..... **09-01**  
(52) **U.S. Cl.**  
USPC ..... **D9/453**  
(58) **Field of Classification Search**  
USPC ..... D9/453, 516, 529, 549, 550, 556, 558, D9/571, 723-727; D24/100, 108, 115; D28/4, 7, 9, 73, 76, 85  
CPC ..... A45D 34/04; A45D 34/042; A45D 40/00; A45D 40/26; A45D 40/262; B65D 1/023; B65D 47/18; B65D 41/02; B65D 2203/00  
See application file for complete search history.

(56) **References Cited**

**U.S. PATENT DOCUMENTS**

- D199,545 S 11/1964 Torongo  
3,398,848 A 8/1968 Donovan  
D221,132 S 7/1971 Schiavone  
D251,203 S 2/1979 Williamson  
D259,172 S 5/1981 Ross  
D264,938 S 6/1982 Stock  
D264,939 S 6/1982 Stock  
D264,940 S 6/1982 Stock  
D264,941 S 6/1982 Stock



8,673,242	B2	3/2014	Shick	
D704,052	S	5/2014	Yoshii	
D705,070	S	5/2014	Zheng	
D732,400	S	6/2015	Hua	
D732,506	S	6/2015	Hua	
D732,975	S	6/2015	Hua	
9,045,265	B2	6/2015	Adamczak	
D742,019	S	10/2015	Montgomery	
D763,078	S *	8/2016	Roy .....	D9/434
D768,506	S	10/2016	Hua	
D775,953	S *	1/2017	Ruthe-Steinsiek .....	D19/194
D826,068	S	8/2018	Aboabdo	
D834,950	S	12/2018	Aboabdo	
D855,476	S	8/2019	Aboabdo	
D860,004	S	9/2019	Aboabdo	
2003/0211616	A1	11/2003	Leong	
2004/0182814	A1	9/2004	Suffa	
2005/0159715	A1	7/2005	Kusu	
2005/0211734	A1	9/2005	Spada	
2006/0111680	A1	5/2006	Spada	
2007/0042454	A1	2/2007	Nix	
2010/0167271	A1	7/2010	Ryan	
2011/0281342	A1	11/2011	Porsch	
2017/0057710	A1	3/2017	Greiner-Perth	

FOREIGN PATENT DOCUMENTS

JP	1362412	6/2009
JP	1429123	12/2011
TW	D113730	11/2006
TW	D148448	8/2012

OTHER PUBLICATIONS

Specimen filed Jul. 3, 2016 in U.S. Trademark Application No. 87/092,186.

Chubby Gorilla, <https://chubbygorilla.com/> dated as available on Jul. 3, 2016 by the Wayback Machine accessed on May 11, 2020. Cycles Of Use PET dropper Bottle Unicorn Dropper bottle, posted at amazon.com, dated as posted Jun. 11, 2017, dated as © 1996-2017, Amazon.com [online], [dated as site visited Sep. 20, 2017]. Available from Internet, URL:[https://www.amazon.com/dropper-Unicorn-Dropper-applicator-dispensor/dp/B071SGRSPX/ref=sr\\_1\\_18\\_sep?le=UTF8&qid=1505927843&sr=8-18-spons&keywords=chubby+gorilla+unic](https://www.amazon.com/dropper-Unicorn-Dropper-applicator-dispensor/dp/B071SGRSPX/ref=sr_1_18_sep?le=UTF8&qid=1505927843&sr=8-18-spons&keywords=chubby+gorilla+unic).

Chubby Gorilla PET Bottles (3-Pack), posted at amazon.com, dated as posted Jan. 31, 2017, dated as © 1996-2017. Amazon.com. [online], [dated as site visited Sep. 20, 2017]. Available from Internet, URL [https://www.amazon.com/Chubby-Gorilla-Bottles-3-Pack-Transparent/dp/B071HCL64L/ref=pd\\_sbs\\_201\\_1?\\_encoding=UTF8&pd\\_rd\\_1=B071HCL64L&pd\\_rd\\_rd\\_r=EE8F90ZD7DBOEXF5PEVF&pd\\_rd\\_w=olTEN&pd\\_rd\\_wg=ko](https://www.amazon.com/Chubby-Gorilla-Bottles-3-Pack-Transparent/dp/B071HCL64L/ref=pd_sbs_201_1?_encoding=UTF8&pd_rd_1=B071HCL64L&pd_rd_rd_r=EE8F90ZD7DBOEXF5PEVF&pd_rd_w=olTEN&pd_rd_wg=ko).

Chubby Gorilla Unicorn Bottles, dated as announced Sep. 30, 2016, [online], dated as site visited Sep. 3, 2020. Available from internet, URL: <http://www.amazon.com> (dated as Year: 2016).

Huizhu Dropper Bottles, dated as announced Feb. 8, 2017, [online], dated as site visited Sep. 3, 2020. Available from Internet, URL: <http://www.amazon.com> (dated as Year: 2017).

\* cited by examiner

Primary Examiner — Janice Patyk

(74) *Attorney, Agent, or Firm* — Knobbe, Martens, Olson & Bear, LLP

(57) **CLAIM**

The ornamental design for a dispensing bottle, as shown and described.

**DESCRIPTION**

FIG. 1 is a perspective view of a first embodiment, of a dispensing bottle, according to the present invention.

FIG. 2 is an elevation view thereof.

FIG. 3 is a top plan view thereof.

FIG. 4 is a bottom plan view thereof.

FIG. 5 is an exploded view thereof.

FIG. 6 is another exploded elevation view thereof.

FIG. 7 is an elevation view of the outer cap thereof, shown without the bottle for ease of illustration.

FIG. 8 is a top plan view of the outer cap thereof, shown without the bottle for ease of illustration.

FIG. 9 is a bottom plan view of the outer cap thereof, shown without the bottle for ease of illustration.

FIG. 10 is an elevation view of the inner cap thereof, shown without the bottle for ease of illustration.

FIG. 11 is a top plan view of the inner cap thereof, shown without the bottle for ease of illustration.

FIG. 12 is a bottom plan view of the inner cap thereof, shown without the bottle for ease of illustration.

FIG. 13 is a perspective view of a second embodiment, of a dispensing bottle, according to the present invention.

FIG. 14 is an elevation view thereof.

FIG. 15 is a top plan view thereof.

FIG. 16 is a bottom plan view thereof.

FIG. 17 is an exploded elevation view thereof.

FIG. 18 is another exploded elevation view thereof.

FIG. 19 is an elevation view of the outer cap thereof, shown without the bottle for ease of illustration.

FIG. 20 is a top plan view of the outer cap thereof, shown without the bottle for ease of illustration.

FIG. 21 is a bottom plan view of the outer cap thereof, shown without the bottle for ease of illustration.

FIG. 22 is an elevation view of the inner cap thereof, shown without the bottle for ease of illustration.

FIG. 23 is a top plan view of the inner cap thereof, shown without the bottle for ease of illustration; and,

FIG. 24 is a bottom plan view of the inner cap thereof, shown without the bottle for ease of illustration.

The broken lines in the figures illustrate the portions of the designs that form no part of the claimed design.

The broken lines of FIGS. 6 and 18 are included to show the relationship of the bottle, outer cap, and inner cap only, and form no part of the claimed design.

**1 Claim, 10 Drawing Sheets**



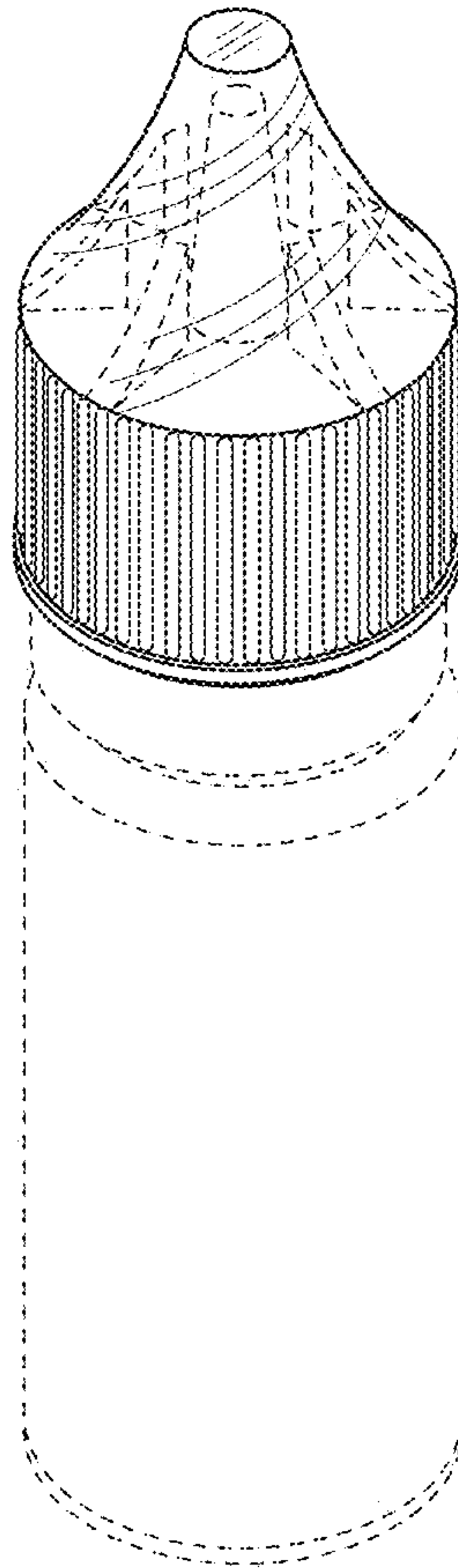


FIG. 1

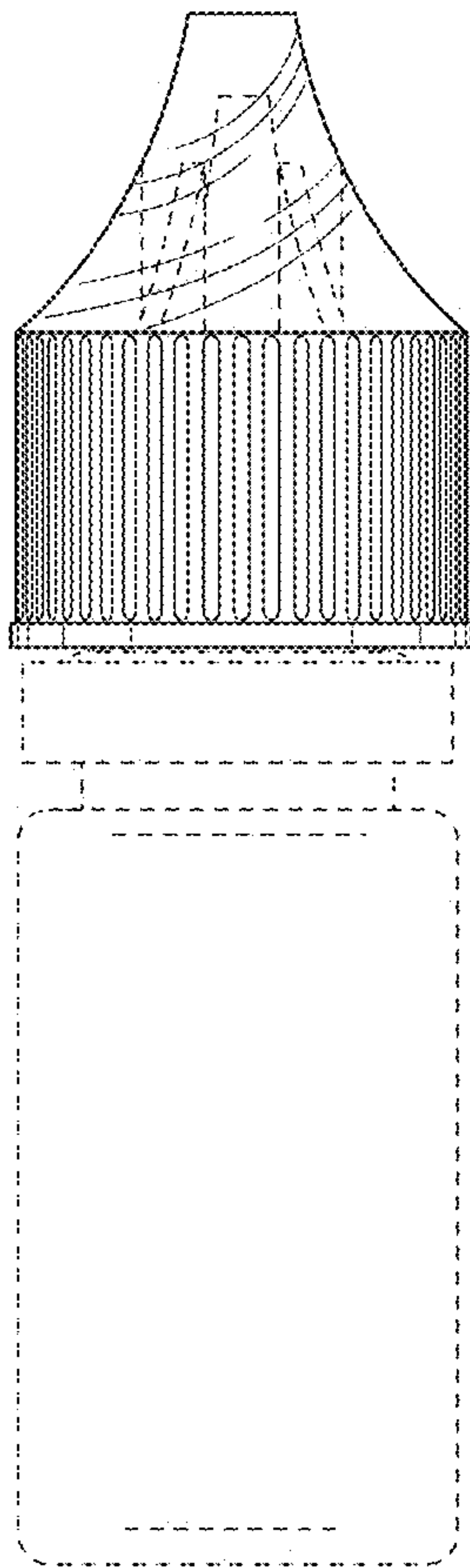


FIG. 2

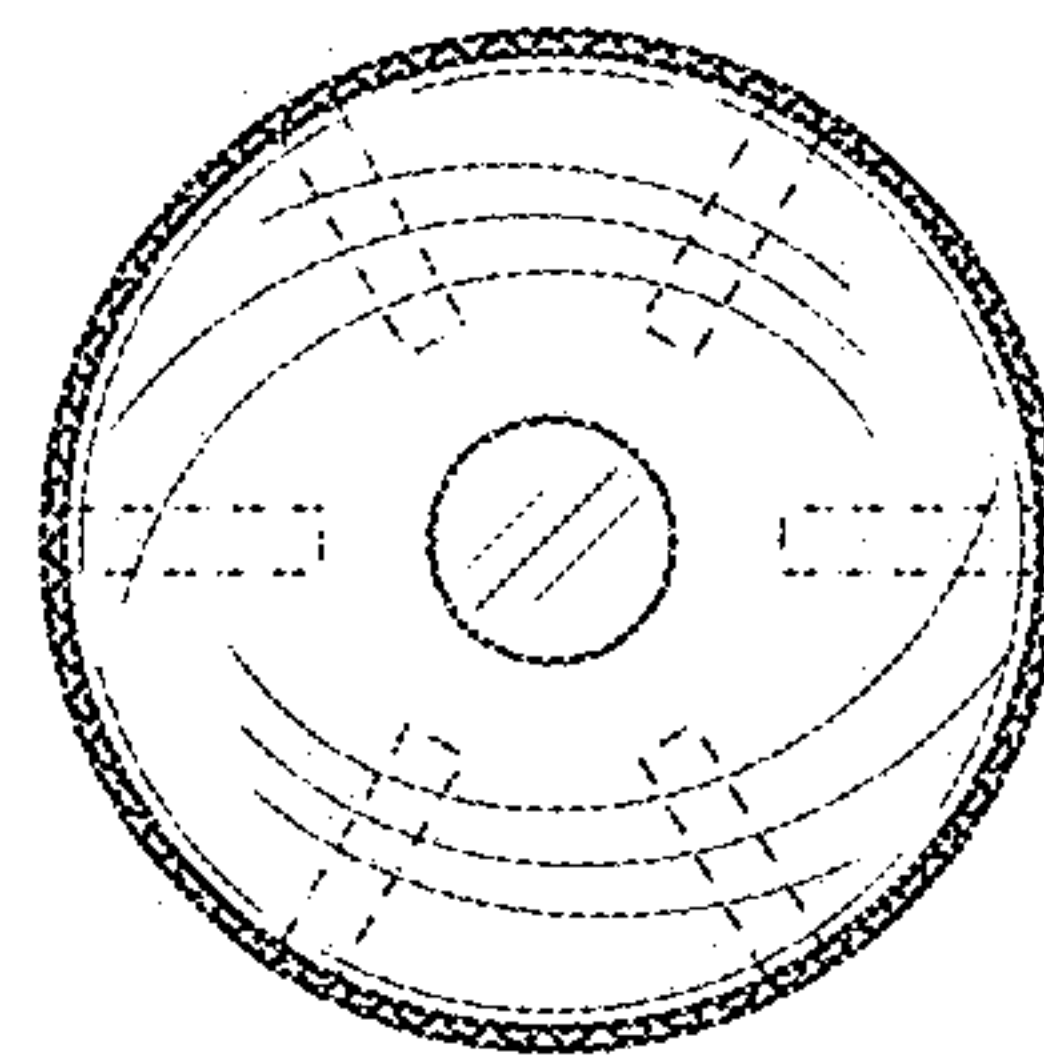


FIG. 3

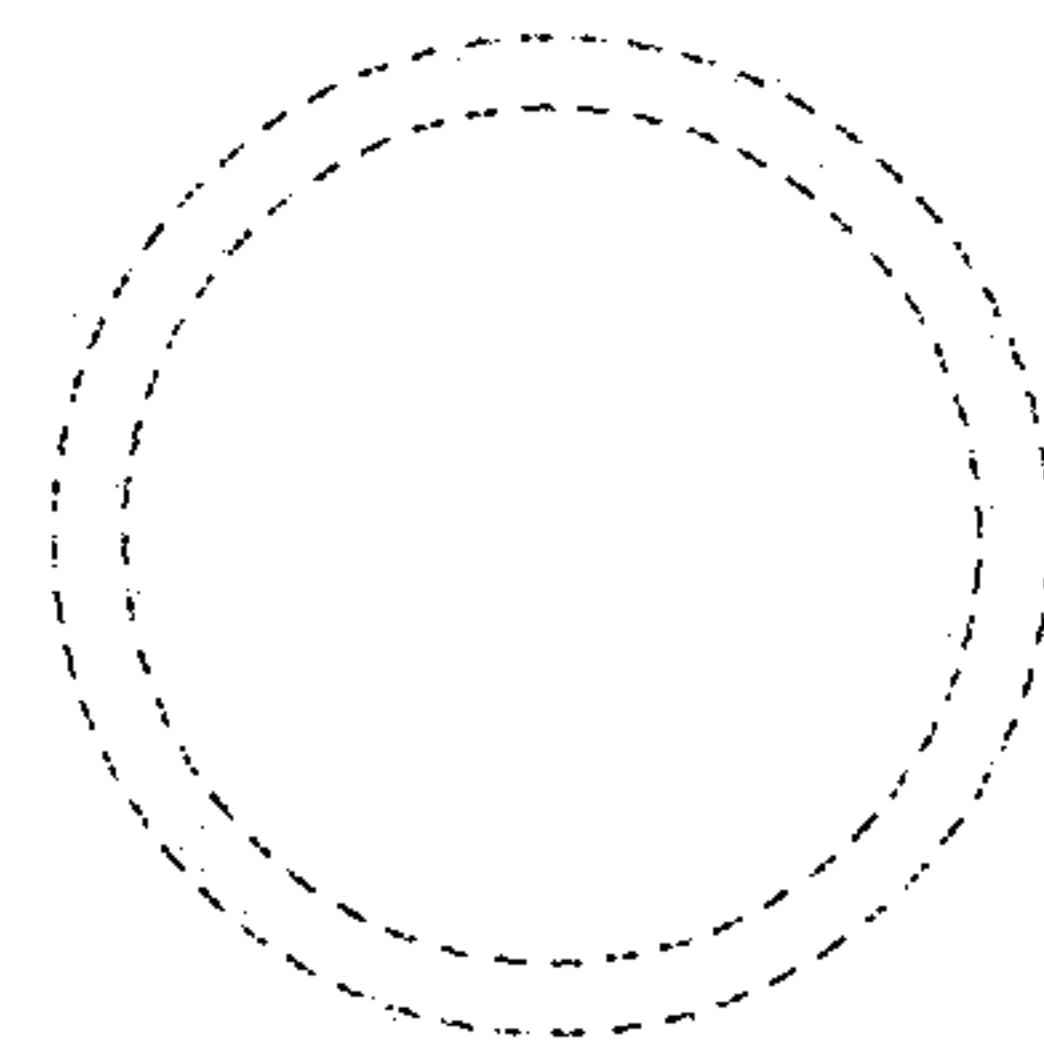


FIG. 4

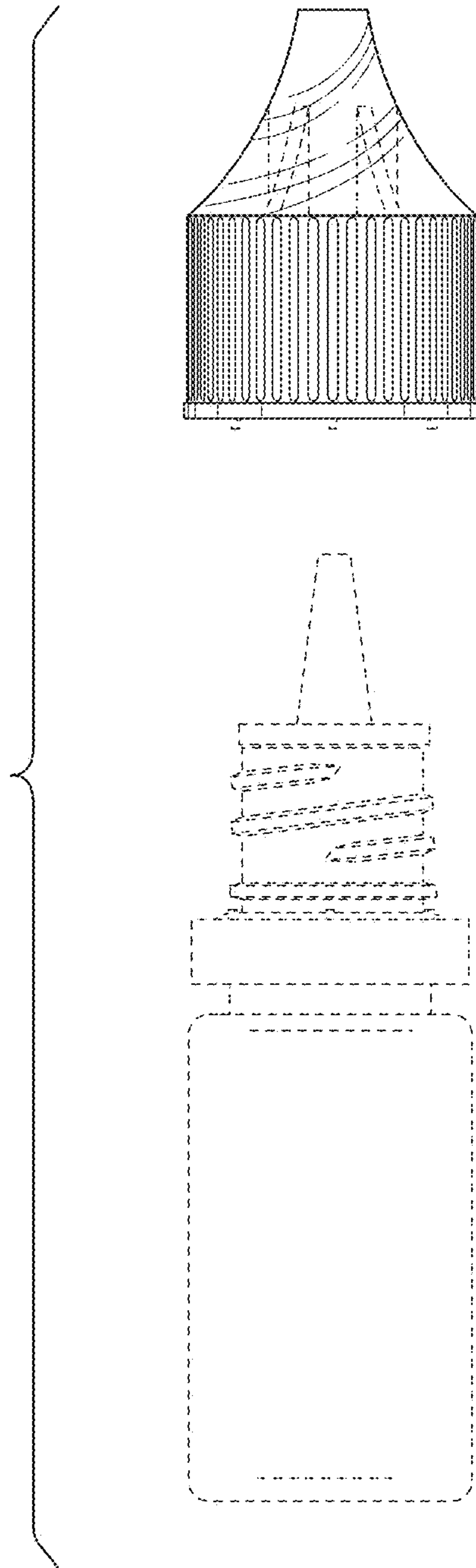


FIG. 5

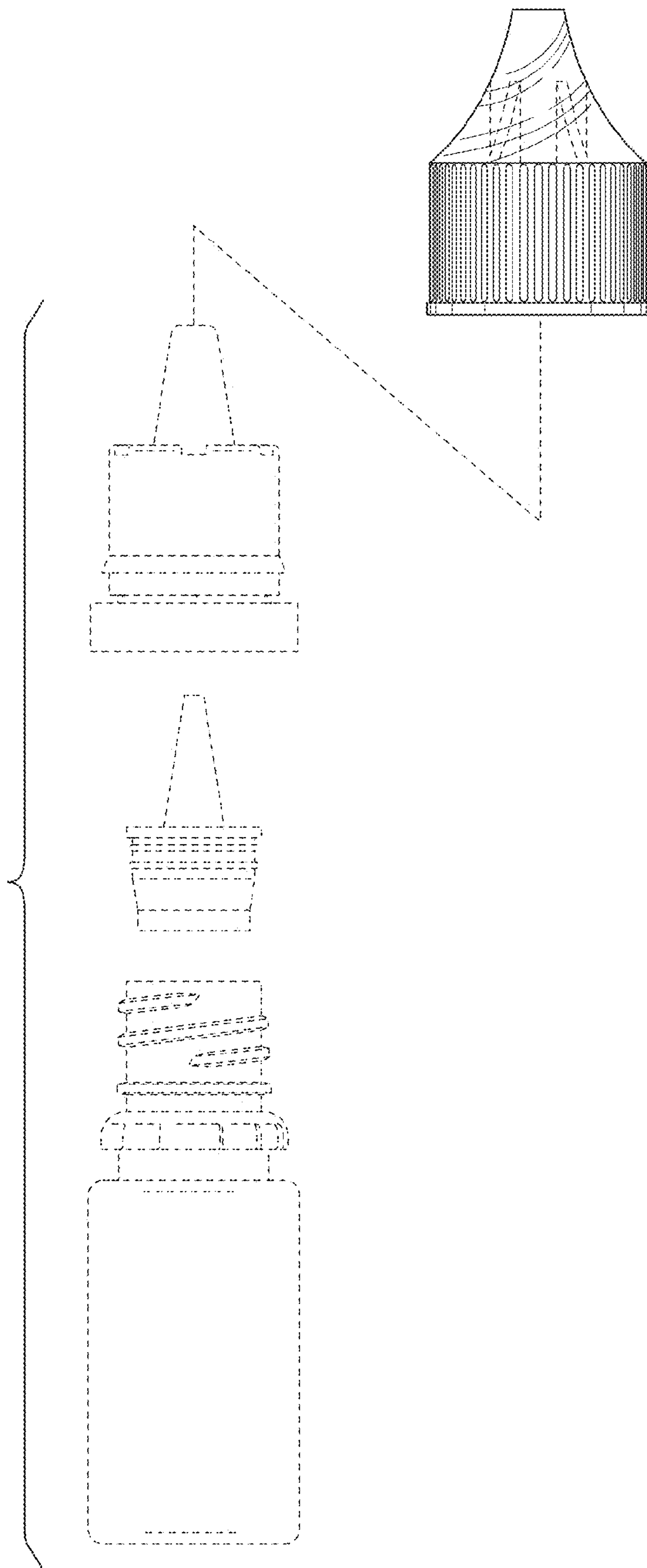


FIG. 6

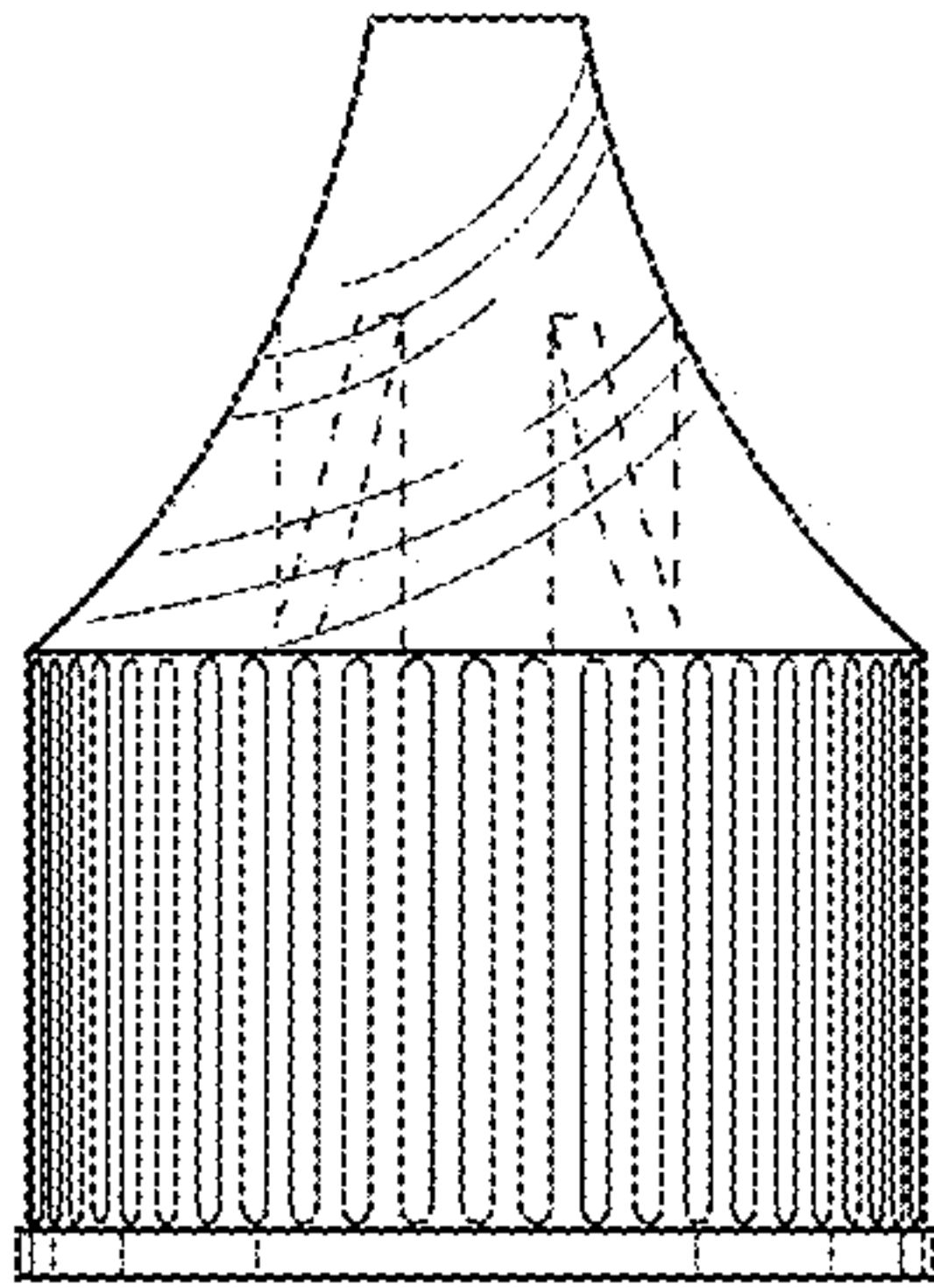


FIG. 7

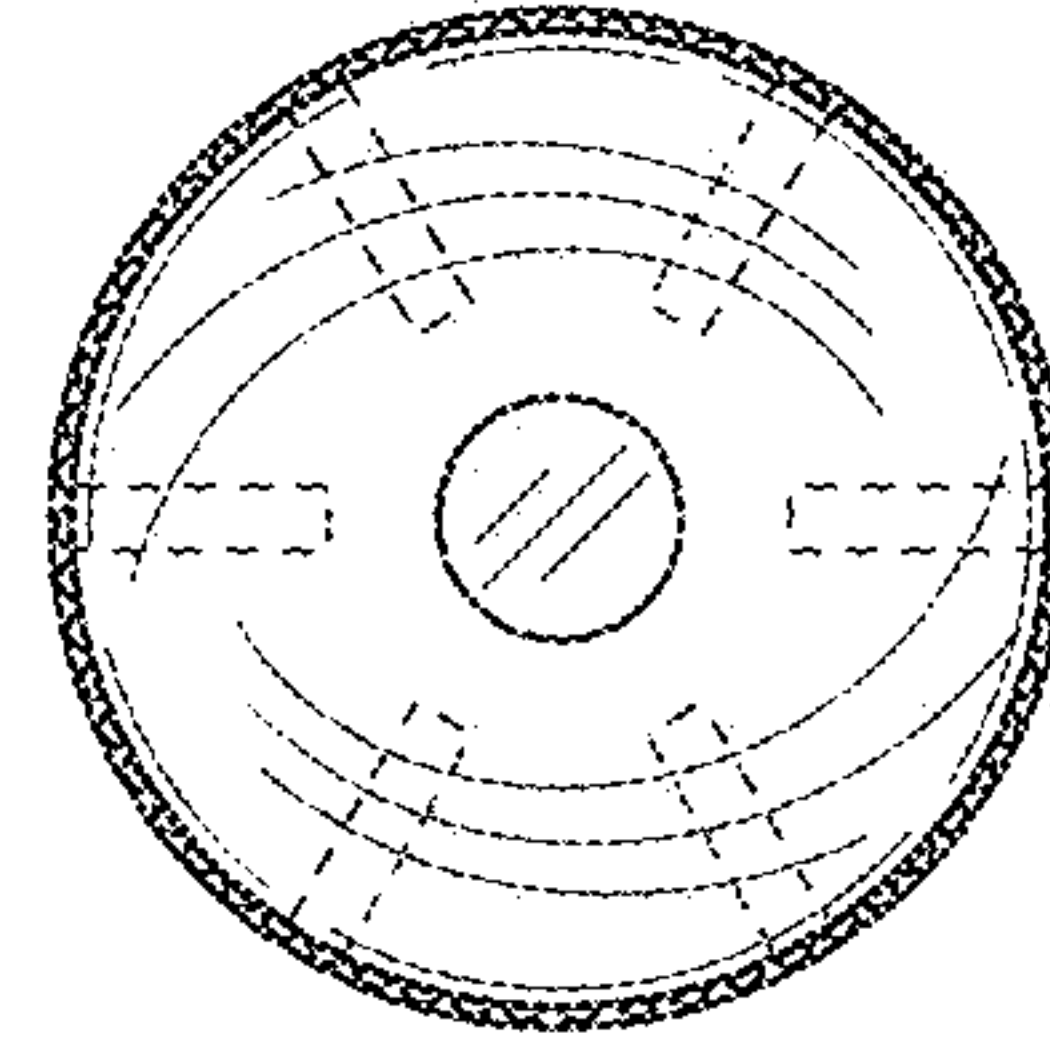


FIG. 8

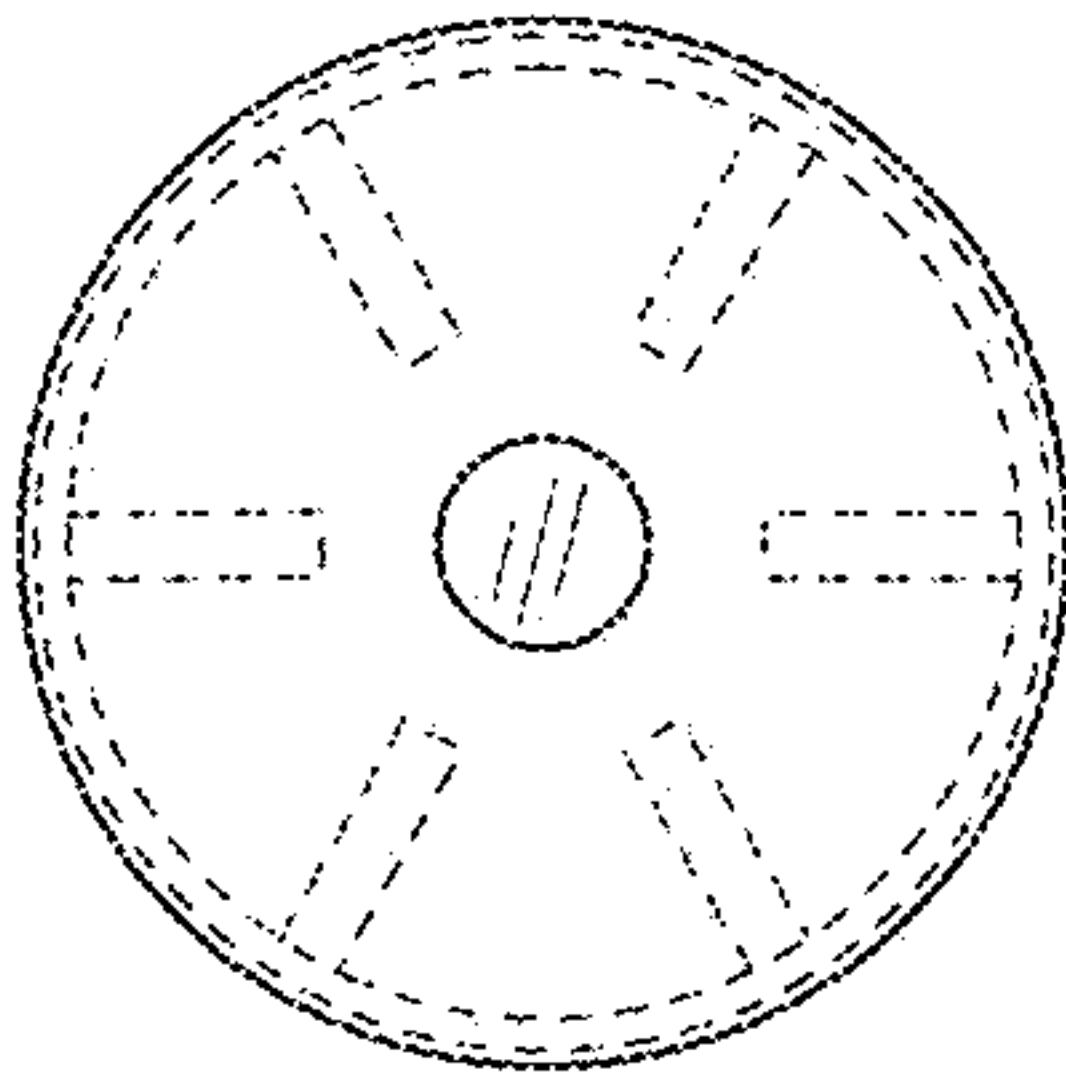


FIG. 9

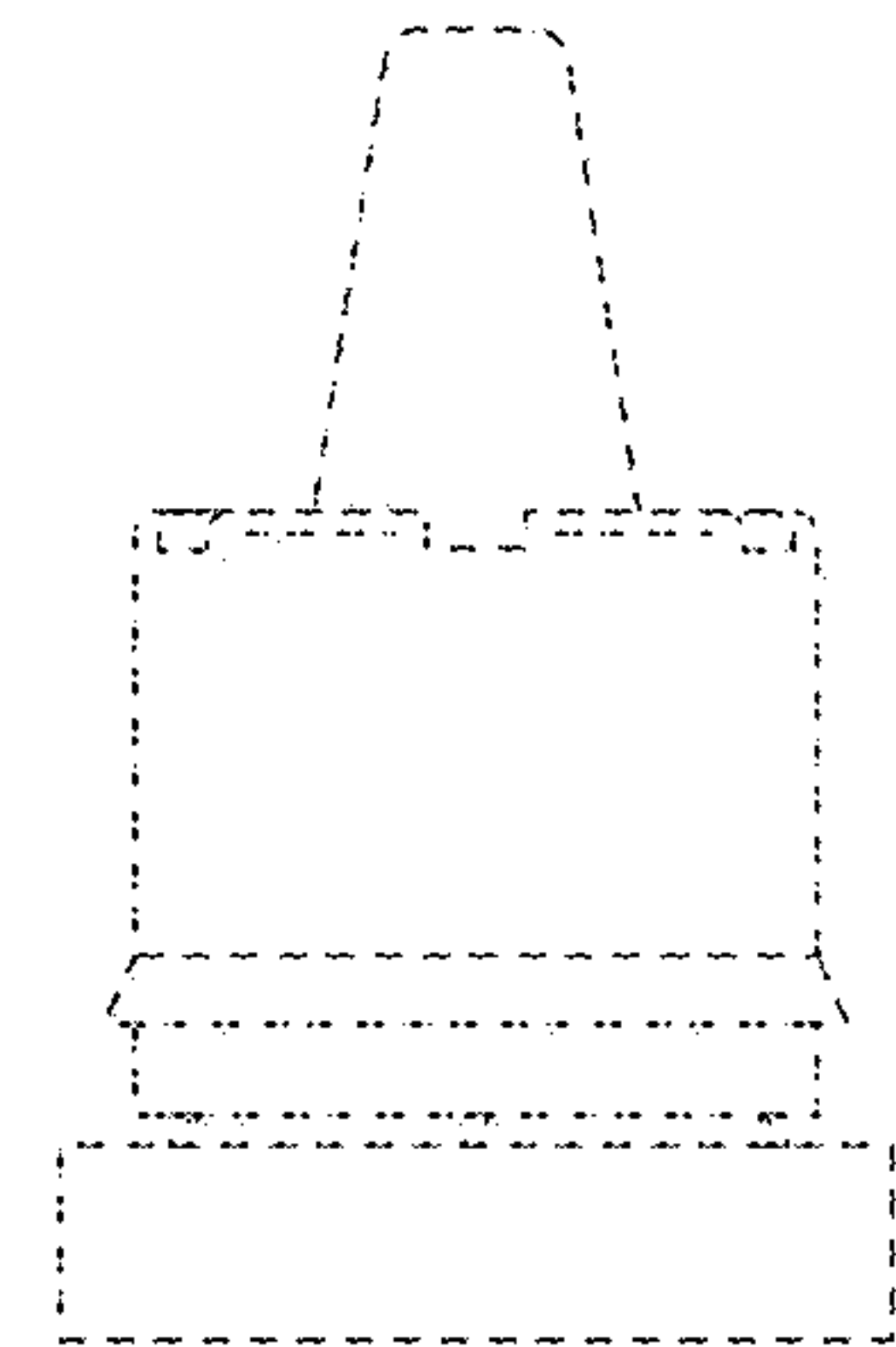


FIG. 10

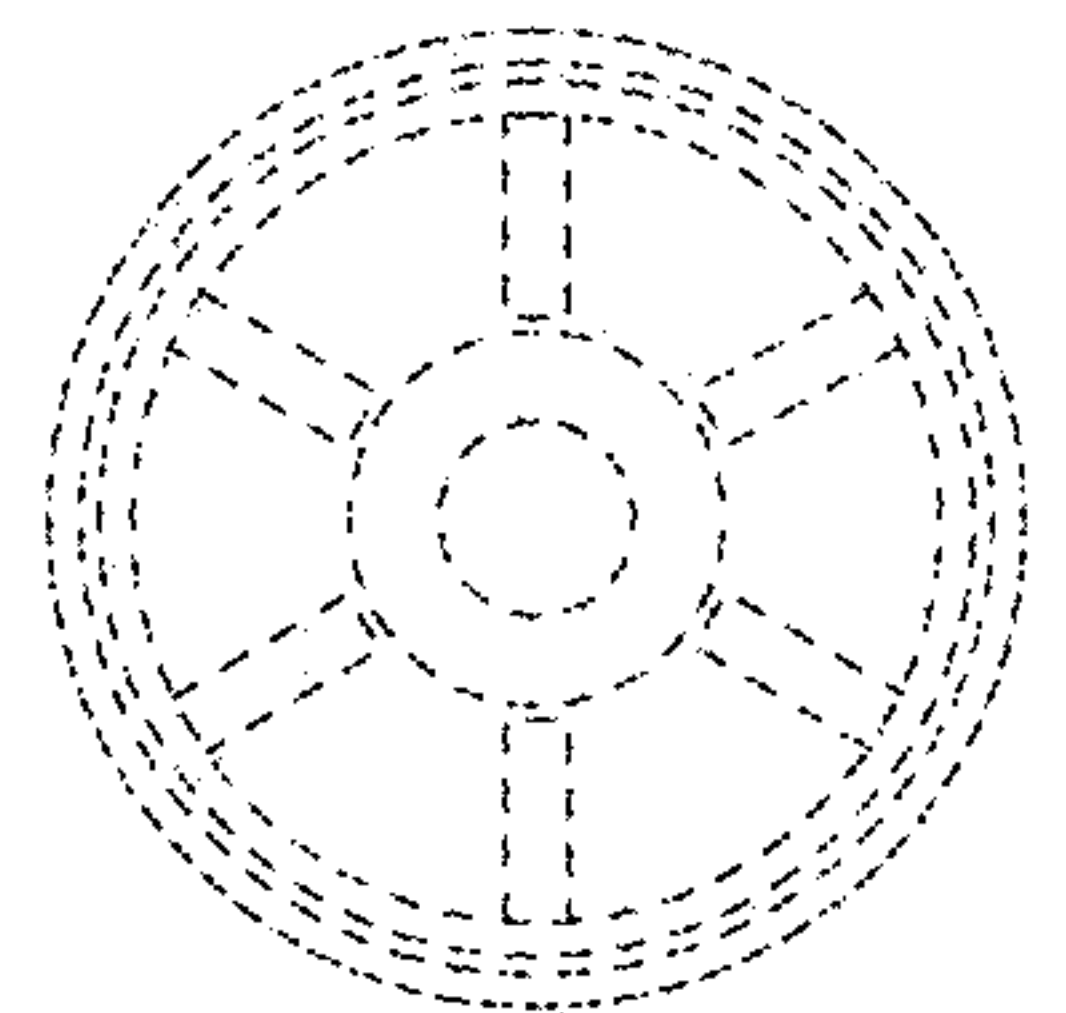


FIG. 11

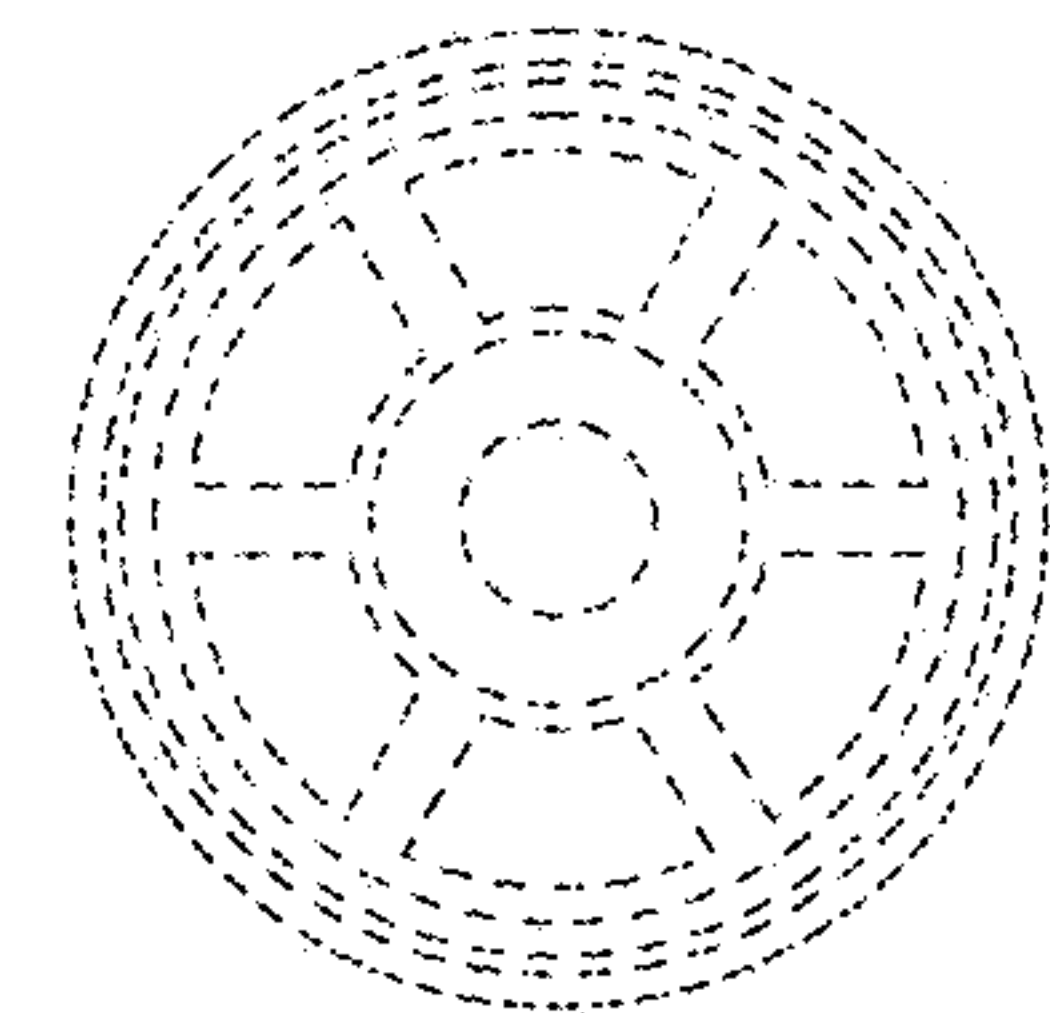


FIG. 12

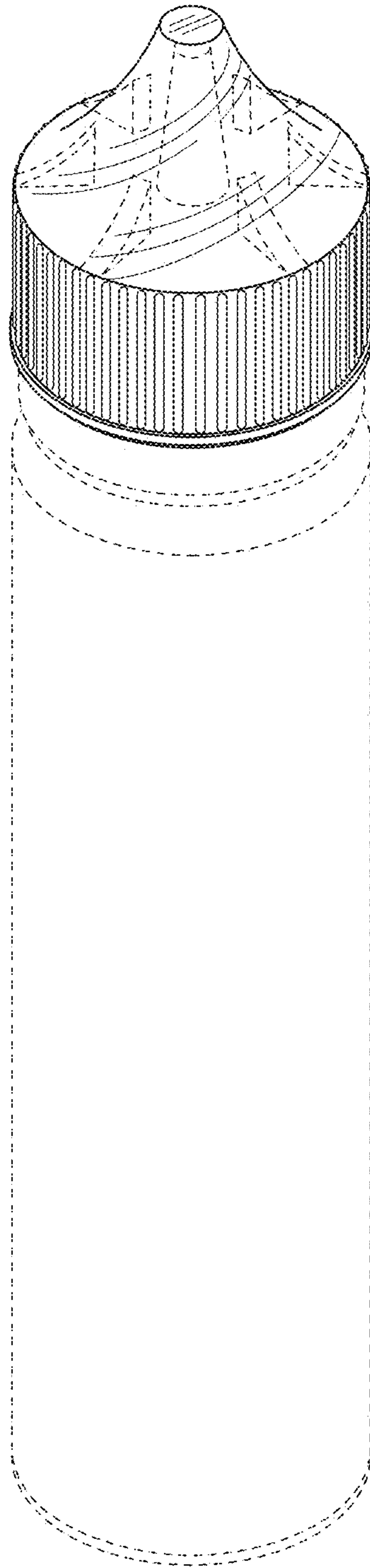


FIG. 13



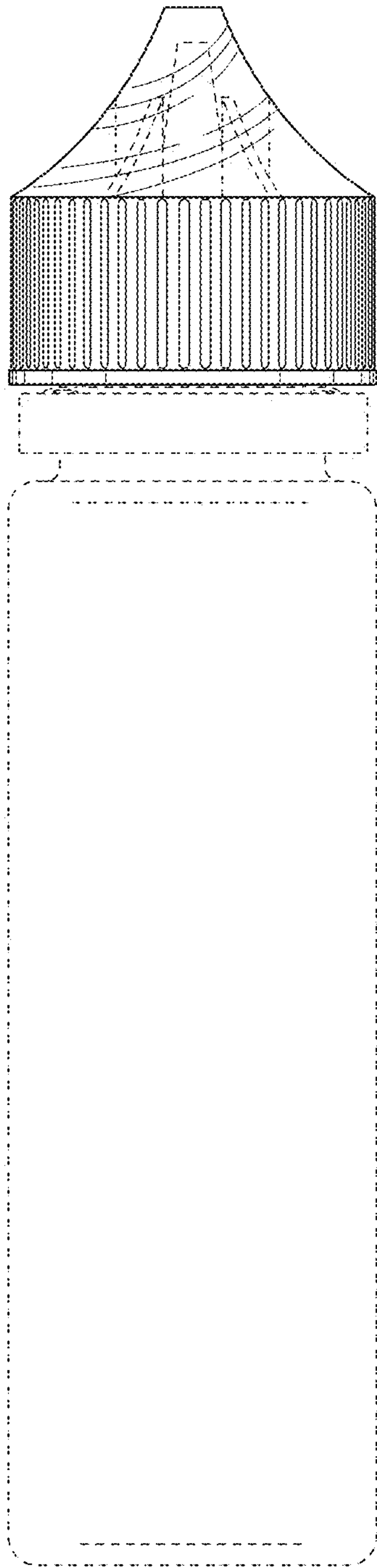


FIG. 14

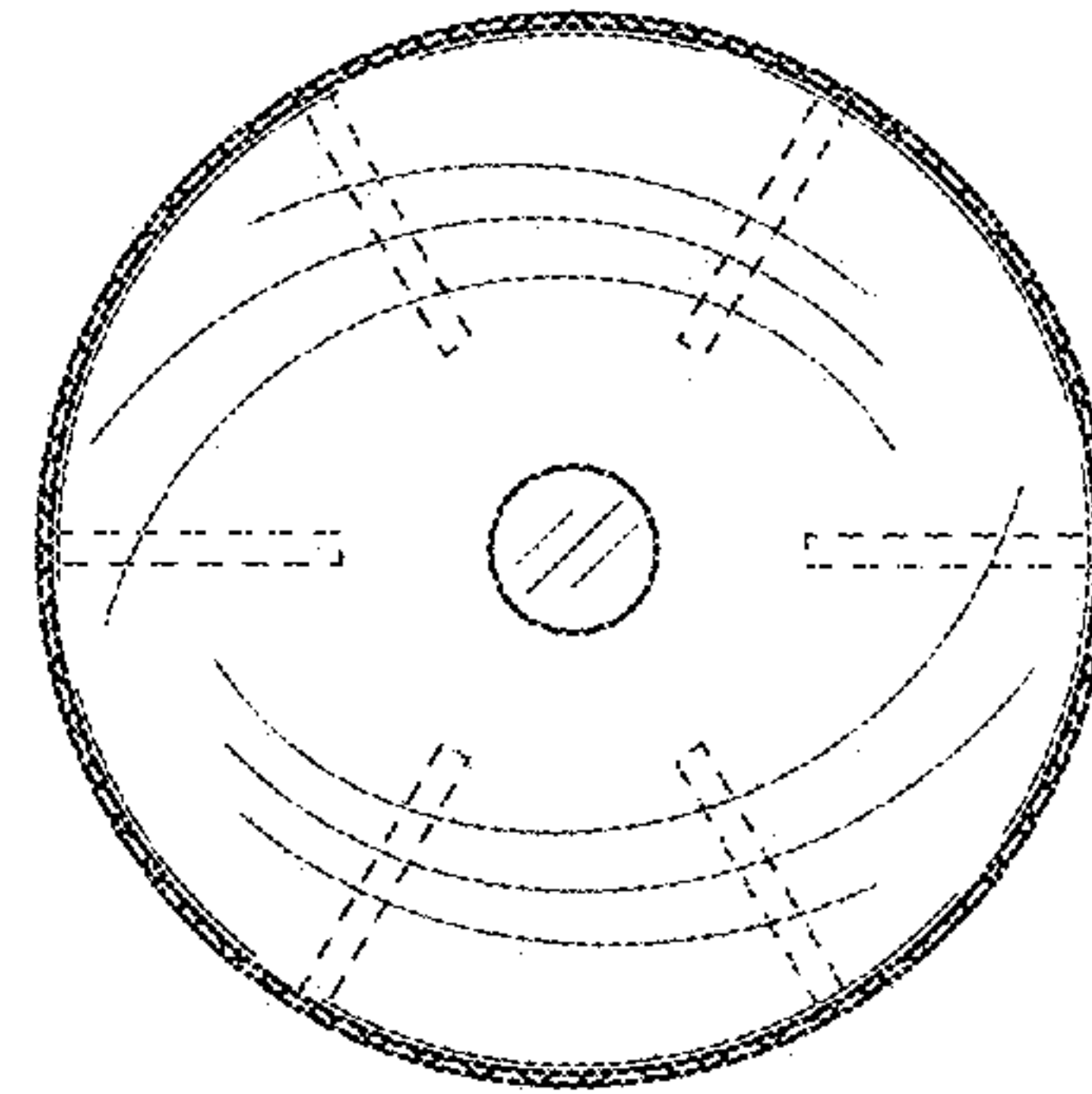


FIG. 15

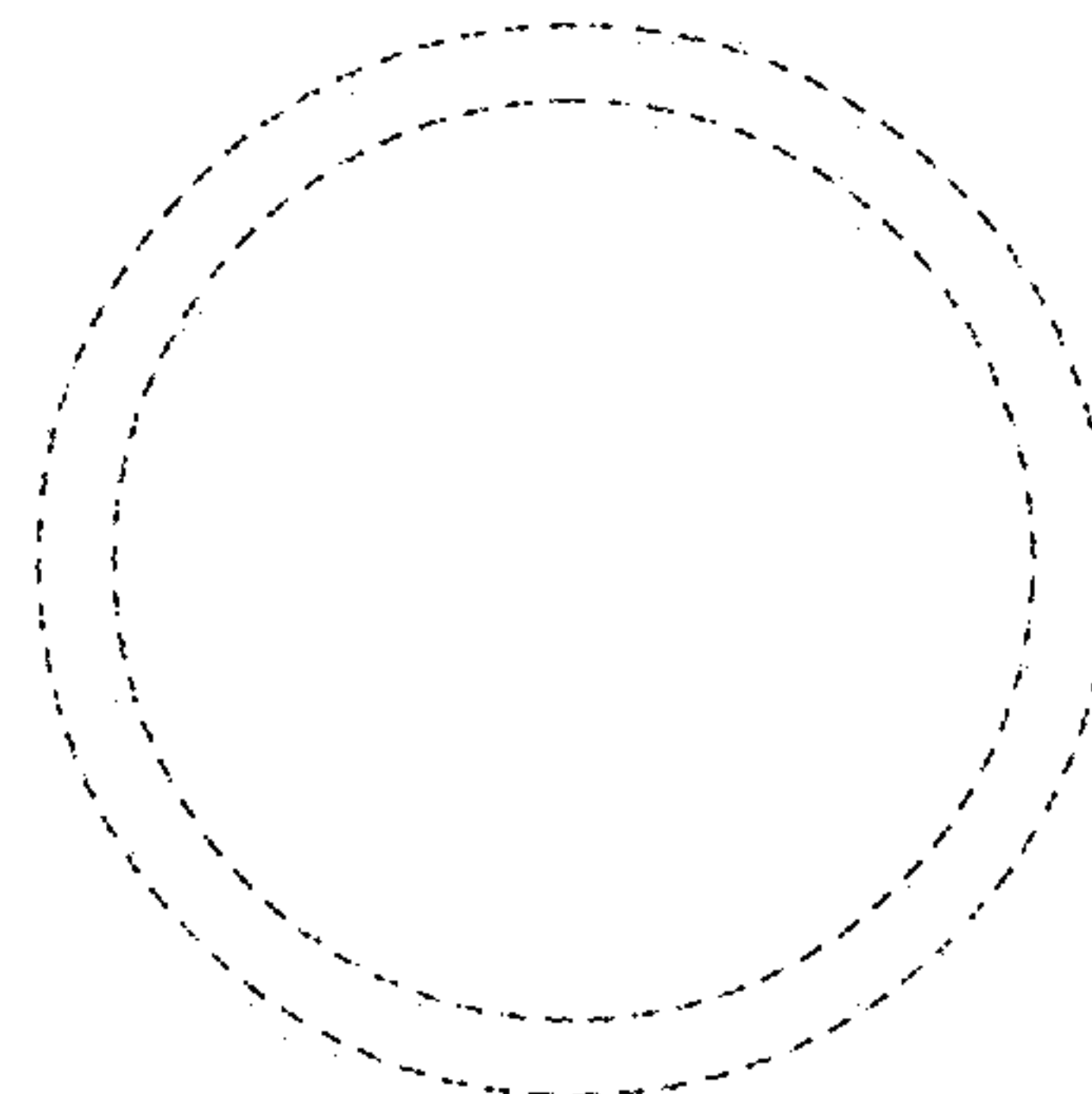


FIG. 16

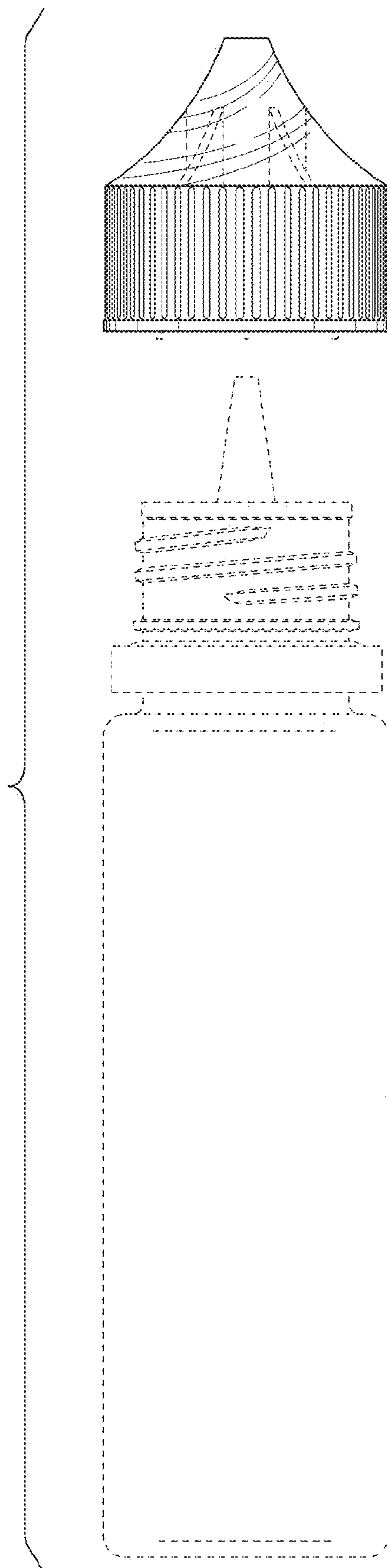


FIG. 17

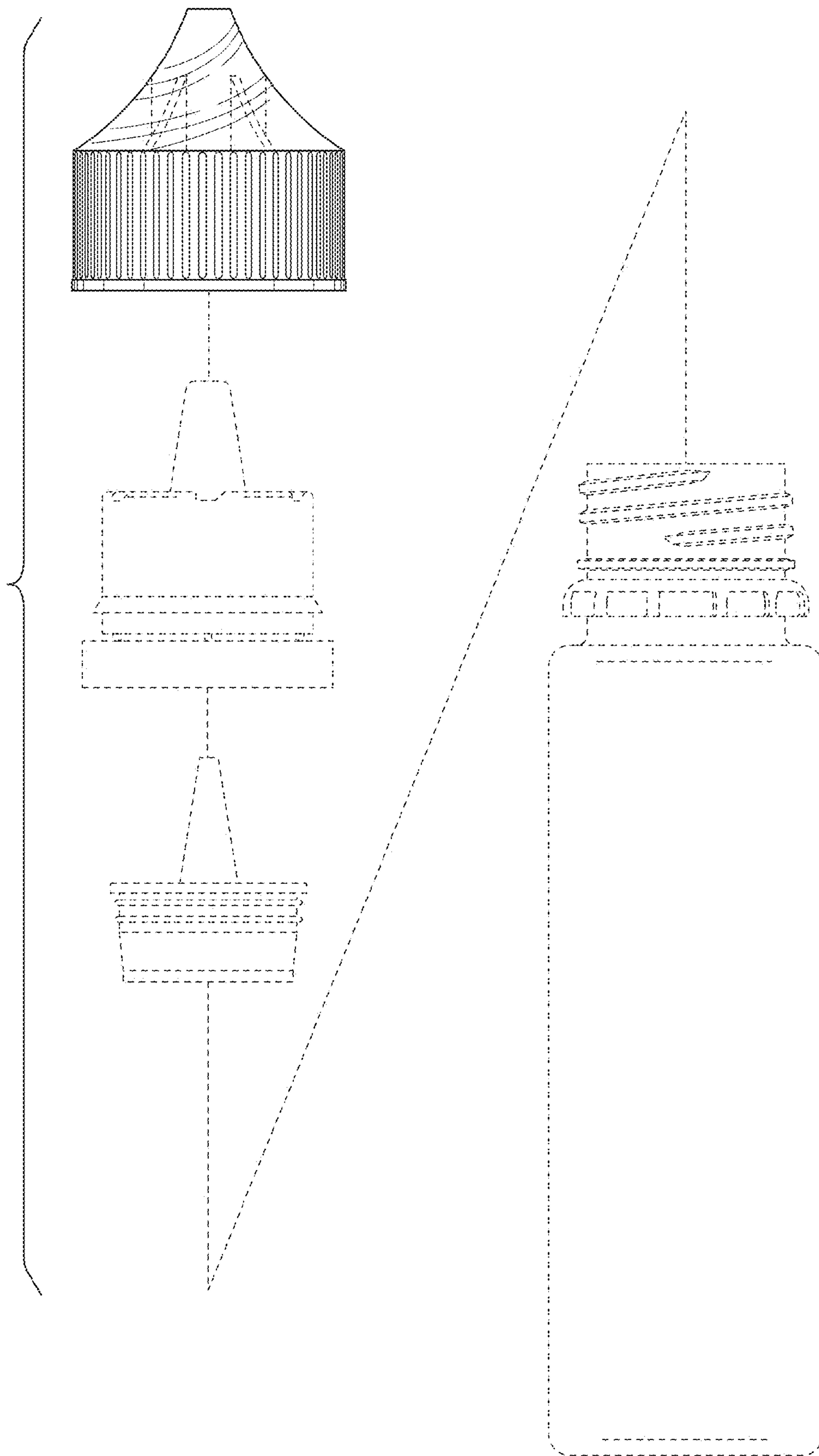


FIG. 18

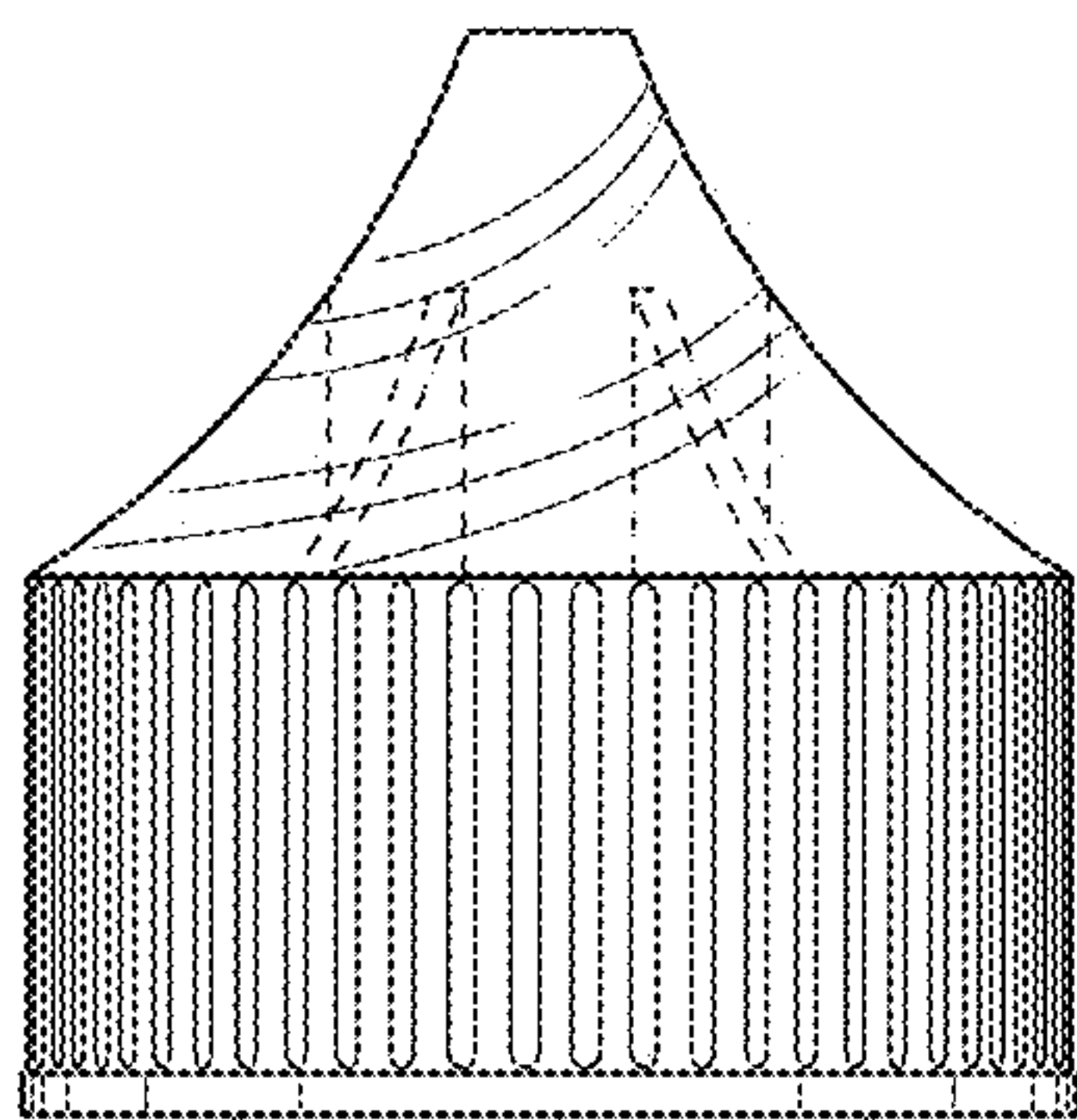


FIG. 19

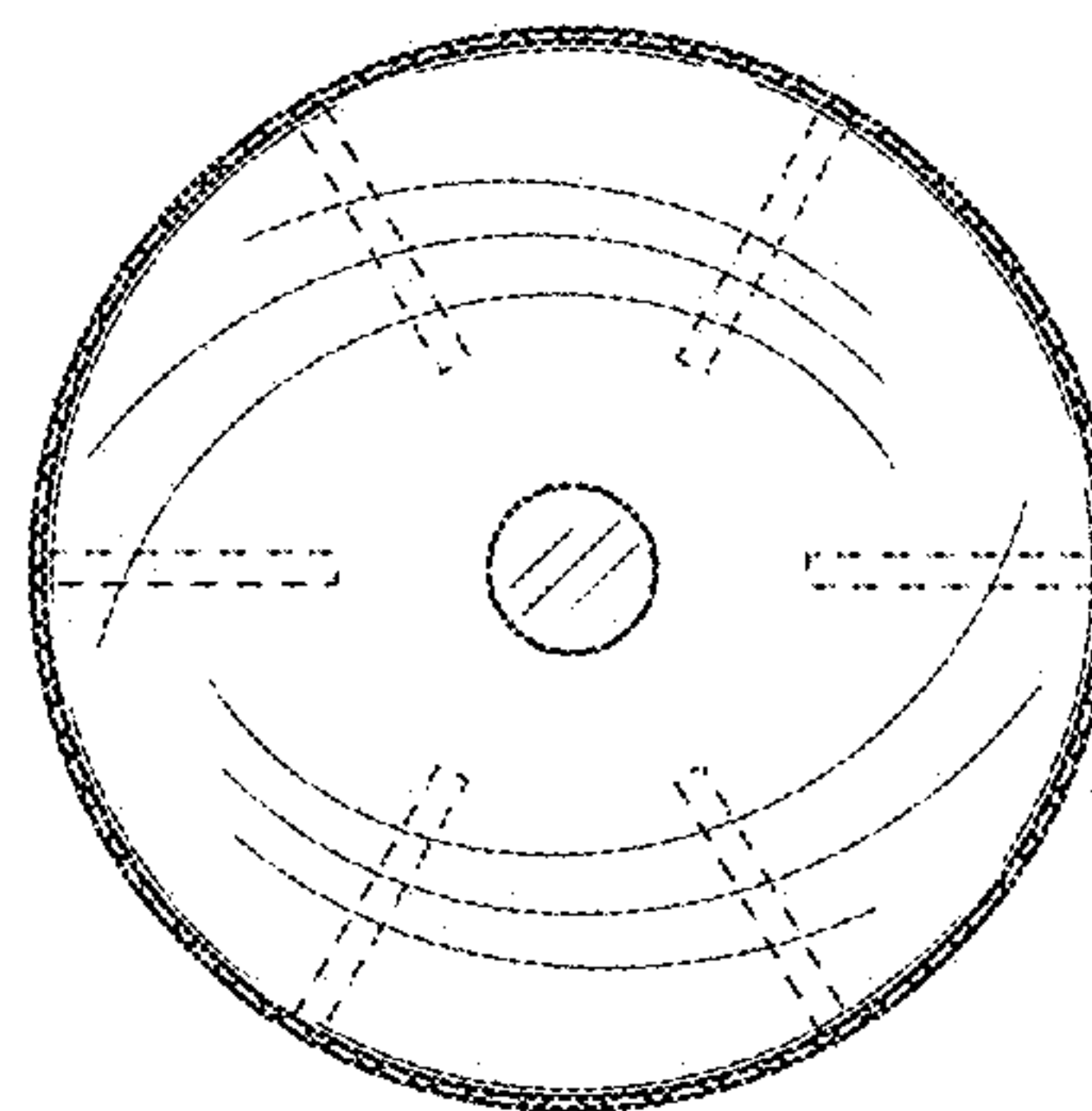


FIG. 20

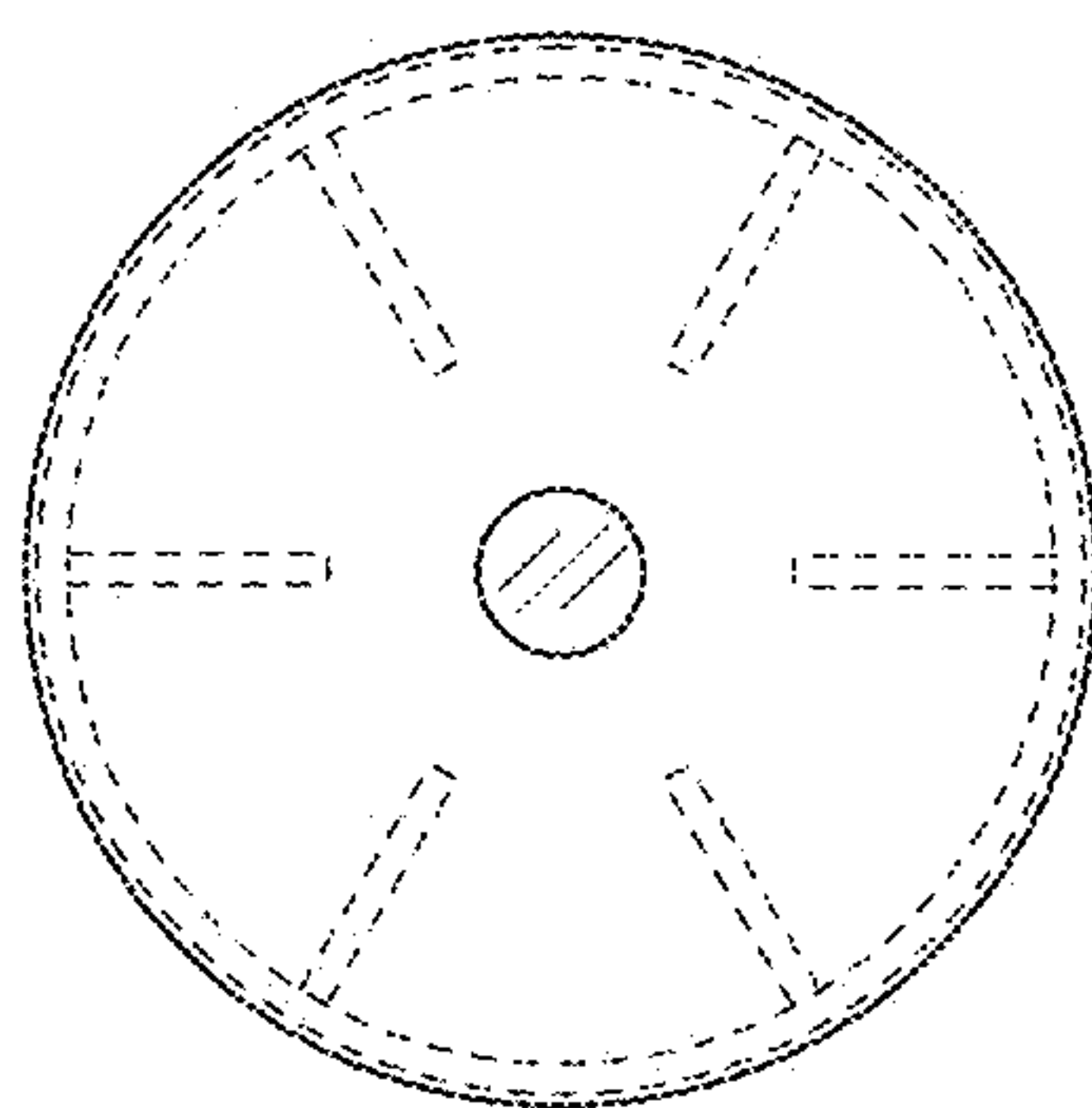


FIG. 21

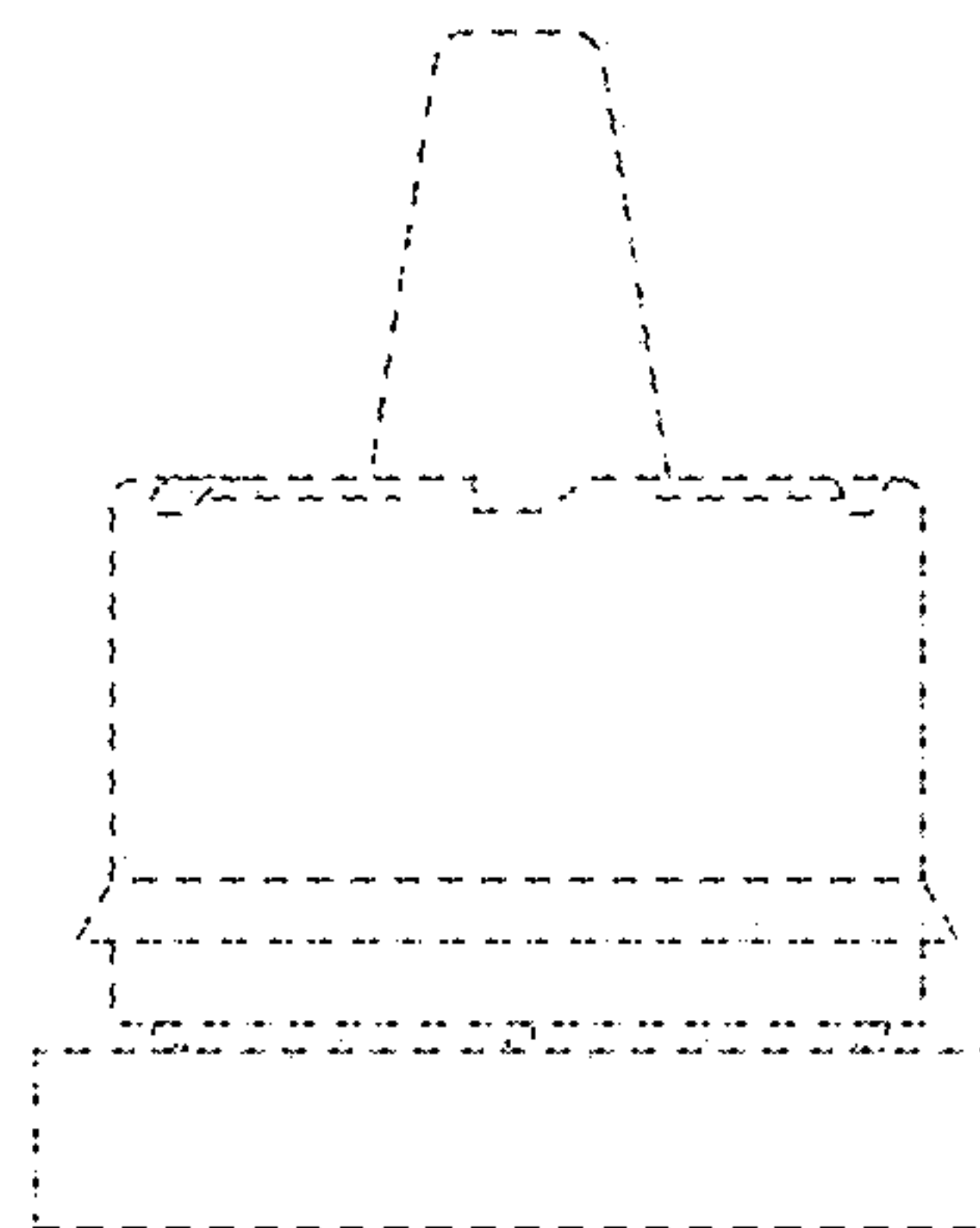


FIG. 22

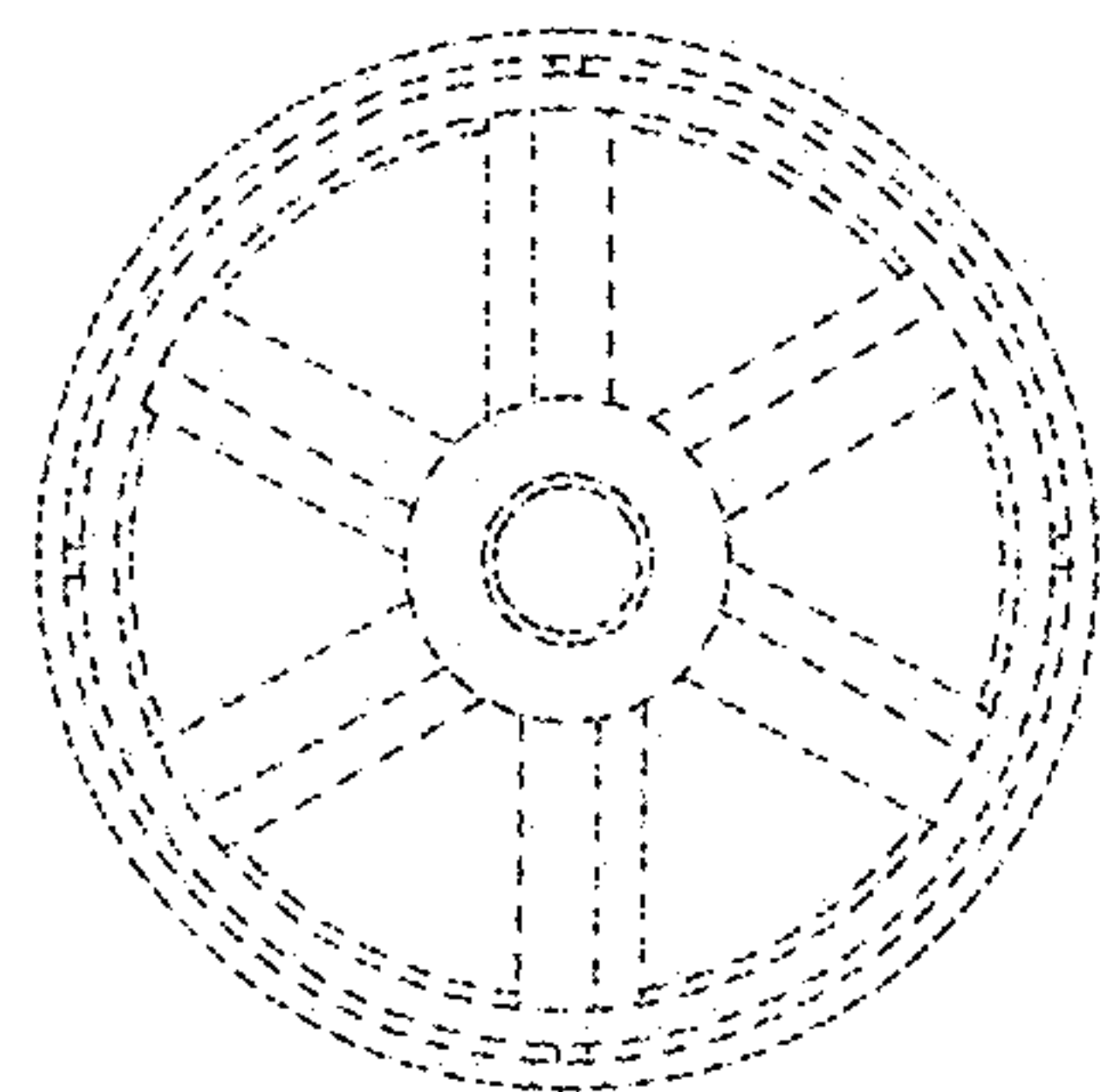


FIG. 23

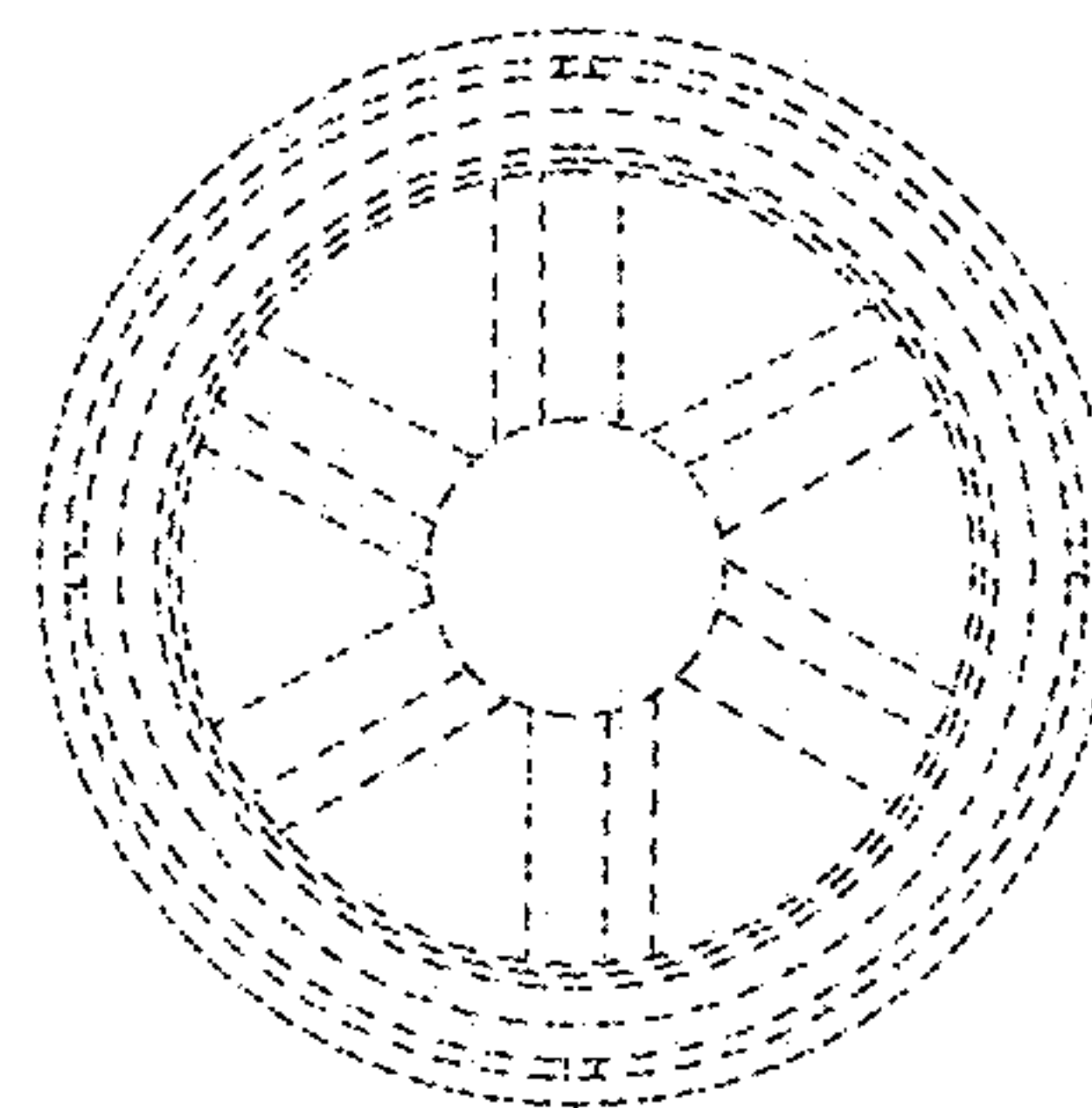


FIG. 24