



US00D981849S

(12) **United States Design Patent**
Qiu

(10) **Patent No.:** **US D981,849 S**
(45) **Date of Patent:** **** Mar. 28, 2023**

- (54) **MASON JAR LID**
- (71) Applicant: **Na Qiu**, Guangzhou (CN)
- (72) Inventor: **Na Qiu**, Guangzhou (CN)
- (**) Term: **15 Years**
- (21) Appl. No.: **29/799,336**
- (22) Filed: **Jul. 14, 2021**
- (51) **LOC (14) Cl.** **09-01**
- (52) **U.S. Cl.**
USPC **D9/443**; D7/392; D7/392.1
- (58) **Field of Classification Search**
USPC D9/435, 436, 439, 440, 442–445, 447,
D9/449, 450, 454, 499, 503, 504, 516,
D9/529; D7/387, 391, 392, 392.1, 396.1,
D7/396.2, 397, 398, 510, 511, 900, 300.1,
D7/533, 622; D3/202
CPC .. A61J 1/00; A61J 1/1412; B65D 1/00; B65D
1/02; B65D 1/10; B65D 1/46; B65D
5/46; B65D 41/00; B65D 41/26; B65D
41/38; B65D 41/56; B65D 41/62; B65D
43/00; B65D 47/00; B65D 47/04; B65D
47/06; B65D 47/061; B65D 47/065;
B65D 47/08; B65D 47/12; B65D 47/122;
B65D 47/40; B65D 2251/00; B65D
2543/00046; B65D 2543/00092; B65D
2543/00296
See application file for complete search history.

(56) **References Cited**
U.S. PATENT DOCUMENTS

D119,501 S *	3/1940	Moss	D7/392
D121,154 S *	6/1940	Bernhardt	D7/392
D247,211 S *	2/1978	Young	D9/443
D448,995 S *	10/2001	McDonald	D9/449
D455,609 S *	4/2002	Mandel	D7/533
D484,743 S *	1/2004	Furlong	D7/533
D511,684 S *	11/2005	Guyot	D9/443
D562,623 S *	2/2008	Nybakke	D7/391

D620,747 S *	8/2010	Taketani	D7/392.1
D621,208 S *	8/2010	Gilbert	D7/396.2
D682,612 S *	5/2013	Rzepecki		
D696,551 S *	12/2013	Meyers et al.		
D699,509 S *	2/2014	El-Saden	D7/392.1
8,695,830 B2 *	4/2014	Meyers	B65D 47/0895 D9/449
D713,672 S *	9/2014	Ho	D7/392.1
D748,478 S *	2/2016	Sorensen	D9/449
D750,426 S *	3/2016	Bann	D7/393
D752,382 S *	3/2016	Ksiazek	D9/449
D755,046 S *	5/2016	Bramwell	D9/434
D758,127 S *	6/2016	Zhao	D7/396.2

(Continued)

OTHER PUBLICATIONS

Mason Jar Lifestyle “Pour & Store Pitcher Lid with Handle for Mason Jars” (online) earliest customer review dated Oct. 21, 2020. Retrieved from Internet on Jul. 14, 2022, URL: <https://masonjarlifestyle.com/product/pour-store-pitcher-lid-with-handle-for-wide-mouth-mason-jars/> (3 pages). (Year: 2020).*

Primary Examiner — Wendy L Arminio
(74) *Attorney, Agent, or Firm* — Rumit Ranjit Kanakia

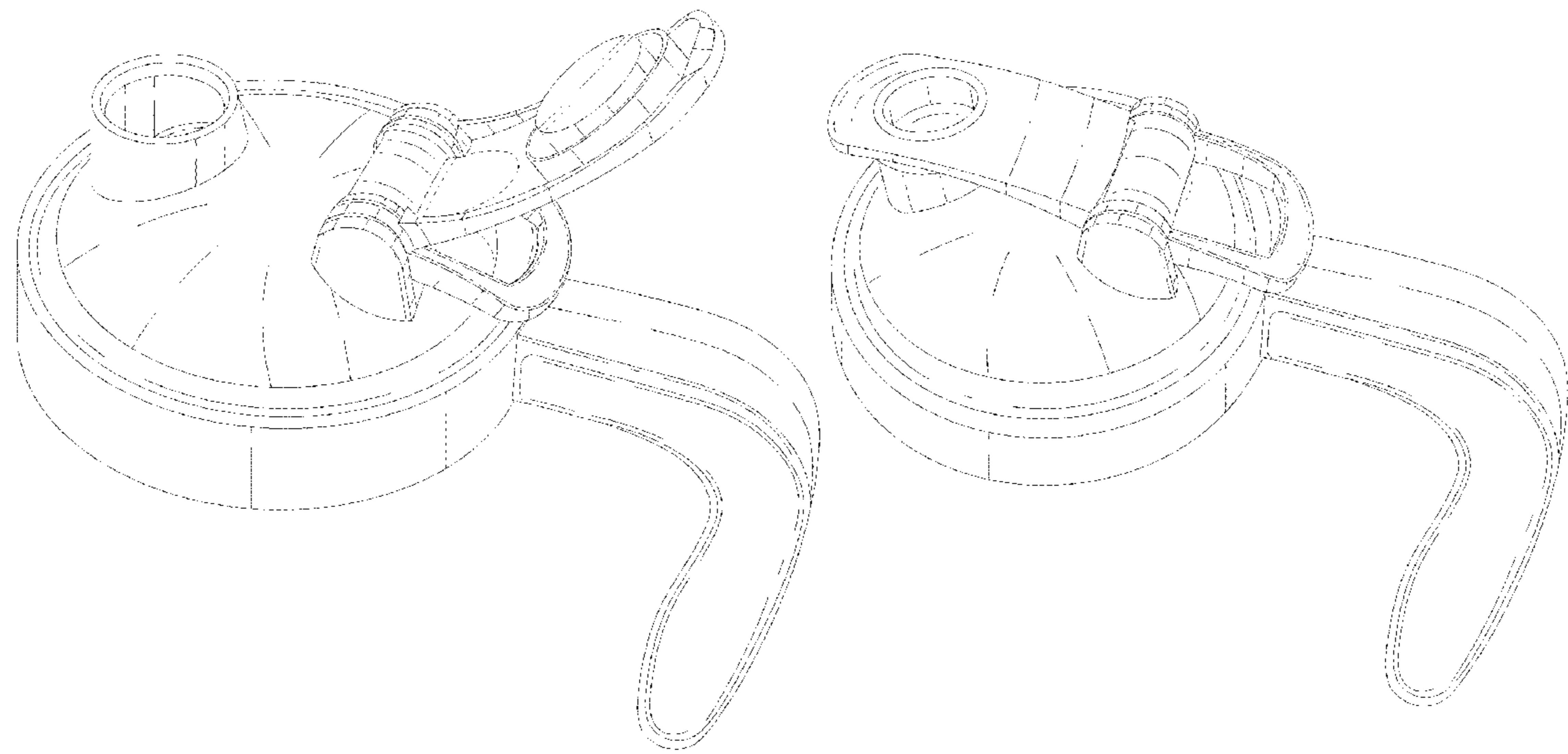
(57) **CLAIM**

I claim the ornamental design for a mason jar lid, as shown and described.

DESCRIPTION

FIG. 1 is a perspective view of a mason jar lid showing my new design in an open position;
FIG. 2 is a front view of the mason jar lid of FIG. 1 shown in a closed position;
FIG. 3 is a back view thereof;
FIG. 4 is a left side view thereof;
FIG. 5 is a right side view thereof;
FIG. 6 is a top view thereof; and,
FIG. 7 is a perspective view thereof.
The broken lines in the drawings depict portions of the mason jar lid that form no part of the claimed design.

1 Claim, 7 Drawing Sheets



(56)

References Cited

U.S. PATENT DOCUMENTS

D779,872	S	*	2/2017	Bergström	D9/449
D780,576	S		3/2017	Volk		
D814,870	S	*	4/2018	Spivey	D7/533
D820,038	S	*	6/2018	Sorensen	D9/449
D834,873	S	*	12/2018	Krawczyk	D7/397
D846,392	S	*	4/2019	Markey	D9/447
D854,880	S	*	7/2019	Meyers	D7/392.1
D874,215	S	*	2/2020	Hansen	D7/392.1
D886,515	S	*	6/2020	Eyal	D7/392
D887,771	S	*	6/2020	Washburn	D7/392
D893,242	S		9/2020	Baron et al.		
D896,573	S		9/2020	Wu		
D897,762	S		10/2020	Zhang		
D900,540	S	*	11/2020	Sorensen	D9/449
D914,456	S	*	3/2021	Lin	D7/511
D922,137	S	*	6/2021	Chen	D9/449
D954,492	S	*	6/2022	Alles	D9/443

* cited by examiner

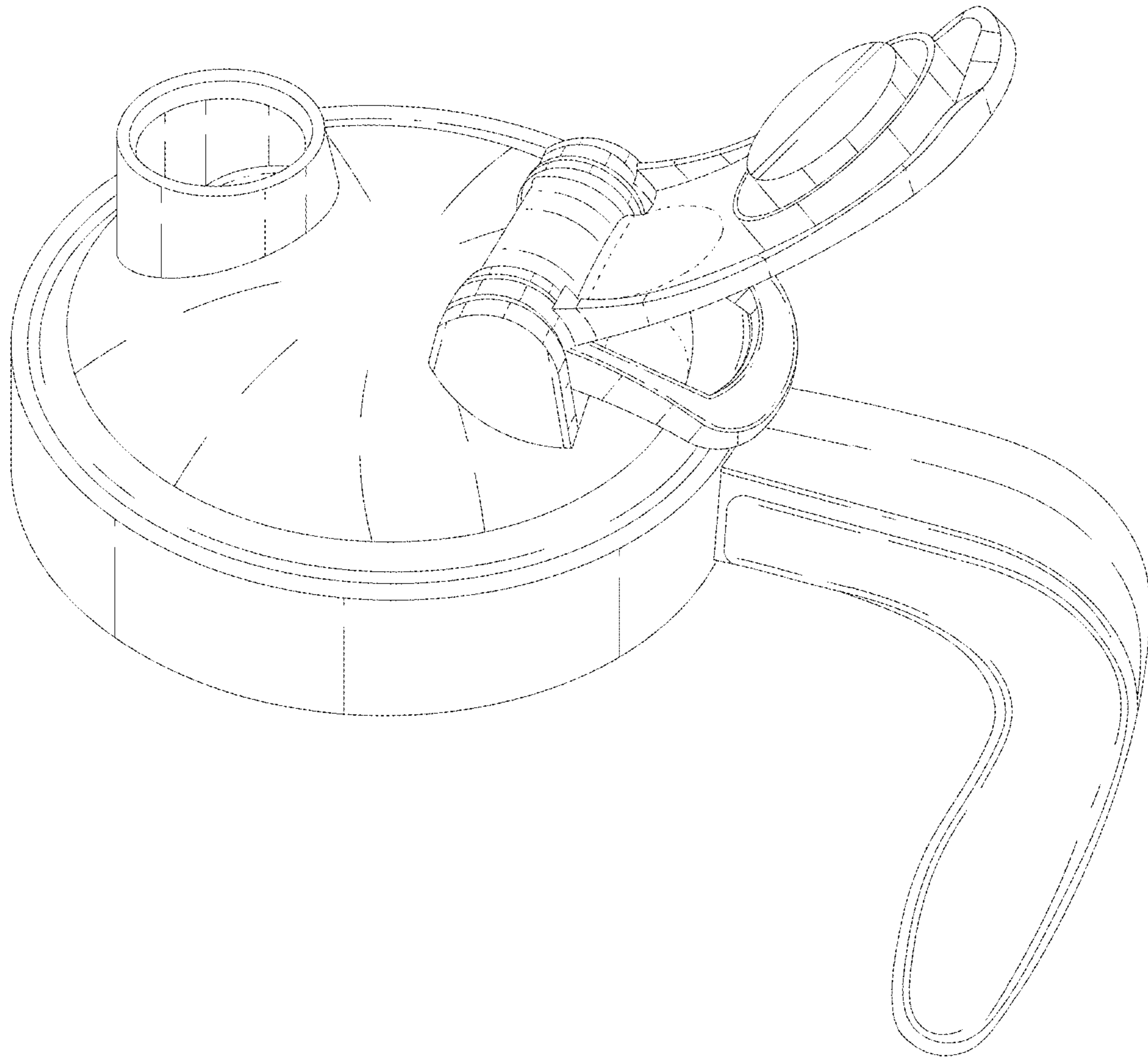


FIG. 1

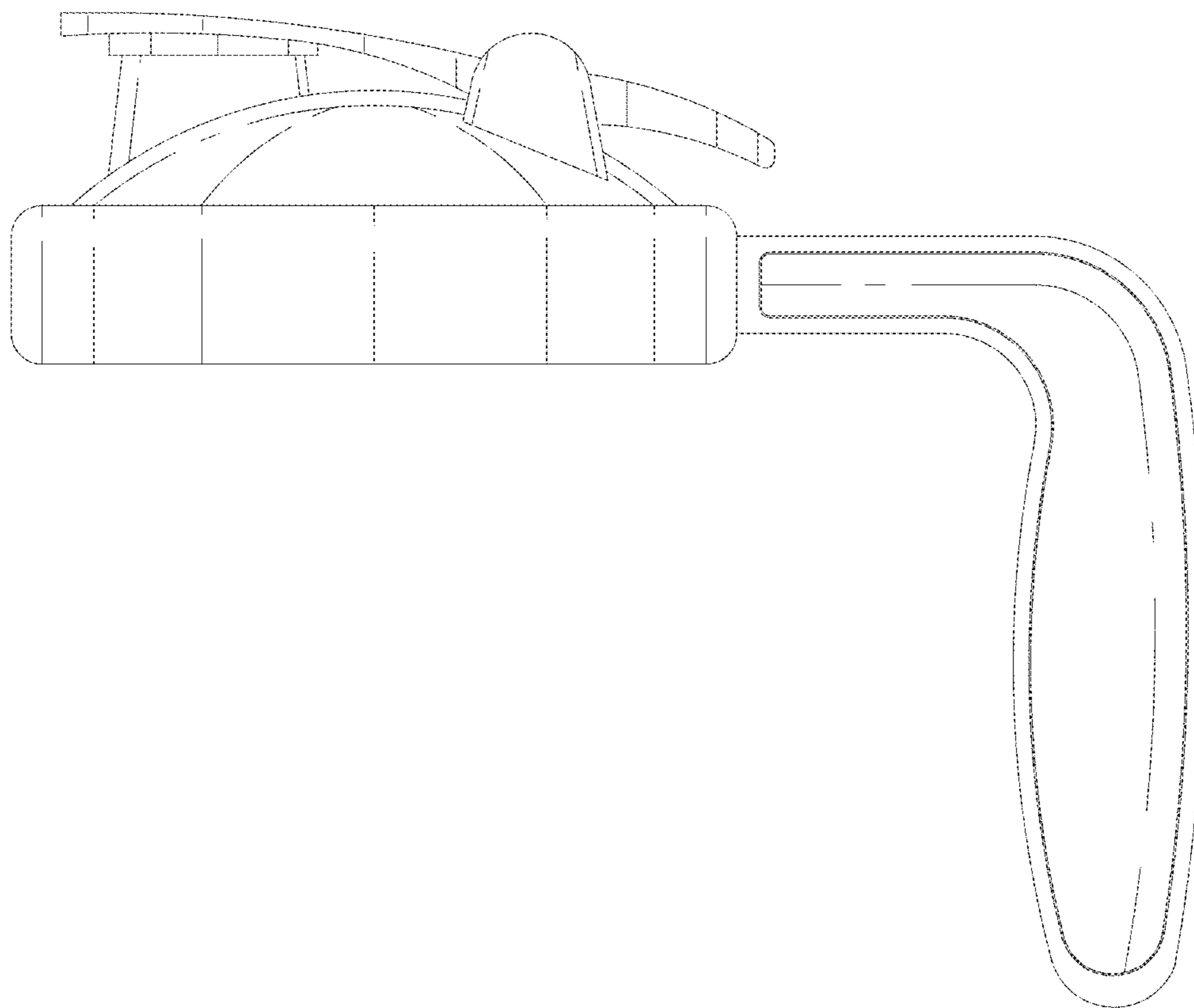


FIG. 2

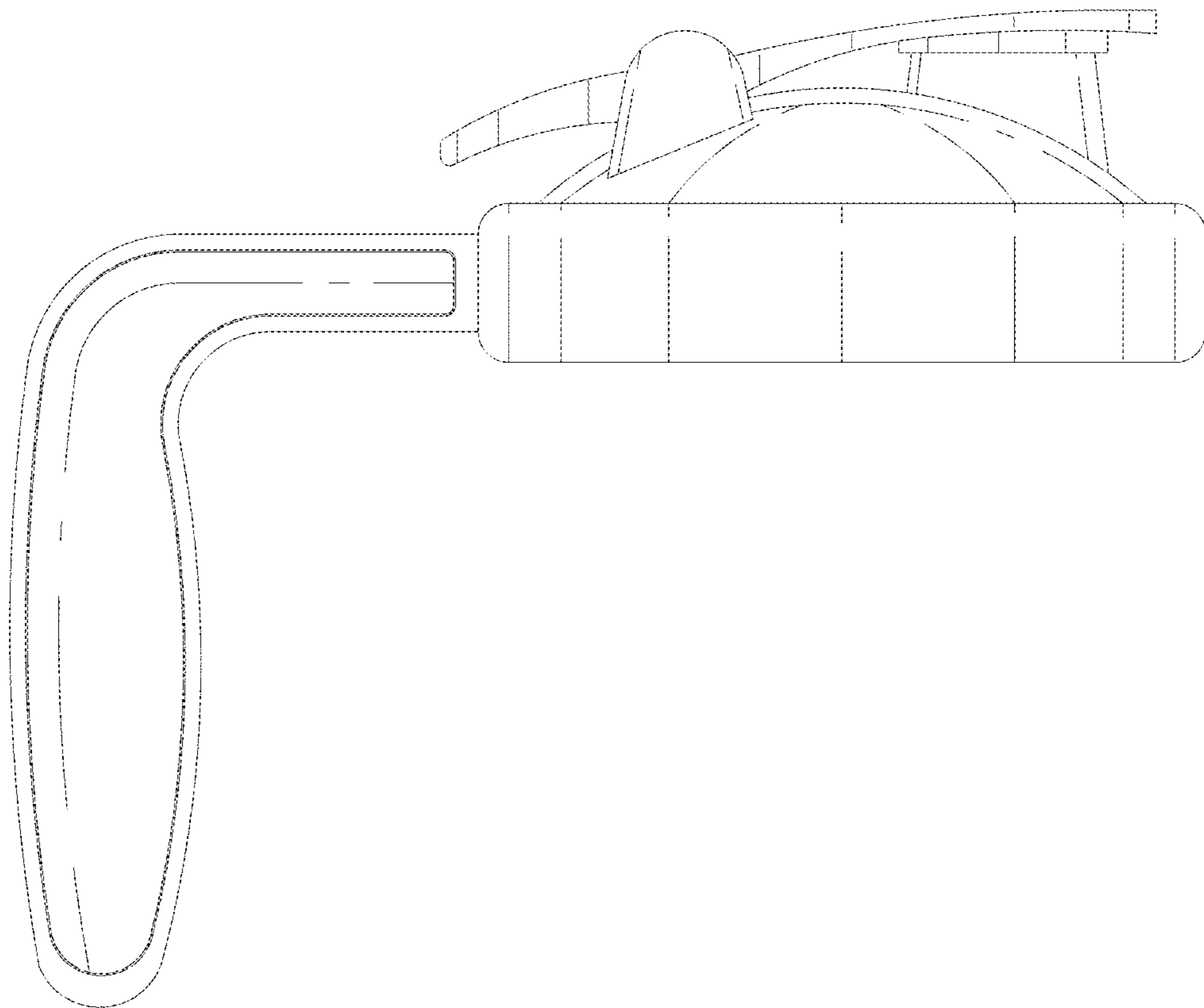


FIG. 3

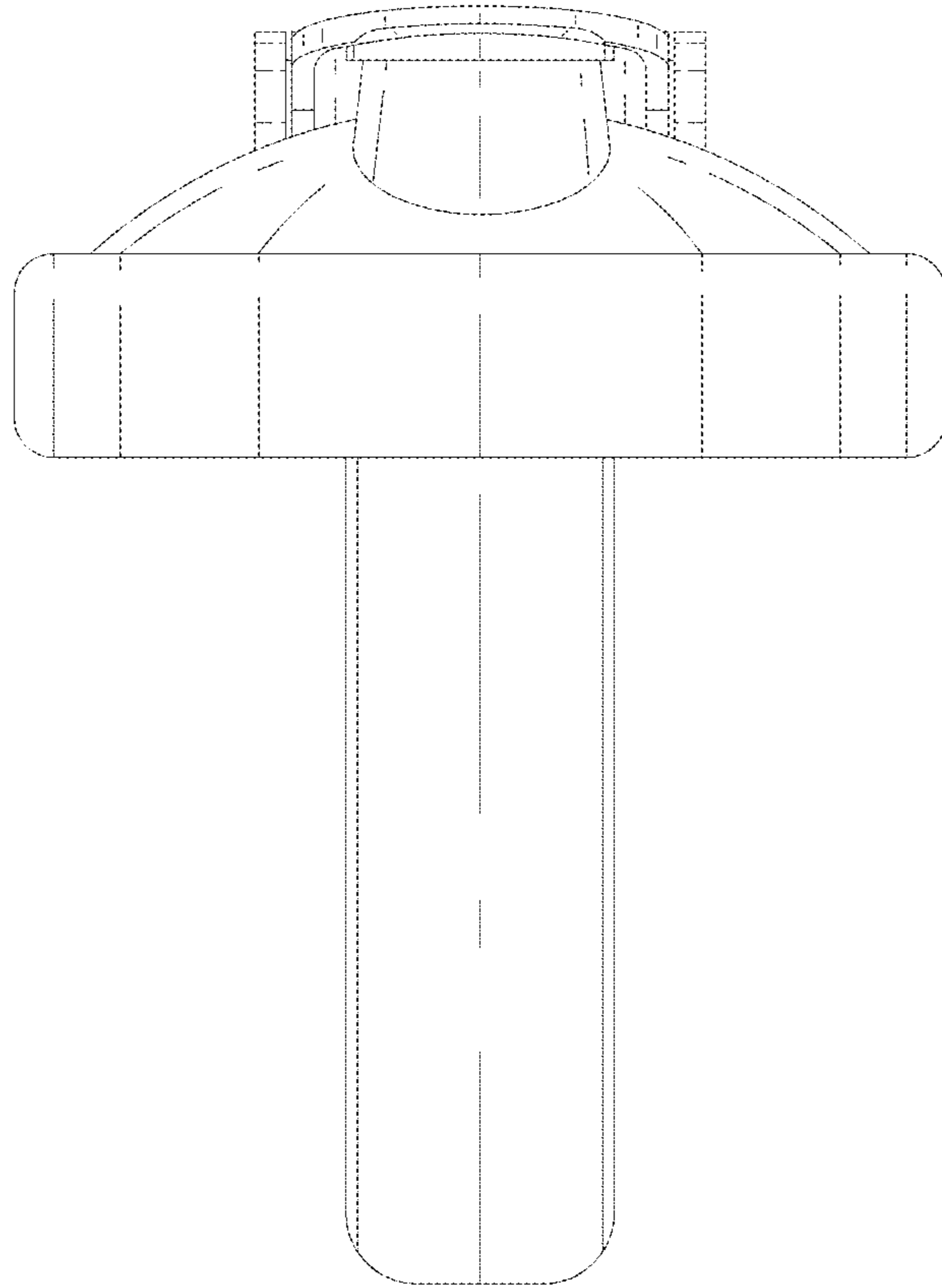


FIG. 4

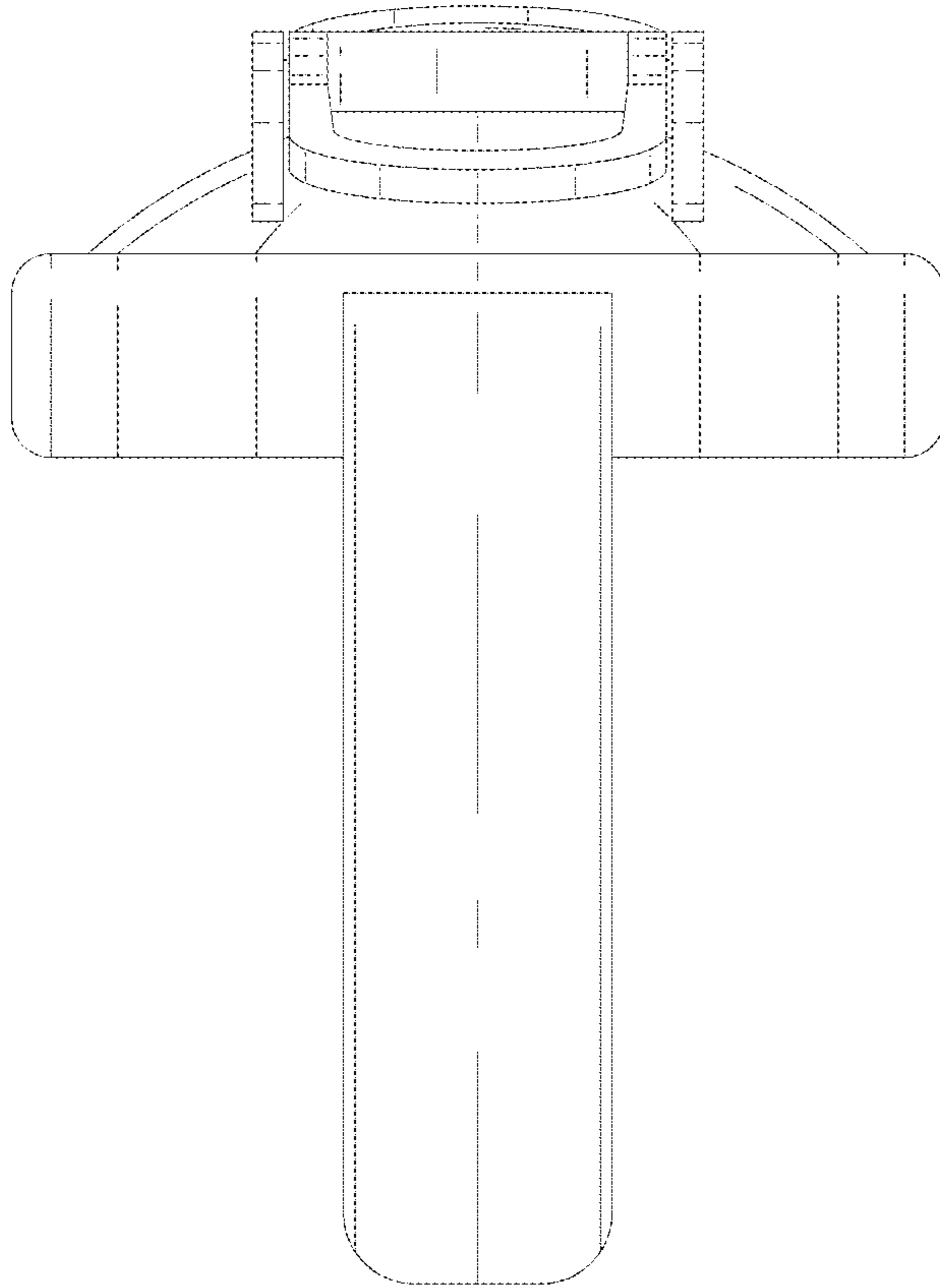


FIG. 5

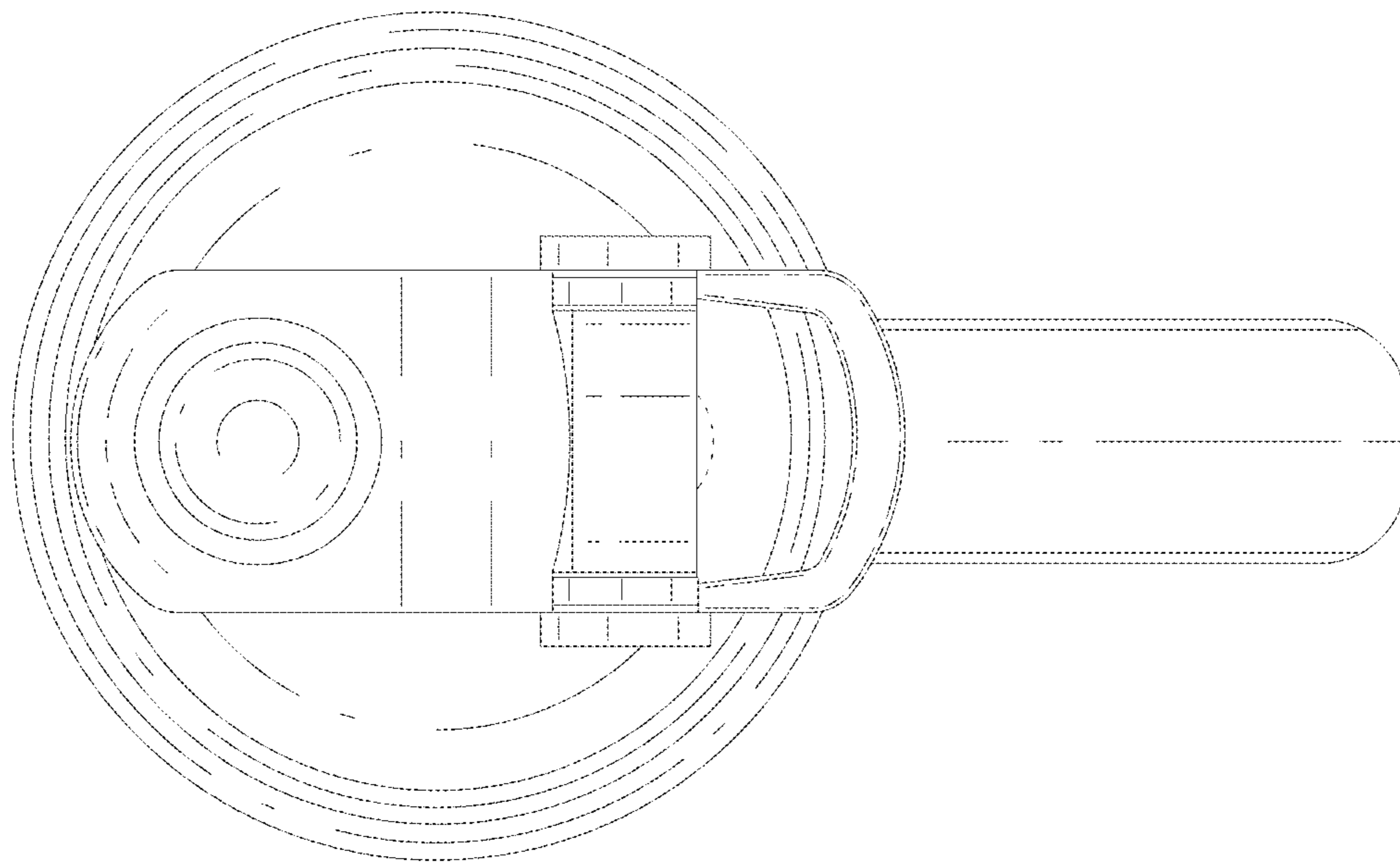


FIG. 6

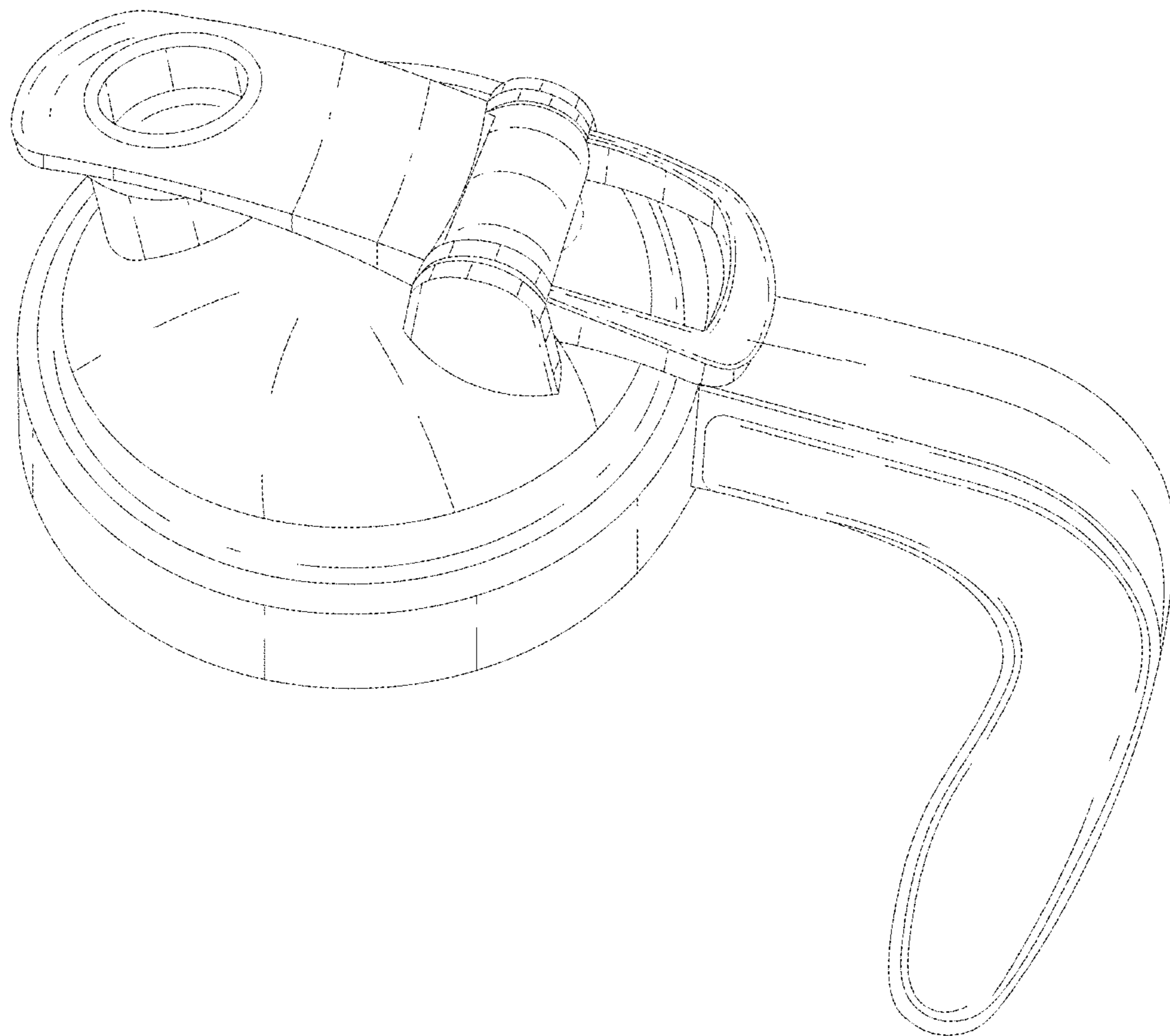


FIG. 7