



US00D981844S

(12) **United States Design Patent** (10) **Patent No.:** **US D981,844 S**  
**Eickhoff et al.** (45) **Date of Patent:** **\*\* Mar. 28, 2023**

(54) **BEVERAGE CAPSULE CUP**  
(71) Applicant: **Berry Global, Inc.**, Evansville, IN (US)  
(72) Inventors: **Jonathan Eickhoff**, Evansville, IN (US); **Jared Bruce Waterman**, Evansville, IN (US)  
(73) Assignee: **Berry Global, Inc.**, Evansville, IN (US)  
(\*\*) Term: **15 Years**

8,409,676 B2 4/2013 Furneaux  
D686,916 S 7/2013 OBrien  
8,474,368 B2 7/2013 Kilber et al.  
D687,297 S 8/2013 OBrien et al.  
D700,839 S 3/2014 OBrien et al.  
D707,489 S \* 6/2014 Hertaus ..... D7/400  
8,828,895 B2 9/2014 Foss et al.  
D715,649 S \* 10/2014 O'Brien ..... D9/500  
D730,174 S 5/2015 OBrien  
9,085,410 B2 7/2015 Beer  
D736,615 S 8/2015 OBrien et al.  
(Continued)

(21) Appl. No.: **29/759,774**  
(22) Filed: **Nov. 25, 2020**  
(51) **LOC (14) Cl.** ..... **09-03**  
(52) **U.S. Cl.**  
USPC ..... **D9/428; D7/400**  
(58) **Field of Classification Search**  
USPC ..... D7/387, 397, 400, 399, 523, 647, 667;  
D9/428, 455, 500; D23/209  
CPC ..... B65D 1/40; B65D 3/06; B65D 21/0209;  
B65D 43/02; B65D 77/30; B65D  
85/8043; B65D 2577/2083  
See application file for complete search history.

FOREIGN PATENT DOCUMENTS

CA 2586792 C 2/2010  
CA 2618863 C 3/2011  
(Continued)

OTHER PUBLICATIONS

AmazonFresh 80 Ct. K-Cups, French Vanilla Flavored Medium Roast, Keurig K-Cup Brewer Compatible Online, published N/A. Retrieved on Oct. 5, 2022 from URL:<https://www.amazon.com/AmazonFresh-K-Cups-Vanilla-Flavored-Compatible/dp/B07BF1HHTQ> (Year: 2022).\*

*Primary Examiner* — Jae Liang  
*Assistant Examiner* — Royner Mendoza

(56) **References Cited**

U.S. PATENT DOCUMENTS

D270,513 S \* 9/1983 Wallsten ..... D7/400  
4,847,148 A 7/1989 Schirmer  
4,935,089 A 6/1990 Schirmer  
5,840,189 A 11/1998 Sylvan et al.  
5,849,401 A 12/1998 El-Afandi et al.  
D426,160 S \* 6/2000 Lindsay ..... D9/500  
6,810,788 B2 11/2004 Hale  
7,105,106 B2 9/2006 Samuels et al.  
D577,288 S \* 9/2008 Wilson ..... D9/500  
D606,363 S \* 12/2009 Aardenburg ..... D7/400  
D636,670 S \* 4/2011 Schedl ..... D9/438  
8,053,051 B2 11/2011 Kitahara et al.  
8,067,501 B2 11/2011 Fiscus et al.  
D652,266 S \* 1/2012 Smyers ..... D7/630

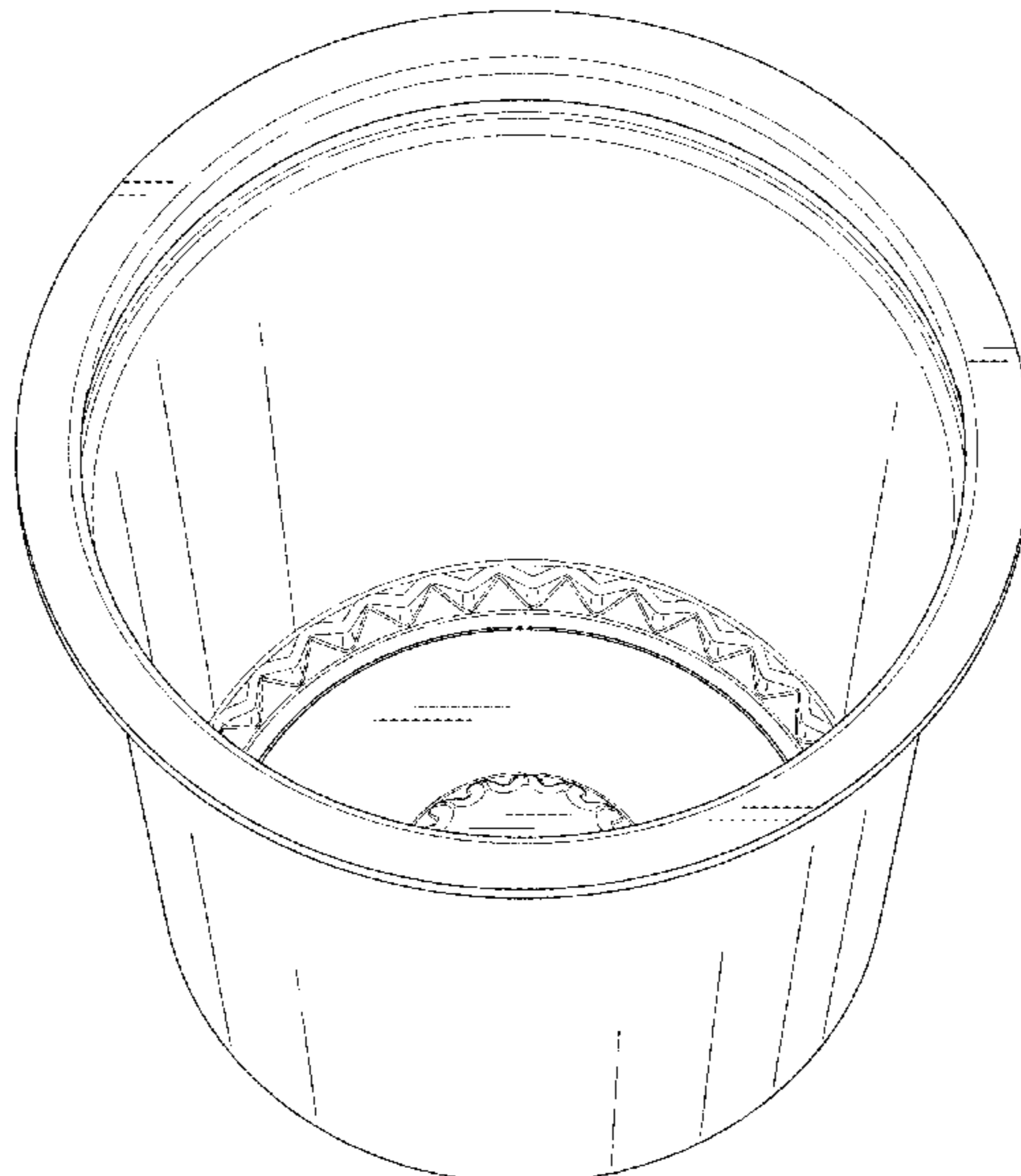
(57) **CLAIM**

The ornamental design for a beverage capsule cup, as shown and described.

**DESCRIPTION**

FIG. 1 is a top perspective view of a beverage capsule cup showing our new design;  
FIG. 2 is a bottom perspective view thereof;  
FIG. 3 is a side view thereof;  
FIG. 4 is a top view thereof; and,  
FIG. 5 is a bottom view thereof.

**1 Claim, 5 Drawing Sheets**



(56)

References Cited

U.S. PATENT DOCUMENTS

D745,386 S \* 12/2015 Covey ..... D9/416  
 9,260,596 B2 2/2016 Kashiba et al.  
 9,326,635 B2 5/2016 Koestring et al.  
 9,415,913 B1 8/2016 Lanctuit et al.  
 9,732,167 B2 8/2017 Okada et al.  
 D796,898 S \* 9/2017 Robotti ..... D7/400  
 D797,503 S \* 9/2017 Robotti ..... D7/400  
 D808,797 S \* 1/2018 Rippin ..... D9/429  
 D825,335 S \* 8/2018 Buck ..... D9/500  
 D845,705 S \* 4/2019 Simonazzi ..... D7/400  
 D854,926 S \* 7/2019 Tung ..... D9/428  
 D874,923 S \* 2/2020 Heukamp ..... D9/428  
 D877,618 S \* 3/2020 Baker ..... D9/500  
 D908,480 S \* 1/2021 Held ..... D9/416  
 11,000,148 B2 5/2021 Conant et al.  
 D927,970 S \* 8/2021 Choi ..... D9/416  
 D939,345 S \* 12/2021 Drori ..... D9/428  
 D956,549 S \* 7/2022 Brivois ..... D9/416  
 D956,550 S \* 7/2022 Brivois ..... D9/416  
 2003/0222089 A1 12/2003 Hale  
 2012/0097602 A1 4/2012 Tedford  
 2013/0323129 A1 12/2013 Carmichael et al.  
 2014/0120217 A1 5/2014 O'Brien et al.  
 2014/0120218 A1 5/2014 O'Brien et al.  
 2014/0212546 A1 7/2014 Koestring et al.

2014/0220191 A1 8/2014 Kelly et al.  
 2014/0272018 A1 9/2014 Koller et al.  
 2014/0308405 A1 10/2014 Okada et al.  
 2014/0308406 A1 10/2014 O'Brien et al.  
 2014/0311098 A1 10/2014 Hooft et al.  
 2015/0191607 A1 7/2015 McDaniel  
 2016/0227957 A1 8/2016 Koestring et al.  
 2017/0042362 A1 2/2017 Bunner et al.  
 2017/0121050 A1\* 5/2017 Foster ..... B65D 85/8061  
 2017/0266933 A1 9/2017 Lee et al.  
 2017/0367521 A1 12/2017 Conant et al.  
 2018/0001604 A1 1/2018 Van Loon et al.  
 2018/0228314 A1\* 8/2018 Putnam ..... B65D 1/28  
 2019/0375569 A1\* 12/2019 Dyroff ..... B65D 77/2052  
 2021/0070537 A1 3/2021 Bunner et al.  
 2021/0245914 A1\* 8/2021 Eickhoff ..... B32B 27/306  
 2022/0127068 A1\* 4/2022 Eickhoff ..... B65D 85/8043

FOREIGN PATENT DOCUMENTS

CA 2840141 A1 12/2012  
 CA 2650797 C 5/2014  
 CA 2932176 A1 6/2015  
 CN 302990436 \* 11/2014  
 WO 2015191565 A1 12/2015  
 WO 2019238898 A2 12/2019

\* cited by examiner

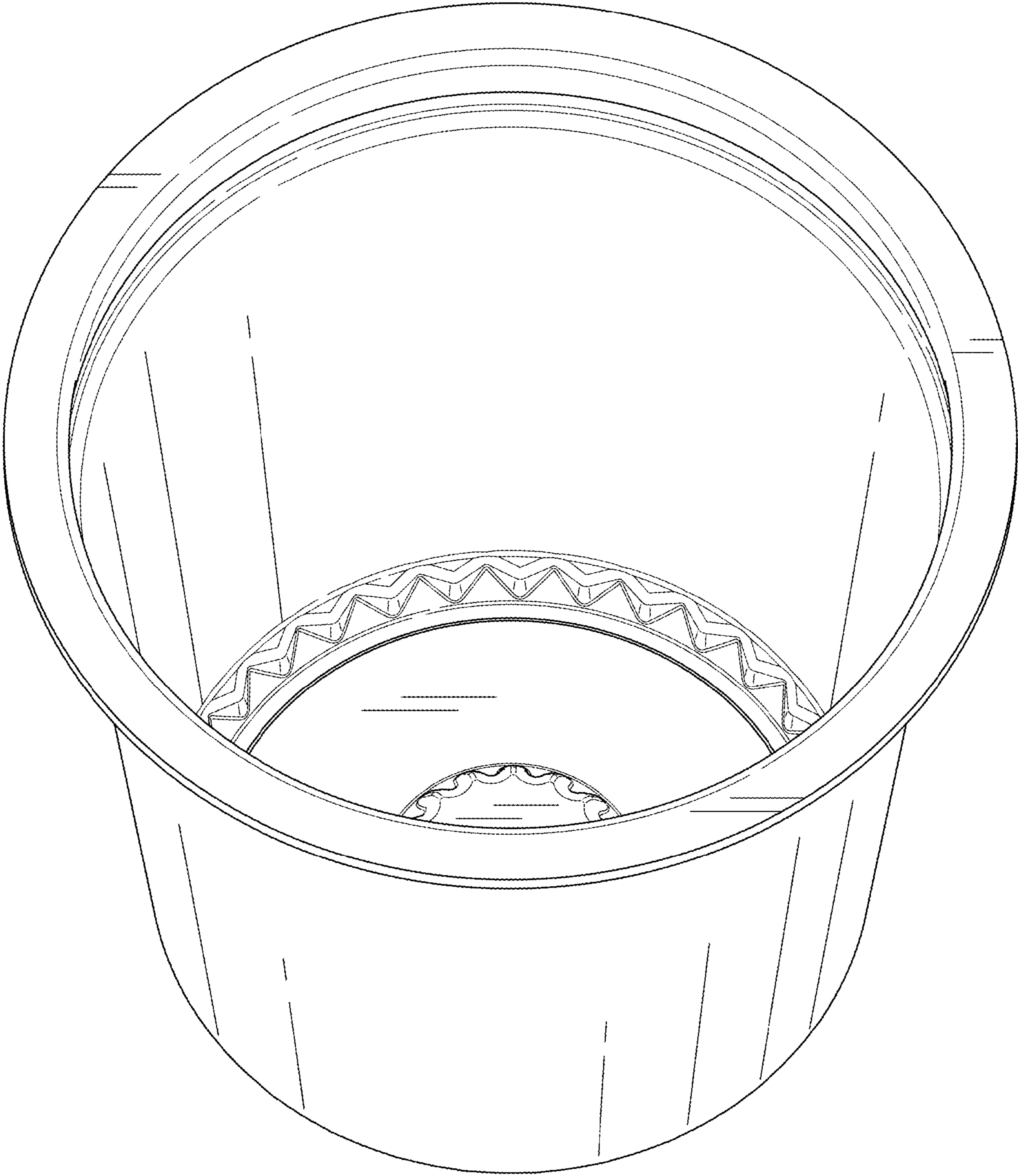


FIG. 1



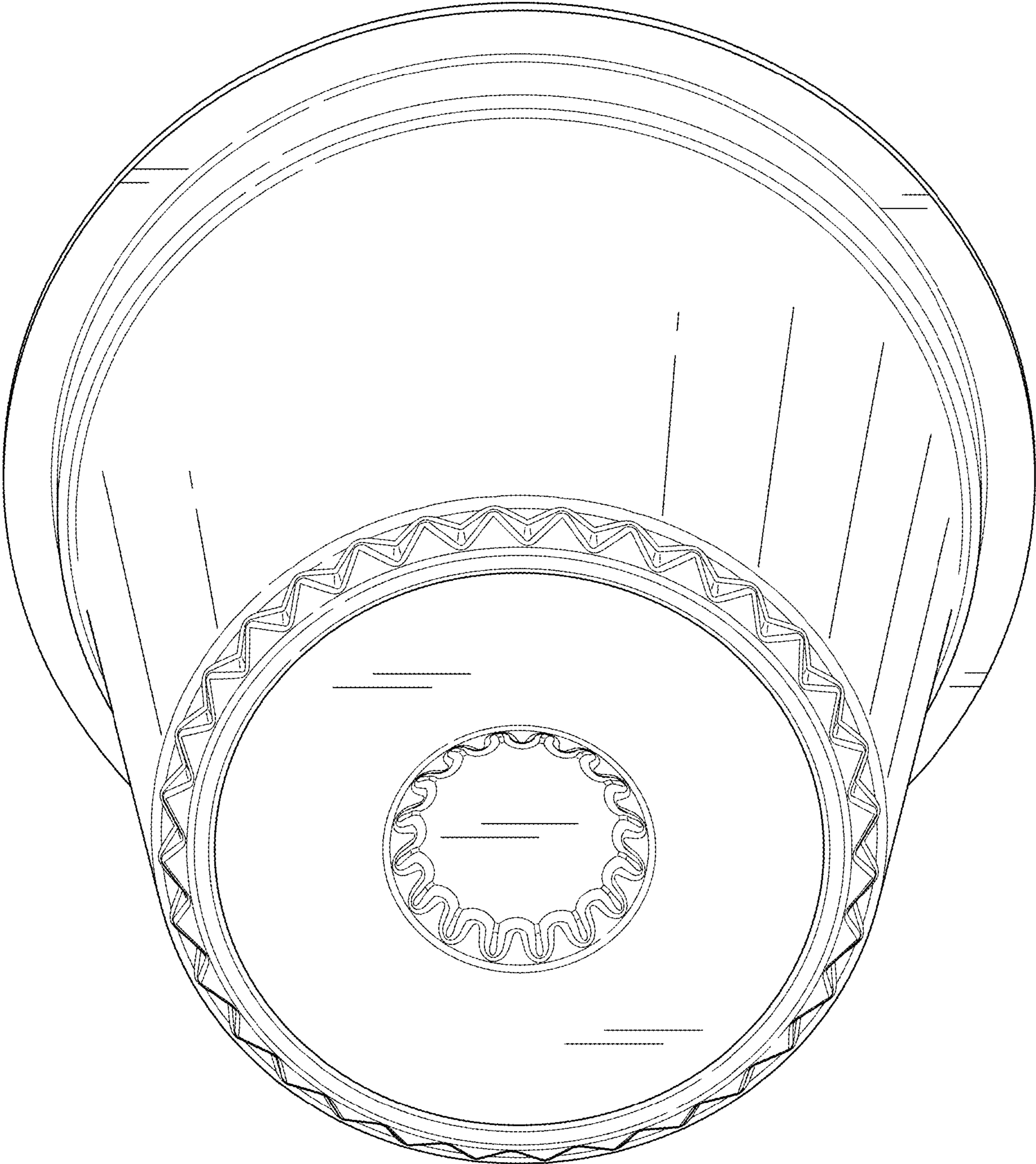


FIG. 2

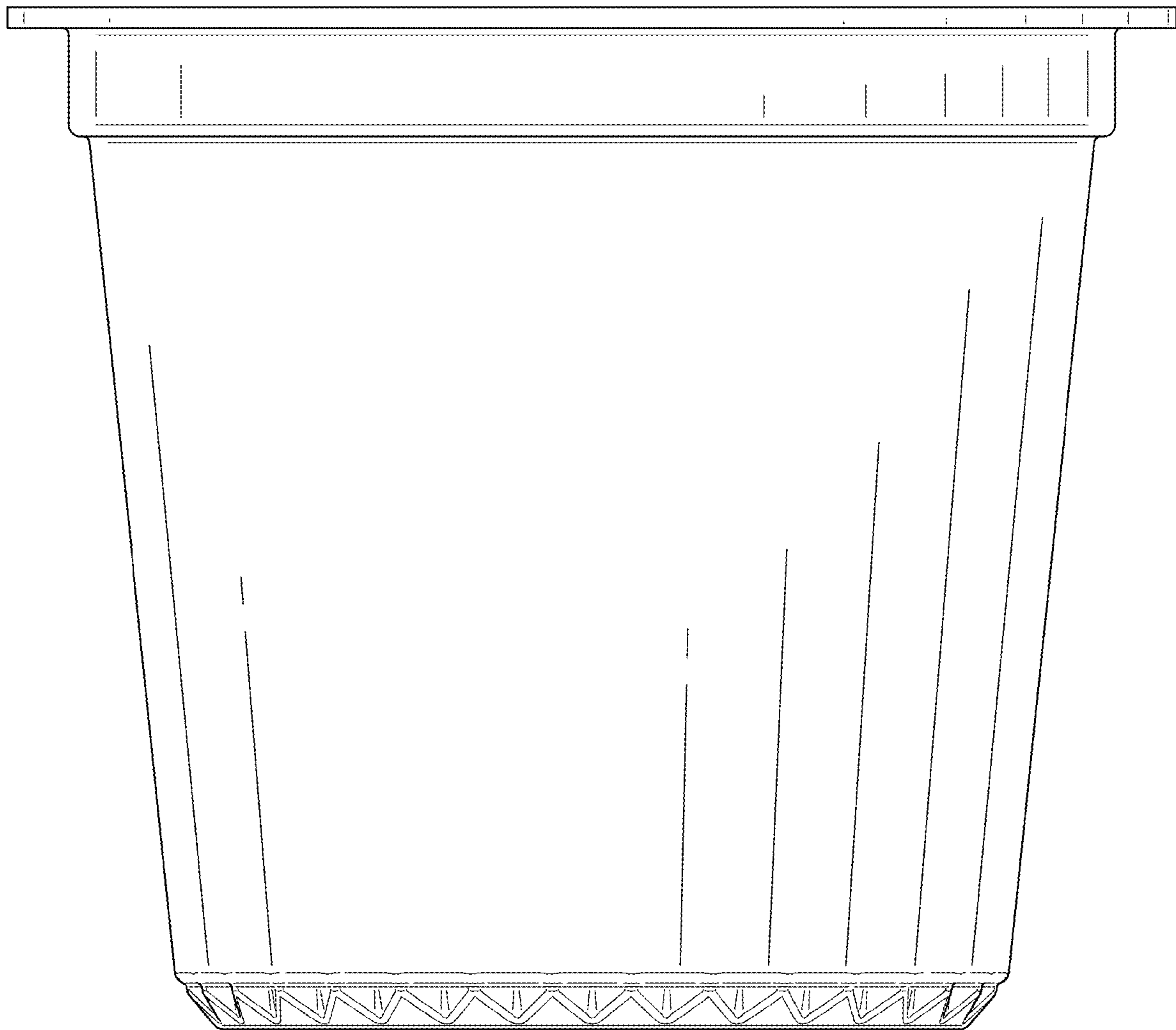


FIG. 3

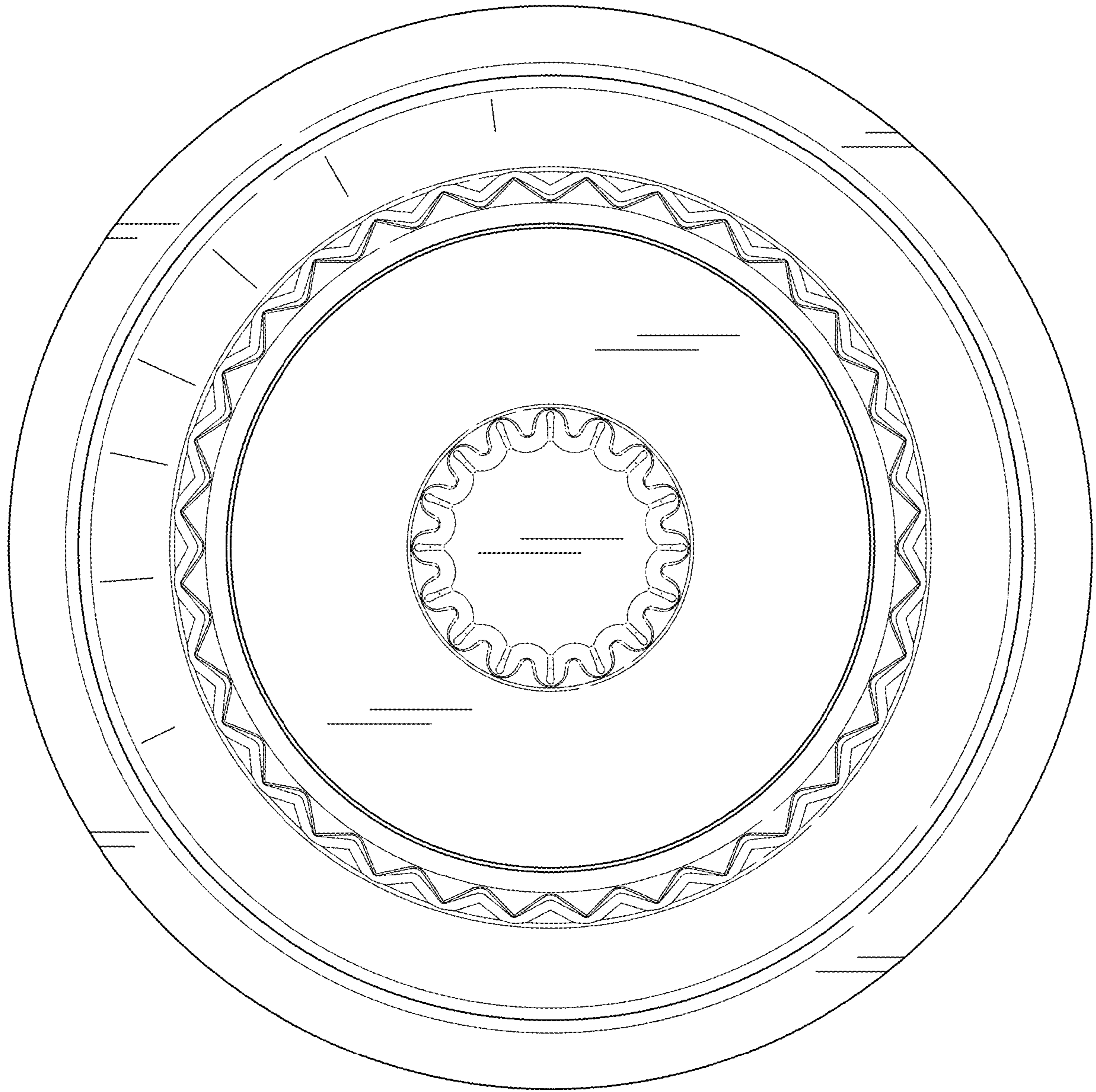


FIG. 4



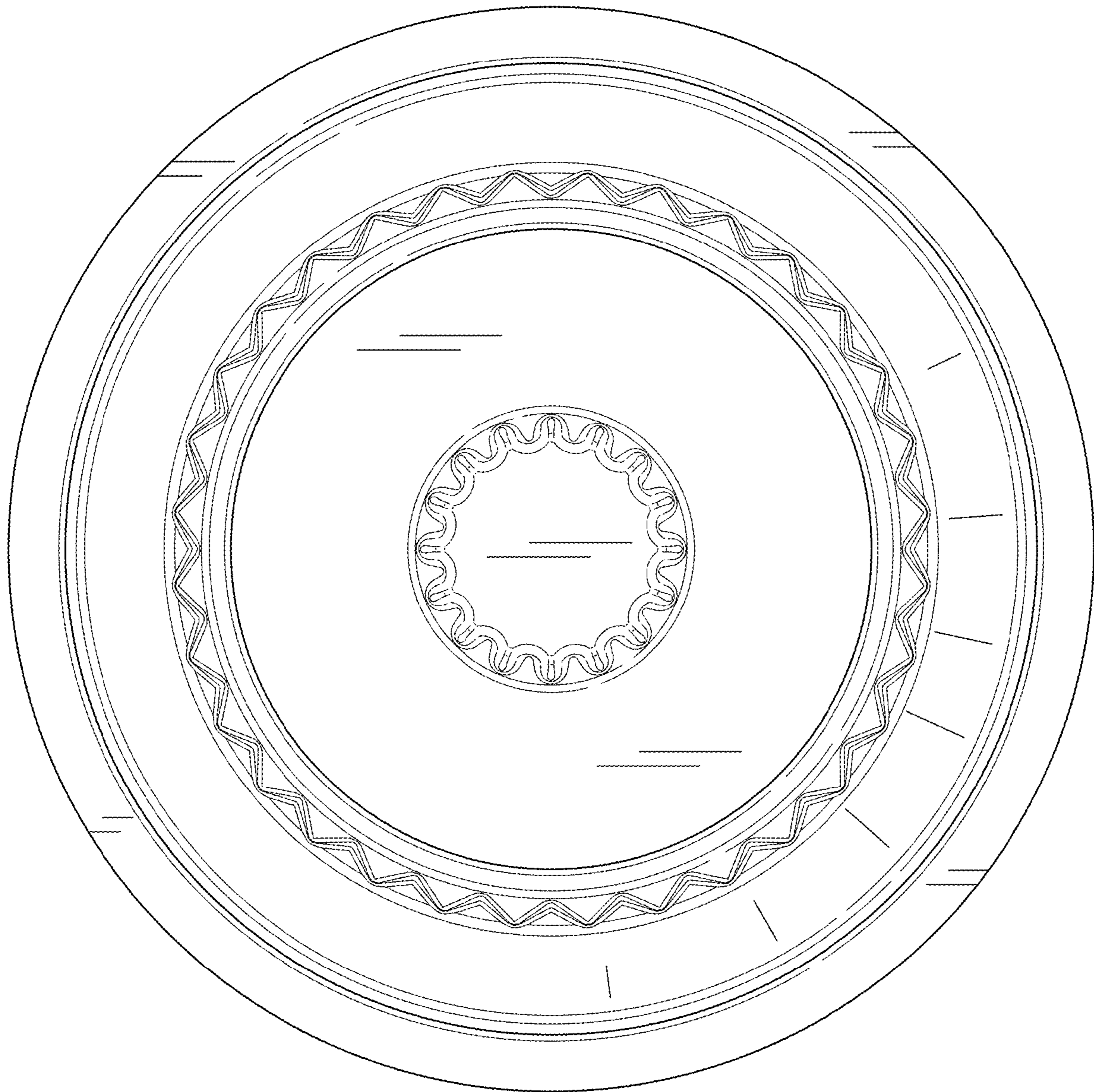


FIG. 5