



US00D981842S

(12) **United States Design Patent**
Dominion et al.

(10) **Patent No.:** **US D981,842 S**
(45) **Date of Patent:** **** Mar. 28, 2023**

(54) **CONTAINER**

FOREIGN PATENT DOCUMENTS

(71) Applicant: **D6 Inc.**, Portland, OR (US)

KR 301014876.0000 * 11/2018

(72) Inventors: **Edward C. Dominion**, Portland, OR (US); **Martin L. Troudt**, Portland, OR (US)

OTHER PUBLICATIONS

75 Count Green Wave 9"x6"x3" Clamshell 2 compartments food container Hinged Disposable food container with lids Product by Green Wave Store Online. Published date N/A. Retrieved on Oct. 21, 2022 from URL: <https://www.amazon.com/Green-Wave-Containers-compartments-Compostable/dp/B09W4QJTV8/ref> (Year: 2022).*

(73) Assignee: **D6 Inc.**, Portland, OR (US)

(**) Term: **15 Years**

(Continued)

(21) Appl. No.: **29/759,532**

Primary Examiner — Jae Liang

(22) Filed: **Nov. 23, 2020**

Assistant Examiner — Royner Mendoza

(51) **LOC (14) Cl.** **09-03**

(74) *Attorney, Agent, or Firm* — Stoel Rives LLP

(52) **U.S. Cl.**

(57) **CLAIM**

USPC **D9/425**; D9/426

The ornamental design for a container, as shown and described.

(58) **Field of Classification Search**

DESCRIPTION

USPC D3/274, 282, 284, 295, 302; D7/354, D7/550.1, 551.1, 551.2, 551.3, 553.4, D7/553.5, 553.7, 553.8, 554.3, 601, 602, D7/610, 629, 630, 707, 708; D9/420, D9/424, 425, 426, 428, 430, 431, 432, D9/759, 760, 761

FIG. 1 is a top isometric view of a container of our new design in an open configuration.

CPC A47G 23/04; A47G 23/06; A47G 23/0683; B65D 1/00; B65D 1/36; B65D 81/3446; B65D 25/04; B65D 43/162; B65D 85/34; B65D 2543/00361; B65D 2543/00537

FIG. 2 is a bottom isometric view thereof.

See application file for complete search history.

FIG. 3 is a top view thereof.

FIG. 4 is a bottom view thereof.

FIG. 5 is a front view thereof.

FIG. 6 is a rear view thereof.

FIG. 7 is a left side view thereof.

FIG. 8 is a right side view thereof.

FIG. 9 is a top isometric view of the container of FIG. 1 in a closed configuration.

FIG. 10 is a bottom isometric view thereof.

FIG. 11 is a top view thereof.

FIG. 12 is a bottom view thereof.

FIG. 13 is a front view thereof.

FIG. 14 is a rear view thereof.

FIG. 15 is a left side view thereof; and,

FIG. 16 is a right side view thereof.

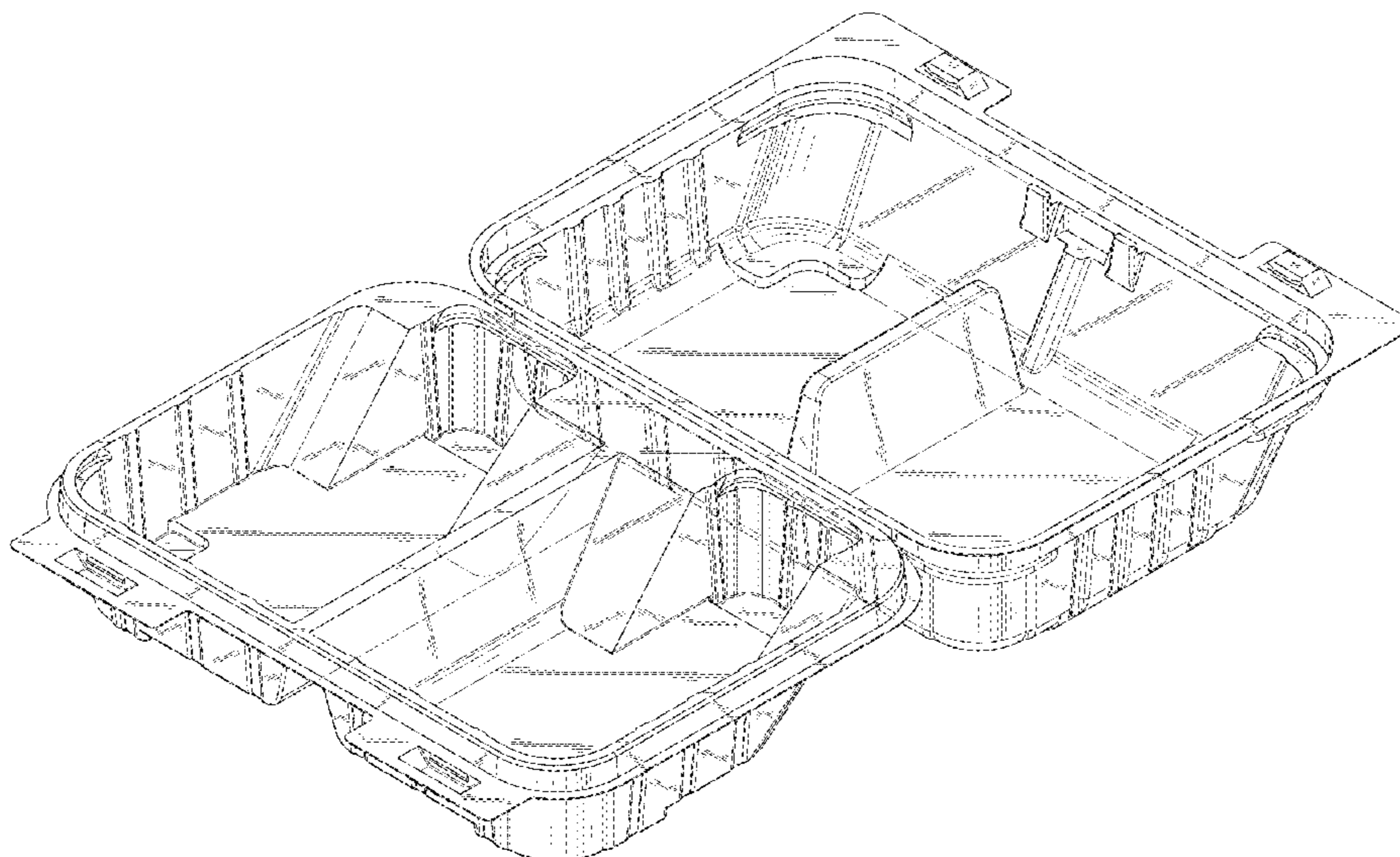
(56) **References Cited**

U.S. PATENT DOCUMENTS

- D284,727 S * 7/1986 Gerber D7/546
- D372,170 S * 7/1996 Ahern, Jr. D7/553.3
- 5,862,930 A 1/1999 Orkisz
- D533,059 S 12/2006 Mknutson et al.
- D681,446 S * 5/2013 Schalter D9/761
- D752,430 S * 3/2016 Stevenson D9/425
- 9,511,901 B2 * 12/2016 Lam B65D 85/34

(Continued)

1 Claim, 12 Drawing Sheets



(56)

References Cited

U.S. PATENT DOCUMENTS

D823,106 S * 7/2018 Lam D9/426
D831,445 S * 10/2018 Karger D7/703
D840,842 S * 2/2019 Appendini D9/425
D874,263 S * 2/2020 Wouters D9/426
D874,920 S * 2/2020 Lindsay D9/420
D900,640 S * 11/2020 Huang D9/425
D949,009 S * 4/2022 Smith D9/425
2001/0002268 A1 5/2001 Hanson et al.
2004/0142075 A1 7/2004 Ellis et al.

OTHER PUBLICATIONS

Essentials SureLock 8.75IN Clear Rectangle Pet 2 Compartment Cookie Clamshell & Hinged Container W/Dome Lid Shelf, by Inline Plastics Online. Published on N/A. Retrieved on Oct. 21, 2022 from URL:<https://imperialdade.com/catalog/product-detail/essentials-surelock-8-75in-clear-rectangle-pet> (Year: 2022).*

Microwaveable 2-Compartment Black / Clear Plastic Hinged Container by WebstaurantStore Online. Published date N/A. Retrieved on Oct. 21, 2022 from URL:<https://www.webstaurantstore.com/choice-9-7-16-x-6-x-3-1-4-microwaveable-2-compartment-black-clear-plastic-hinged-container-case/500TO96> (Year: 2022).*

Dunn, Tami, "Lofthouse Delicious Cookies: Spring Shortbread Cookies & Strawberry Frosted Sugar Cookies Review," YouTube.com, online at <https://www.youtube.com/watch?v=bThej5g-8ac>, Apr. 27, 2018.

* cited by examiner

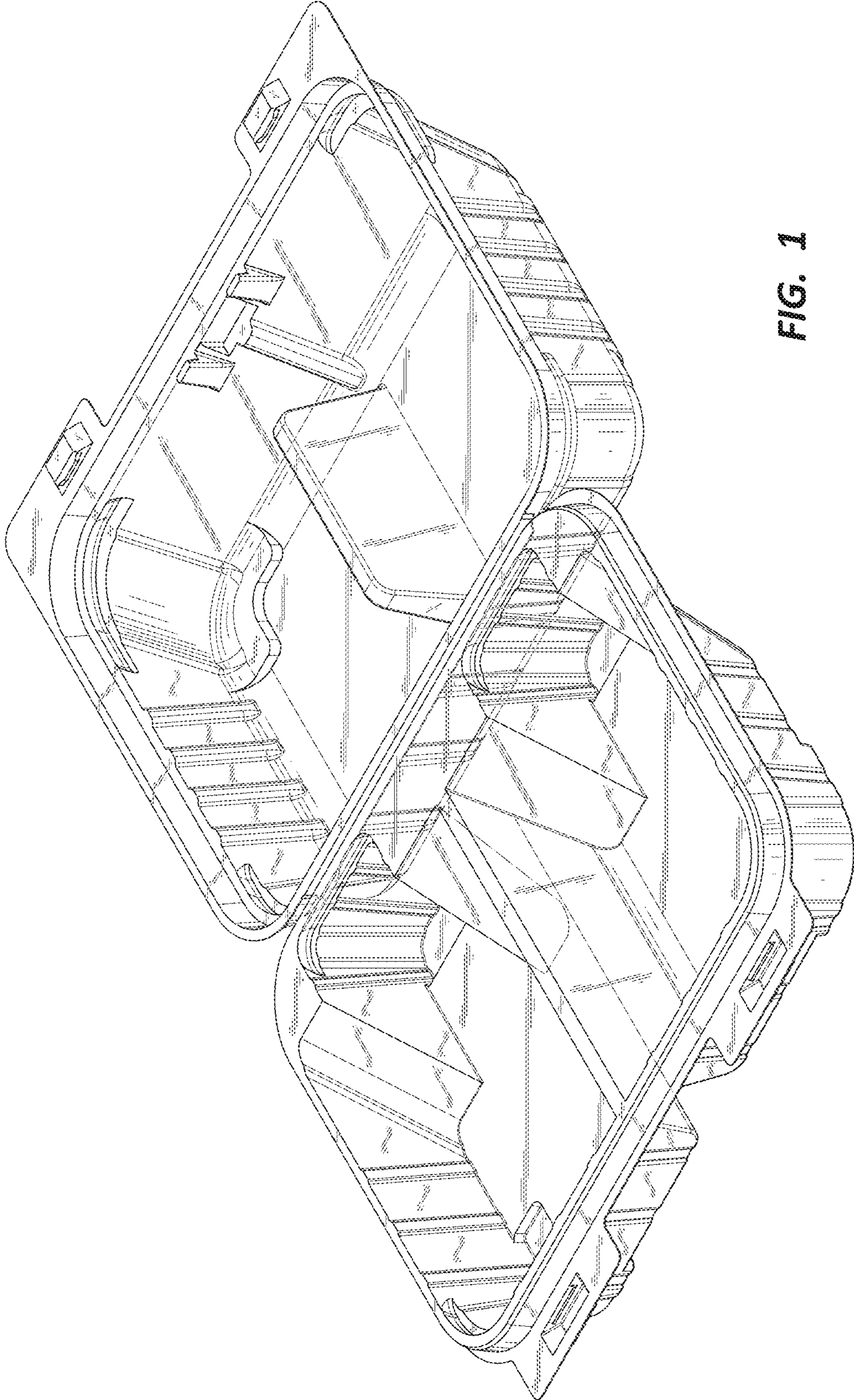


FIG. 1

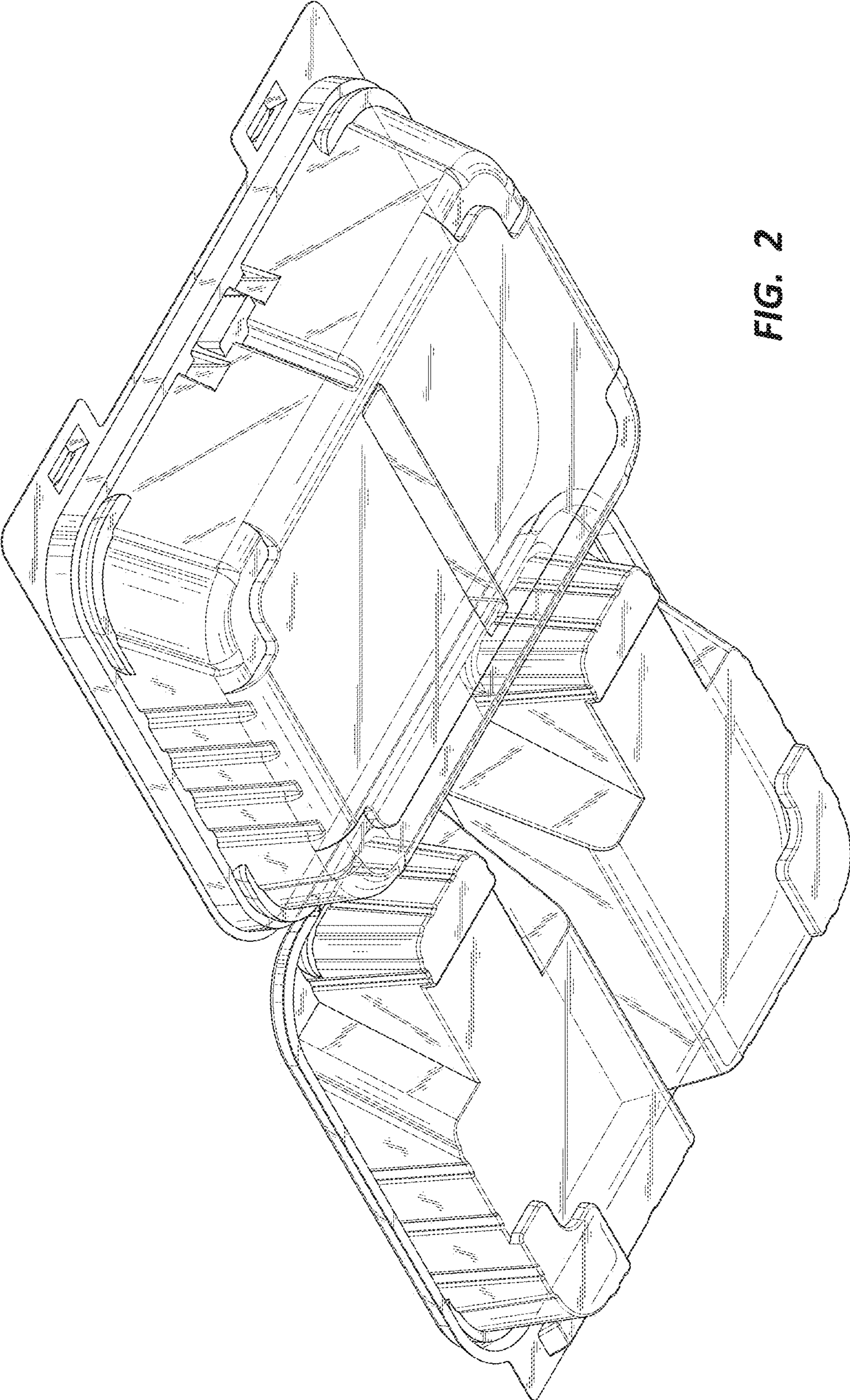


FIG. 2

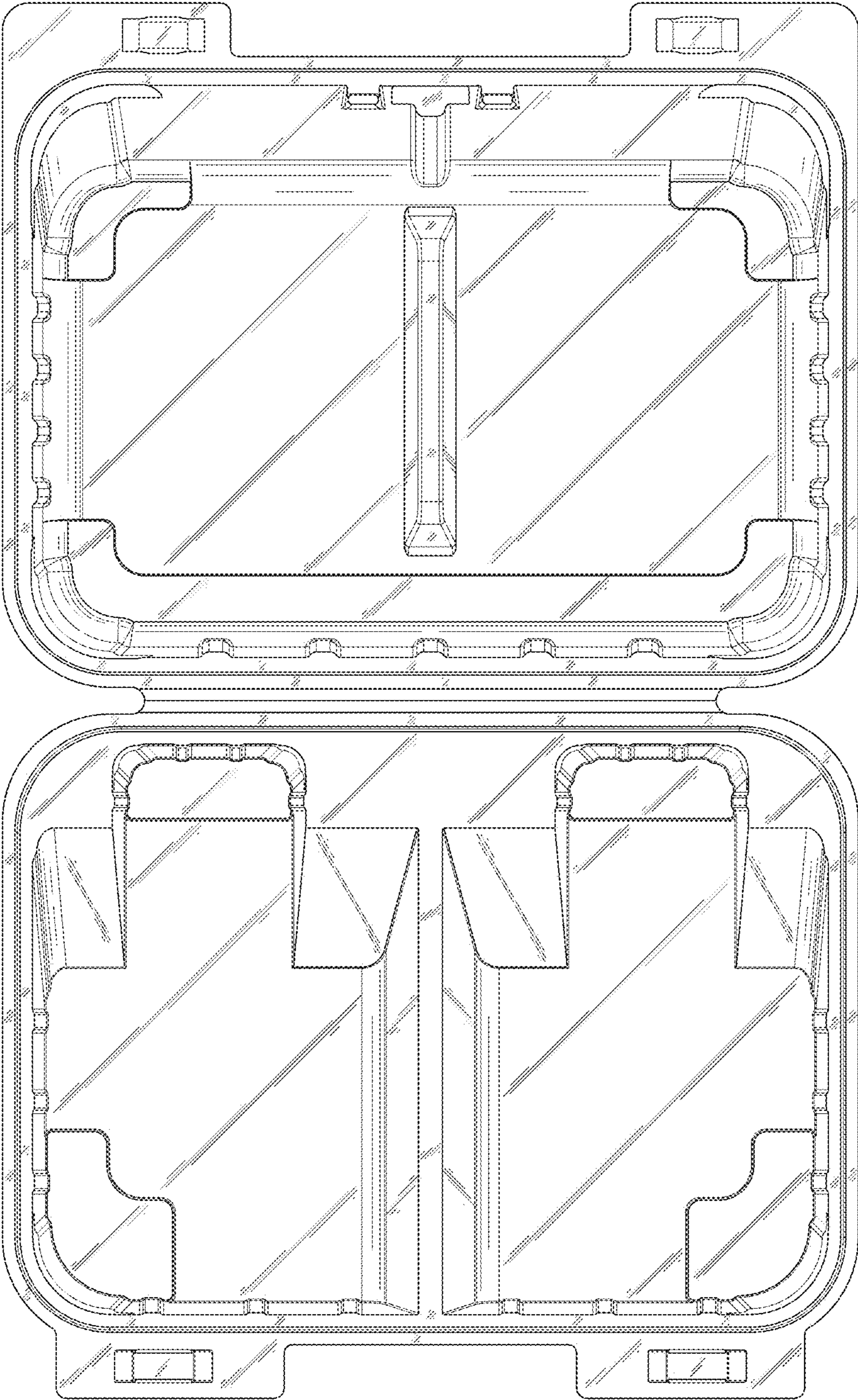


FIG. 3

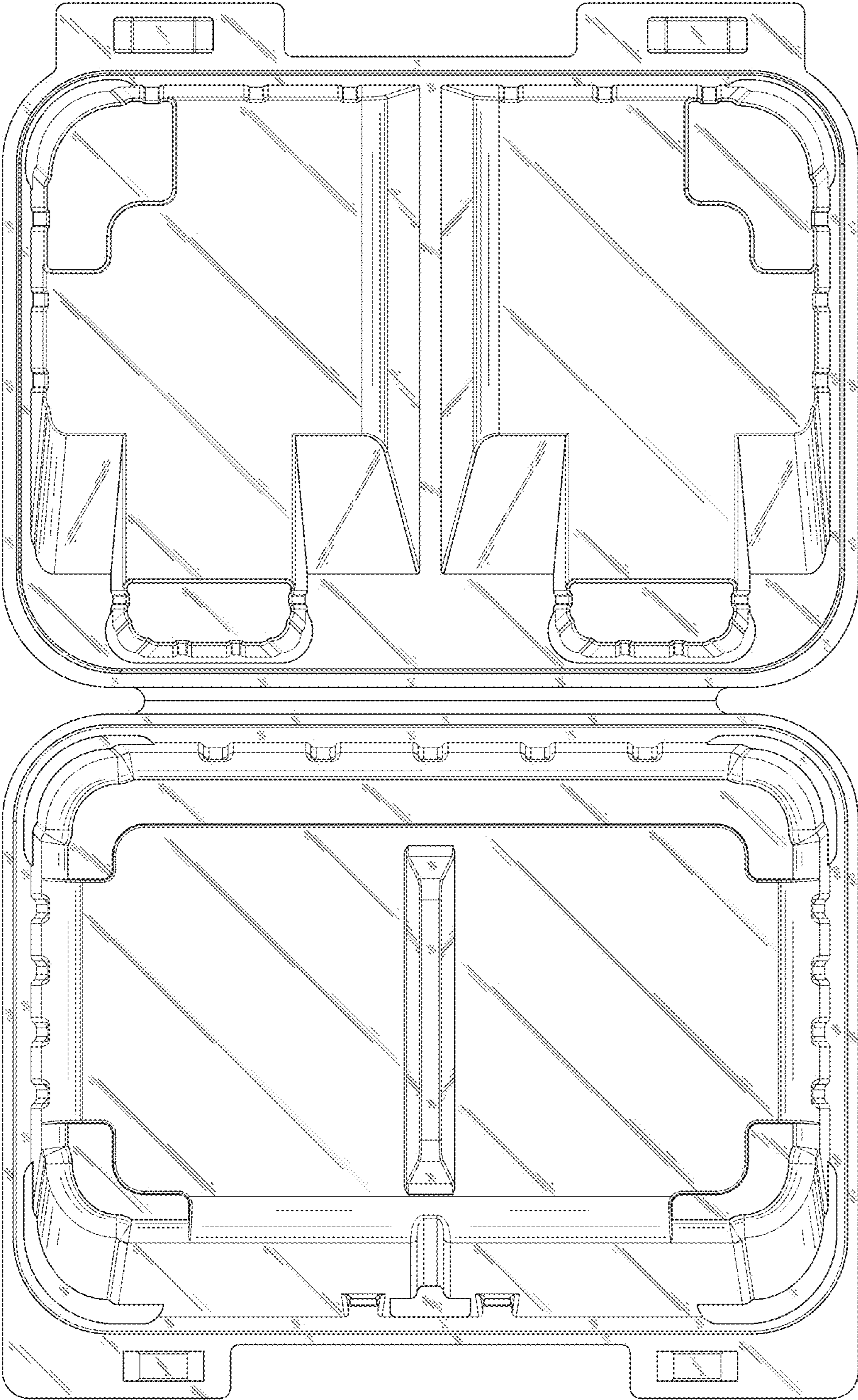


FIG. 4

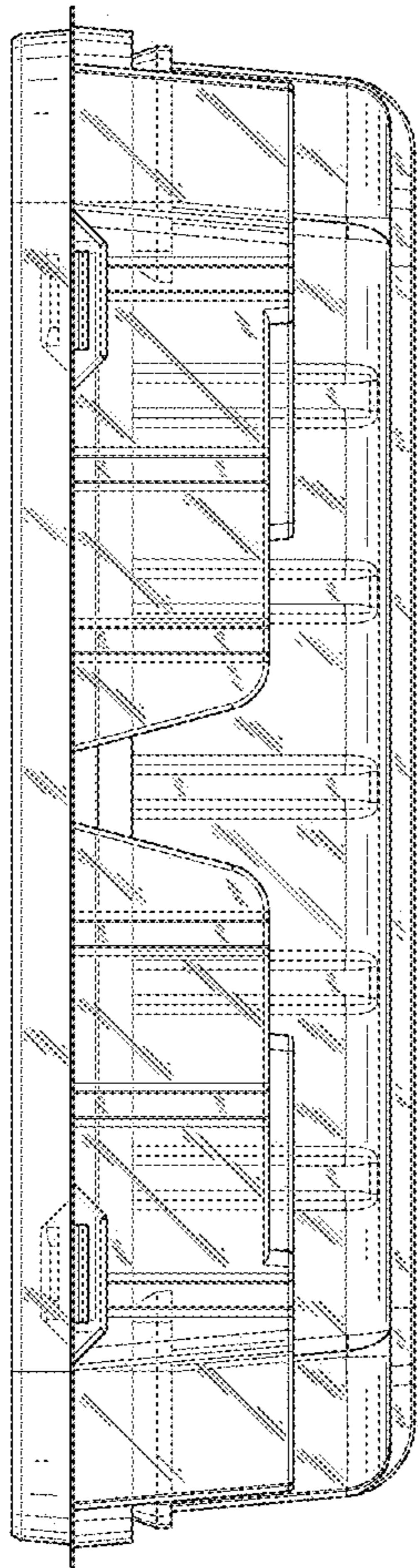


FIG. 5

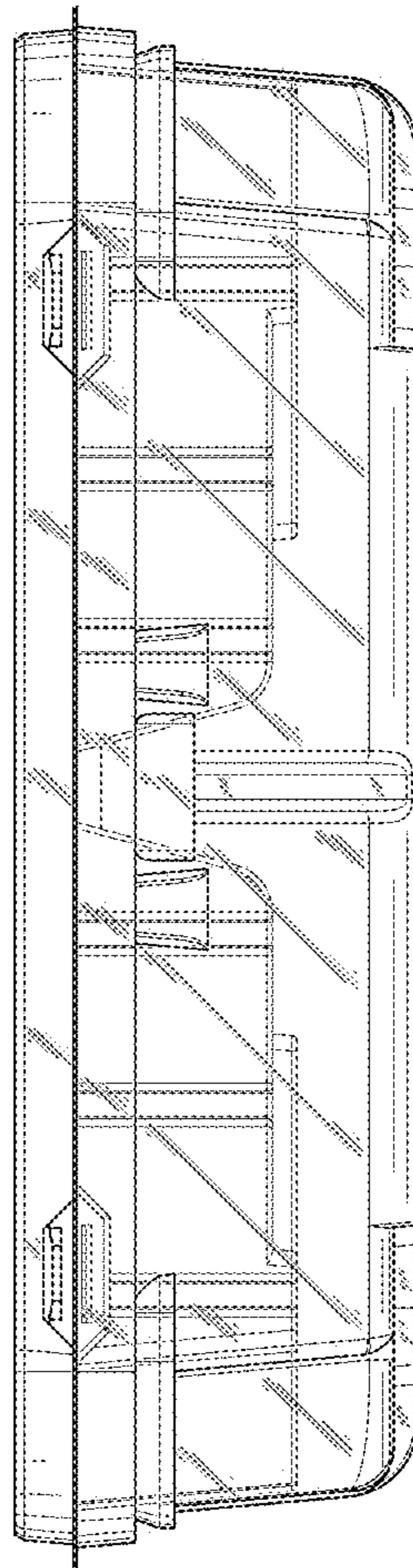


FIG. 6

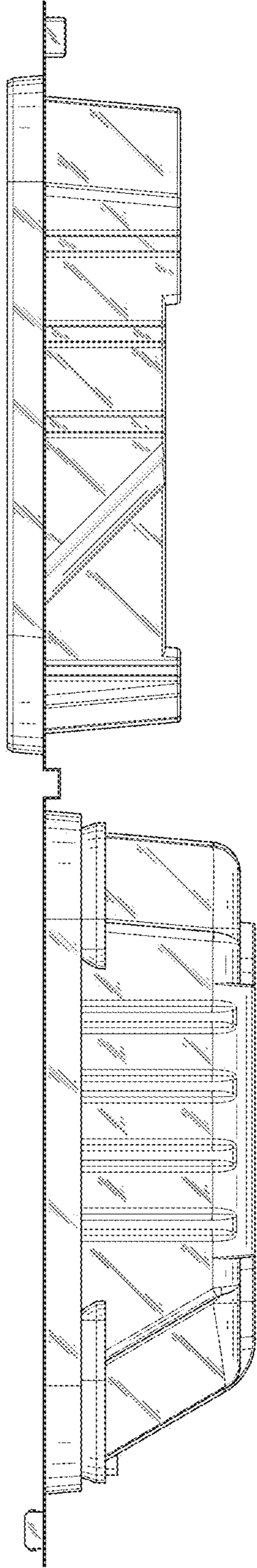


FIG. 7

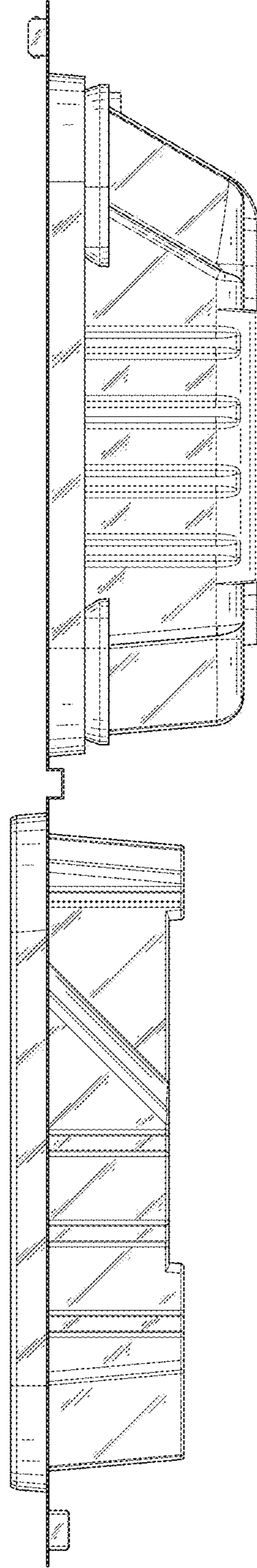


FIG. 8

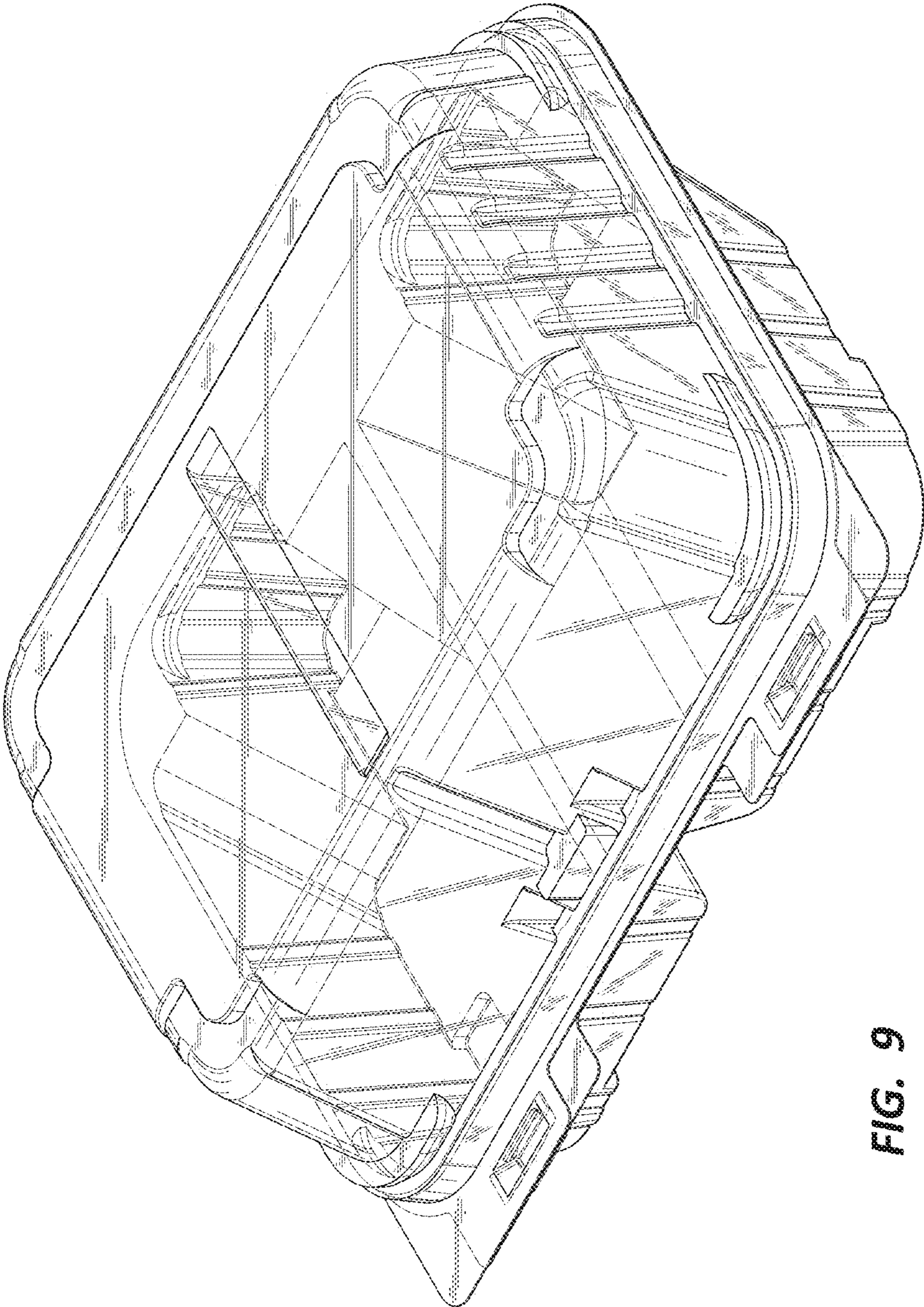


FIG. 9

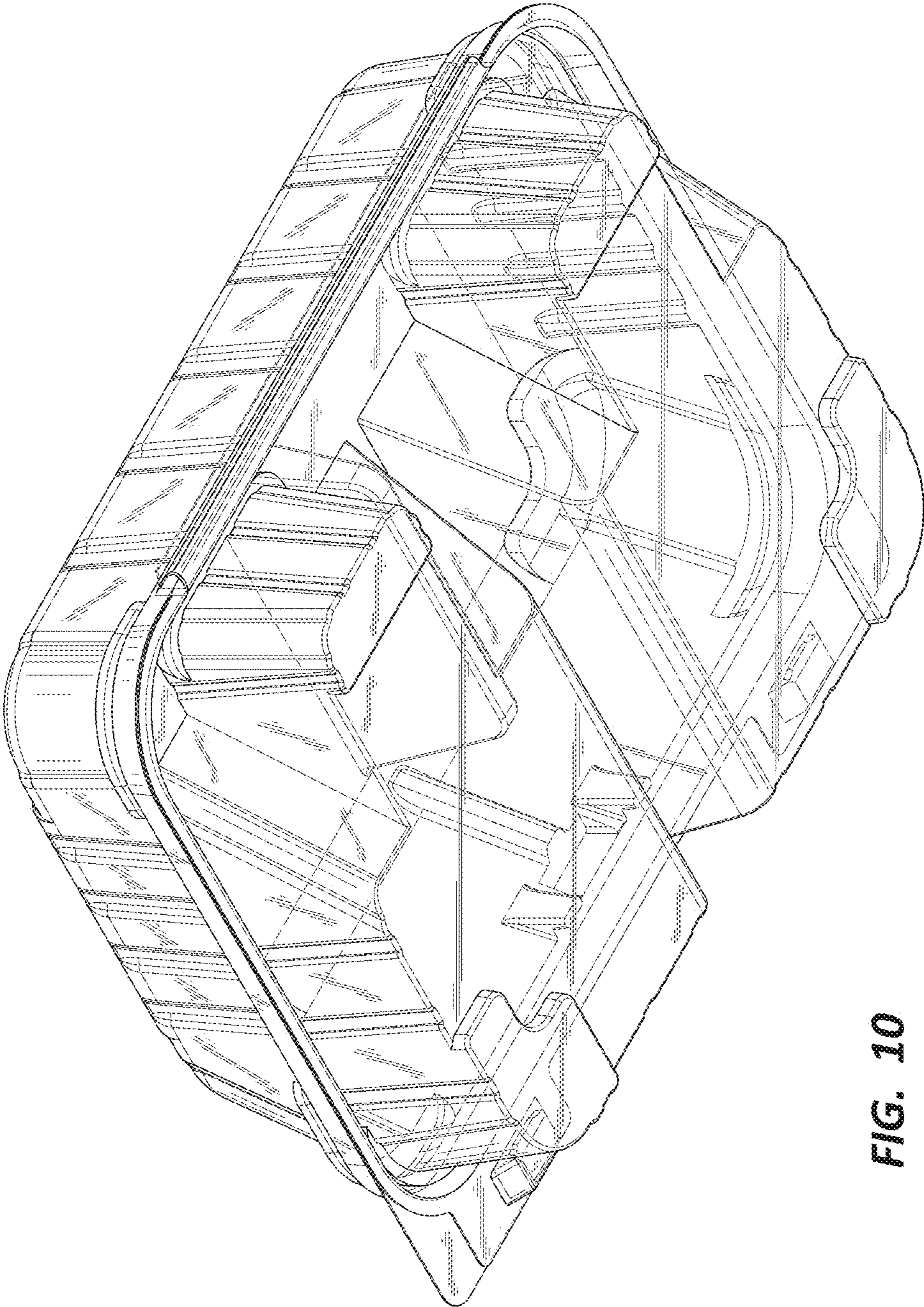


FIG. 10

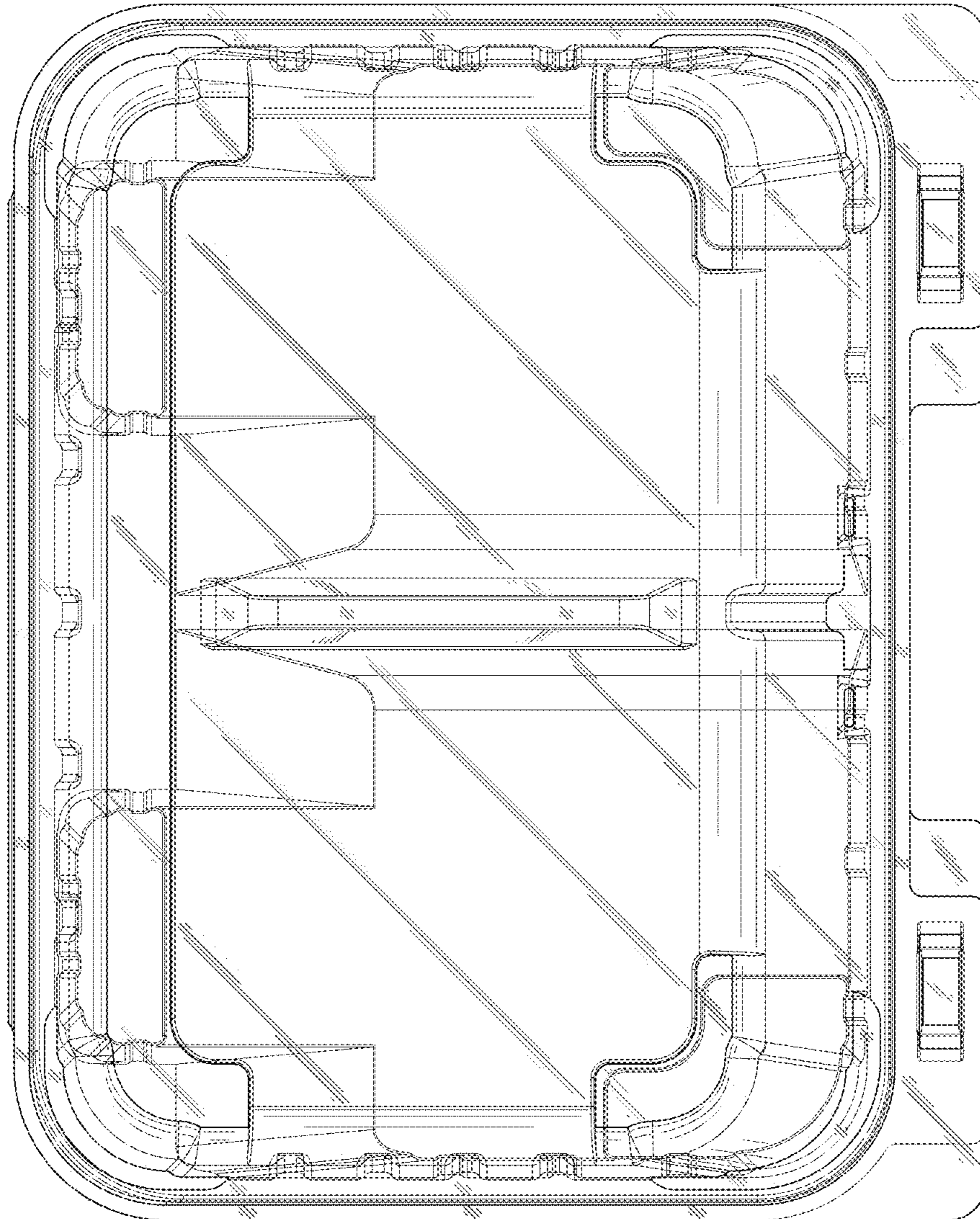


FIG. 11

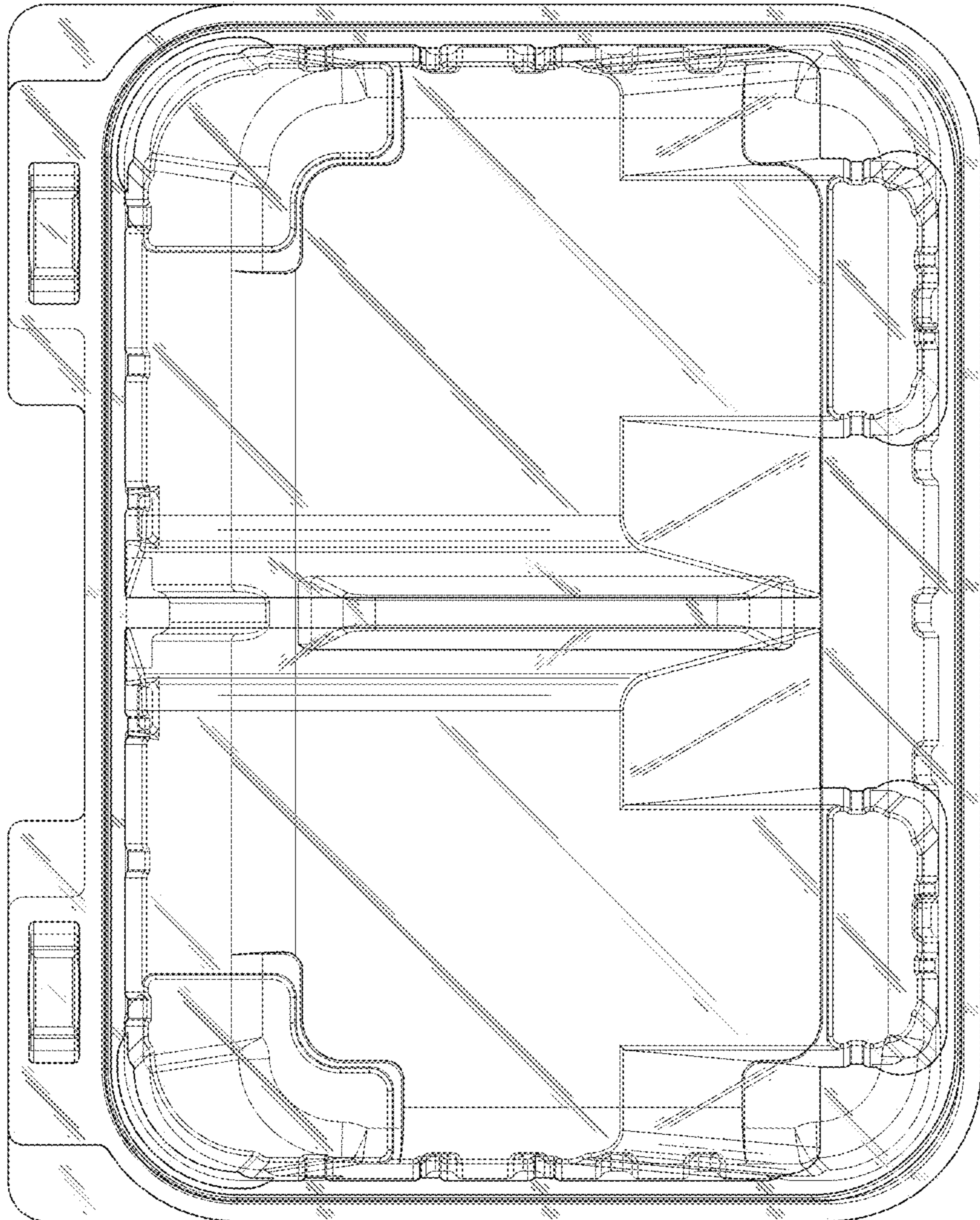


FIG. 12

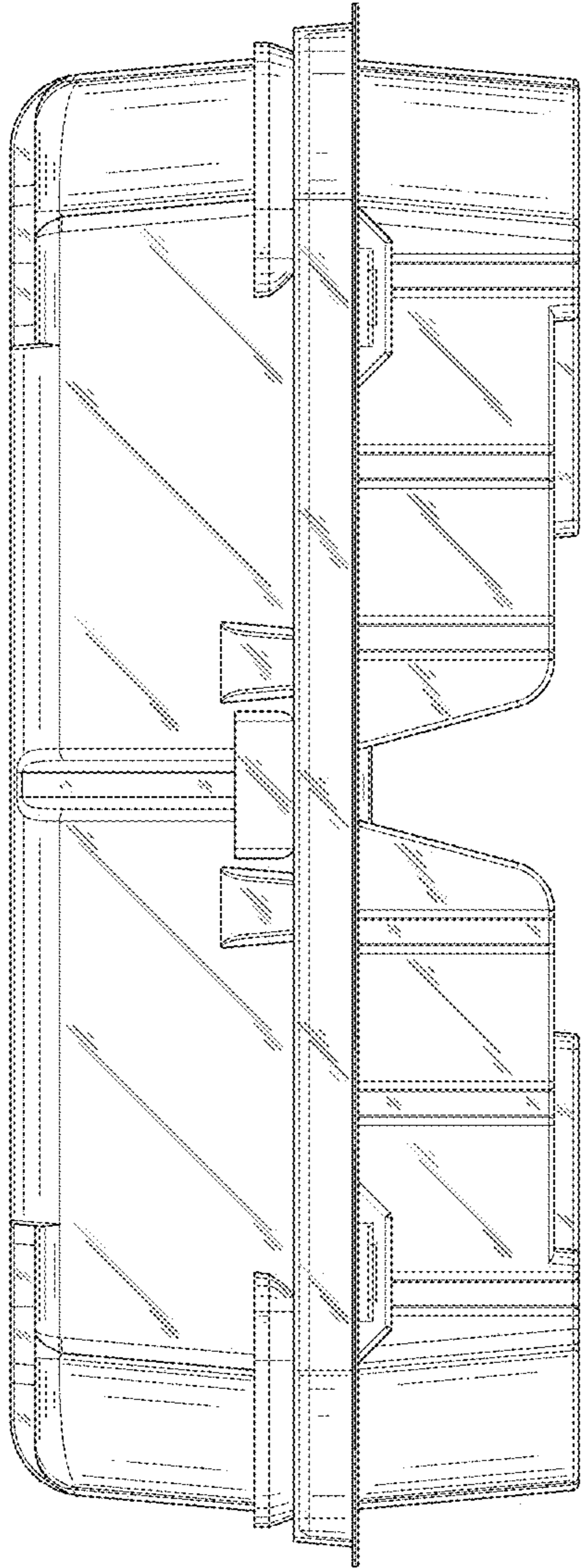


FIG. 13

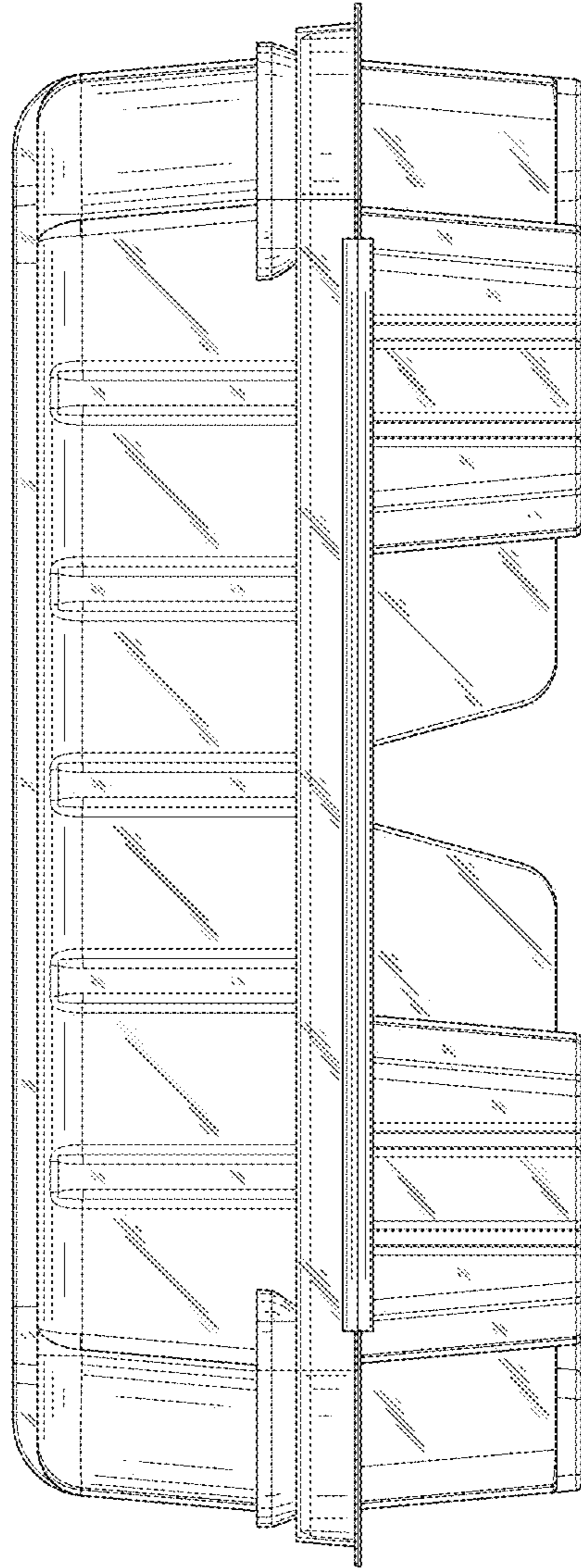


FIG. 14

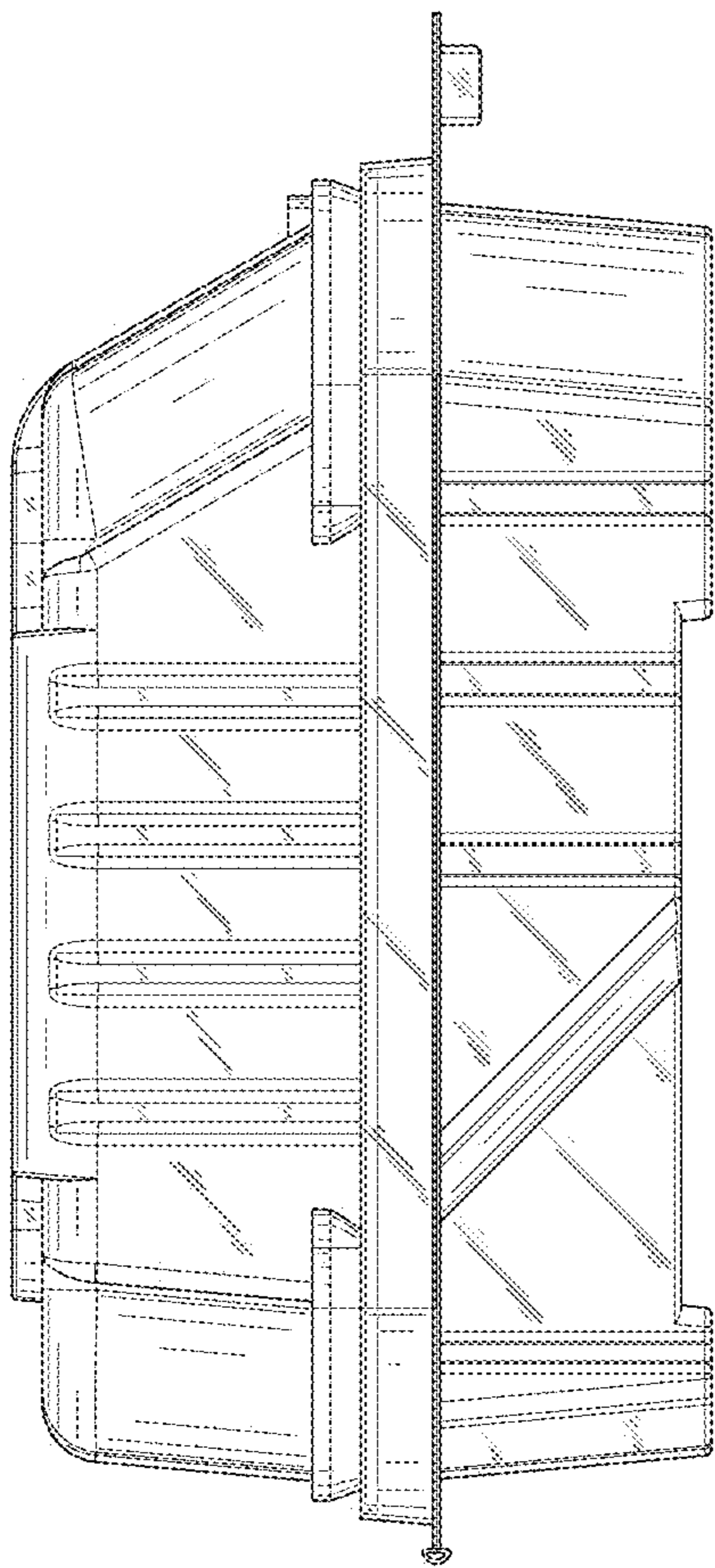


FIG. 15

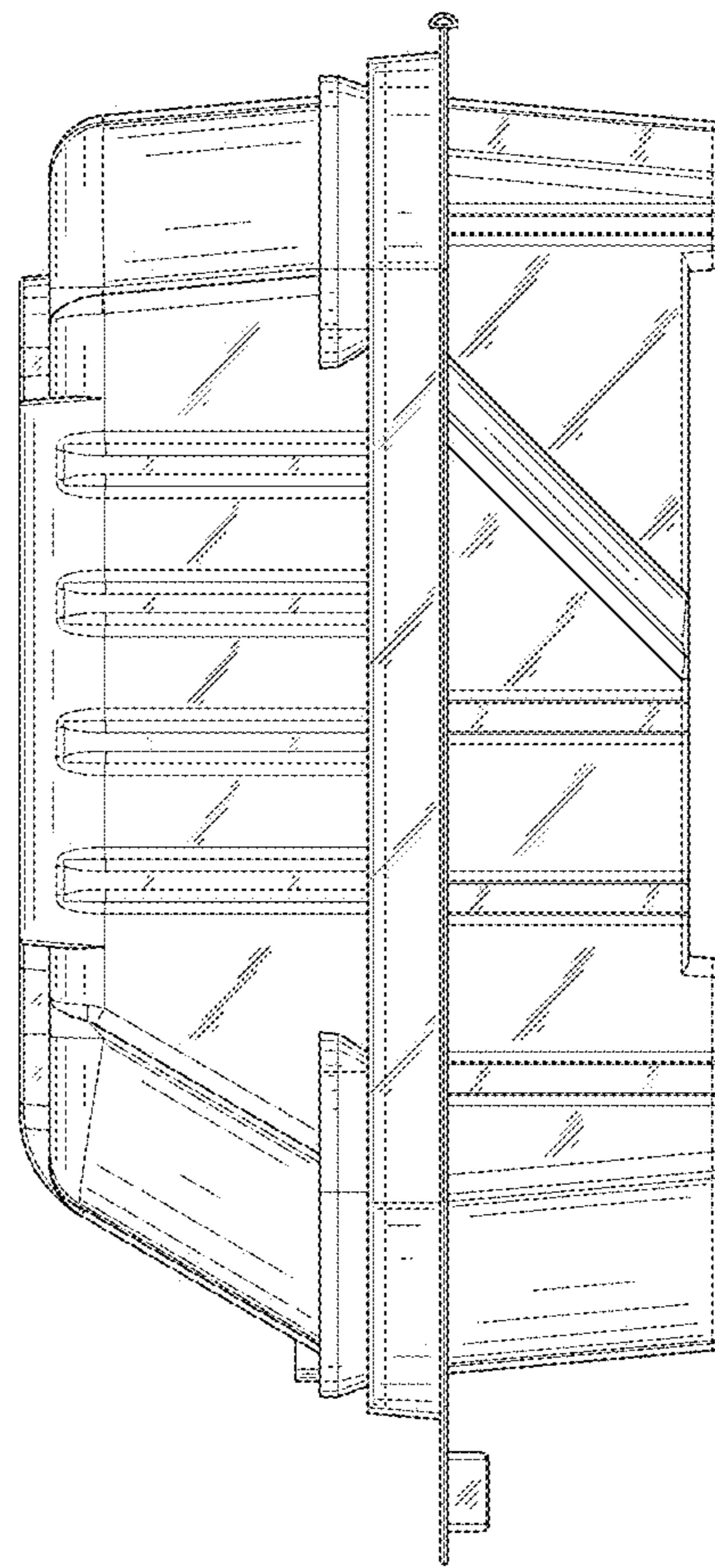


FIG. 16