

US00D981841S

(12) **United States Design Patent** (10) **Patent No.:** **US D981,841 S**
Delgado Carmona (45) **Date of Patent:** **** Mar. 28, 2023**

(54) **CLAMSHELL CONTAINER**

FOREIGN PATENT DOCUMENTS

(71) Applicant: **Dart Industries Inc.**, Orlando, FL (US)

FR 2761666 A1 * 10/1998 B65D 1/36
HK 1700250-0001 * 8/2017

(72) Inventor: **Sara L. Delgado Carmona**, Orlando, FL (US)

(Continued)

(73) Assignee: **Dart Industries Inc.**, Orlando, FL (US)

OTHER PUBLICATIONS

(**) Term: **15 Years**

Choice 6" Clear Hinged Pie Container with Low Dome Lid. Date first available: Apr. 11, 2022. Site visited: Sep. 12, 2022. Available online: <https://www.webstaurantstore.com/choice-6-clear-hinged-pie-container-with-low-dome-lid/43306LPIE25.html> (Year: 2022).*

(21) Appl. No.: **29/796,391**

(Continued)

(22) Filed: **Jun. 24, 2021**

(51) **LOC (14) Cl.** **09-03**

Primary Examiner — Catherine S Posthauer

(52) **U.S. Cl.**

Assistant Examiner — Joan E. Diehl

USPC **D9/423**

(74) *Attorney, Agent, or Firm* — Taylor J. Ross

(58) **Field of Classification Search**

USPC D9/414, 423, 424-426, 428, 432-433, D9/503, 504, 715, 737, 756, 759, 760, D9/761, 500, 501; D3/273, 201, 283, D3/284, 286, 294-295, 903; D28/78, 82, D28/83; D27/183, 189; D7/672, 601, D7/550.1, 553.1, 554.1, 554.3, 555, 557, D7/602, 615, 608, 629

CPC B65D 1/36; B65D 77/20; B65D 77/2048; B65D 77/2056; B65D 81/34; B65D 71/40; B65B 51/16; B65B 51/1622

See application file for complete search history.

(57)

CLAIM

The ornamental design for a clamshell container, as shown and described.

DESCRIPTION

FIG. 1 is a top, front and right side isometric view of a clamshell container showing my new design; FIG. 2 is a bottom, front and left side isometric view thereof; FIG. 3 is a top plan view thereof; FIG. 4 is a bottom plan view thereof; FIG. 5 is a right side elevation view thereof; FIG. 6 is a left side elevation view thereof; FIG. 7 is a front elevation view thereof; FIG. 8 is a rear elevation view thereof; FIG. 9 is a cross-sectional view taken along line 9-9 of FIG. 3; and, FIG. 10 is a cross-sectional view taken along line 10-10 of FIG. 3.

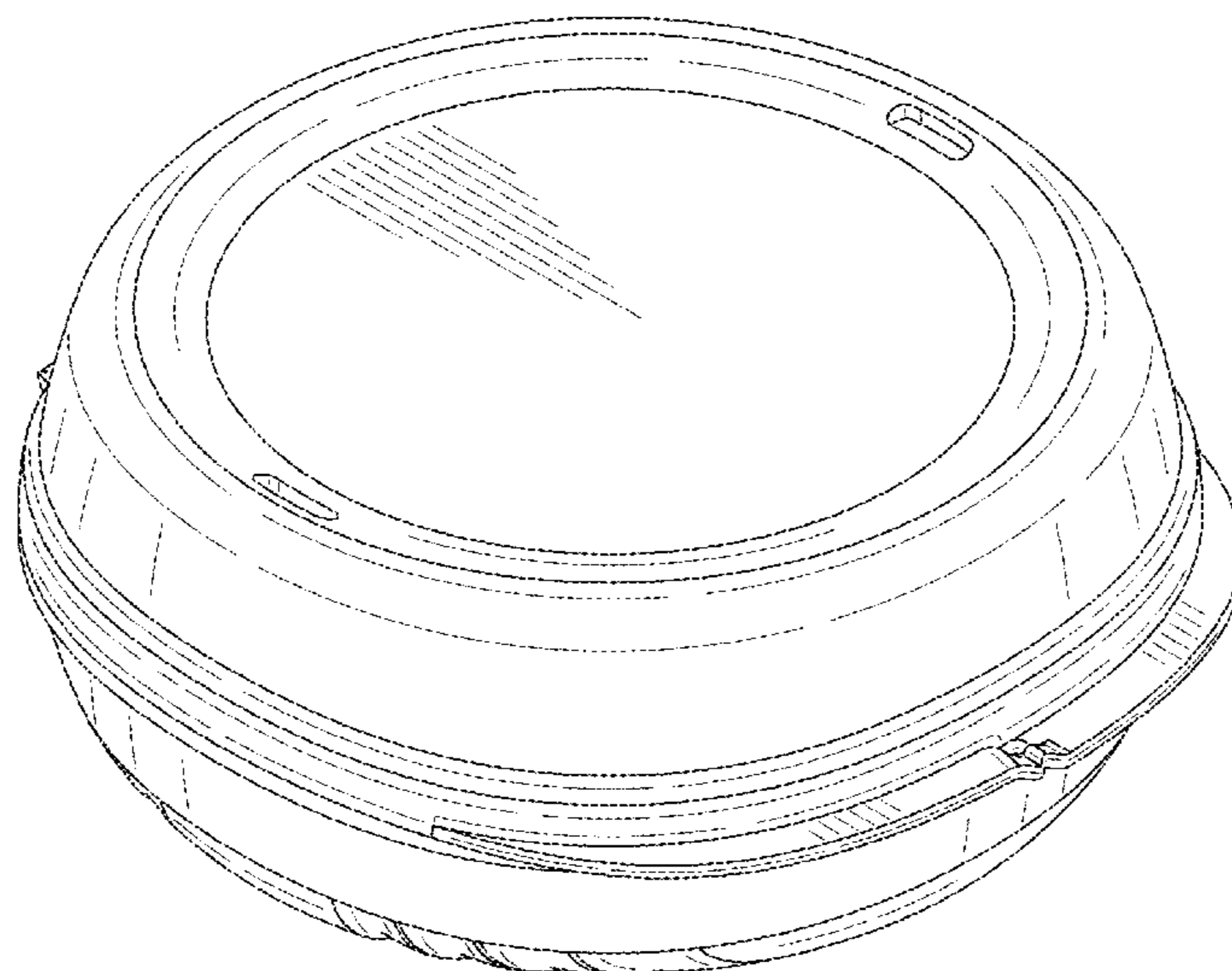
(56) **References Cited**

U.S. PATENT DOCUMENTS

D258,722 S * 3/1981 Commisso D9/423
D364,090 S * 11/1995 Krupa D9/429
D372,862 S * 8/1996 Fiori D9/428
D408,285 S * 4/1999 Favre D9/503
D408,591 S * 4/1999 Litton D28/82
D437,685 S * 2/2001 Liu D7/629
D447,917 S 9/2001 Miller et al.
D458,127 S 6/2002 de Groote
D493,105 S * 7/2004 Childs D9/425
D528,908 S * 9/2006 Faktorovich D9/424

(Continued)

1 Claim, 5 Drawing Sheets



(56)

References Cited

U.S. PATENT DOCUMENTS

D531,761 S * 11/2006 Zadeh D28/83
D556,571 S 12/2007 Jalet
D561,470 S 2/2008 Jalet
D586,557 S * 2/2009 Jalet D3/294
D626,687 S * 11/2010 Gibson D27/189
D679,198 S * 4/2013 O'Connor D9/761
D781,699 S * 3/2017 Pan D9/423
D811,872 S * 3/2018 Wu D9/428
D859,085 S * 9/2019 Delgado Carmona D7/602
D892,633 S * 8/2020 Chiang D9/761
D921,445 S * 6/2021 Lindsay D7/629

FOREIGN PATENT DOCUMENTS

JP D1440232 * 5/2012
KR 20200092831 A * 8/2020

OTHER PUBLICATIONS

Transparent Round Hinged Food Container. Date first available:
Mar. 9, 2022. Site visited: Sep. 12, 2022. Available online: https://www.amazon.com/Transparent-Containers-Cheesecake-Disposable-Restaurants/dp/B09V4HVN8T/ref=sr_1_1 (Year: 2022).*

Pizza Round Box. Date first available: Apr. 14, 2022. Site visited:
Sep. 12, 2022. Available online: <https://www.goodstartpackaging.com/pizzaround-pizza-box-14-inch-sample/> (Year: 2022).*

* cited by examiner

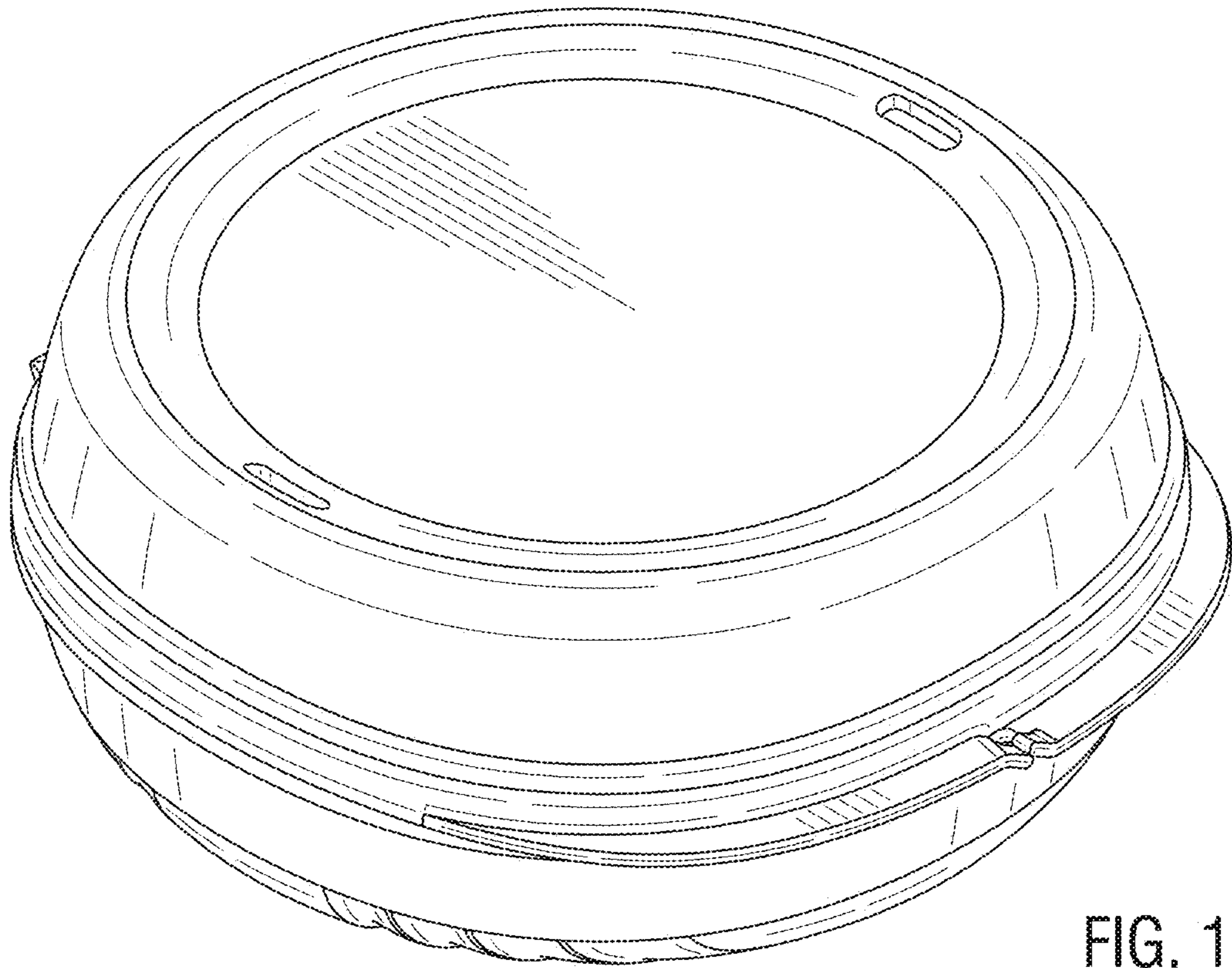


FIG. 1

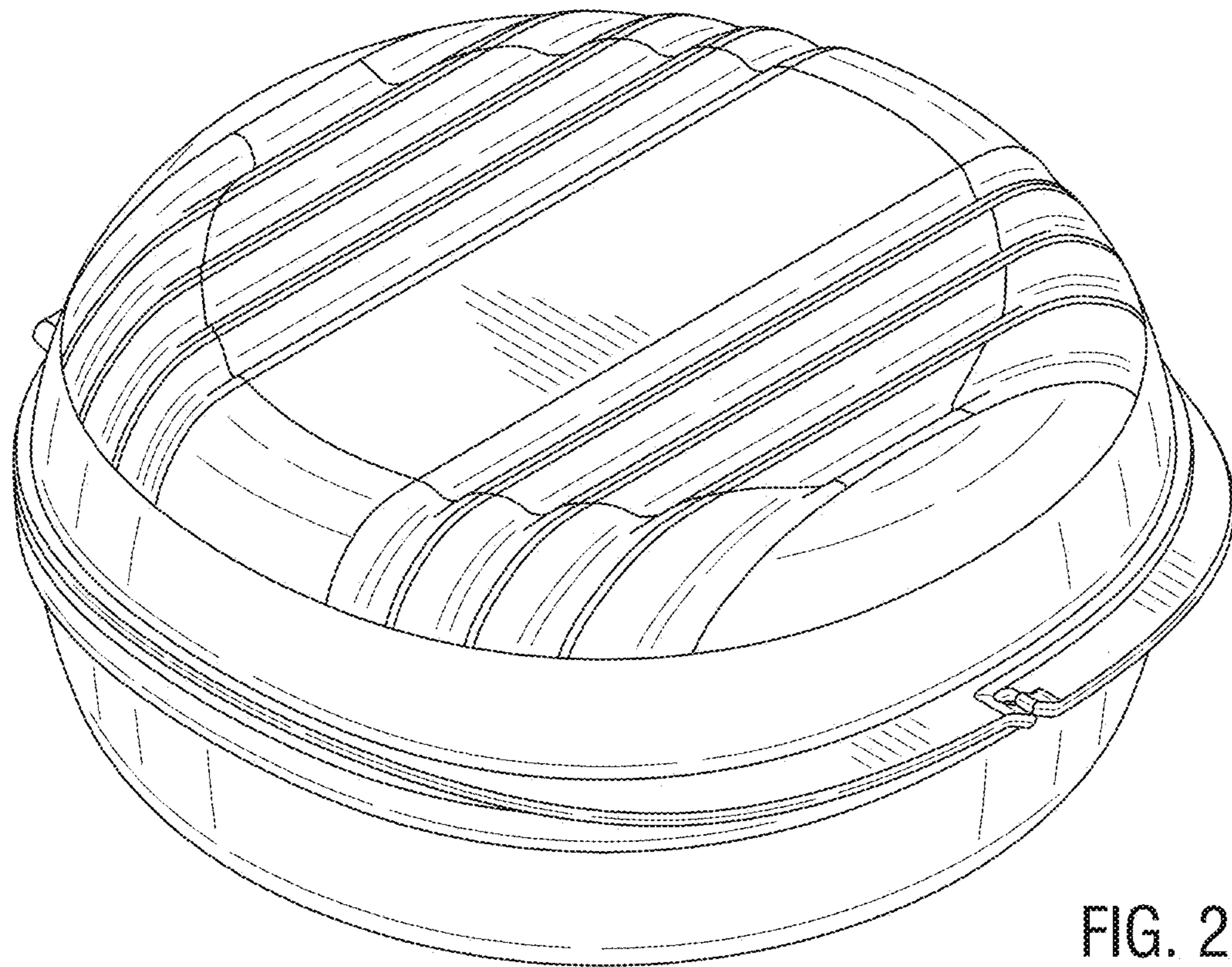


FIG. 2

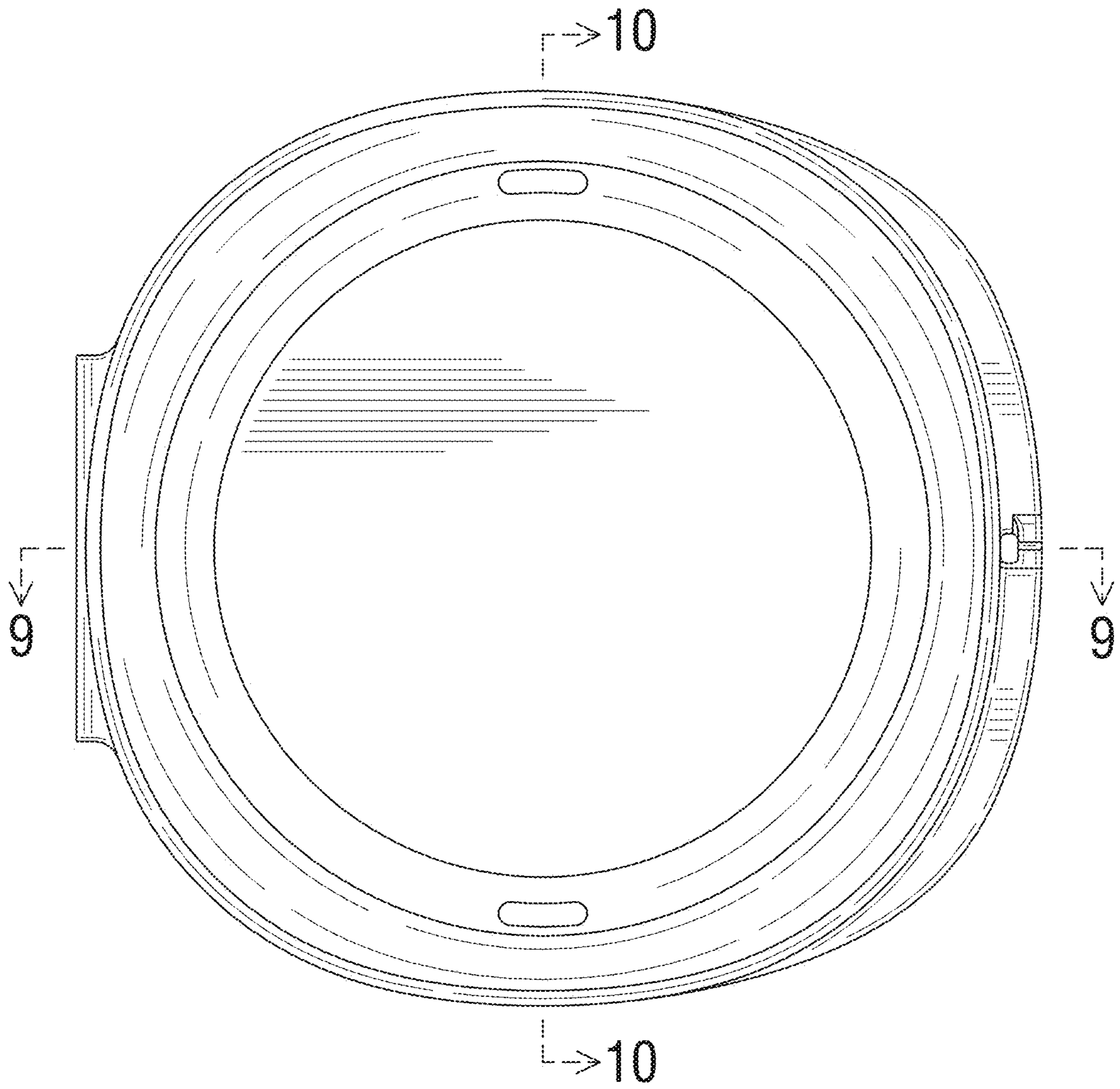


FIG. 3

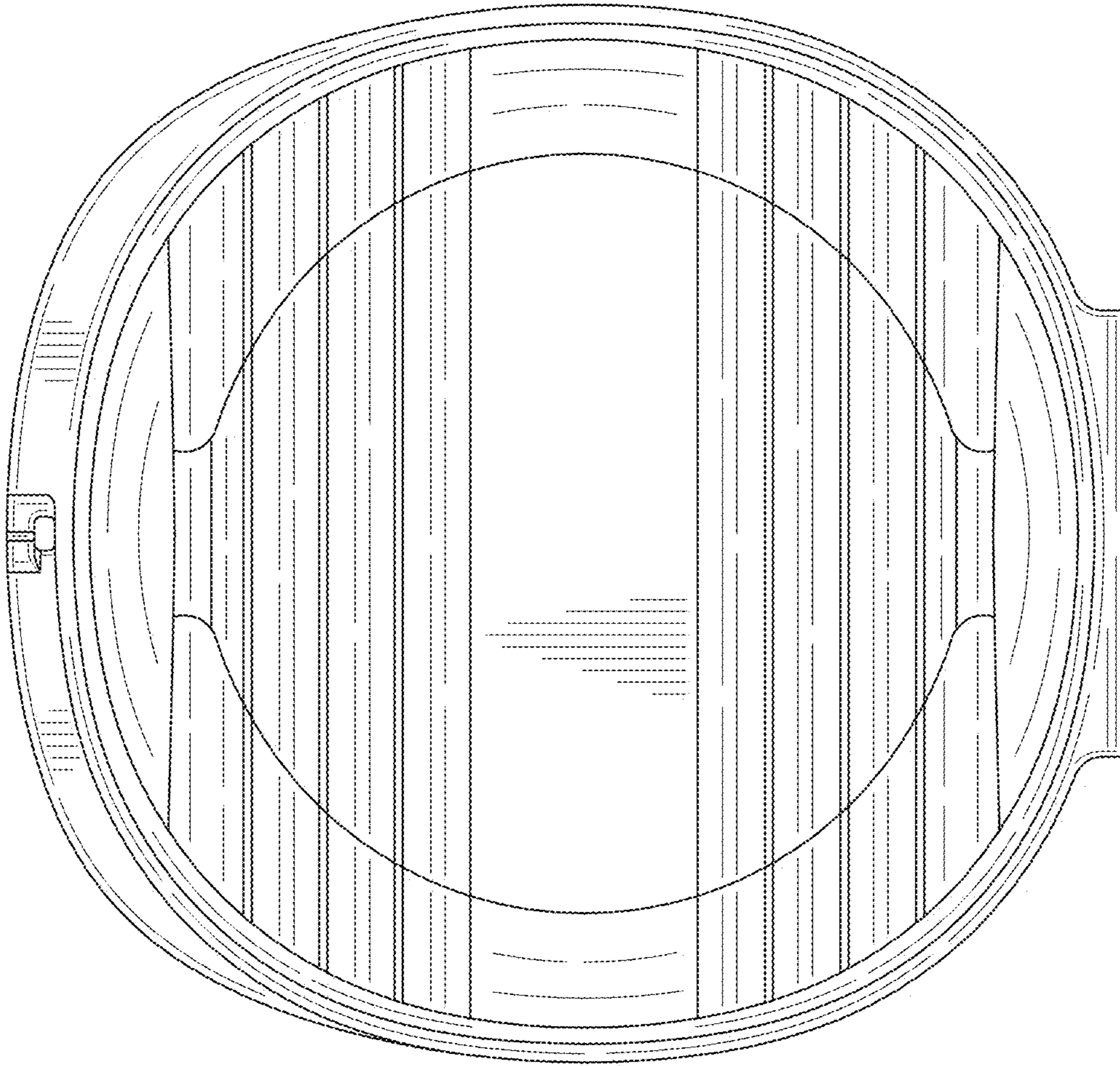


FIG. 4

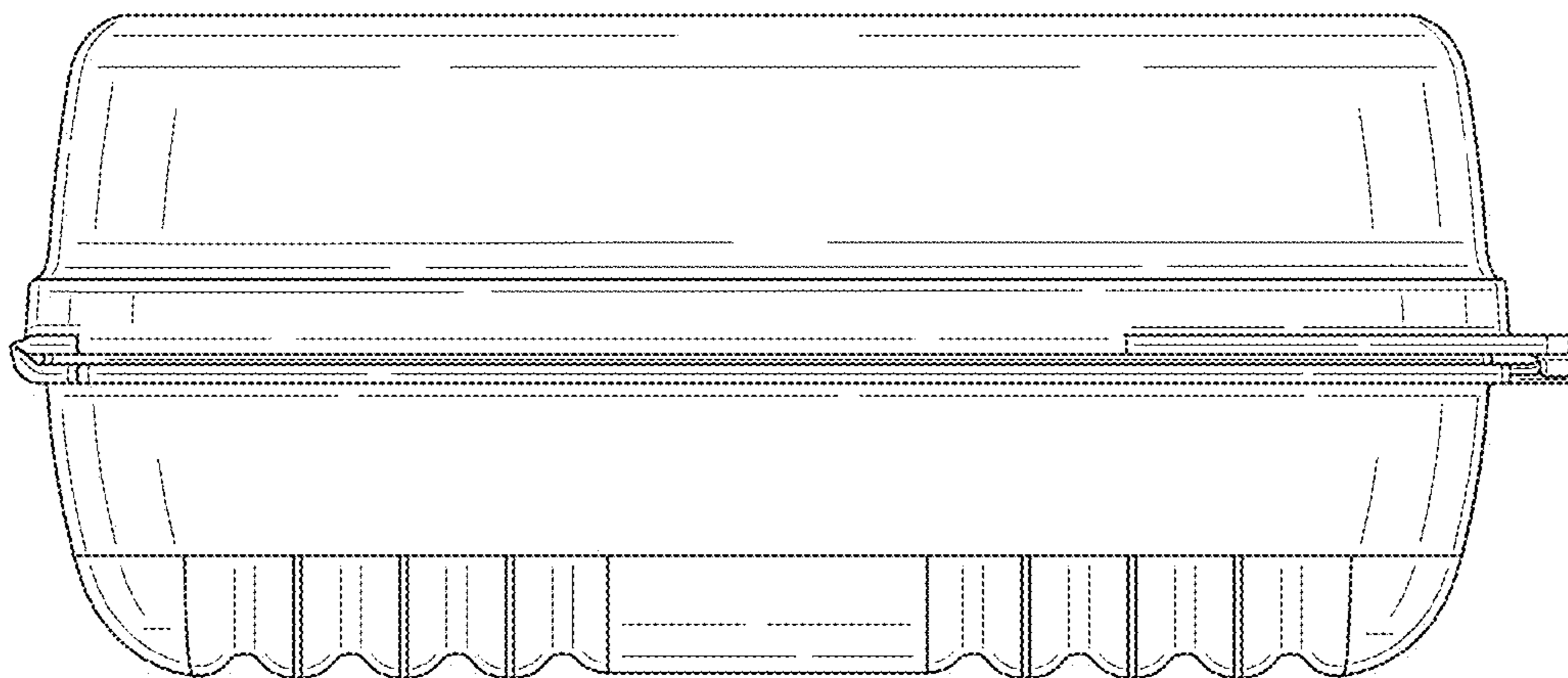


FIG. 5

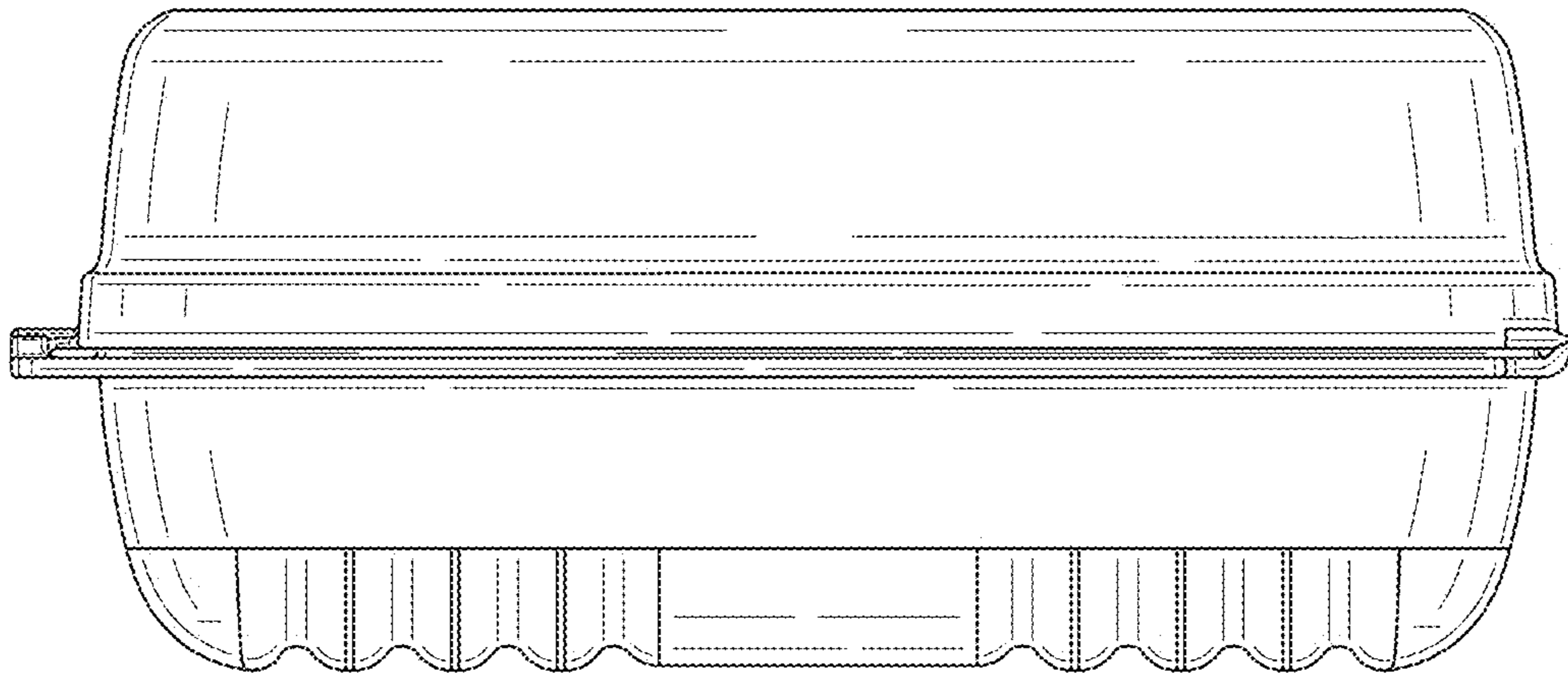


FIG. 6

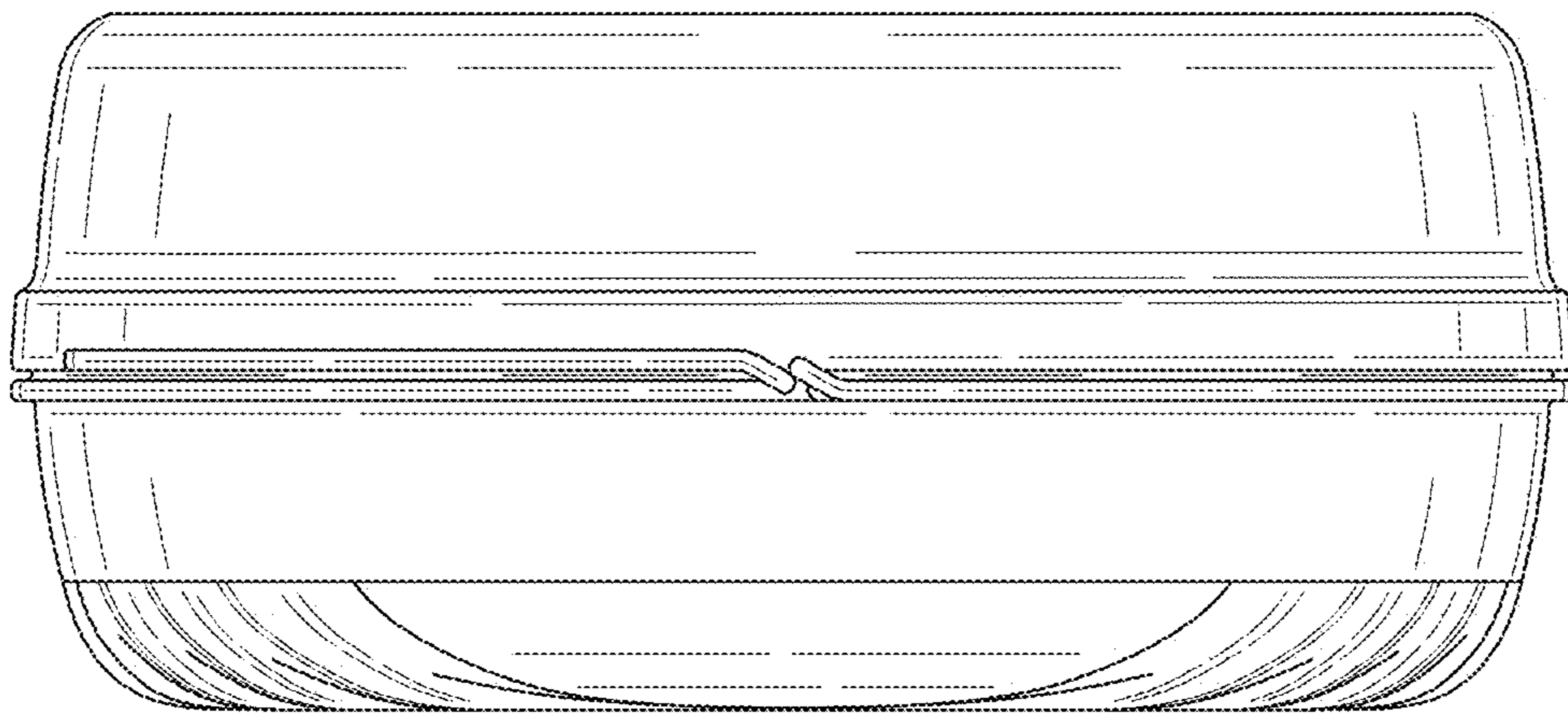


FIG. 7

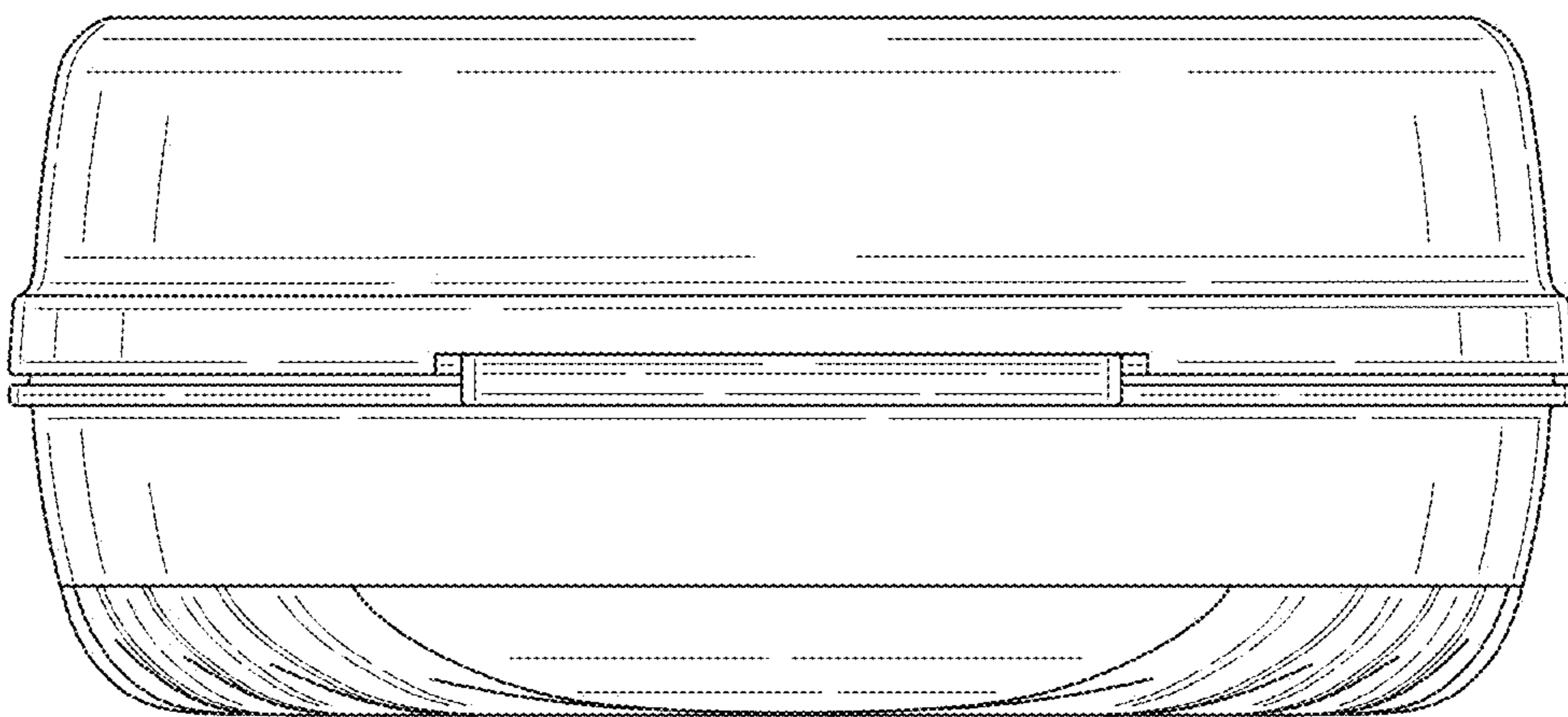


FIG. 8

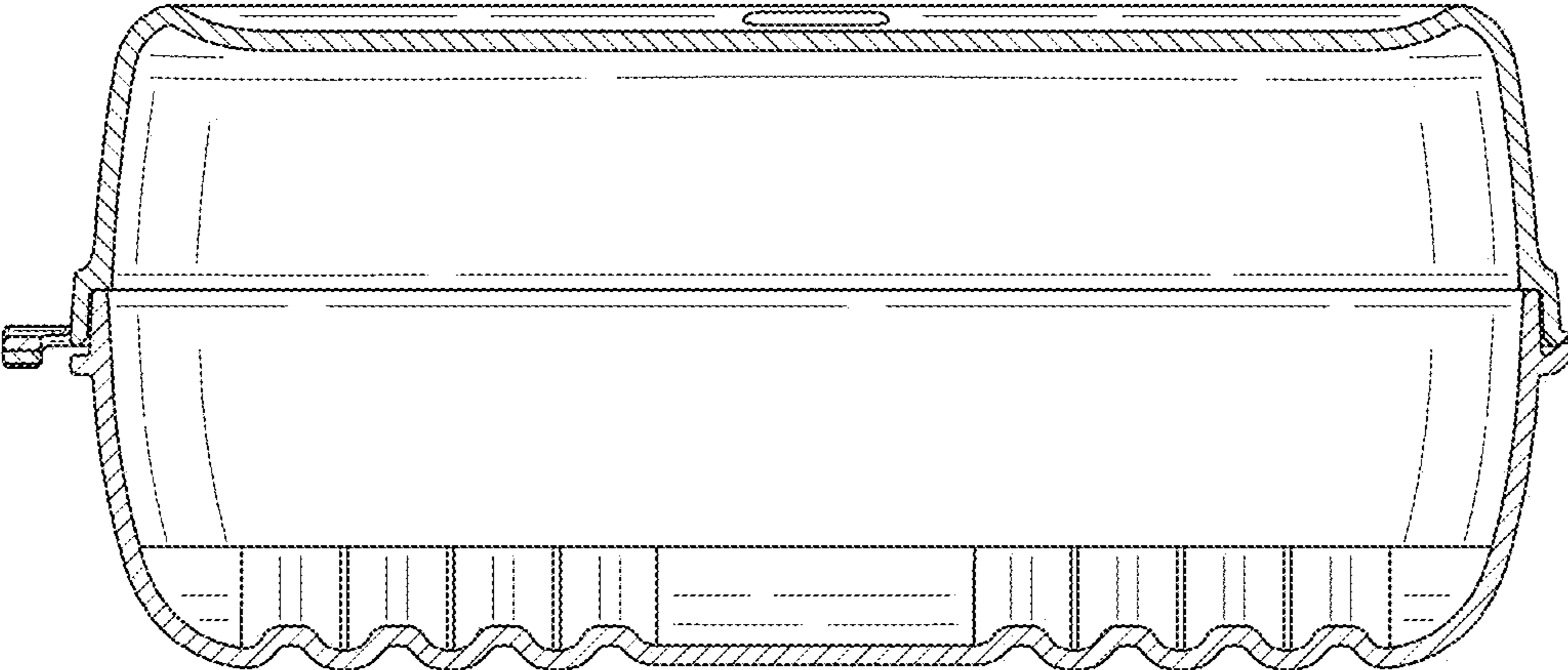


FIG. 9

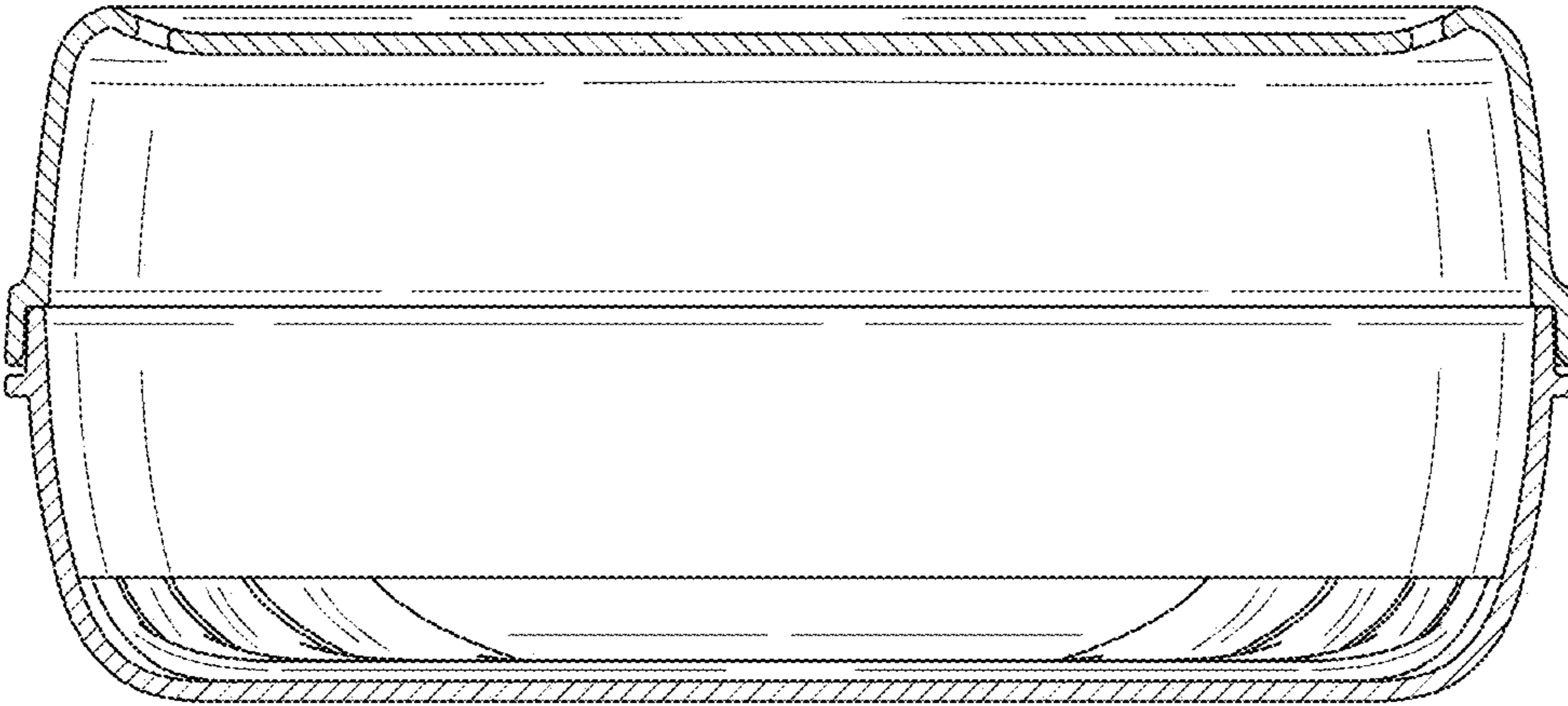


FIG. 10