

US00D981840S

(12) **United States Design Patent**  
**Jacobs**

(10) **Patent No.:** **US D981,840 S**  
(45) **Date of Patent:** **\*\* Mar. 28, 2023**

(54) **PACKAGING BOX**  
(71) Applicants: **McBride Plc**, Manchester (GB);  
**Smurfit Kappa Cartonmills SA**, Ghlin  
(BE)  
(72) Inventor: **Guy Jacobs**, Ghlin (BE)  
(\*\*) Term: **15 Years**  
(21) Appl. No.: **35/513,152**  
(22) Filed: **Dec. 3, 2021**  
(80) **Hague Agreement Data**  
Int. Filing Date: **Dec. 3, 2021**  
Int. Reg. No.: **DM/217756**  
Int. Reg. Date: **Dec. 3, 2021**  
Int. Reg. Pub. Date: **Dec. 17, 2021**

(30) **Foreign Application Priority Data**  
Jun. 4, 2021 (EM) ..... 008563498-0001  
(51) **LOC (14) Cl.** ..... **09-03**  
(52) **U.S. Cl.**  
USPC ..... **D9/416**  
(58) **Field of Classification Search**  
USPC ..... D9/414-415, 696, 428, 710, 733, 418,  
D9/707  
CPC ..... B65D 5/541; B65D 5/5435; B65D 5/0227  
See application file for complete search history.

(56) **References Cited**  
U.S. PATENT DOCUMENTS  
3,265,285 A \* 8/1966 Fanter ..... B65D 5/5435  
229/151  
D212,684 S \* 11/1968 Roccaforte ..... D9/416

3,454,212 A \* 7/1969 Elward ..... B65D 5/5435  
229/149  
D215,414 S \* 9/1969 Roccaforte ..... D9/416  
3,506,184 A \* 4/1970 Barnes ..... B65D 5/0227  
206/813  
D293,211 S \* 12/1987 DePaul ..... D9/416  
D304,299 S \* 10/1989 Sakamoto ..... D9/707  
D310,633 S \* 9/1990 DePaul ..... D9/416  
D310,784 S \* 9/1990 Forbes, Jr. .... D9/416  
D310,785 S \* 9/1990 Forbes, Jr. .... D9/416  
D379,759 S \* 6/1997 Mulry ..... D9/418  
D411,104 S \* 6/1999 Simile-Gravina ..... D9/733  
D413,802 S \* 9/1999 Glover ..... D9/416  
D431,462 S \* 10/2000 Menaged ..... D9/416  
D436,860 S \* 1/2001 Raso ..... D9/707  
D445,673 S \* 7/2001 Richardson ..... D9/710  
D463,275 S \* 9/2002 Garcia ..... D9/696  
D487,698 S \* 3/2004 Rasmussen ..... D9/696  
D495,953 S \* 9/2004 Miller ..... D9/418  
D496,269 S \* 9/2004 Hutchinson ..... D9/416  
D503,614 S \* 4/2005 Sax ..... B65D 5/541  
D9/418  
D520,357 S \* 5/2006 Terrasi ..... D9/428  
D548,583 S \* 8/2007 Carmichael ..... D9/416  
D764,903 S \* 8/2016 Sanfilippo ..... D9/416  
D820,078 S \* 6/2018 Uematsu ..... D9/416

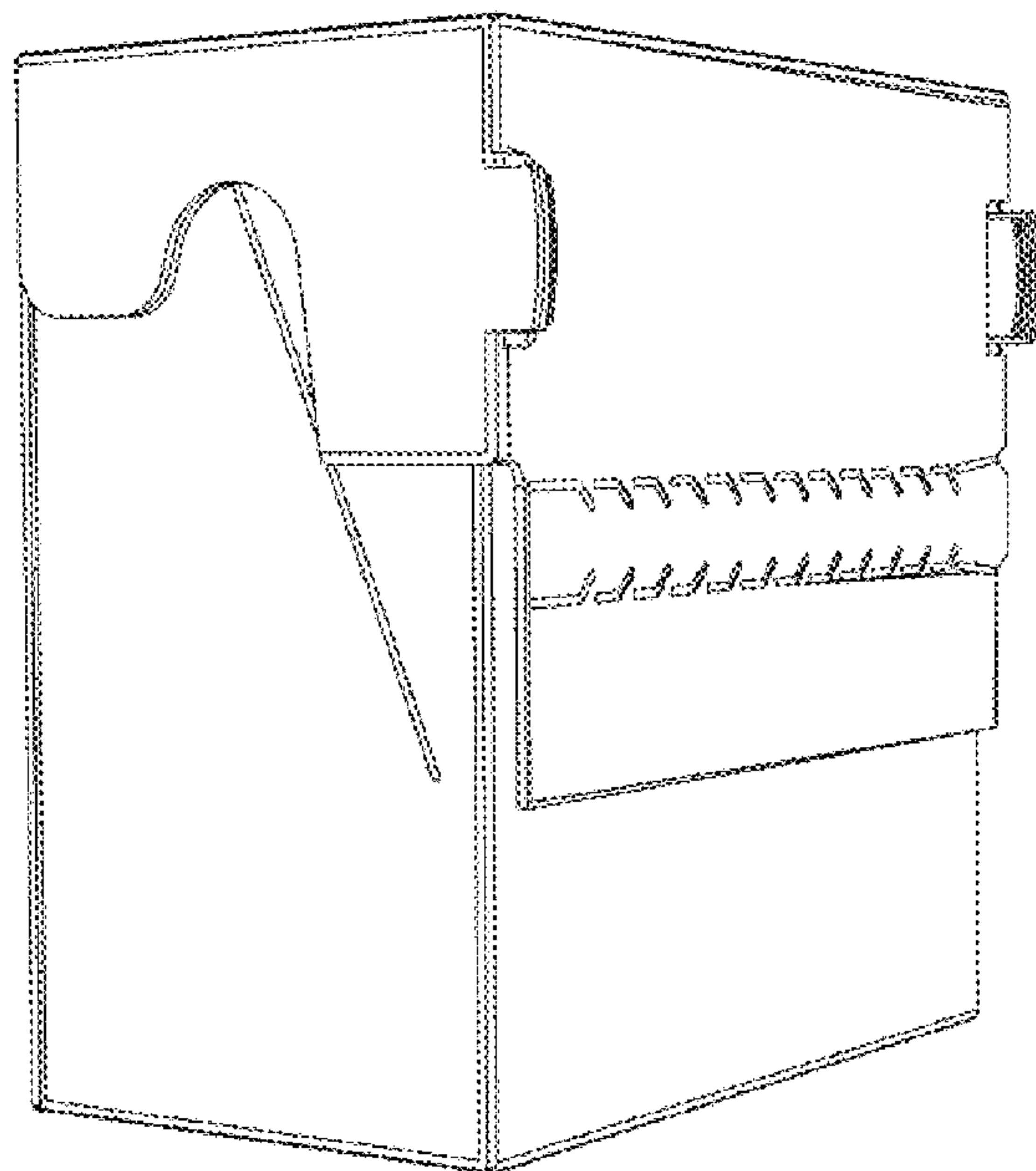
\* cited by examiner  
*Primary Examiner* — Rhea Shields

(57) **CLAIM**  
The ornamental design for a packaging box, as shown and described.

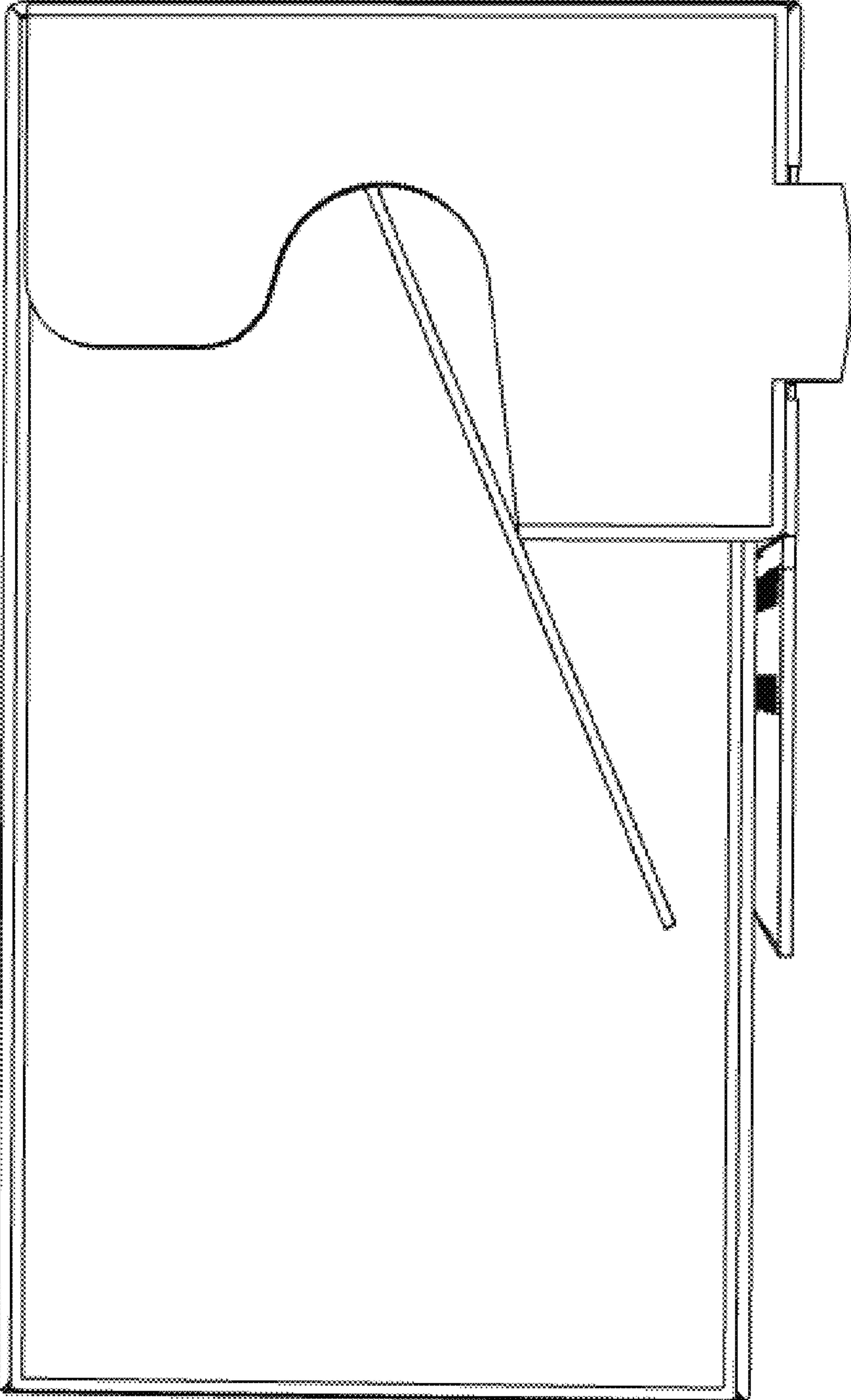
**DESCRIPTION**

- 1.1 is a side view;
- 1.2 is a side view;
- 1.3 is a top view;
- 1.4 is a perspective view;
- 1.5 is a perspective view;
- 1.6 is a front view.

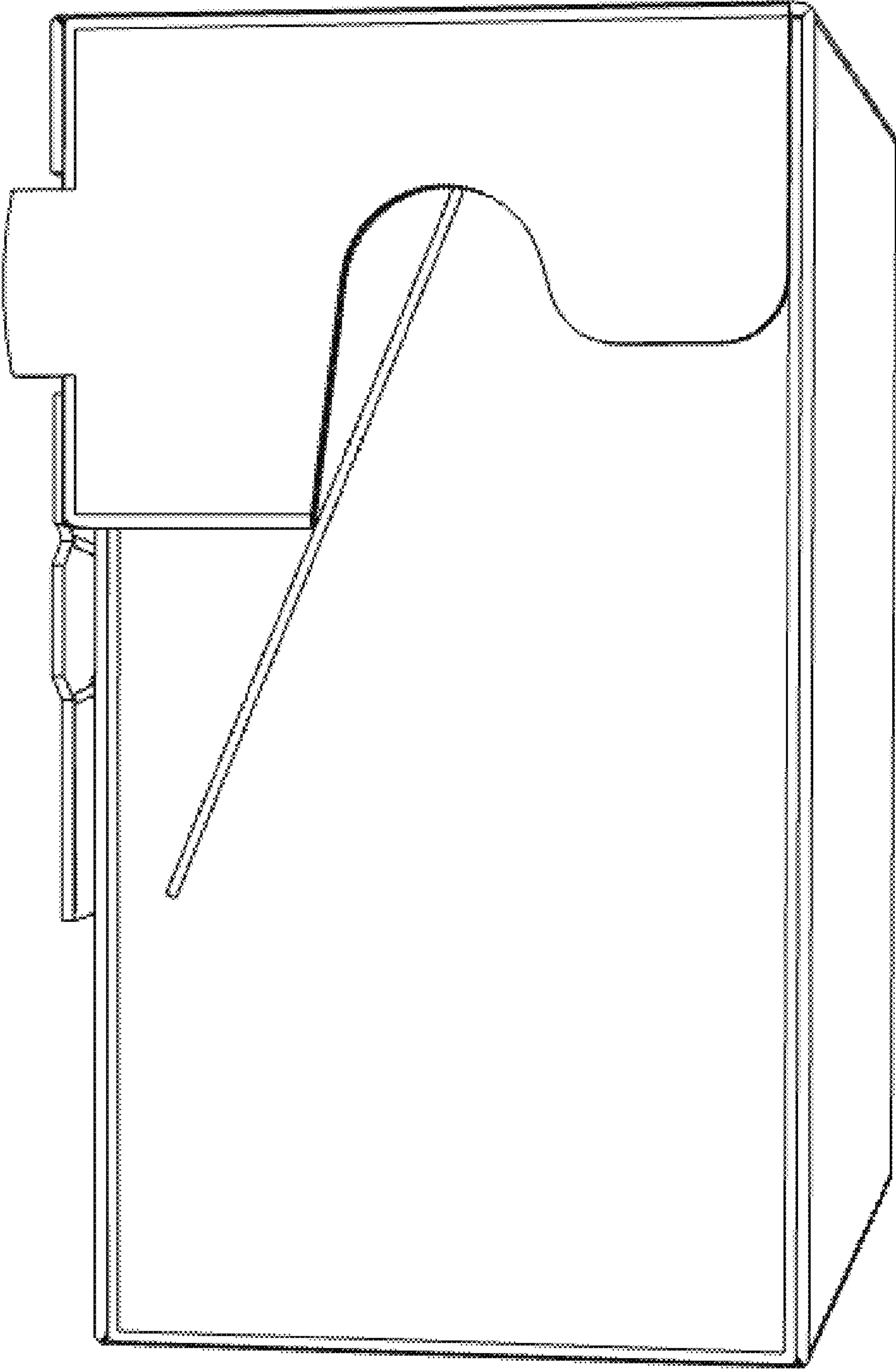
**1 Claim, 6 Drawing Sheets**



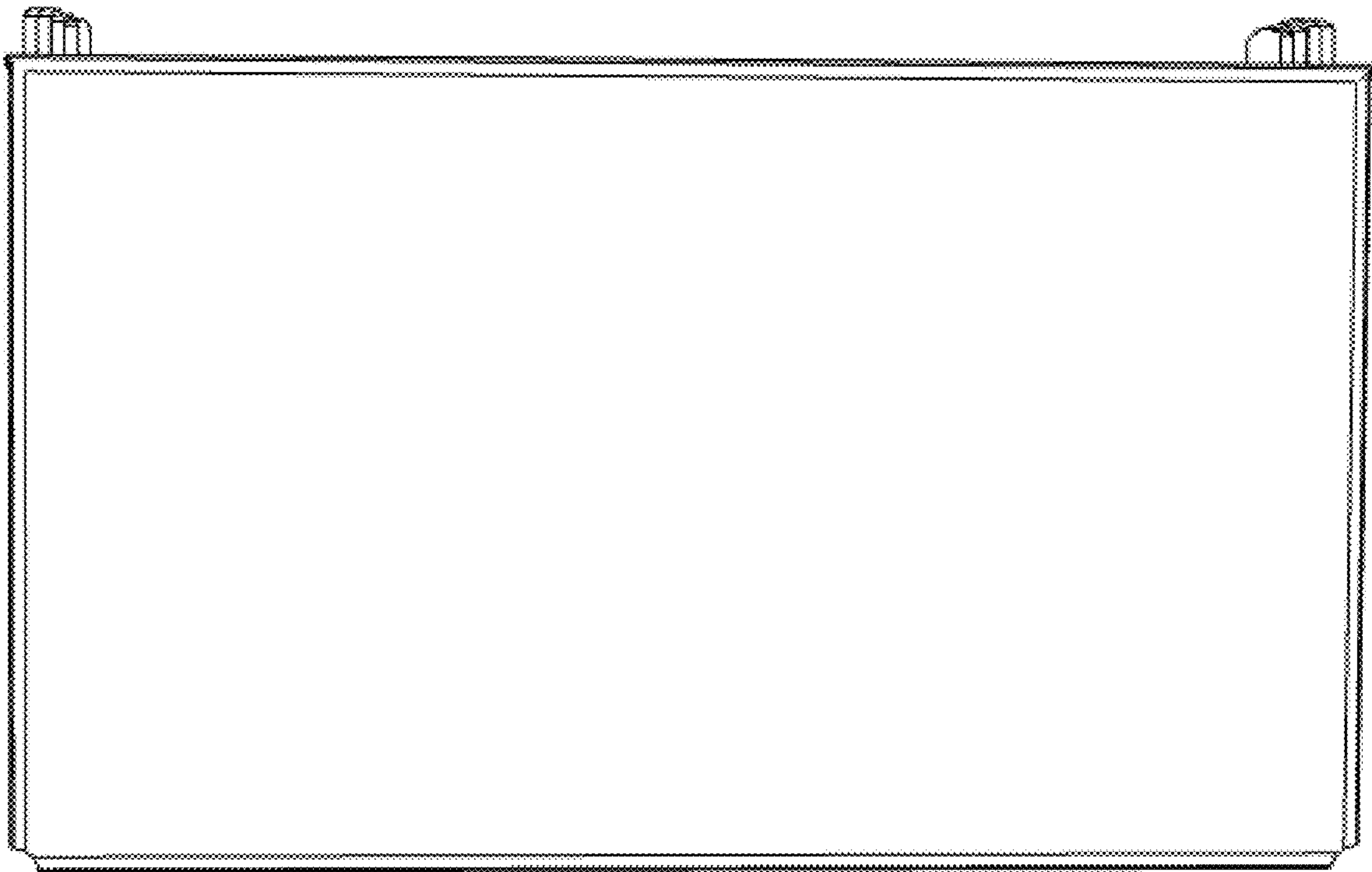
**1.1**



# 1.2

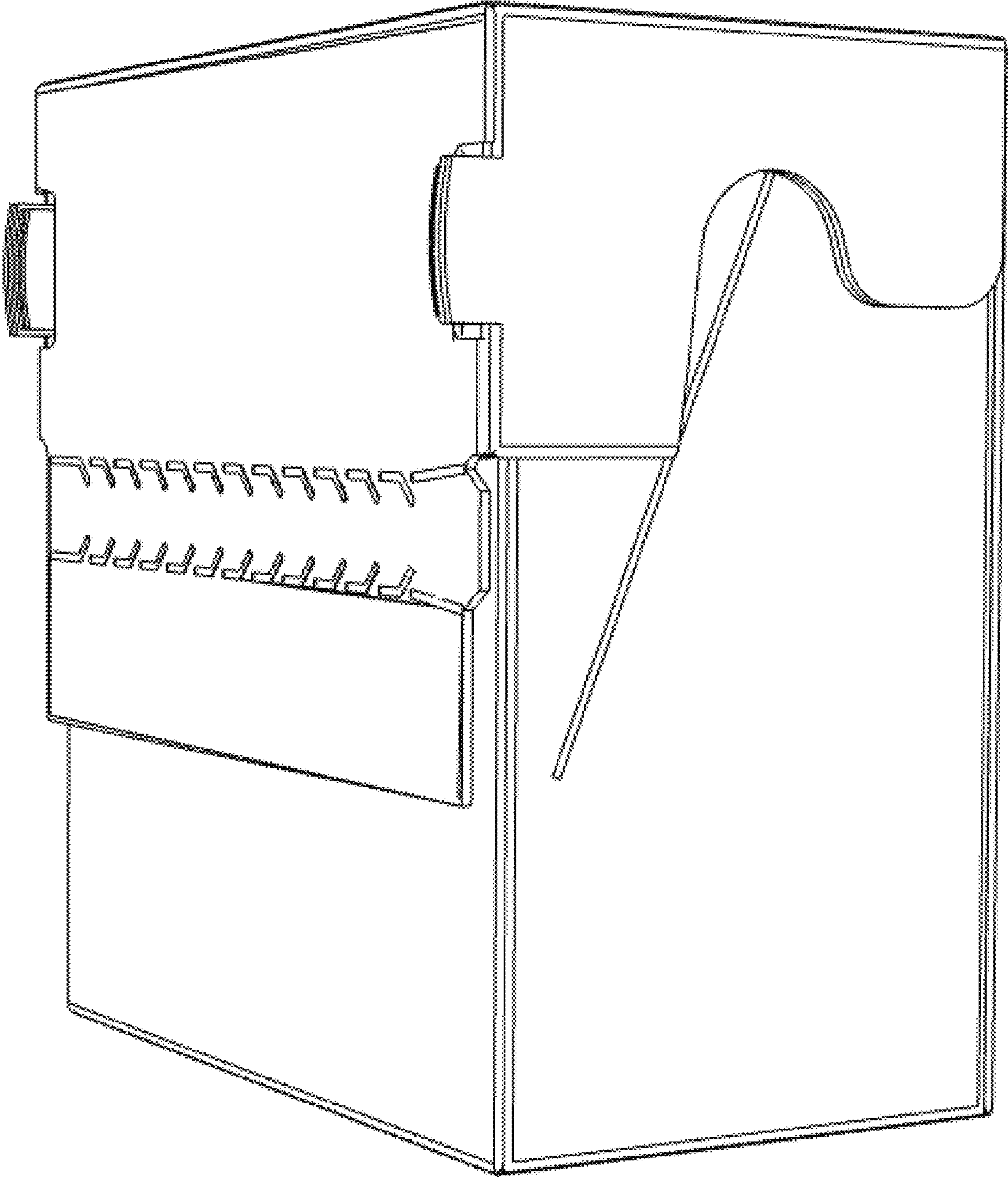


# 1.3

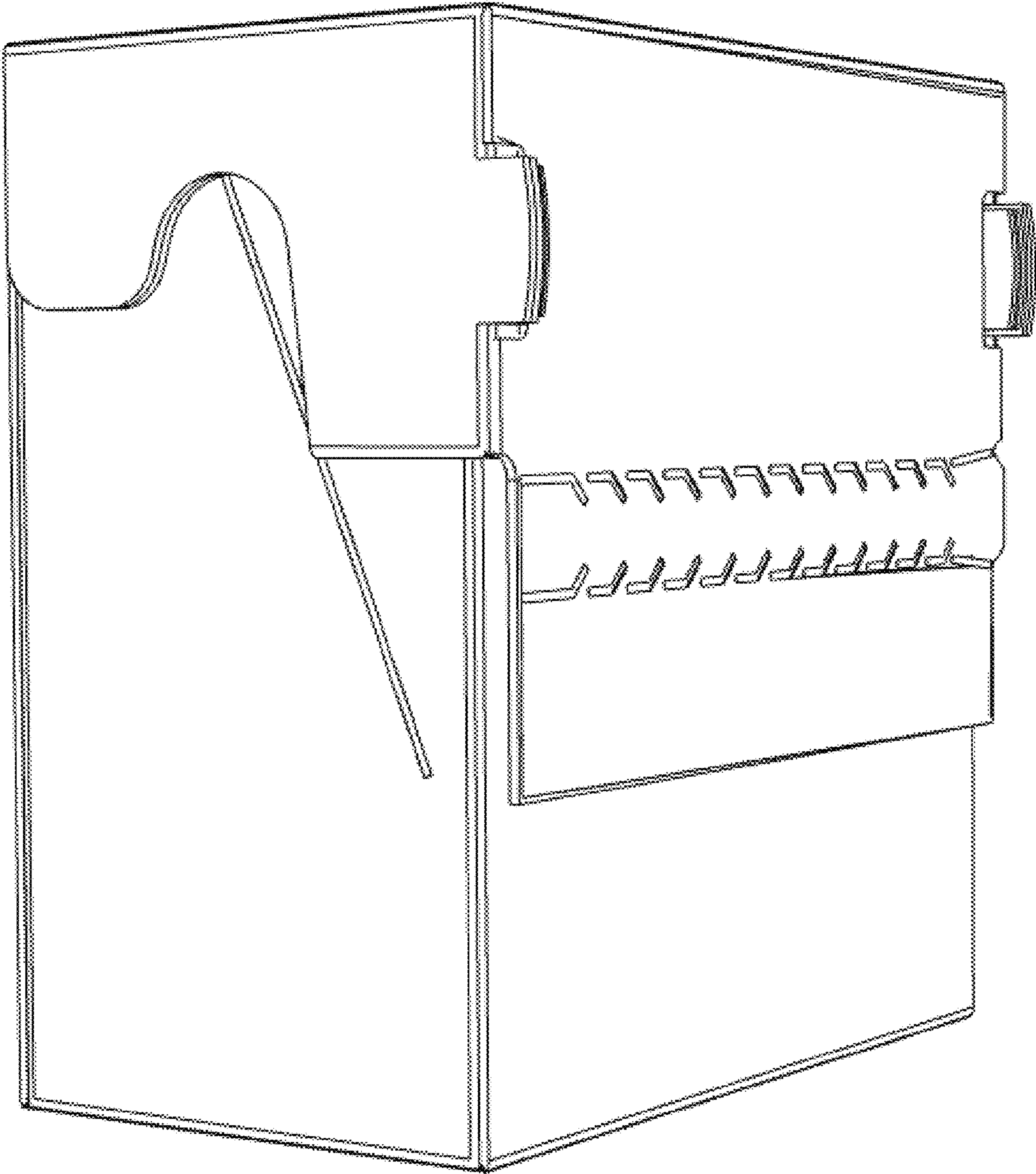




# 1.4



# 1.5



# 1.6

