



US00D981838S

(12) **United States Design Patent**
McCleery et al.

(10) **Patent No.:** **US D981,838 S**
(45) **Date of Patent:** **** Mar. 28, 2023**

- (54) **CORNER KEY FOR FENESTRATION UNIT FRAME**
- (71) Applicant: **JELD-WEN, Inc.**, Charlotte, NC (US)
- (72) Inventors: **Timothy L. McCleery**, San Diego, CA (US); **Isidore R. Baca**, Oceanside, CA (US); **Kevin Christopher Hamm**, Vista, CA (US)
- (73) Assignee: **JELD-WEN, INC.**, Charlotte, NC (US)
- (**) Term: **15 Years**
- (21) Appl. No.: **29/788,871**
- (22) Filed: **Aug. 6, 2021**
- (51) **LOC (14) Cl.** **08-11**
- (52) **U.S. Cl.**
USPC **D8/400**; D8/382
- (58) **Field of Classification Search**
USPC D8/382, 400, 349, 353; D6/301, 702
CPC E06B 9/52; E06B 9/58; E06B 2009/5227;
E06B 2009/528
See application file for complete search history.

- D313,170 S * 12/1990 Nye D8/382
- D317,400 S * 6/1991 Loew D8/382
- D333,607 S * 3/1993 Isler D8/382
- 5,431,211 A * 7/1995 Guillemet E06B 9/52
403/231
- 5,473,853 A * 12/1995 Guillemet E06B 9/52
160/381
- 5,547,011 A * 8/1996 Dotson E06B 9/24
403/402
- 5,732,760 A * 3/1998 Pattison F24F 3/0442
160/381
- D465,033 S * 10/2002 Messier D25/102
- 6,672,365 B2 * 1/2004 Therrien E06B 9/52
160/381
- 6,845,593 B2 * 1/2005 Silverman E06B 3/9647
52/655.1
- D530,193 S * 10/2006 Goldenberg D8/400
- D647,385 S * 10/2011 Watts D8/349
- D688,115 S * 8/2013 Wiegmann D8/349

(Continued)

Primary Examiner — Keli L Hill
Assistant Examiner — Harold E Blackwell, II
(74) *Attorney, Agent, or Firm* — Lorenz & Kopf, LLP

(57) **CLAIM**

The ornamental design for a corner key for fenestration unit frame, as shown and described.

DESCRIPTION

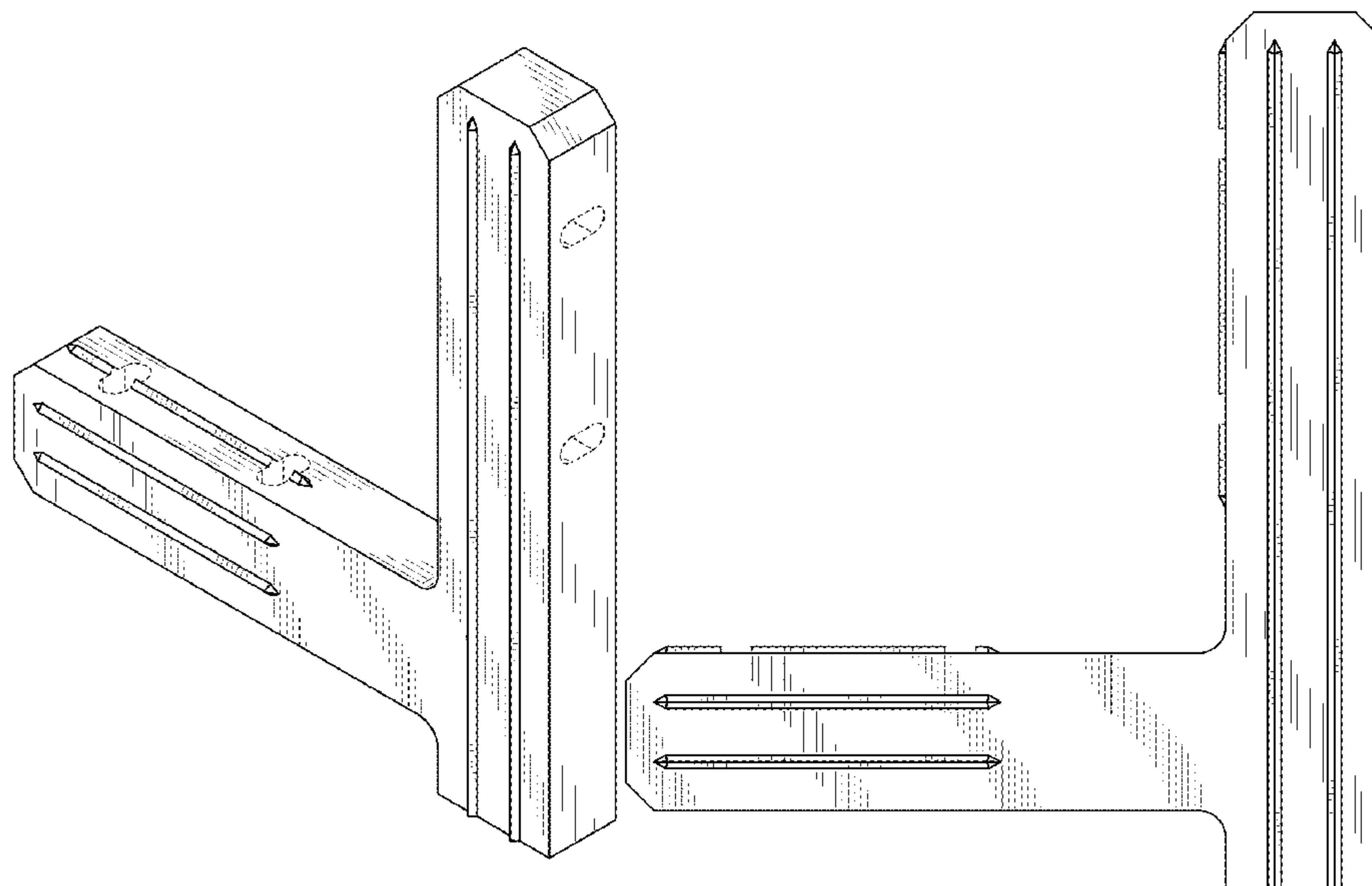
FIG. 1 is a front isometric view of a corner key for fenestration unit frame showing our new design. FIG. 2 is a front elevation view thereof. FIG. 3 is a rear elevation view thereof. FIG. 4 is a left side elevation view thereof. FIG. 5 is a right side elevation view thereof. FIG. 6 is a top plan view thereof; and, FIG. 7 is a bottom plan view thereof. The broken lines in the drawings illustrate portions of the corner key for fenestration unit frame which form no part of the claimed design.

1 Claim, 7 Drawing Sheets

(56) **References Cited**

U.S. PATENT DOCUMENTS

- 1,852,866 A * 4/1932 Weitzel E06B 9/52
160/381
- 3,784,043 A * 1/1974 Presnick B65D 88/528
52/285.3
- 4,195,681 A * 4/1980 Douglas E06B 9/52
160/381
- D267,764 S * 2/1983 Sundberg D6/300
- 4,570,406 A * 2/1986 DiFazio E04C 2/384
403/402
- 4,636,105 A * 1/1987 Johansson B29C 66/52431
403/403
- D288,244 S * 2/1987 Schmidt D25/119
- D307,078 S * 4/1990 Guillemet D8/382



(56)

References Cited

U.S. PATENT DOCUMENTS

D731,298	S *	6/2015	Therrien	D8/382
D734,136	S *	7/2015	Therrien	D8/382
D754,523	S *	4/2016	Niedermeyer	D8/349
D791,982	S *	7/2017	Coric	D25/199
D827,414	S *	9/2018	Macdonald	D8/349
10,196,850	B2 *	2/2019	Wexler	E06B 3/28
10,501,981	B2 *	12/2019	Wexler	E06B 1/34
D909,855	S *	2/2021	Kellum	D8/382
D932,882	S *	10/2021	Kellum	D8/382
D959,252	S *	8/2022	Lawson	D8/382
D965,181	S *	9/2022	Zhang	D25/38.1
2002/0005261	A1 *	1/2002	Therrien	E06B 3/9647 160/381
2002/0174619	A1 *	11/2002	Hanna	E04B 1/04 52/574
2007/0056701	A1 *	3/2007	Brooker	E06B 9/52 160/381
2008/0219759	A1 *	9/2008	Therrien	E06B 9/52 403/295
2013/0272777	A1 *	10/2013	Hayter	E04F 10/08 403/205
2014/0001773	A1 *	1/2014	Small	E05C 1/10 16/110.1

* cited by examiner

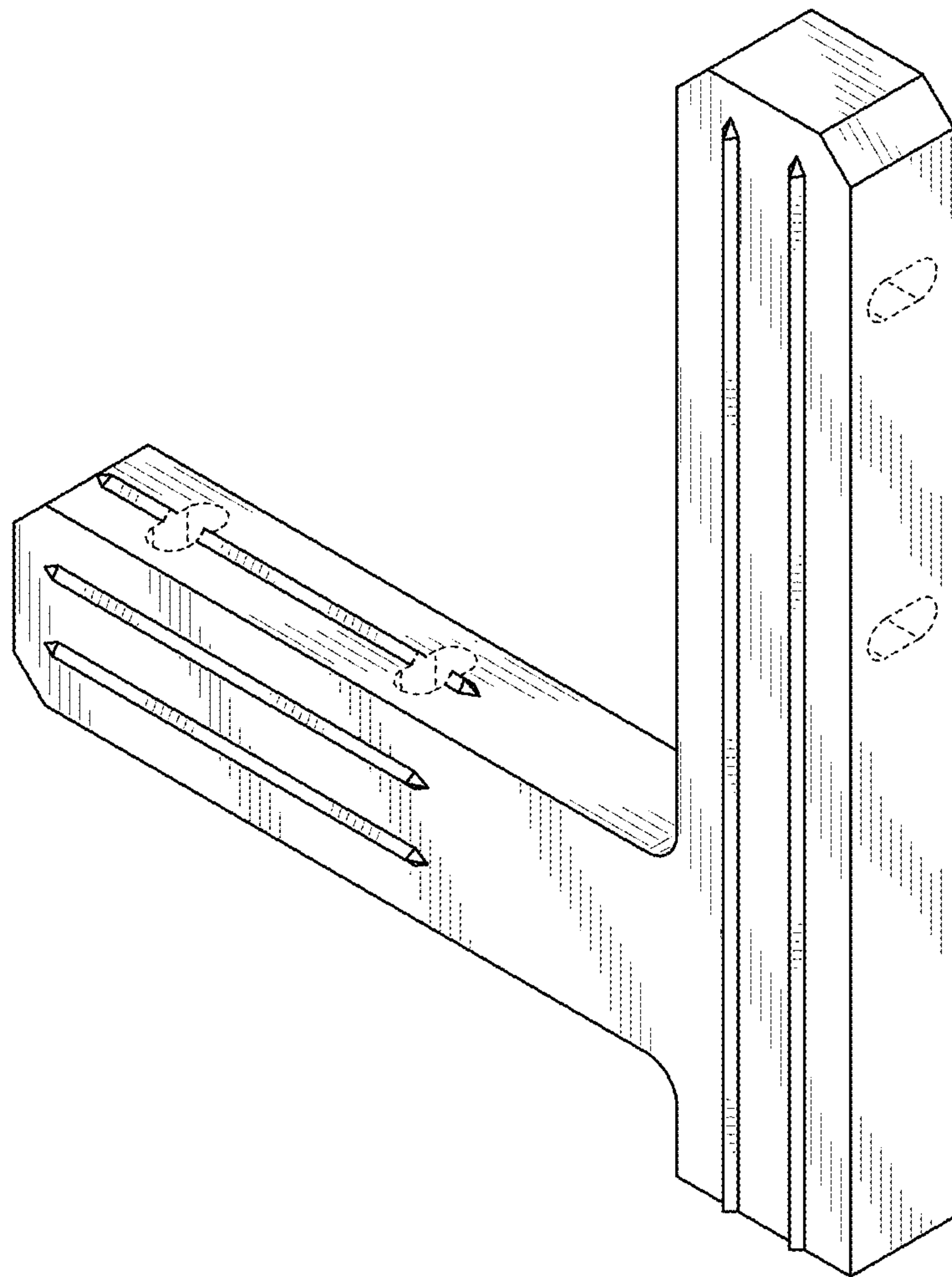


FIG. 1

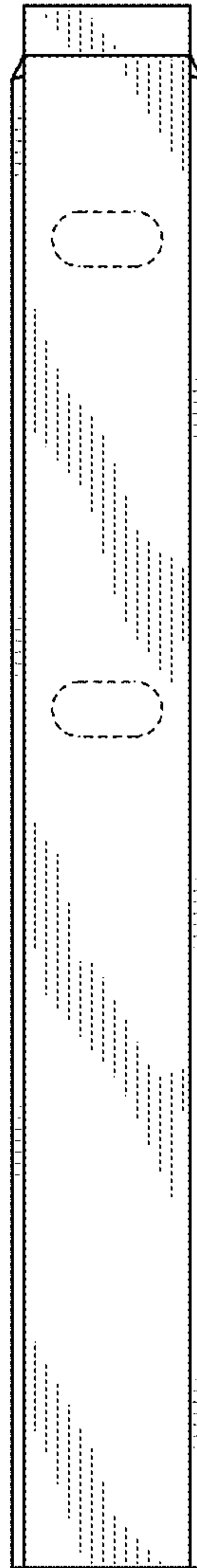


FIG. 2

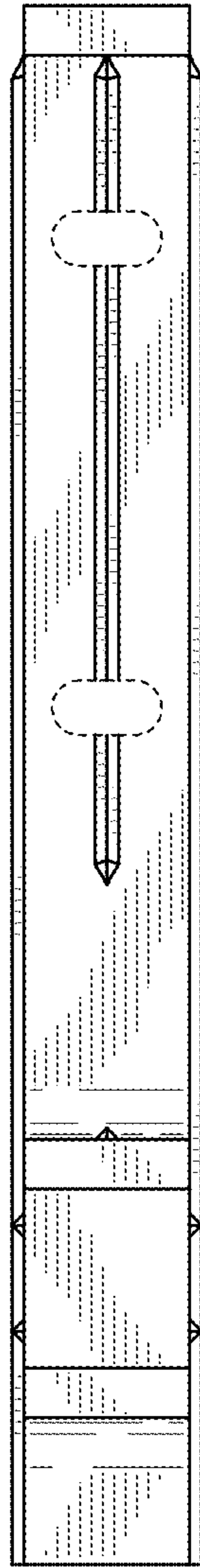


FIG. 3

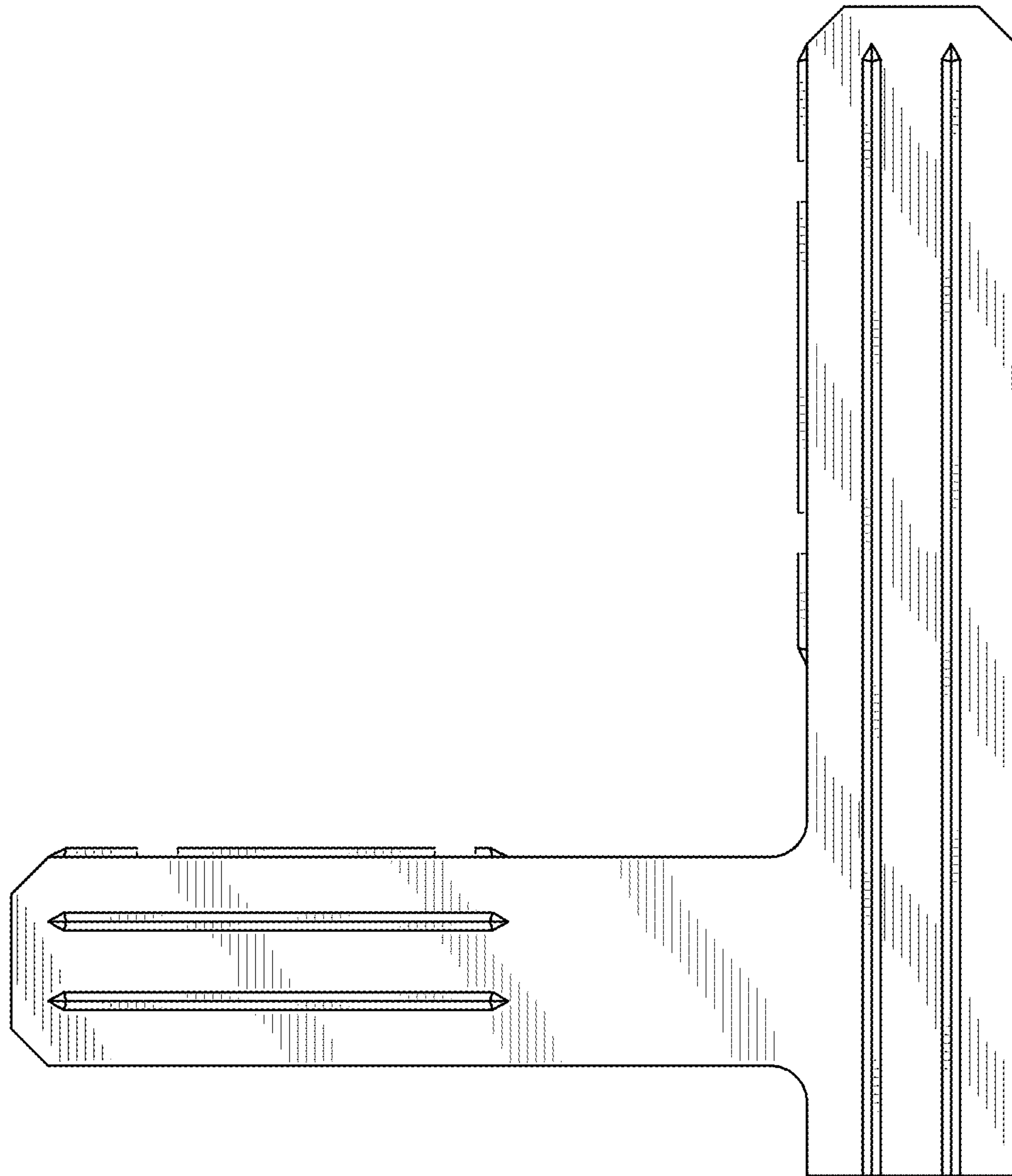


FIG. 4

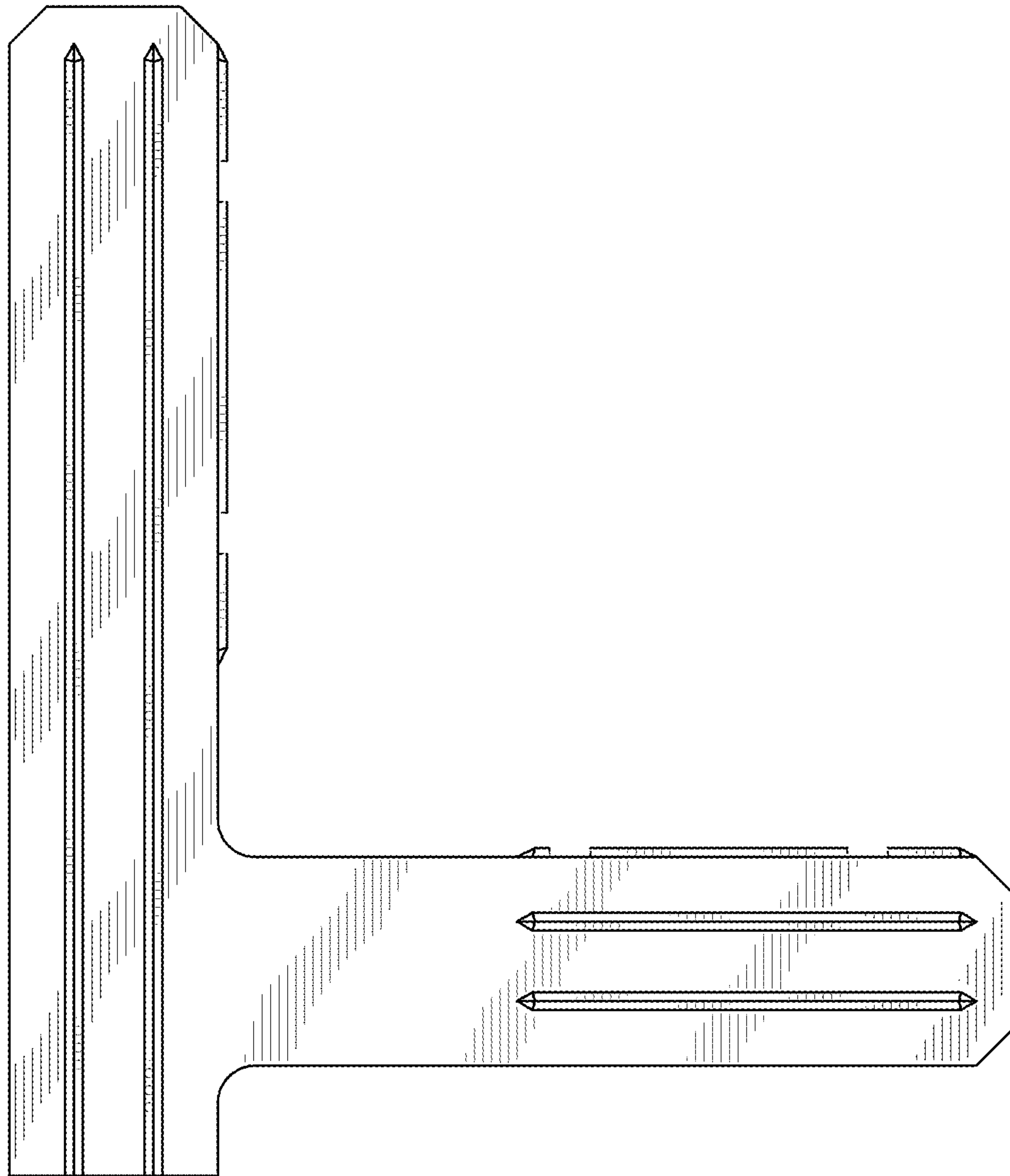


FIG. 5

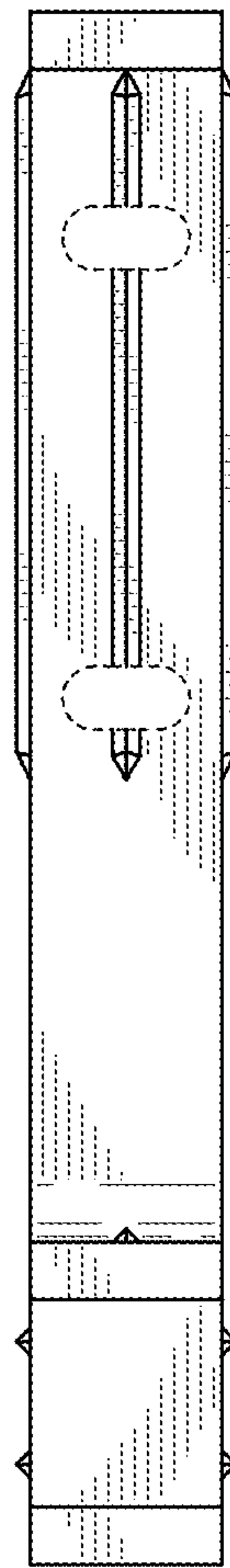


FIG. 6

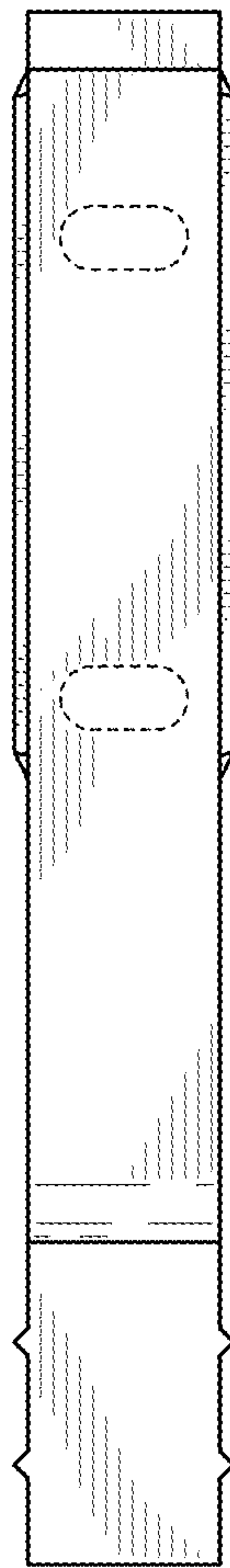


FIG. 7