



US00D981837S

(12) **United States Design Patent**  
**Deng**

(10) **Patent No.:** **US D981,837 S**

(45) **Date of Patent:** **\*\* Mar. 28, 2023**

- (54) **UFO SCREW BACK**
- (71) Applicant: **Runtao Deng**, Guangdong Province (CN)
- (72) Inventor: **Runtao Deng**, Guangdong Province (CN)
- (\*\*) Term: **15 Years**
- (21) Appl. No.: **29/741,836**
- (22) Filed: **Jul. 16, 2020**
- (51) **LOC (14) Cl.** ..... **08-08**
- (52) **U.S. Cl.**  
USPC ..... **D8/399**
- (58) **Field of Classification Search**  
USPC ..... D8/399, 382, 349, 397; 411/120, 114, 411/147  
CPC ..... A61B 5/0057; F23R 3/002; F16B 31/028; F16D 3/68  
See application file for complete search history.

- 3,348,595 A \* 10/1967 Stevens, Jr. .... B65D 33/1625 24/30.5 R
  - D217,540 S \* 5/1970 Weise ..... D8/397
  - 3,679,266 A \* 7/1972 Jenkins ..... F16B 41/002 206/347
  - D243,063 S \* 1/1977 Mooney ..... D8/397
  - 4,286,807 A \* 9/1981 Bachli ..... F16L 19/005 285/382.7
  - 4,293,257 A \* 10/1981 Peterson ..... G01L 5/243 411/11
  - D282,818 S \* 3/1986 Bos ..... D8/382
  - D340,942 S \* 11/1993 Smith ..... D17/99
  - D372,419 S \* 8/1996 Ikegami ..... D8/382
  - 5,618,143 A \* 4/1997 Cronin, II ..... B25B 13/48 411/120
  - 5,674,034 A \* 10/1997 Bennett ..... F16B 39/10 411/120
  - D390,923 S \* 2/1998 Stevens ..... B65D 33/1625 D23/262
  - 5,967,722 A \* 10/1999 Fett ..... F16B 39/10 411/120
  - 6,387,055 B1 \* 5/2002 Christy ..... A61B 5/0057 600/557
  - D482,847 S \* 12/2003 Lee ..... D2/869
  - D494,056 S \* 8/2004 Clendenning ..... D8/399
- (Continued)

*Primary Examiner* — Cynthia R Underwood

(56) **References Cited**  
U.S. PATENT DOCUMENTS

- 716,095 A \* 12/1902 Peterson ..... F16B 39/24 411/136
- 1,181,109 A \* 5/1916 Carr ..... F16B 39/24 411/136
- 2,124,249 A \* 7/1938 Guiducci ..... F16B 39/24 411/114
- 2,666,468 A \* 1/1954 Poupitch ..... B21D 53/20 29/417
- 2,770,277 A \* 11/1956 Poupitch ..... F16B 39/26 411/957
- D198,713 S \* 7/1964 Curtiss ..... D8/397
- 3,260,293 A \* 7/1966 Gohs ..... F16B 37/02 411/147
- 3,288,191 A \* 11/1966 Thorborg ..... F16B 39/24 411/149

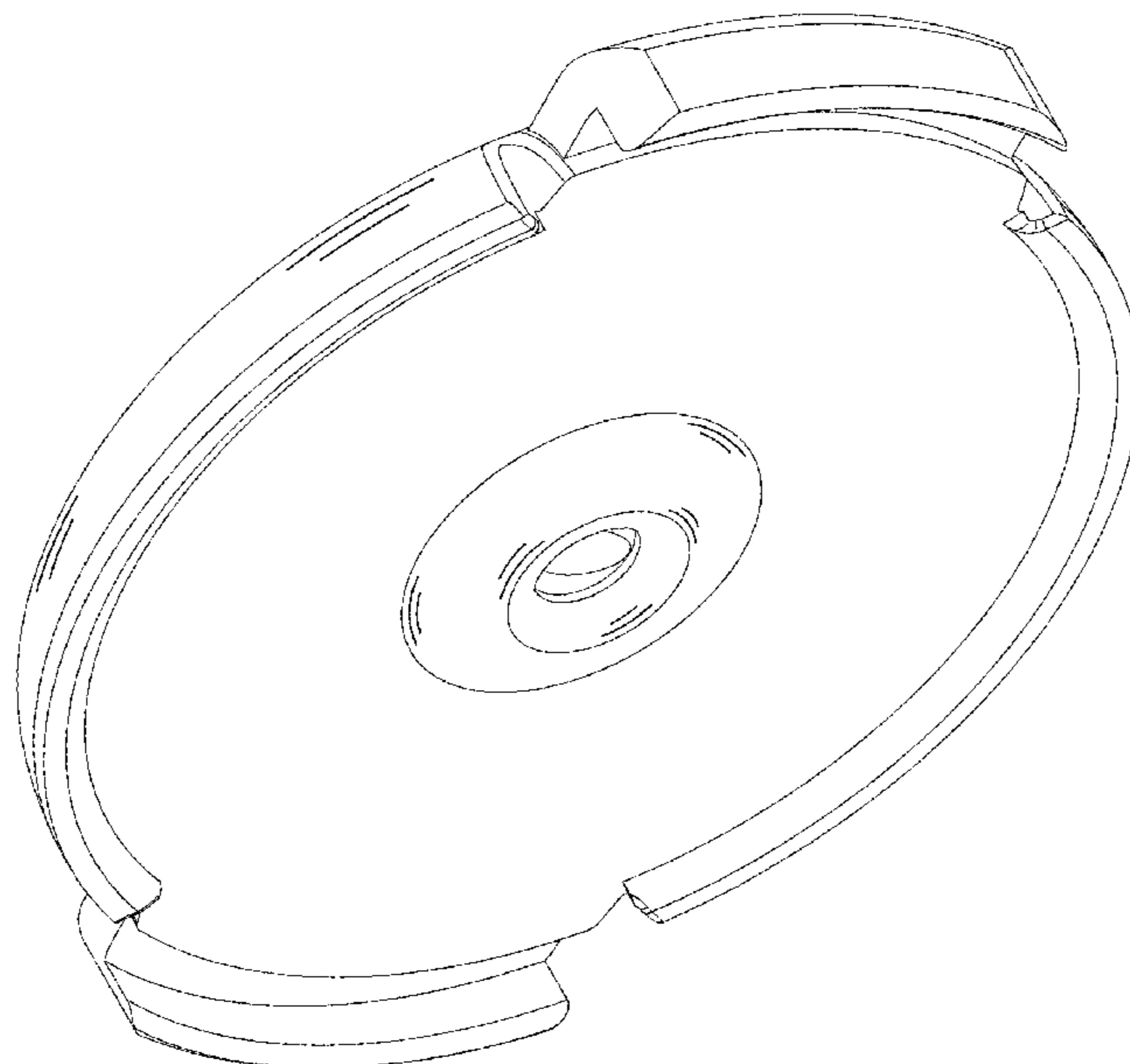
(57) **CLAIM**

The ornamental design for a UFO screw back, as shown and described.

**DESCRIPTION**

FIG. 1 is a perspective view of a UFO screw back showing my new design;  
FIG. 2 is a front elevational view thereof;  
FIG. 3 is a top plan view thereof;  
FIG. 4 is a left side elevational view thereof;  
FIG. 5 is a rear elevational view thereof;  
FIG. 6 is a right side elevational view thereof; and,  
FIG. 7 is a bottom plan view thereof.

**1 Claim, 7 Drawing Sheets**



(56)

References Cited

U.S. PATENT DOCUMENTS

D520,856	S *	5/2006	Osiecki	.....	D8/312
D527,245	S *	8/2006	Kelleghan	.....	D8/356
D534,416	S *	1/2007	Kelleghan	.....	D8/356
D548,581	S *	8/2007	Du Rousseau	.....	D8/399
D619,940	S *	7/2010	Strang	.....	D12/159
D658,978	S *	5/2012	Linares	.....	D8/399
D669,985	S *	10/2012	Cheney	.....	D24/140
D710,191	S *	8/2014	Yamazaki	.....	D8/399
D719,013	S *	12/2014	St. John	.....	D8/356
D747,183	S *	1/2016	Davidson	.....	D8/397
D748,973	S *	2/2016	Rodenhouse	.....	D8/399
9,458,610	B2 *	10/2016	Malaker	.....	F16B 31/024
D775,933	S *	1/2017	Hill	.....	D8/349
D775,934	S *	1/2017	Hill	.....	D8/349
D777,917	S *	1/2017	Kabra	.....	D24/144
D783,393	S *	4/2017	Weifenbach	.....	D8/399
D795,682	S *	8/2017	Downs	.....	D8/382
D799,702	S *	10/2017	Wong	.....	D24/186
D800,319	S *	10/2017	Wong	.....	D24/186
D817,153	S *	5/2018	Harogolige Padmanabha	.....	D8/356
D841,455	S *	2/2019	Barwick	.....	D8/399
D841,456	S *	2/2019	Barwick	.....	D8/399
2003/0220146	A1 *	11/2003	Bonninger	.....	F16D 3/68 464/73
2015/0176434	A1 *	6/2015	Gerends	.....	F23R 3/002 411/531
2015/0226249	A1 *	8/2015	Otto	.....	F16B 31/028 29/525.02

\* cited by examiner

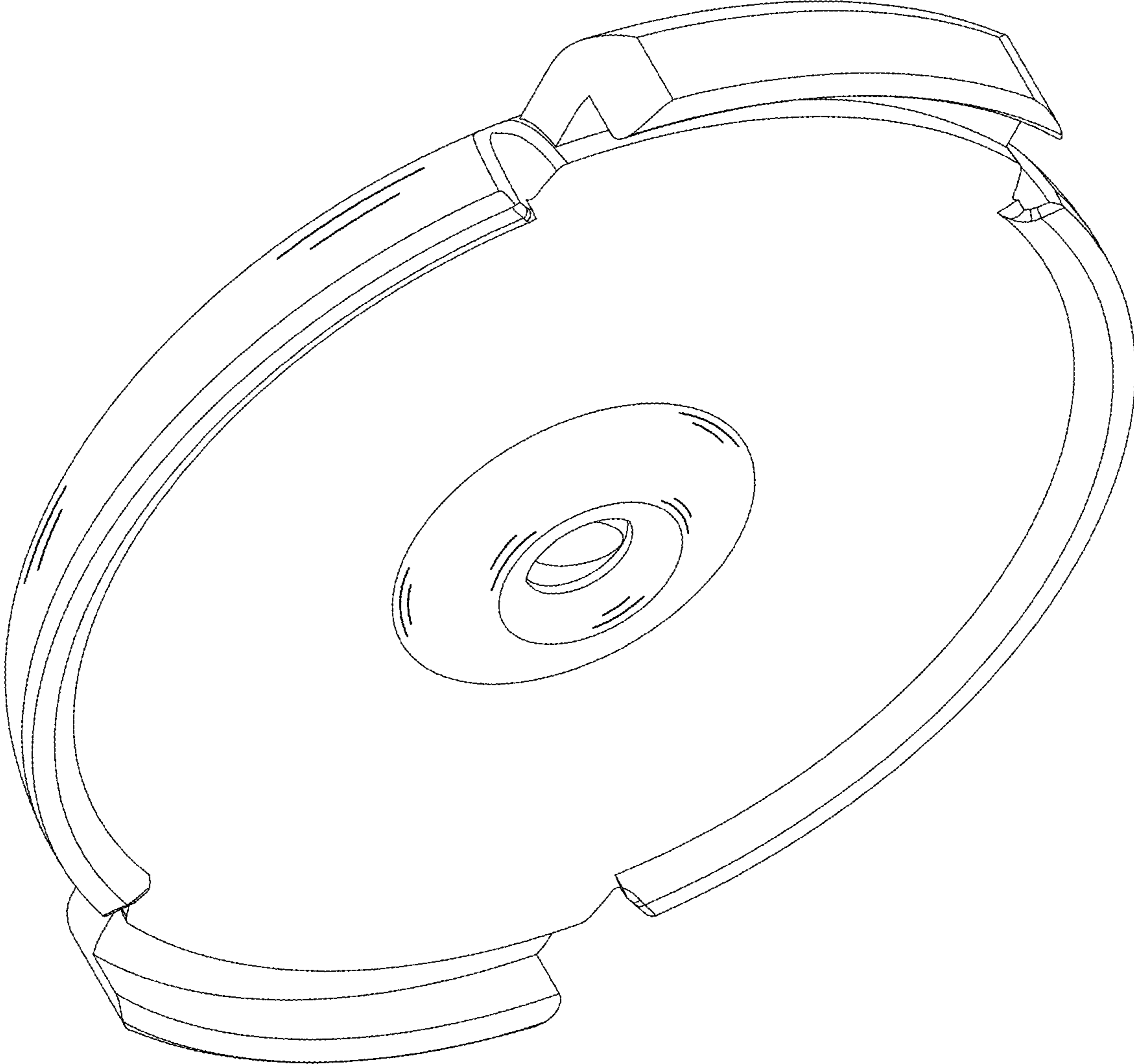


FIG. 1

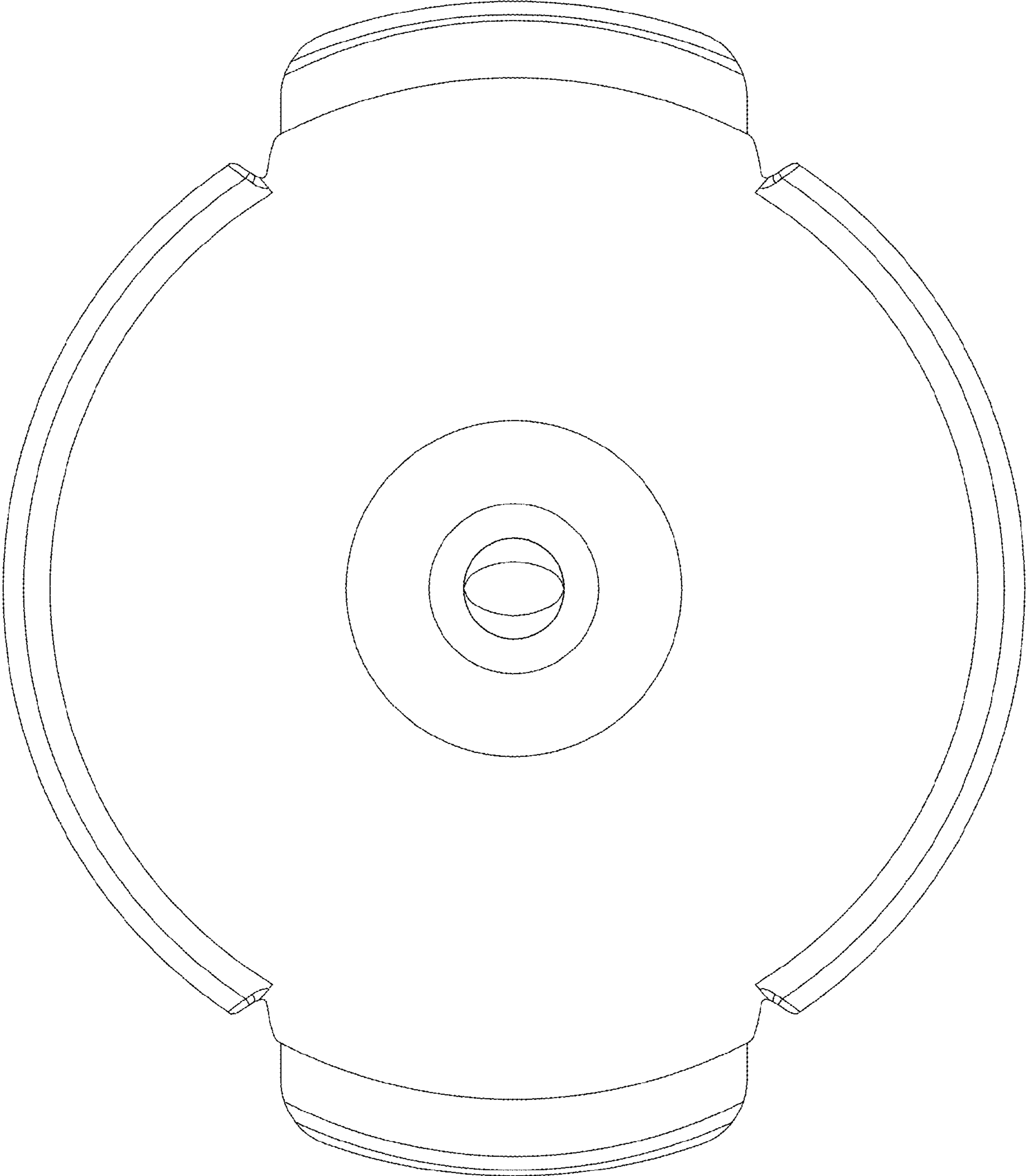


FIG. 2

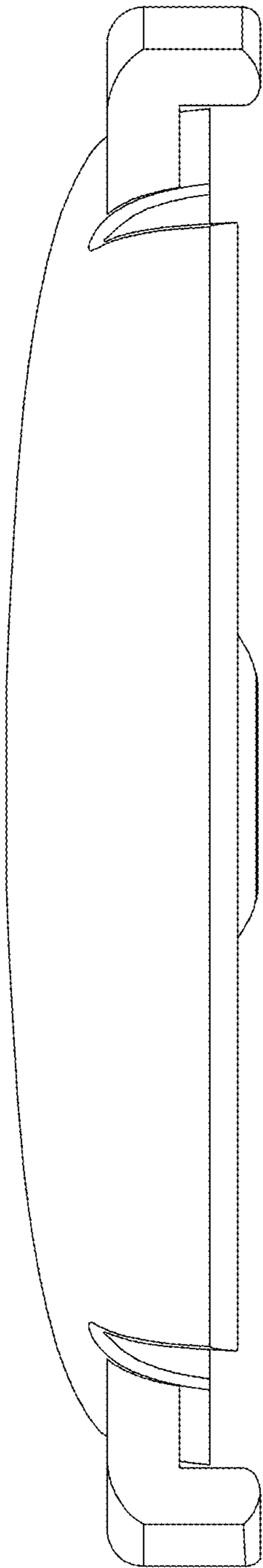


FIG. 3

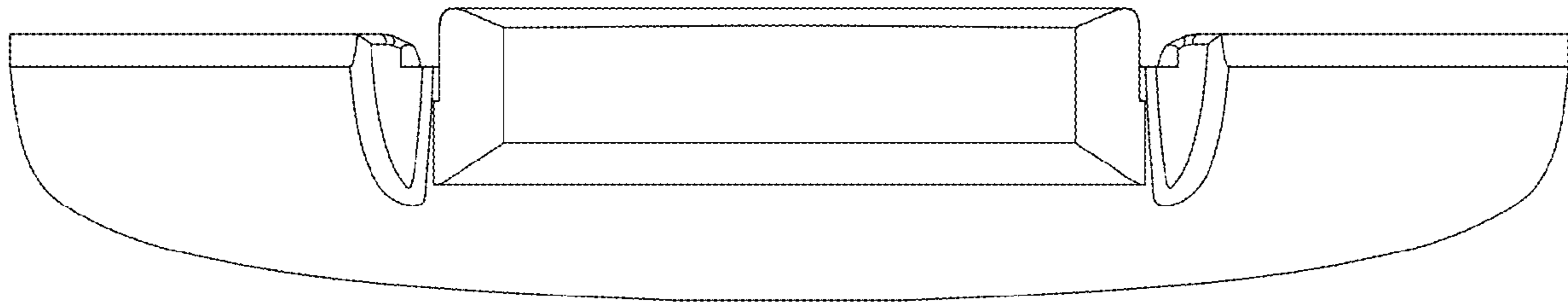


FIG. 4

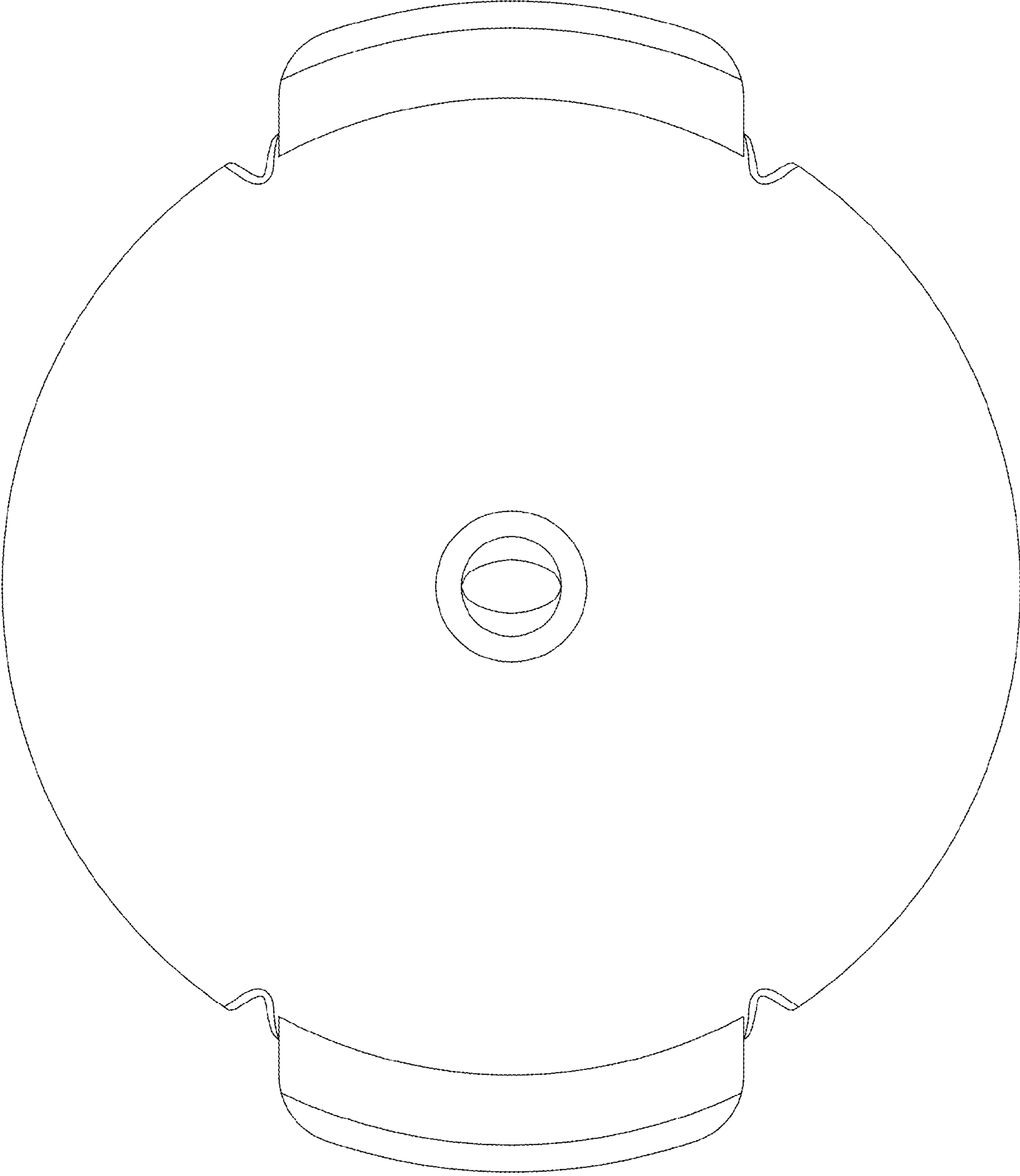


FIG. 5

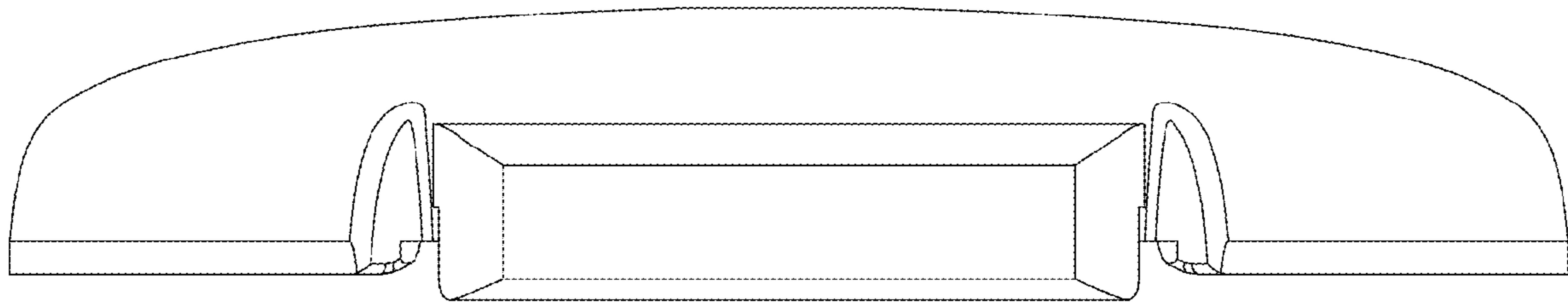


FIG. 6



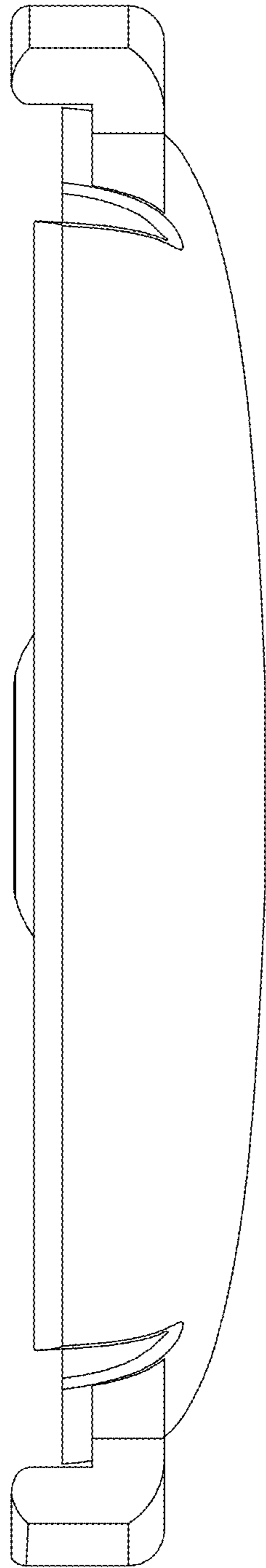


FIG. 7