



US00D981836S

(12) **United States Design Patent**  
**Yu**

(10) **Patent No.:** **US D981,836 S**  
(45) **Date of Patent:** **\*\* Mar. 28, 2023**

(54) **CLAMPING DEVICE**

(71) Applicant: **Miaobing Yu, Yuyao (CN)**

(72) Inventor: **Miaobing Yu, Yuyao (CN)**

(\*\*) Term: **15 Years**

(21) Appl. No.: **29/860,395**

(22) Filed: **Nov. 18, 2022**

(51) **LOC (14) Cl.** ..... **08-08**

(52) **U.S. Cl.**  
USPC ..... **D8/394**

(58) **Field of Classification Search**  
USPC .... D8/72, 73, 330, 331, 394, 395; D16/242,  
D16/244, 245  
CPC .... G03B 17/561; G03B 17/566; G03B 17/00;  
G03B 17/56; F16B 7/1472; F16B 7/0433;  
B25B 5/101; B25B 1/103  
See application file for complete search history.

2006/0231714 A1\* 10/2006 Crain ..... F16M 11/041  
248/309.1  
2010/0218670 A1\* 9/2010 Keng ..... F16M 11/10  
89/37.04  
2013/0195437 A1\* 8/2013 Chamberlayne ..... F16M 13/04  
396/419  
2013/0236235 A1\* 9/2013 Johnson, Sr. .... F16M 11/041  
403/53  
2015/0198283 A1\* 7/2015 Lacy ..... A61B 90/57  
248/231.71  
2017/0332748 A1\* 11/2017 Kaplan ..... A45B 9/04  
2020/0077080 A1\* 3/2020 Banta ..... F16M 13/04

\* cited by examiner

*Primary Examiner* — Lauren R Calve

(74) *Attorney, Agent, or Firm* — Jeenam Park

(57) **CLAIM**

The ornamental design for a clamping device, as shown and described.

**DESCRIPTION**

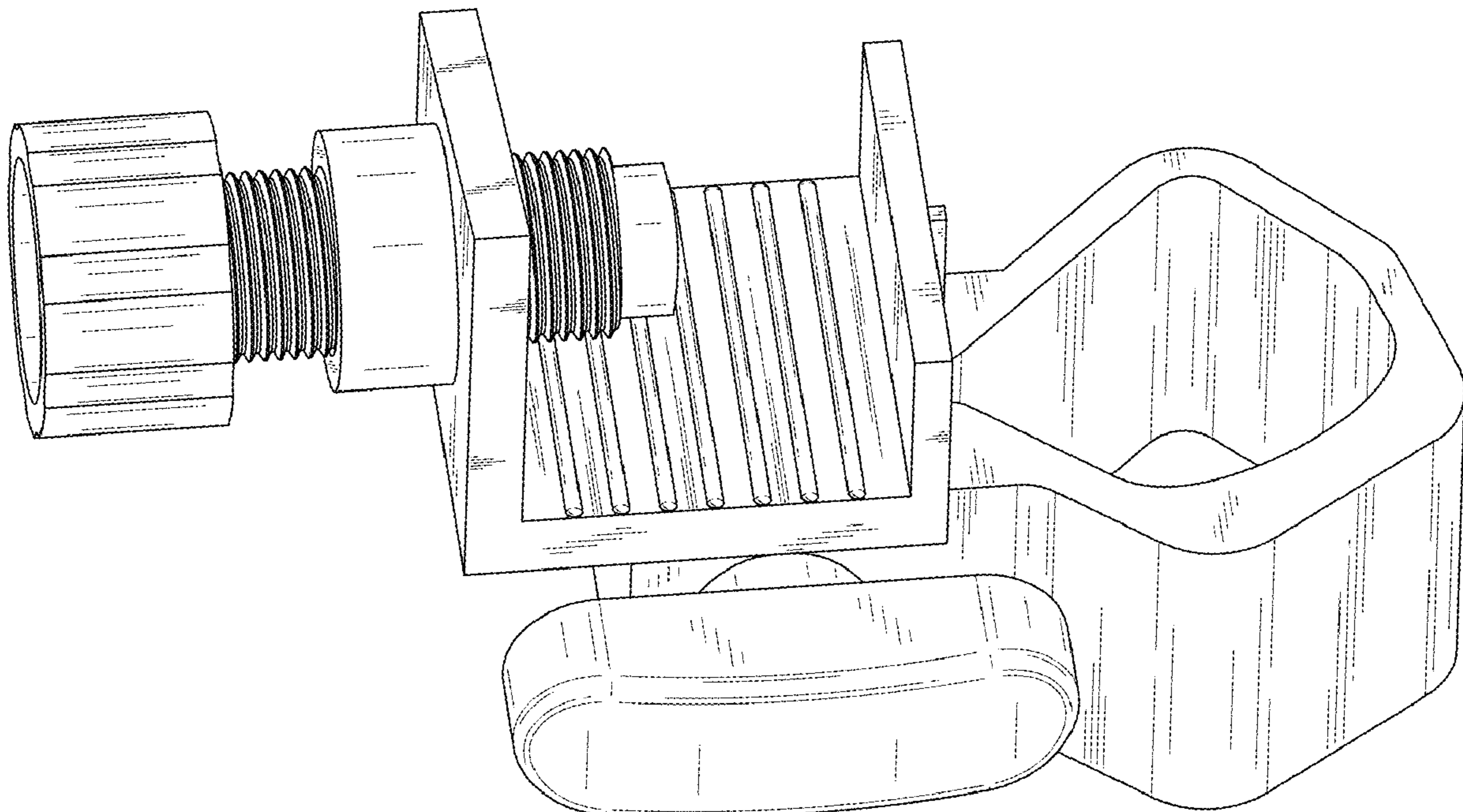
FIG. 1 is a front, left and top perspective view of a clamping device, showing my new design;  
FIG. 2 is a rear, left and bottom perspective view thereof;  
FIG. 3 is a front view thereof;  
FIG. 4 is a rear view thereof;  
FIG. 5 is a left side view thereof;  
FIG. 6 is a right side view thereof;  
FIG. 7 is a top plan view thereof;  
FIG. 8 is a bottom plan view thereof; and,  
FIG. 9 is a perspective view thereof shown in use.  
The broken lines shown in FIG. 9 represent environmental subject matter and form no part of the claimed design.

(56) **References Cited**

**U.S. PATENT DOCUMENTS**

D260,235 S \* 8/1981 Anderson ..... D8/394  
D626,165 S \* 10/2010 Raken ..... D16/202  
D638,698 S 5/2011 Sprinkmann et al.  
D685,052 S \* 6/2013 Mok ..... D22/109  
D711,731 S \* 8/2014 Sugiura ..... D17/22  
D762,300 S \* 7/2016 Breitweiser ..... D24/128  
D767,983 S \* 10/2016 Jiang ..... D8/394  
D777,020 S \* 1/2017 Zlatic ..... D8/394  
D777,021 S \* 1/2017 Dew ..... D8/394  
D870,548 S 12/2019 Modracek  
D955,210 S \* 6/2022 Chen ..... D8/394  
D969,200 S \* 11/2022 Lin ..... D16/242  
2006/0197001 A1\* 9/2006 Parker ..... G03B 17/561  
248/230.8

**1 Claim, 9 Drawing Sheets**



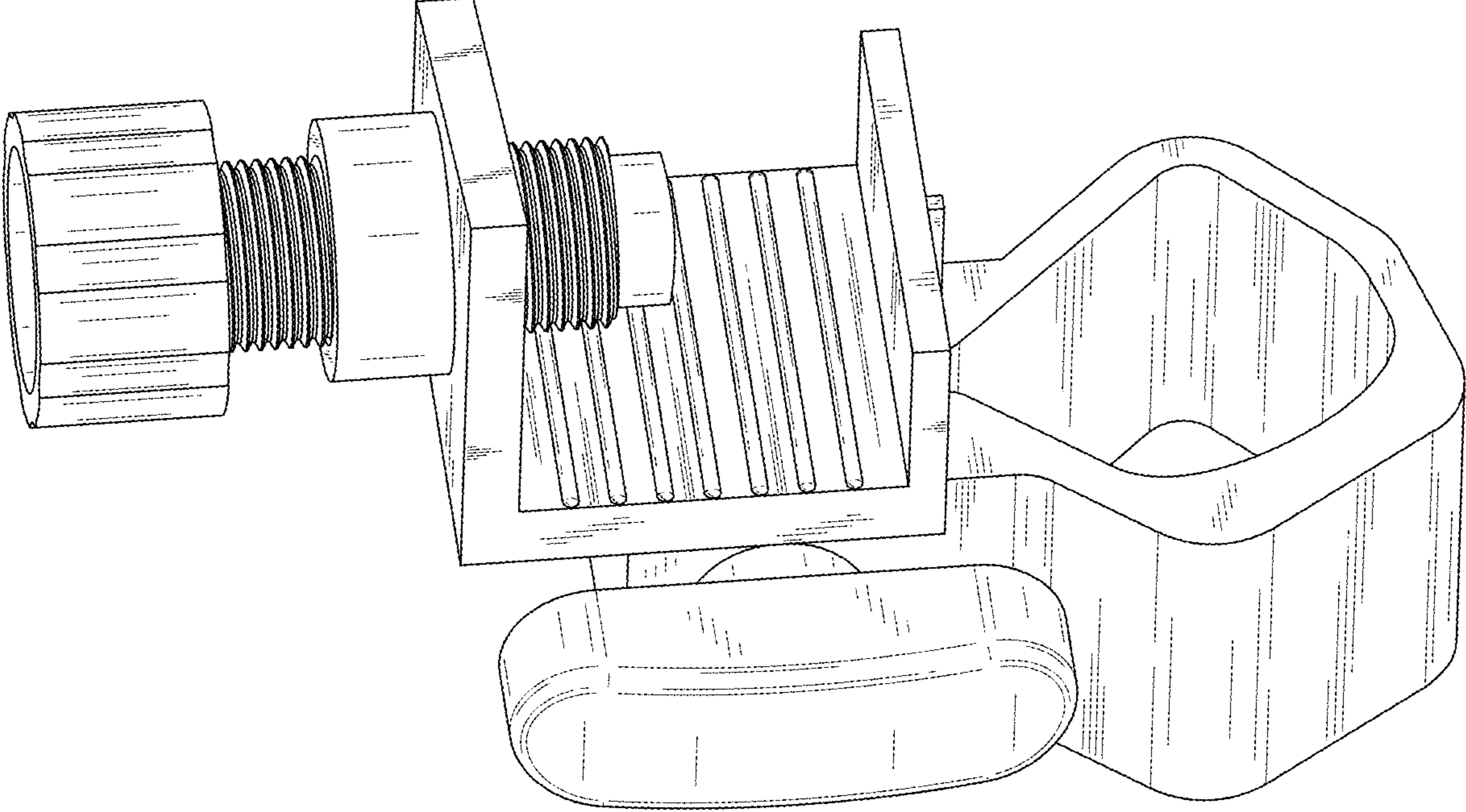


FIG. 1

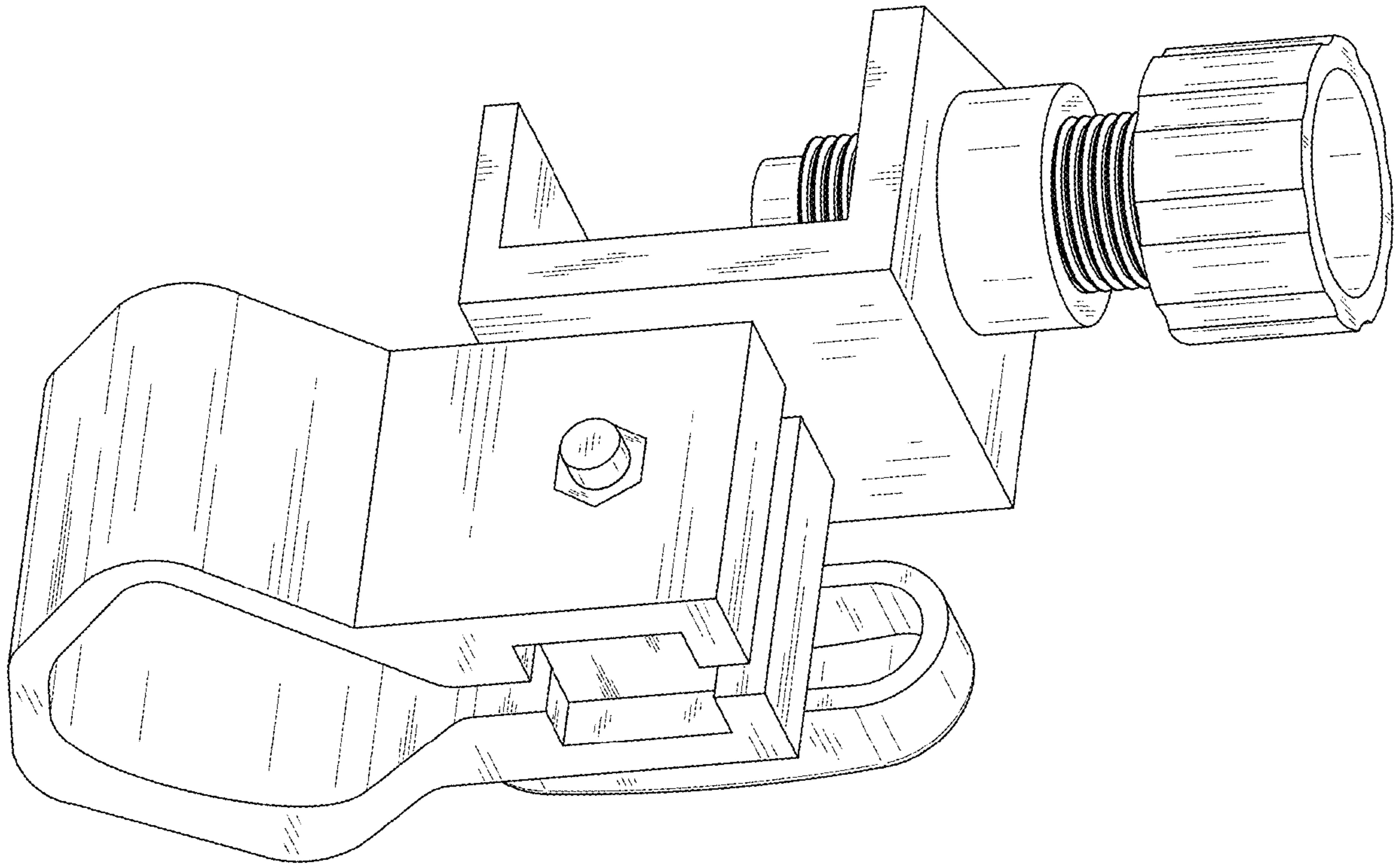


FIG. 2

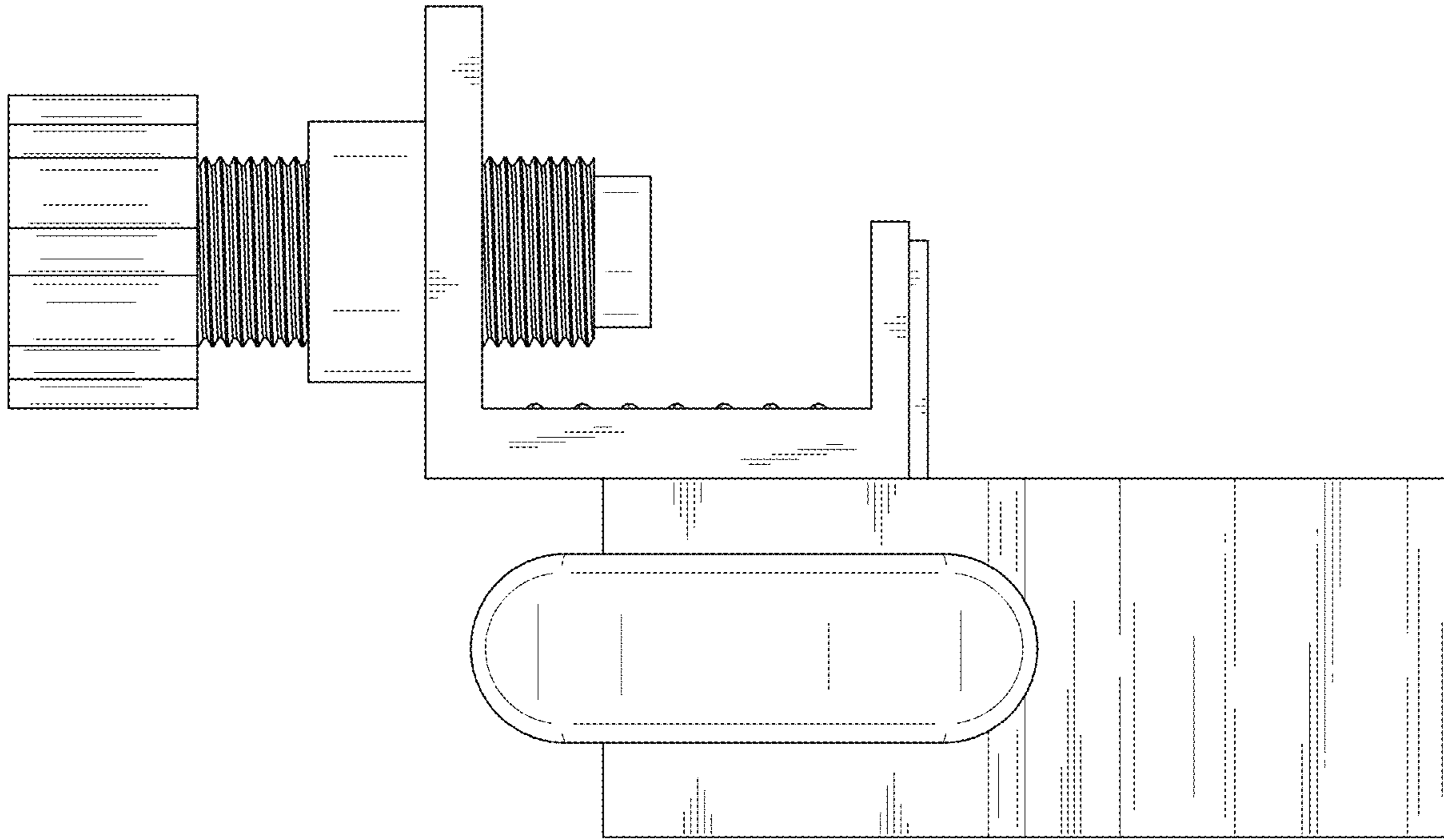


FIG. 3

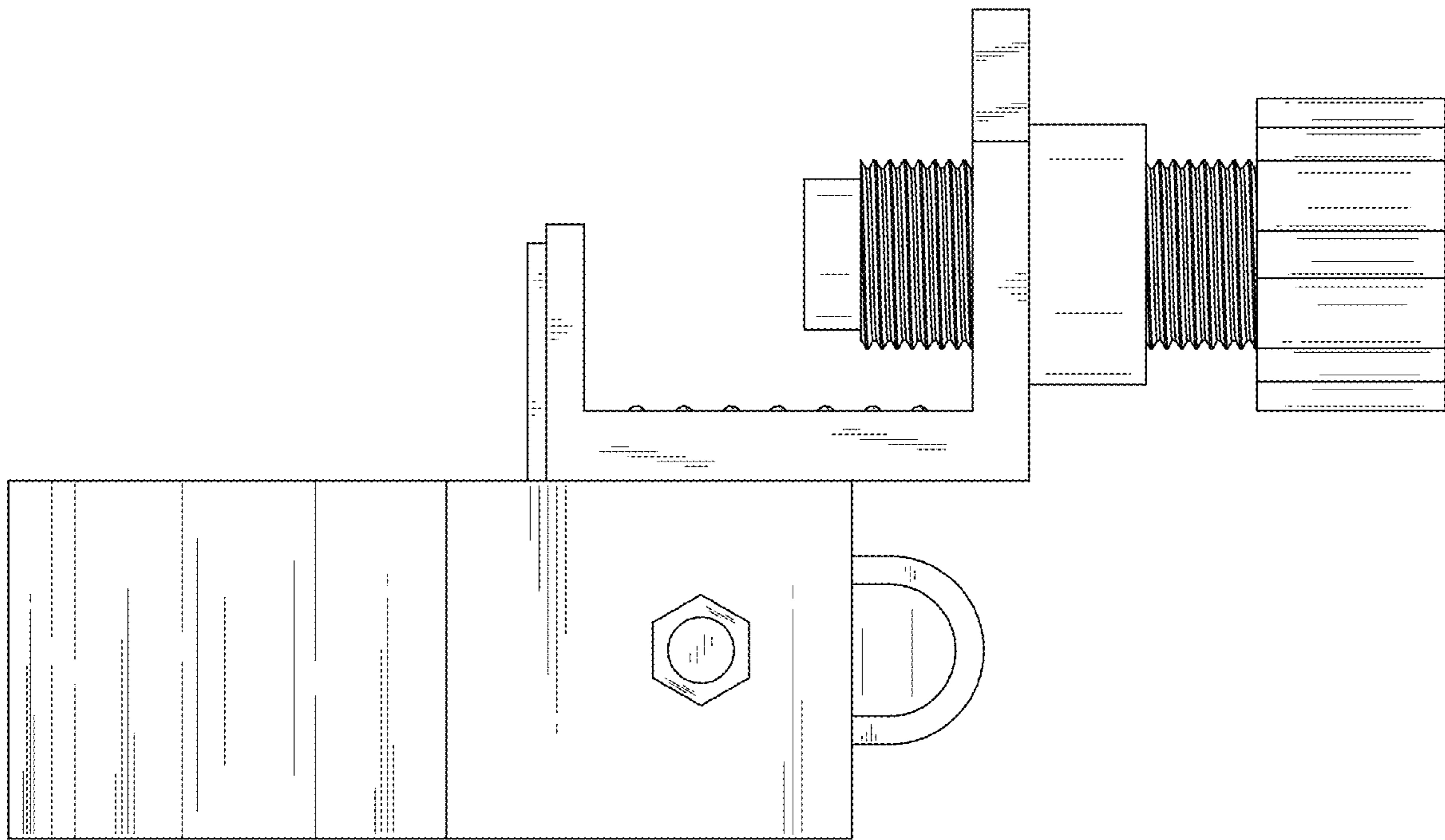


FIG. 4

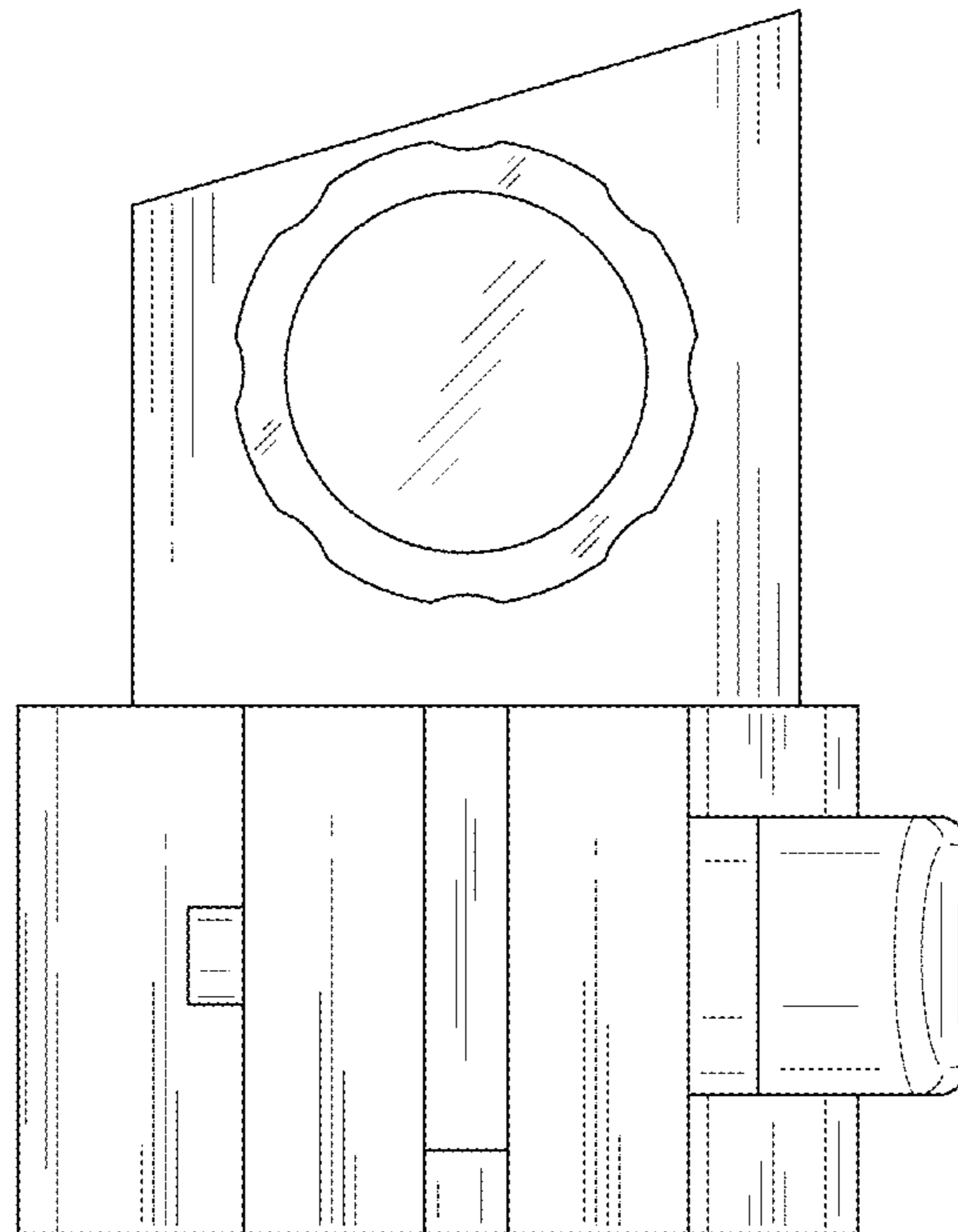


FIG. 5

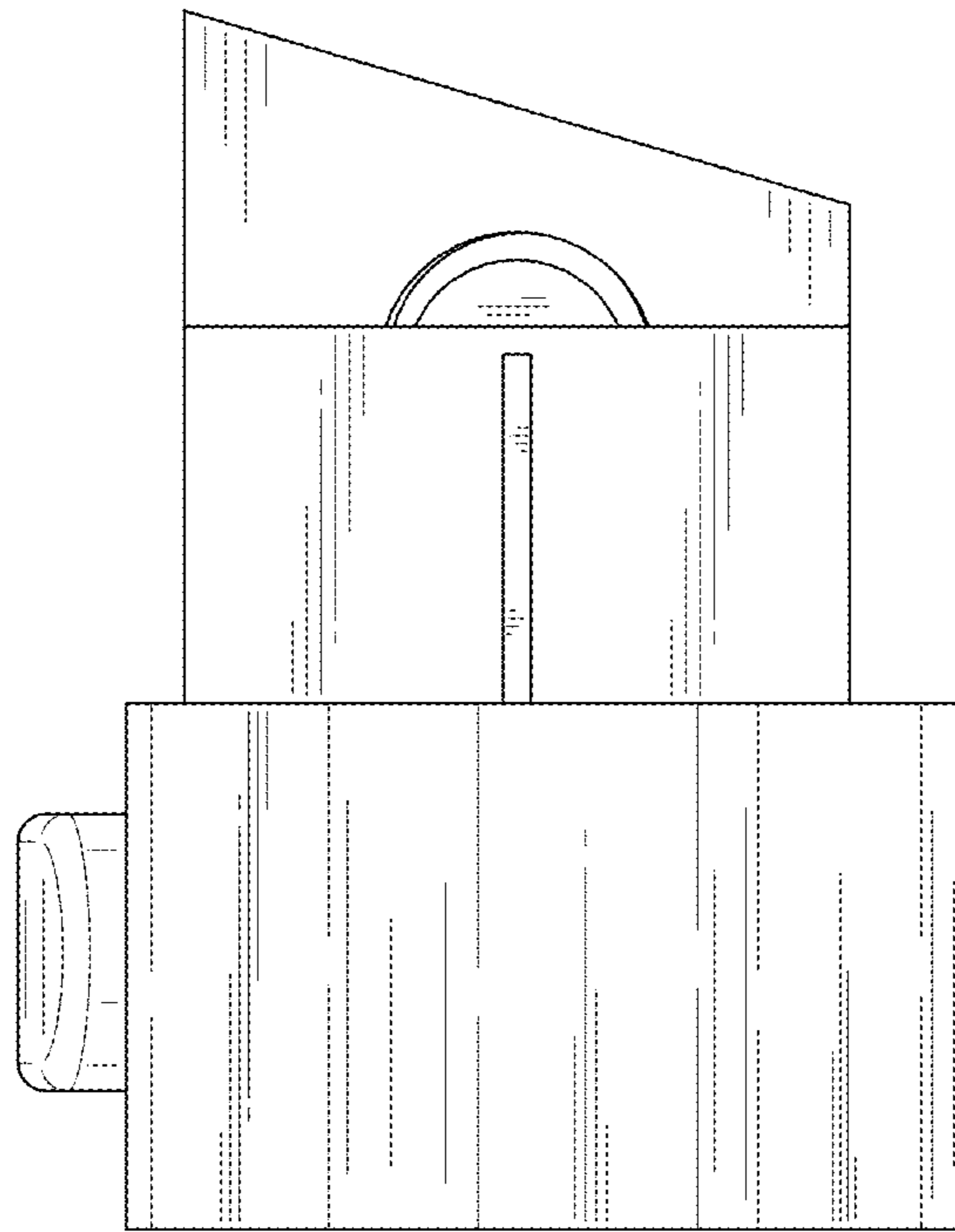


FIG. 6

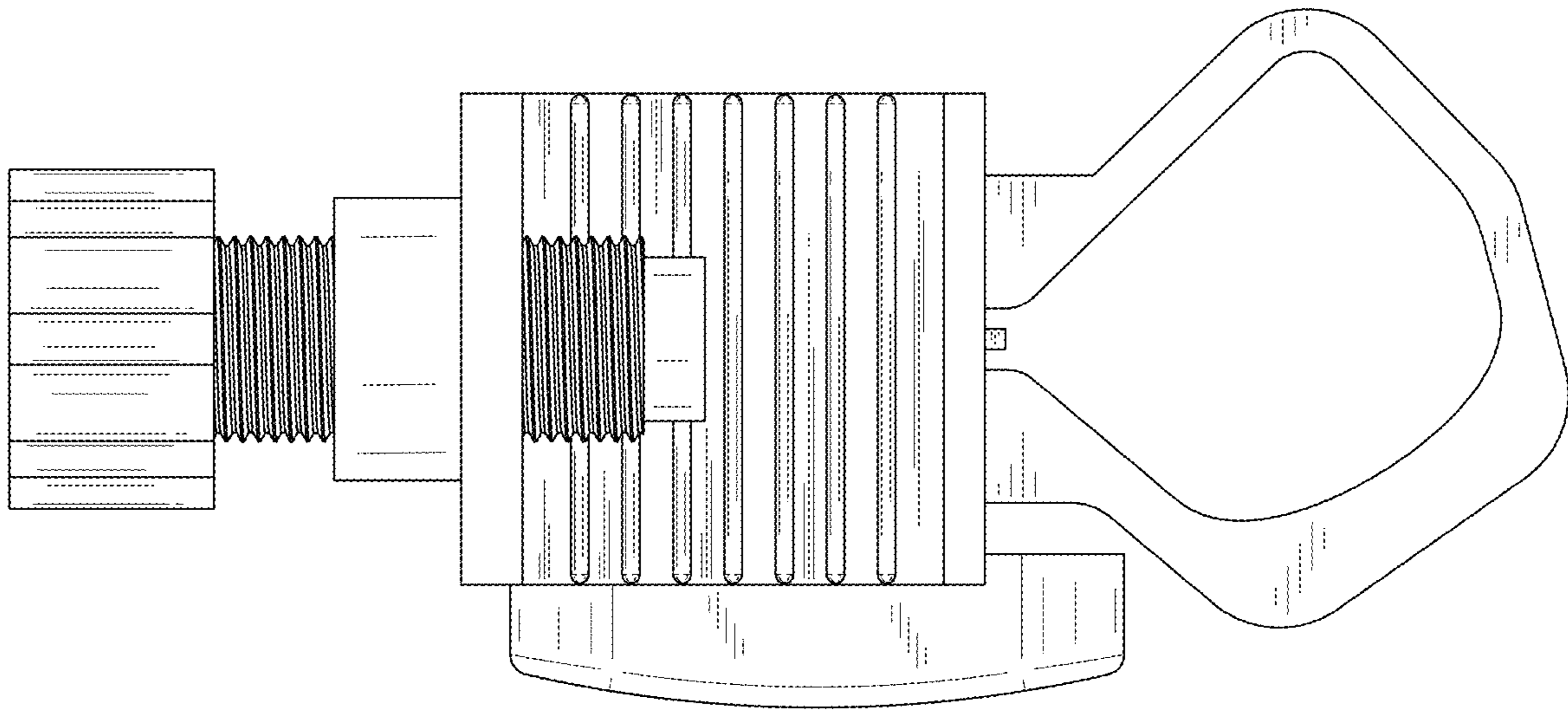


FIG. 7



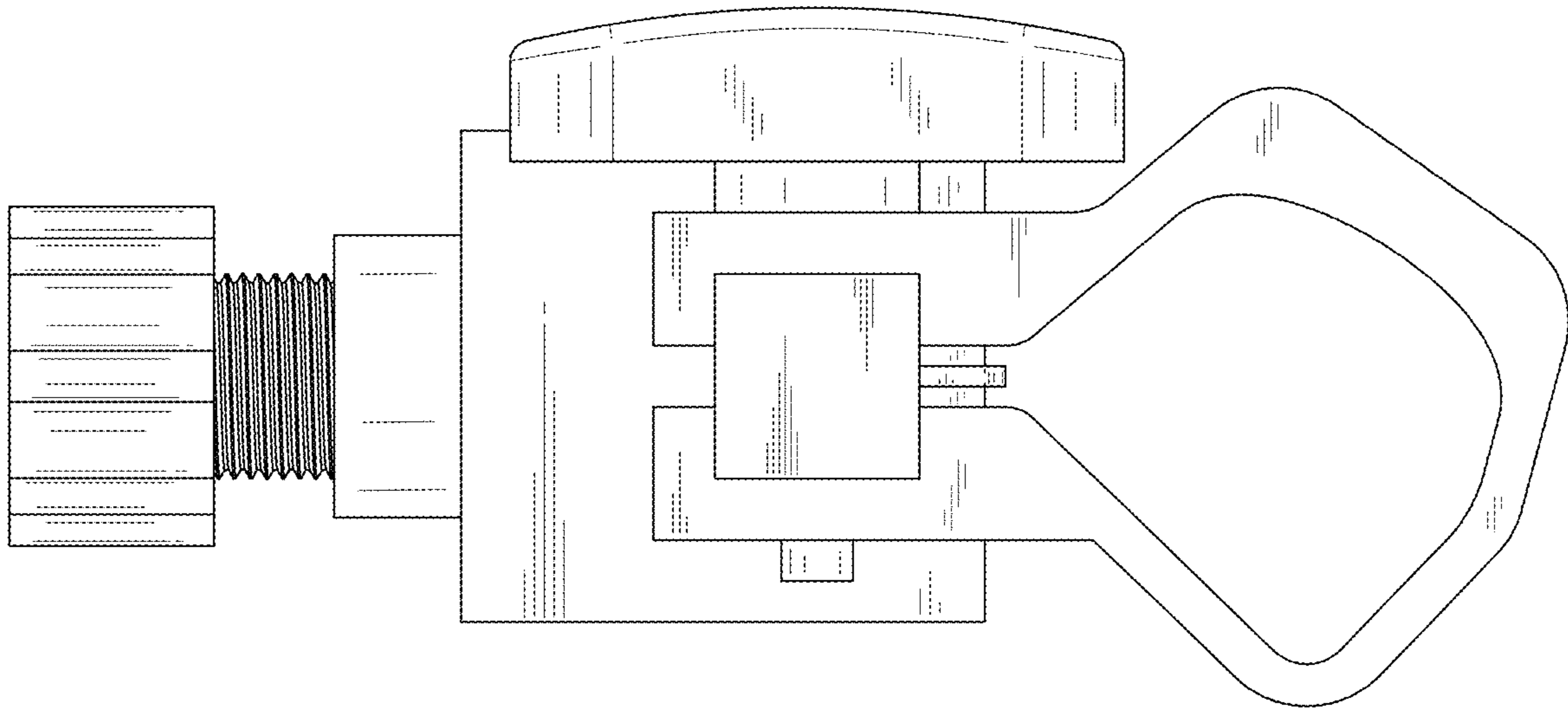


FIG. 8

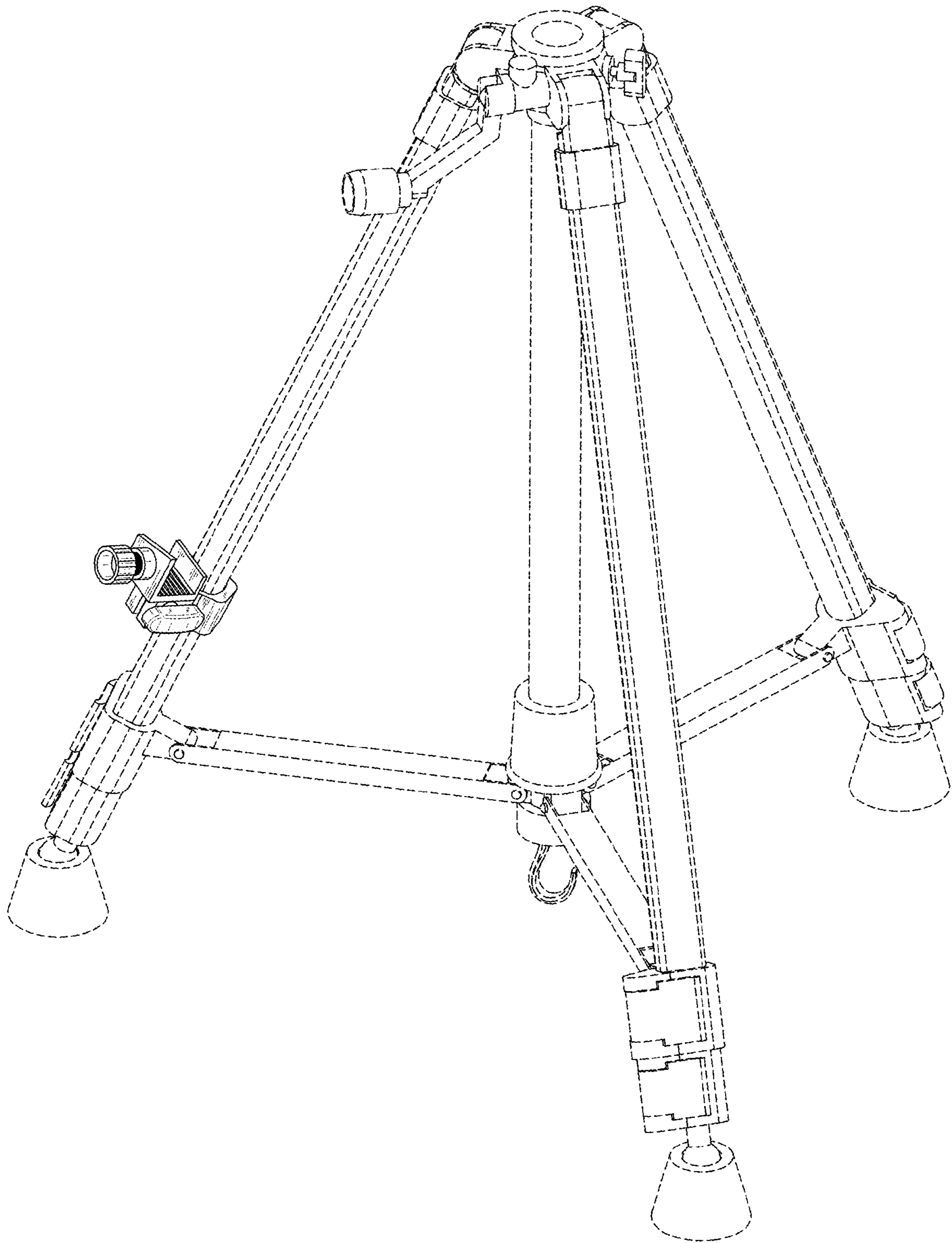


FIG. 9