



US00D981833S

(12) **United States Design Patent**
Su et al.

(10) **Patent No.:** **US D981,833 S**
(45) **Date of Patent:** **** Mar. 28, 2023**

- (54) **SCREW HEAD**
- (71) Applicant: **TAIWAN SHAN YIN INTERNATIONAL CO., LTD.,**
Kaohsiung (TW)
- (72) Inventors: **Kou-Tsair Su, Kaohsiung (TW);**
Chen-Long Su, Kaohsiung (TW)
- (73) Assignee: **TAIWAN SHAN YIN INTERNATIONAL CO., LTD.,**
Kaohsiung (TW)

8,231,320	B2 *	7/2012	Hettich	F16B 35/065
					411/399
8,858,145	B2 *	10/2014	Su	F16B 35/065
					411/399
D853,830	S *	7/2019	Wang	D8/387
10,436,238	B2 *	10/2019	Falkenstein	F16B 25/0015
10,662,994	B2 *	5/2020	Scheerer	F16B 25/0021
D888,545	S *	6/2020	Dissing	D8/387
D898,558	S *	10/2020	Dissing	D8/387
10,801,539	B2 *	10/2020	Su	F16B 25/0052
2005/0063796	A1 *	3/2005	Dicke	F16B 35/065
					411/399

(Continued)

(**) Term: **15 Years**

(21) Appl. No.: **29/803,340**

(22) Filed: **Aug. 12, 2021**

(51) **LOC (14) Cl.** **08-08**

(52) **U.S. Cl.**
USPC **D8/387**

(58) **Field of Classification Search**
USPC D8/387
CPC F16B 23/003; F16B 33/02; F16B 25/0057;
F16B 35/06; F16B 25/106; F16B 35/065;
F16B 25/0047; F16B 25/0015; F16B
25/0052; F16B 25/0084

See application file for complete search history.

(56) **References Cited**

U.S. PATENT DOCUMENTS

1,151,861	A *	8/1915	Brumback	F16B 35/06
					411/399
3,903,784	A *	9/1975	Dekker	F16B 35/065
					411/399
5,683,217	A *	11/1997	Walther	F16B 35/06
					411/399
6,558,097	B2 *	5/2003	Mallet	F16B 25/0031
					411/404
D567,075	S *	4/2008	Kashikura	D8/387

FOREIGN PATENT DOCUMENTS

CN	301095783	*	12/2009
GB	8203575000-1000	*	5/2019

(Continued)

Primary Examiner — Sheryl Lane

Assistant Examiner — Ieisha N Price

(74) *Attorney, Agent, or Firm* — Karin L. Williams; Alan D. Kamrath; Mayer & Williams PC

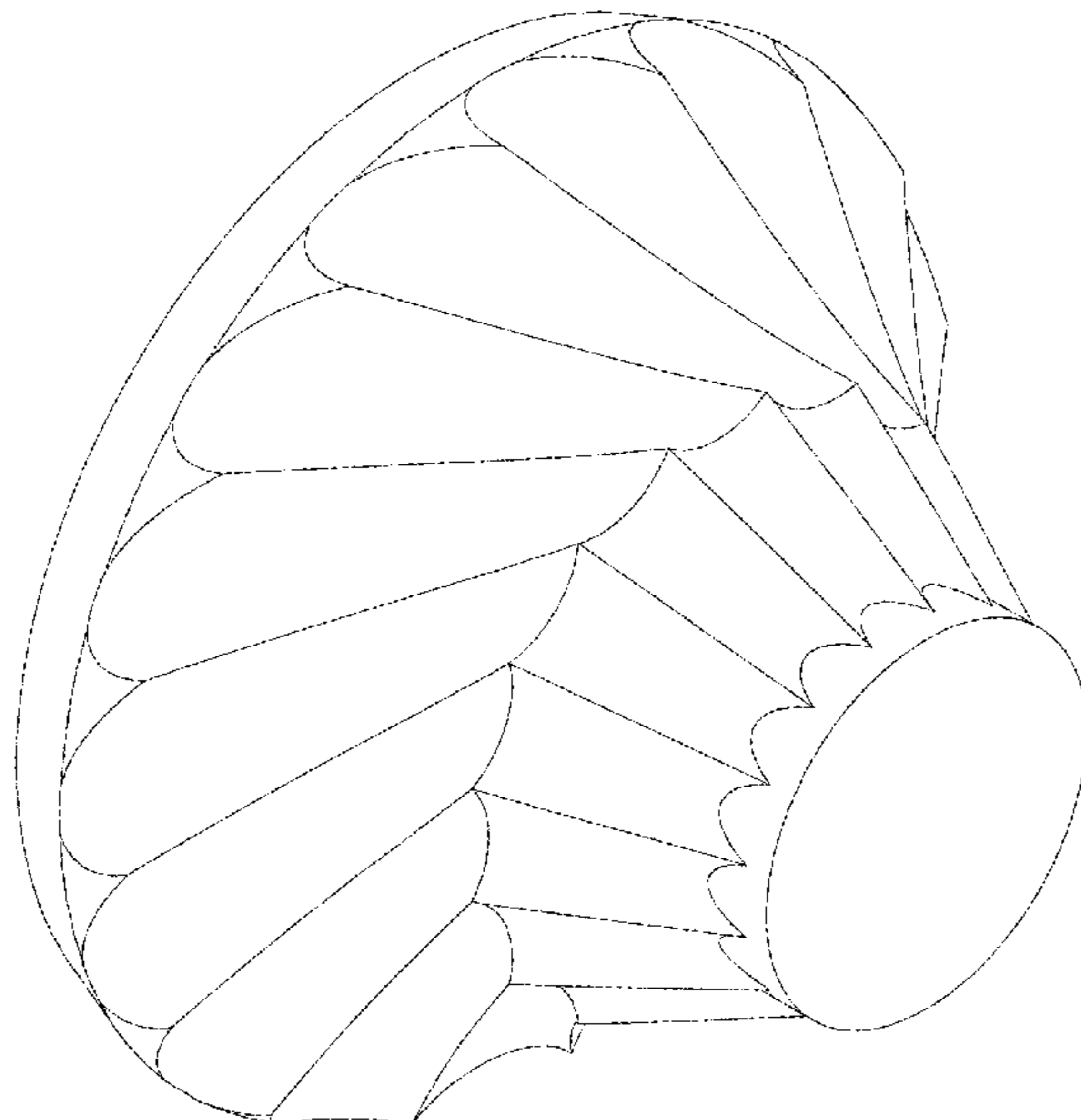
(57) **CLAIM**

The ornamental design for a screw head, as shown and described.

DESCRIPTION

FIG. 1 is a perspective view of a screw head showing my new design;
FIG. 2 is a front elevational view thereof;
FIG. 3 is a rear elevational view thereof;
FIG. 4 is a left side view thereof;
FIG. 5 is a right side view thereof;
FIG. 6 is a top plan view thereof;
FIG. 7 is a bottom plan view thereof; and,
FIG. 8 is an environmental perspective view of thereof.
The broken lines in the drawings illustrate portions of the screw head and form no part of the claimed design.

1 Claim, 8 Drawing Sheets



(56)

References Cited

U.S. PATENT DOCUMENTS

2007/0237606 A1* 10/2007 Takasaki F16B 25/10
 411/387.2
 2010/0143070 A1* 6/2010 Hettich F16B 35/065
 411/399
 2011/0164944 A1* 7/2011 Hughes F16B 35/065
 411/393
 2011/0229286 A1* 9/2011 Chang F16B 25/0078
 411/387.2
 2013/0011214 A1* 1/2013 Lin F16B 25/0057
 411/387.4
 2014/0178150 A1* 6/2014 Su F16B 25/0015
 411/399
 2015/0184685 A1* 7/2015 Su F16B 25/103
 411/387.2
 2016/0290382 A1* 10/2016 Dill F16B 35/06
 2018/0245620 A1* 8/2018 Huang F16B 35/065
 2019/0186527 A1* 6/2019 Shih F16B 25/103
 2020/0056647 A1* 2/2020 Su F16B 25/103
 2020/0096034 A1* 3/2020 Su F16B 25/0052
 2020/0386256 A1* 12/2020 Dissing F16B 25/0015
 2021/0102571 A1* 4/2021 Hu F16B 25/0015
 2021/0372457 A1* 12/2021 Dissing F16B 25/0015
 2022/0056942 A1* 2/2022 Dissing F16B 25/0015

FOREIGN PATENT DOCUMENTS

JP D1355170 * 4/2009
 JP D1544751 * 2/2016
 KR 300878443.0000 * 10/2016
 KR 300889466.0000 * 1/2017
 WO WOD200585-001 * 4/2019
 WO WOD203575-001 * 11/2019

* cited by examiner

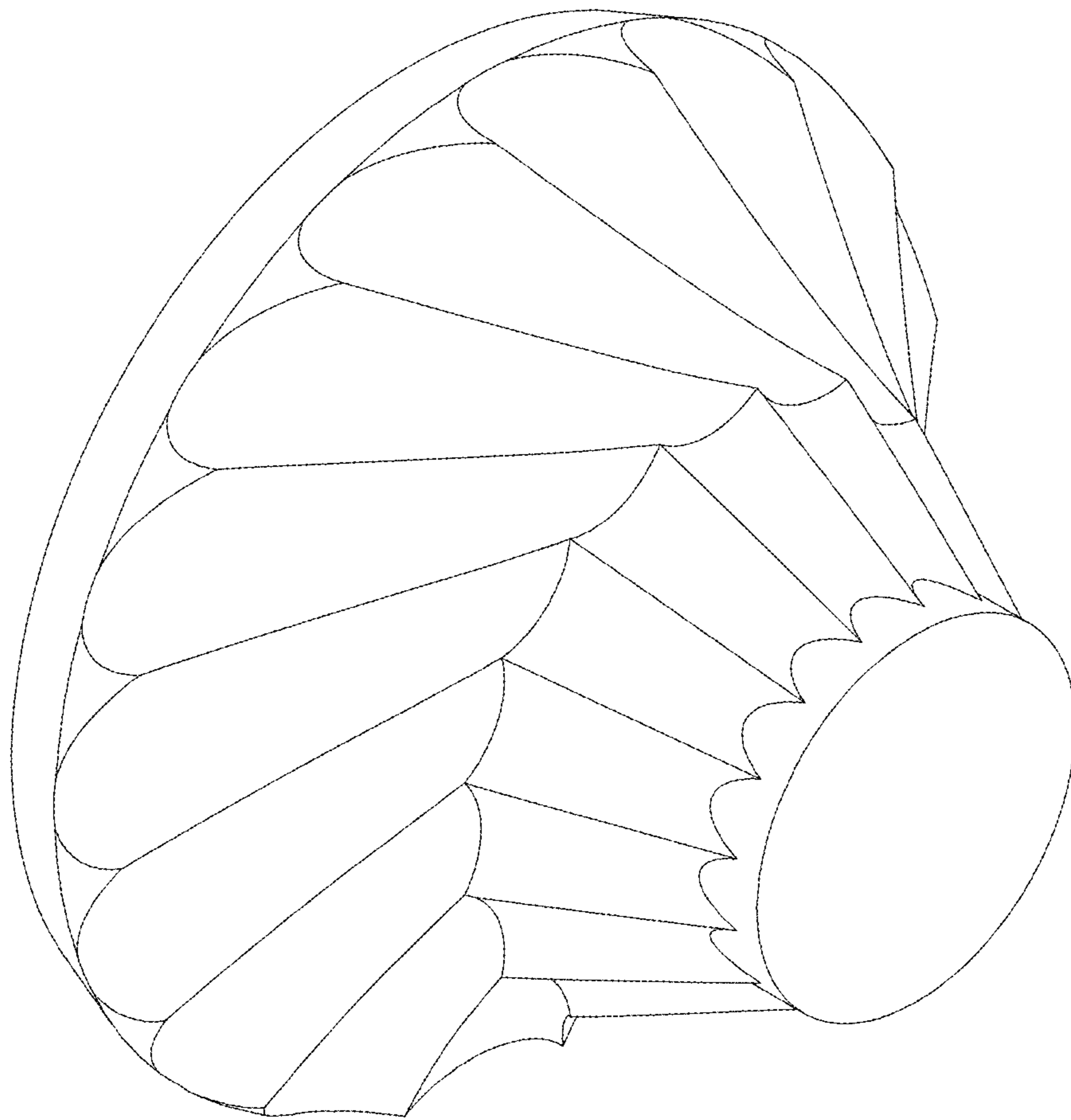


FIG. 1

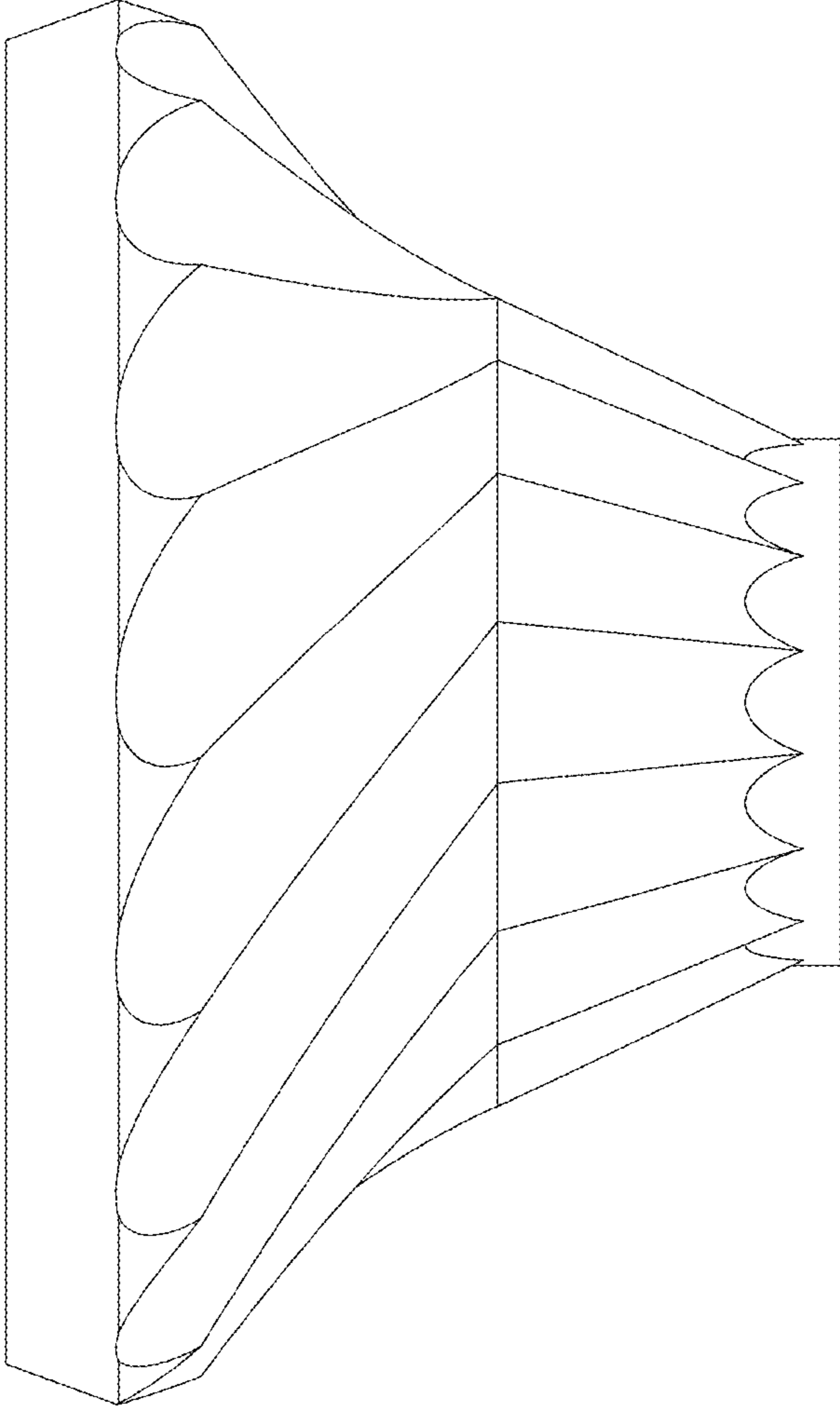


FIG. 2

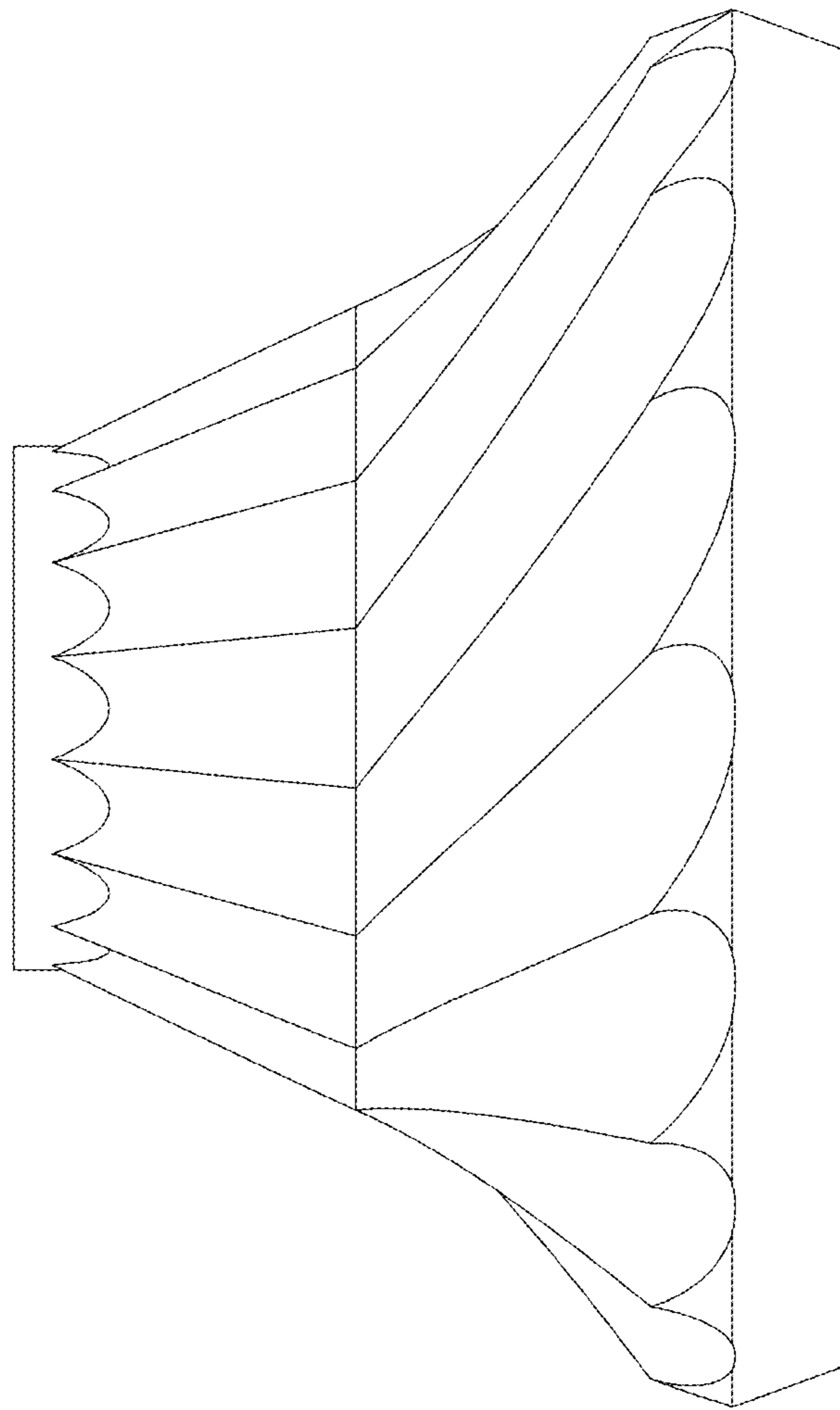


FIG. 3

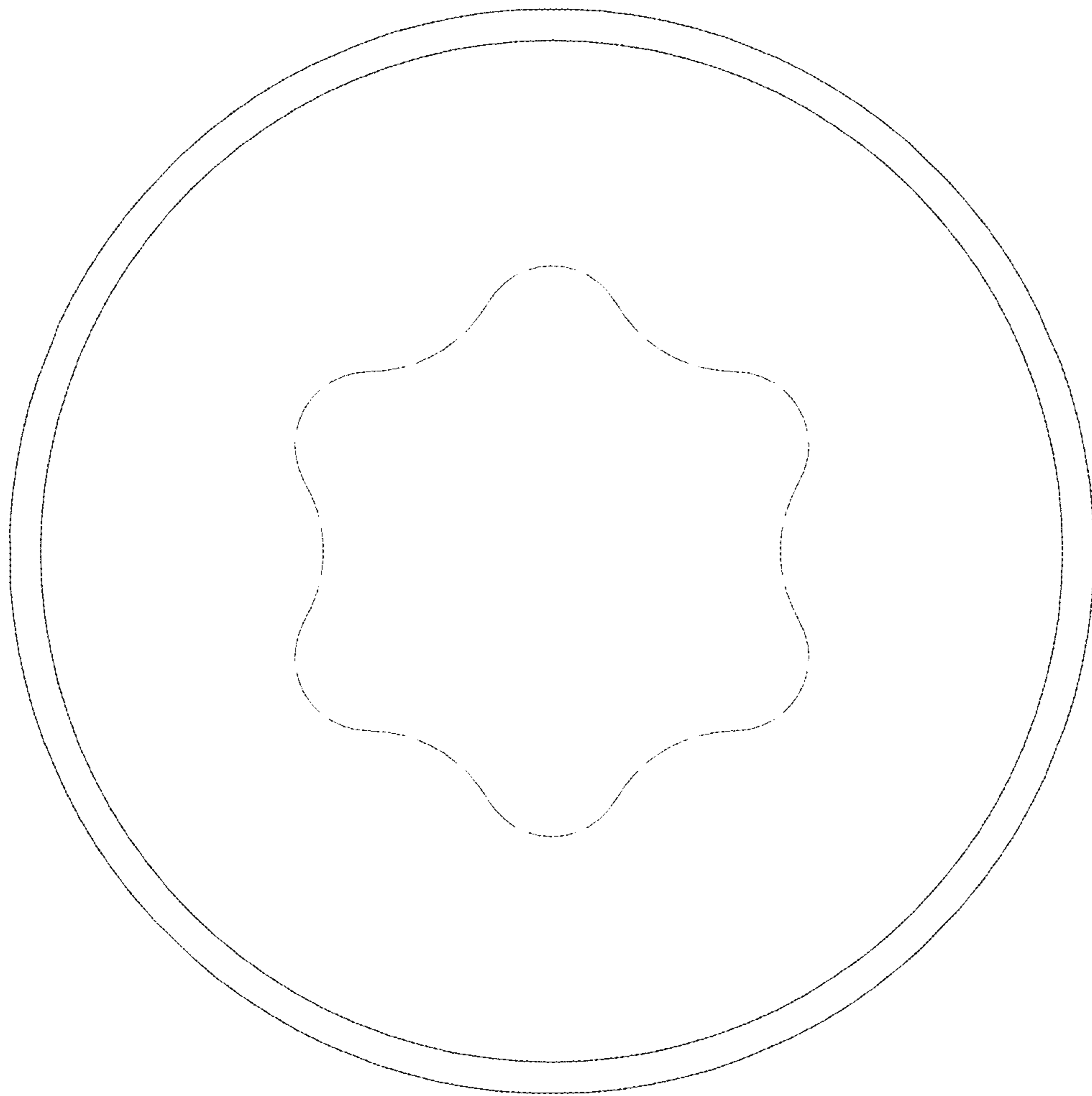


FIG. 4

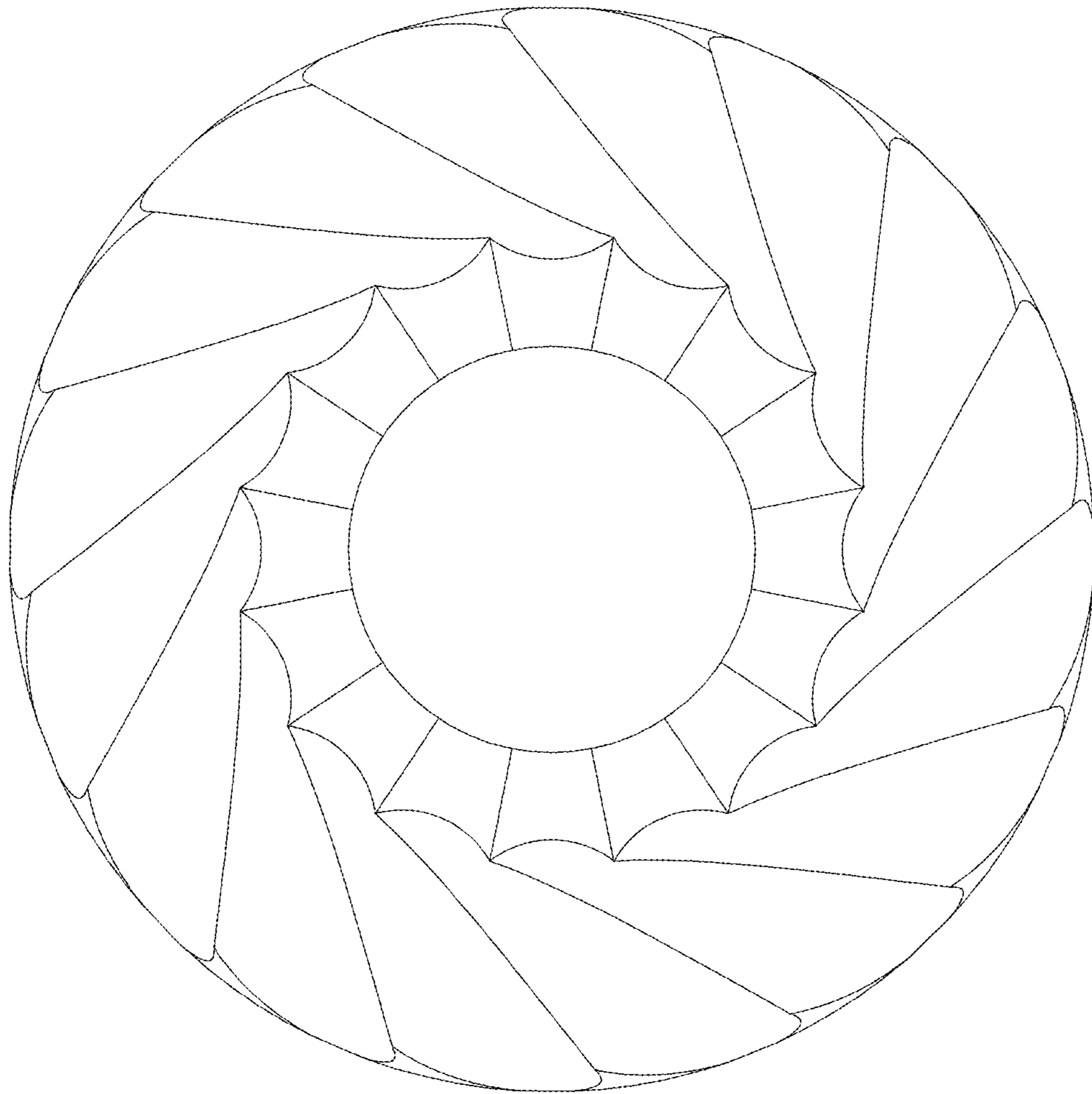


FIG. 5

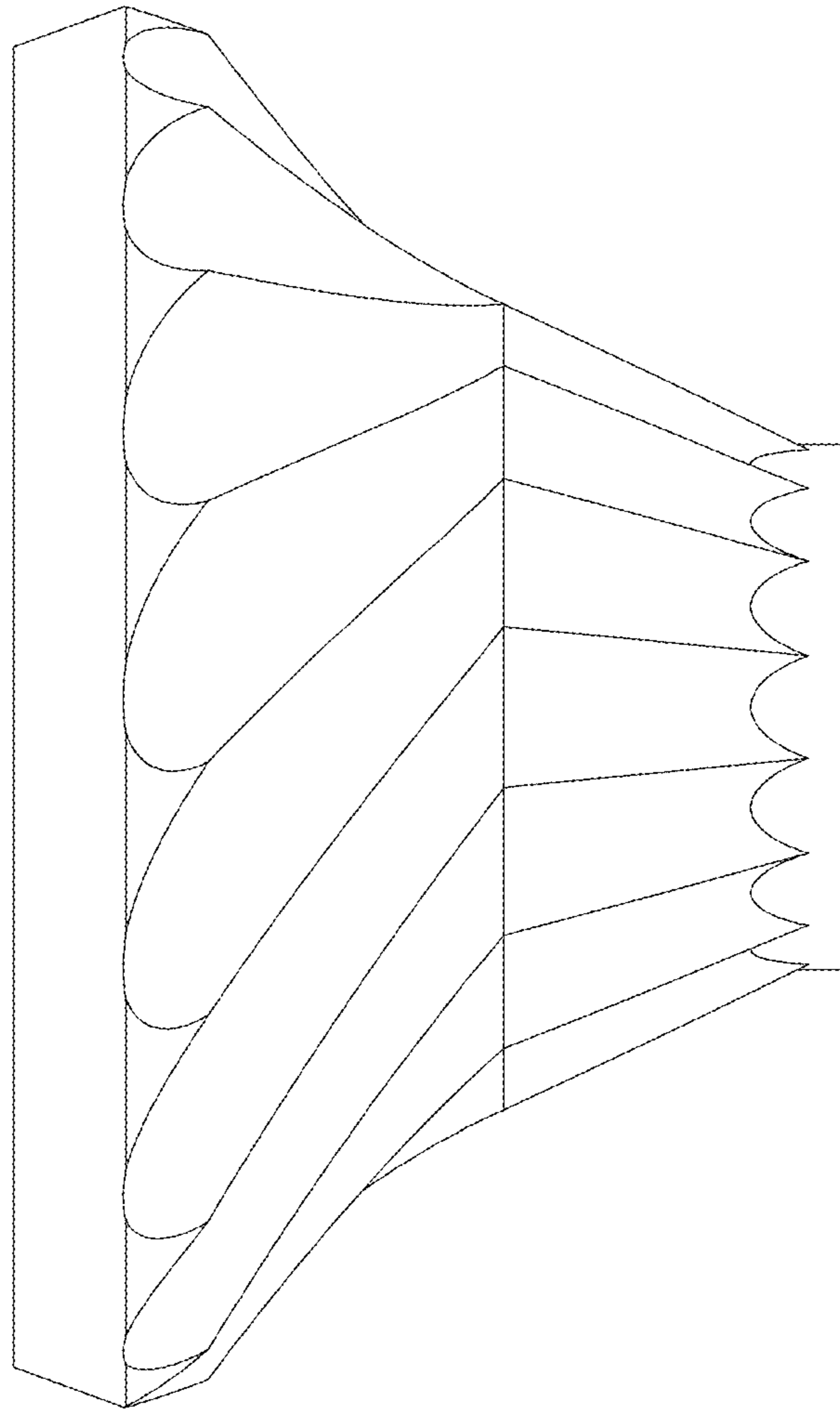


FIG. 6

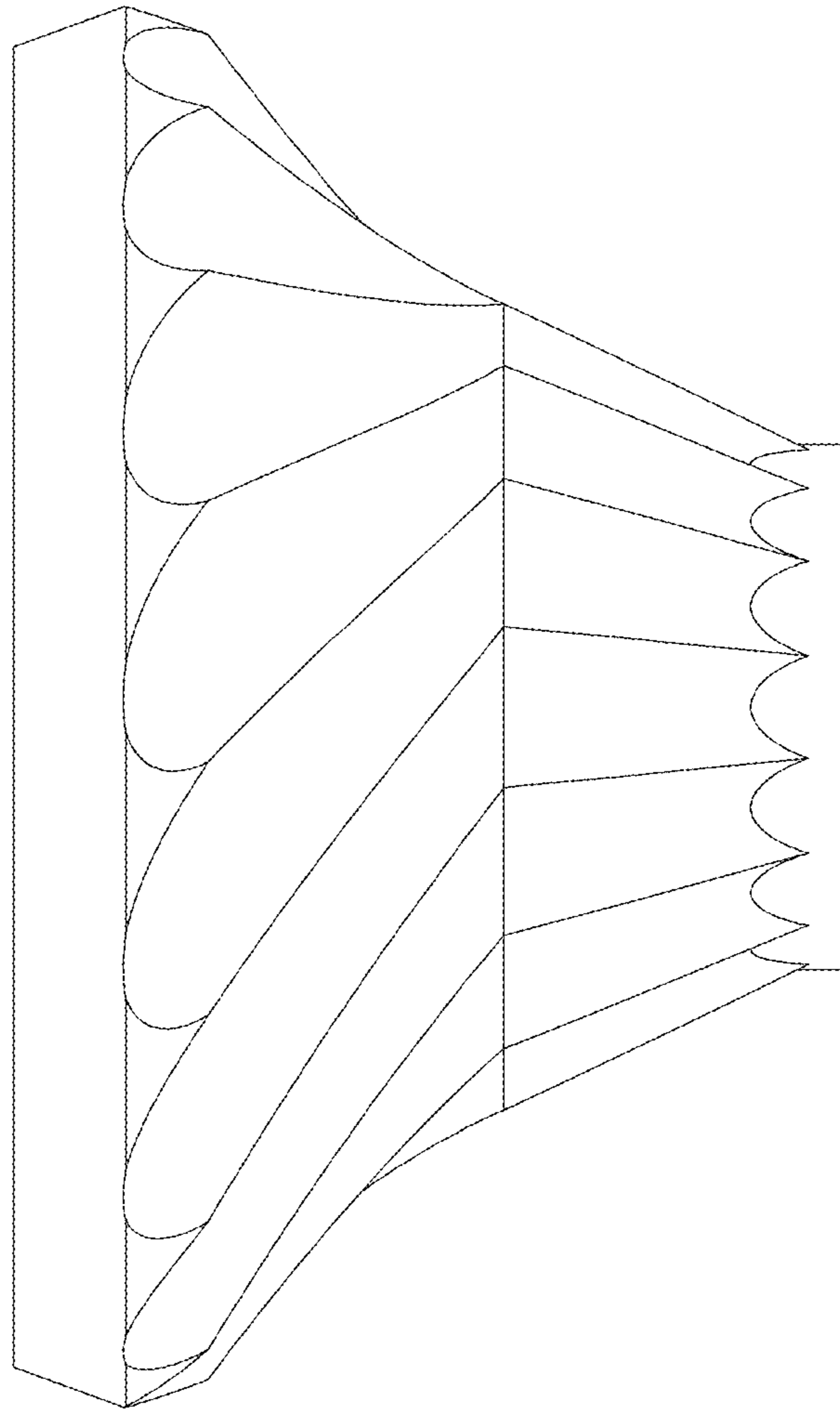


FIG. 7

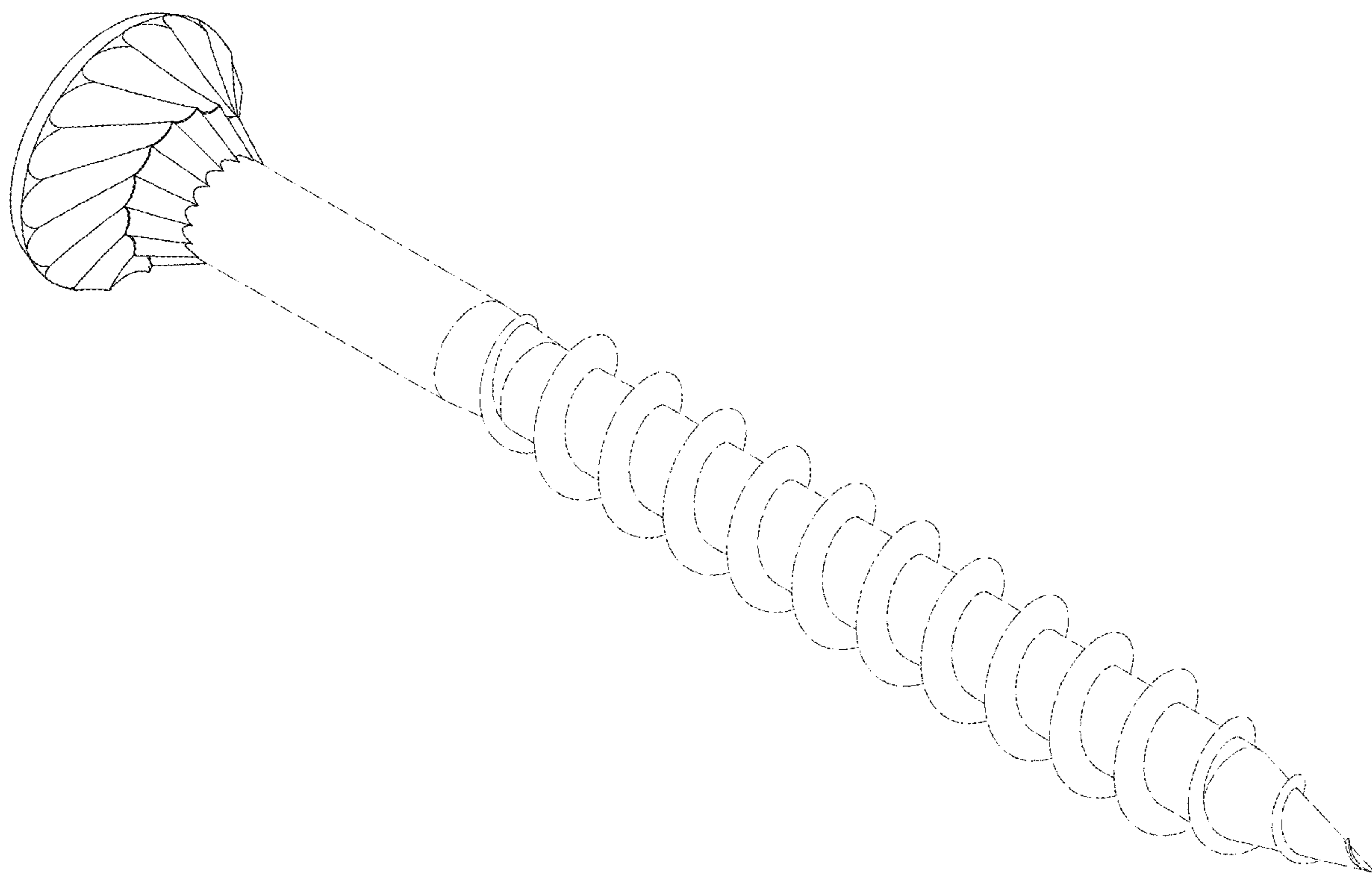


FIG. 8