



US00D981831S

(12) **United States Design Patent**
Axelsson et al.

(10) **Patent No.:** **US D981,831 S**
(45) **Date of Patent:** **** Mar. 28, 2023**

(54) **FASTENING DEVICE**
(71) Applicant: **MAFI AB**, Mora (SE)
(72) Inventors: **Andreas Axelsson**, Malung (SE); **Sven Bruckmann**, Orsa (SE)
(73) Assignee: **MAFI AB**, Mora (SE)
(**) Term: **15 Years**
(21) Appl. No.: **29/800,046**
(22) Filed: **Jul. 19, 2021**
(30) **Foreign Application Priority Data**

D495,713 S * 9/2004 Pfister D14/432
D548,051 S * 8/2007 Ruppert D8/354
8,350,778 B2 * 1/2013 Yeh H01Q 3/02
343/882
9,123,987 B2 * 9/2015 Lettkeman H01Q 1/1221
D835,972 S * 12/2018 Patil F01N 13/1855
D8/354
D902,701 S * 11/2020 Smith D8/366
D902,702 S * 11/2020 Smith D8/366
D944,633 S * 3/2022 Axelsson D8/382
D951,762 S * 5/2022 Axelsson D8/382
2001/0045913 A1 * 11/2001 Fedder H01Q 1/125
343/882
2003/0155474 A1 * 8/2003 Dean G11B 33/124
248/300
2006/0231693 A1 * 10/2006 Lin H01Q 1/1207
248/121

(Continued)

Jan. 18, 2021 (EM) 008405302-0002

(51) **LOC (14) Cl.** **08-08**
(52) **U.S. Cl.**
USPC **D8/382**
(58) **Field of Classification Search**
USPC D8/16, 71, 72, 380, 381, 382, 349, 354,
D8/394; D10/103, 121; D13/133, 149,
D13/154
CPC H01Q 1/12; H01Q 1/1207; H01Q 1/1228;
H01Q 1/125; F16L 3/02; F16L 3/10;
F16L 3/1016; F16L 3/1091; F16B 2/12;
F16B 2/065; F16B 7/00; F16B 7/04;
F16B 7/0446; F16B 7/0486; F16M
13/022

See application file for complete search history.

(56) **References Cited**

U.S. PATENT DOCUMENTS

D317,250 S * 6/1991 Shook D8/380
5,941,497 A * 8/1999 Inoue H01Q 1/125
248/514
6,232,928 B1 * 5/2001 Zimmerman H01Q 1/1242
343/890
D445,019 S * 7/2001 Vitetta D8/349

FOREIGN PATENT DOCUMENTS

CN 300826992 * 9/2008
CN 306429918 * 4/2021
EM 003537034-0011 * 12/2016

Primary Examiner — Sheryl Lane

Assistant Examiner — I. N. P

(74) *Attorney, Agent, or Firm* — Nixon & Vanderhye P.C.

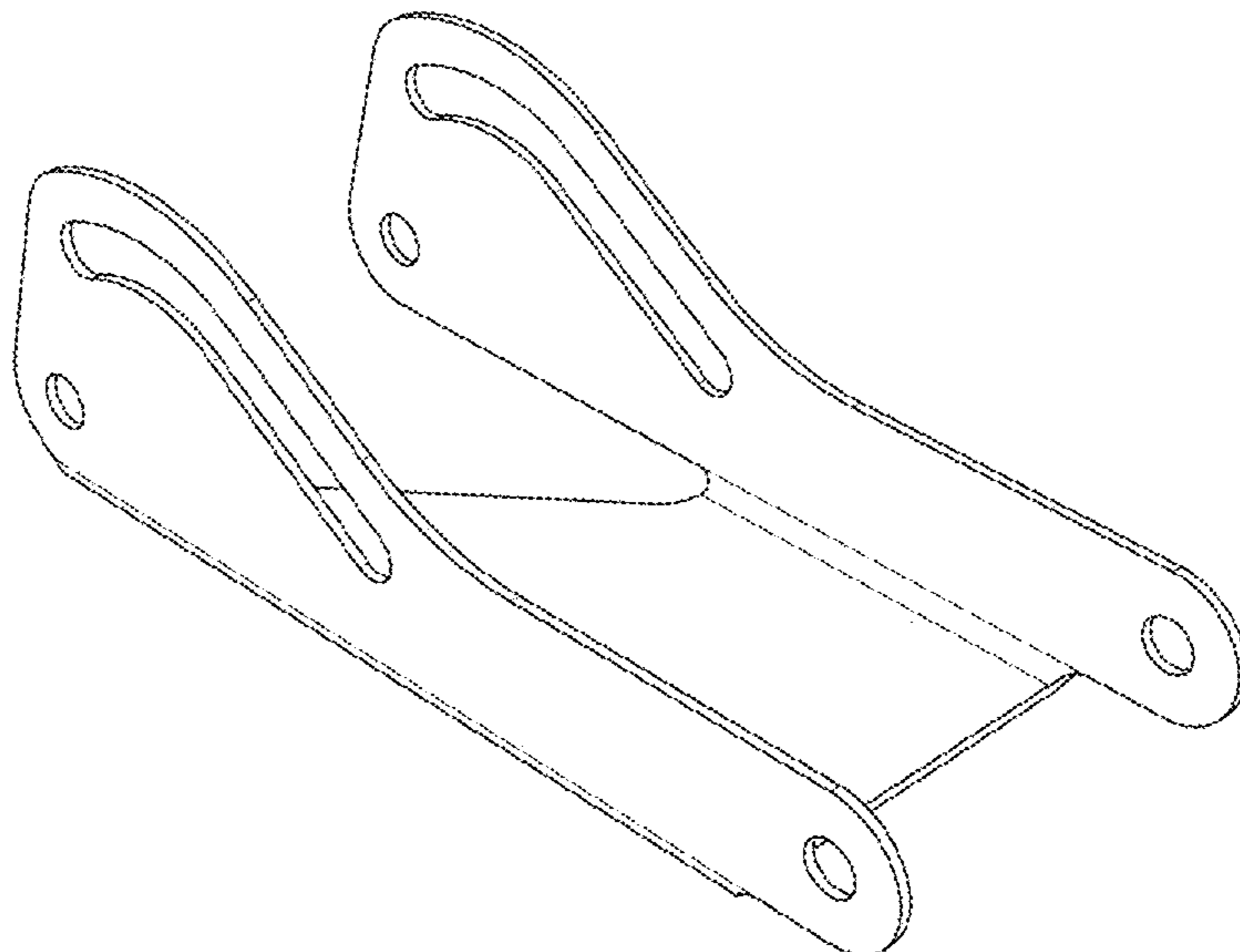
(57) **CLAIM**

The ornamental design for a fastening device, as shown and described.

DESCRIPTION

FIG. 1 is a top, front, left-side perspective view of a fastening device;
FIG. 2 is a bottom, right-side perspective view thereof;
FIG. 3 is a bottom plan view thereof;
FIG. 4 is a top plan view thereof;
FIG. 5 is a front elevation view thereof;
FIG. 6 is a right-side elevation view thereof; and,
FIG. 7 is a left-side elevation view thereof.

1 Claim, 7 Drawing Sheets



(56)

References Cited

U.S. PATENT DOCUMENTS

2007/0177064 A1* 8/2007 Lin H01Q 3/04
348/838
2008/0165076 A1* 7/2008 Pan H01Q 1/125
343/882
2010/0156751 A1* 6/2010 Yang H01Q 1/12
343/882
2010/0259462 A1* 10/2010 Yeh H01Q 3/02
343/882
2010/0314514 A1* 12/2010 Nelson F16M 11/2021
248/218.4
2011/0031360 A1* 2/2011 Pan H01Q 1/1207
248/201
2012/0211624 A1* 8/2012 Lin H01Q 1/125
248/292.14
2012/0211632 A1* 8/2012 Yang H01Q 1/1207
248/397
2015/0136920 A1* 5/2015 Hemmervall F16B 5/0233
248/201
2019/0207292 A1* 7/2019 Bailey H01Q 3/06
2019/0390817 A1* 12/2019 Pei F16M 11/08
2021/0153377 A1* 5/2021 Kutsche H02B 1/0523
2021/0367320 A1* 11/2021 Wang H01Q 1/1264

* cited by examiner

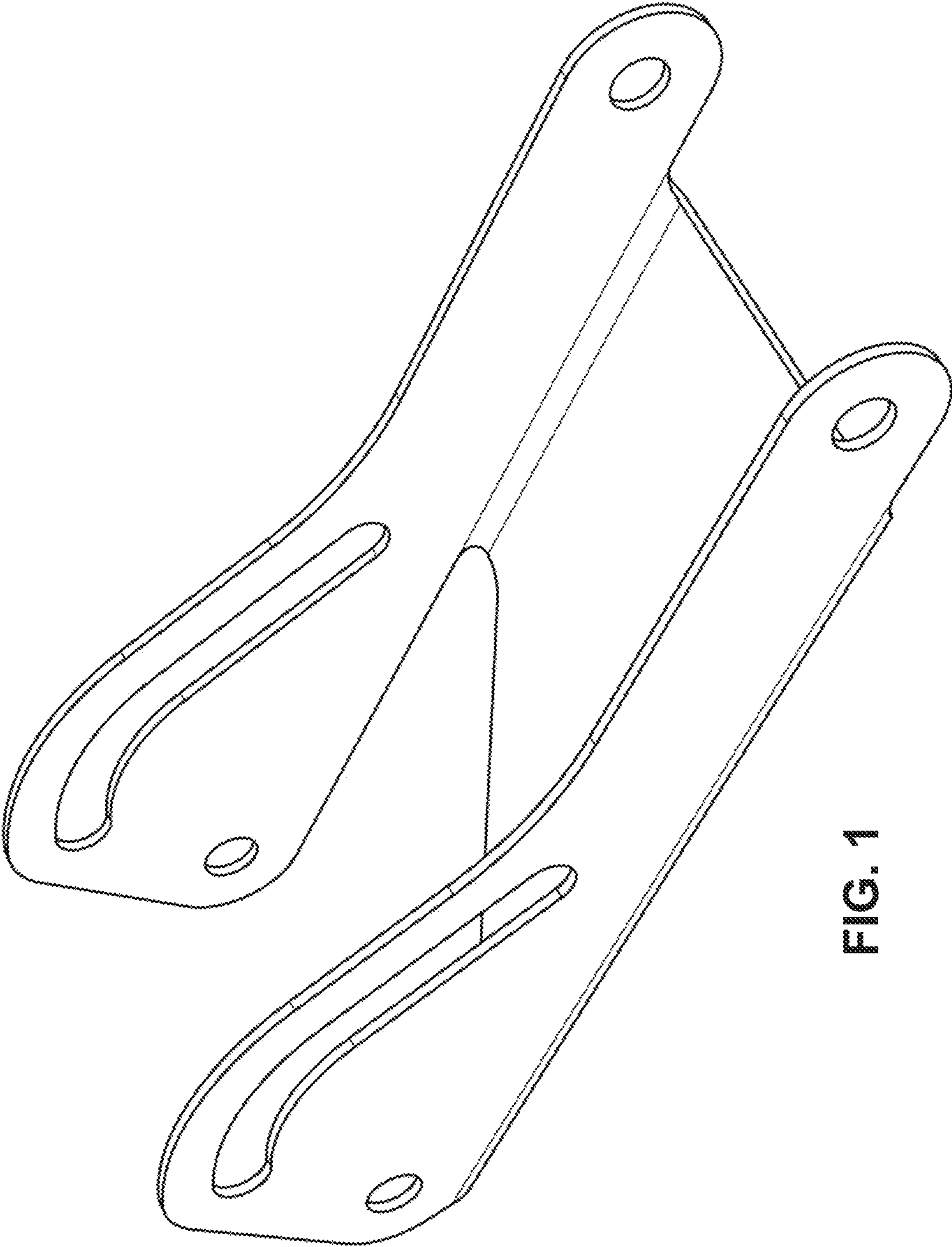


FIG. 1

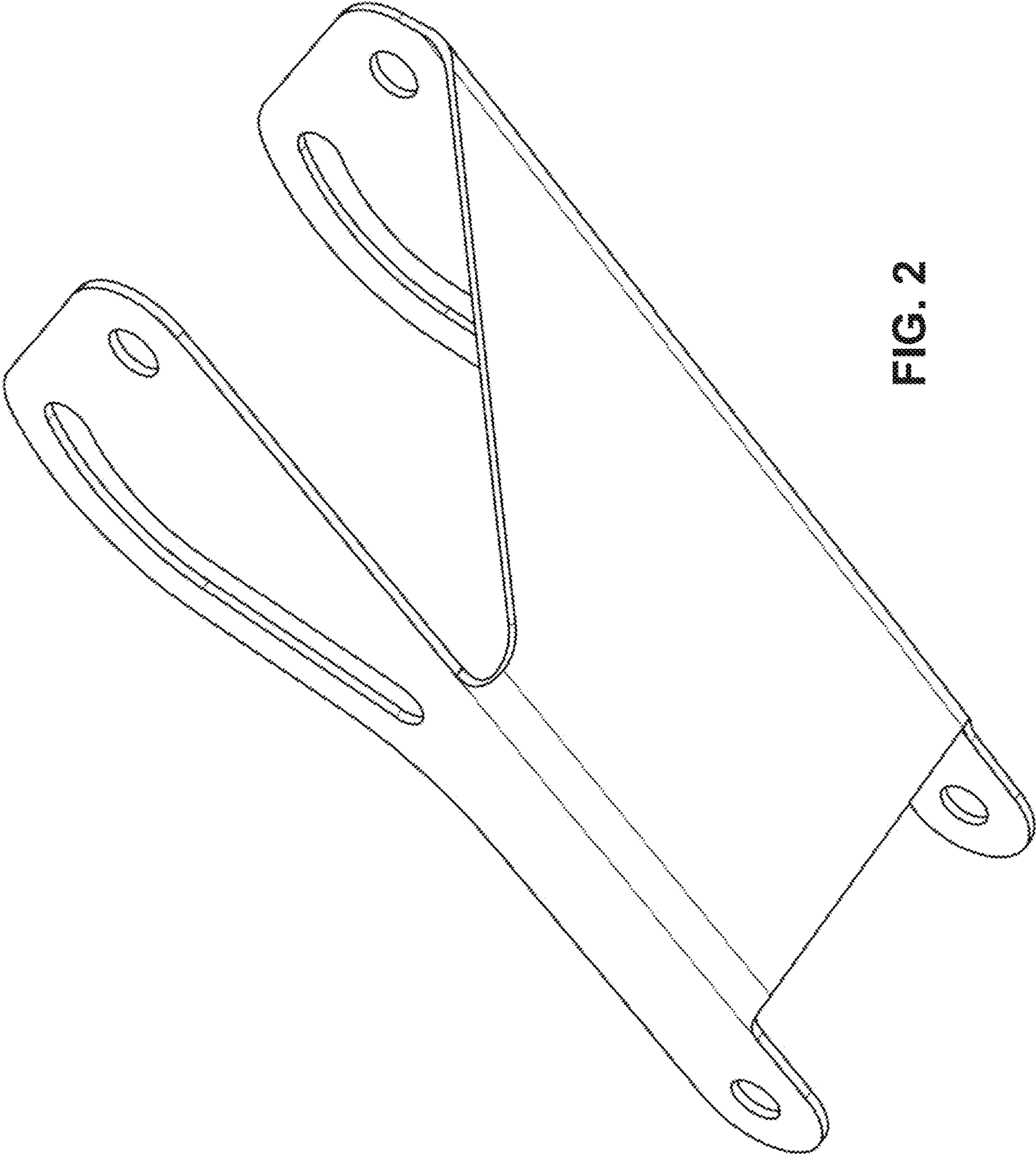


FIG. 2

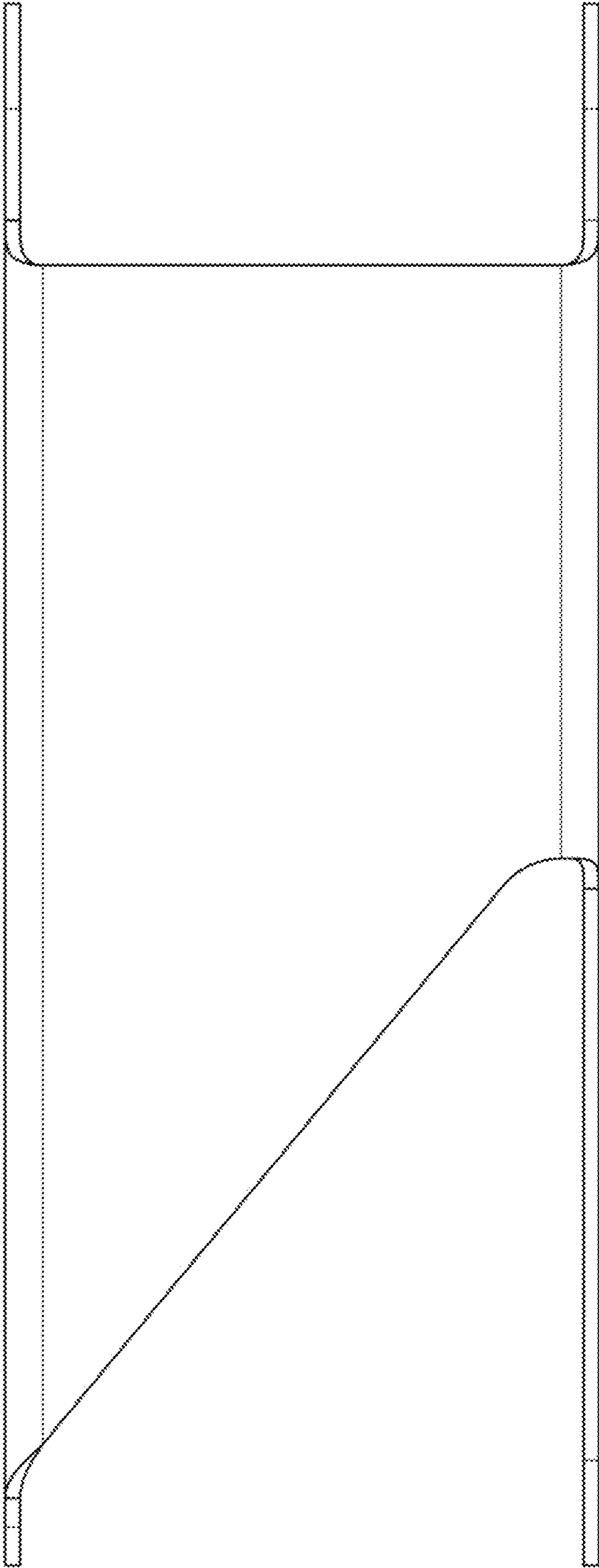


FIG. 3

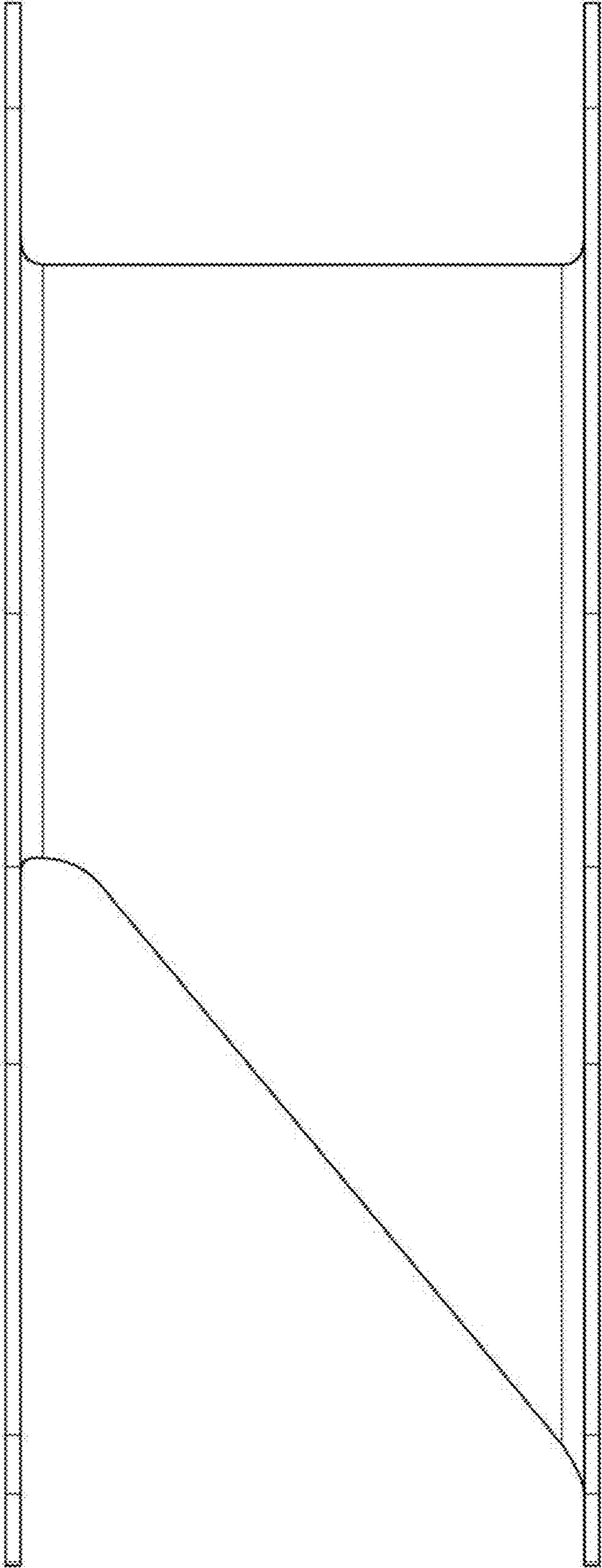


FIG. 4

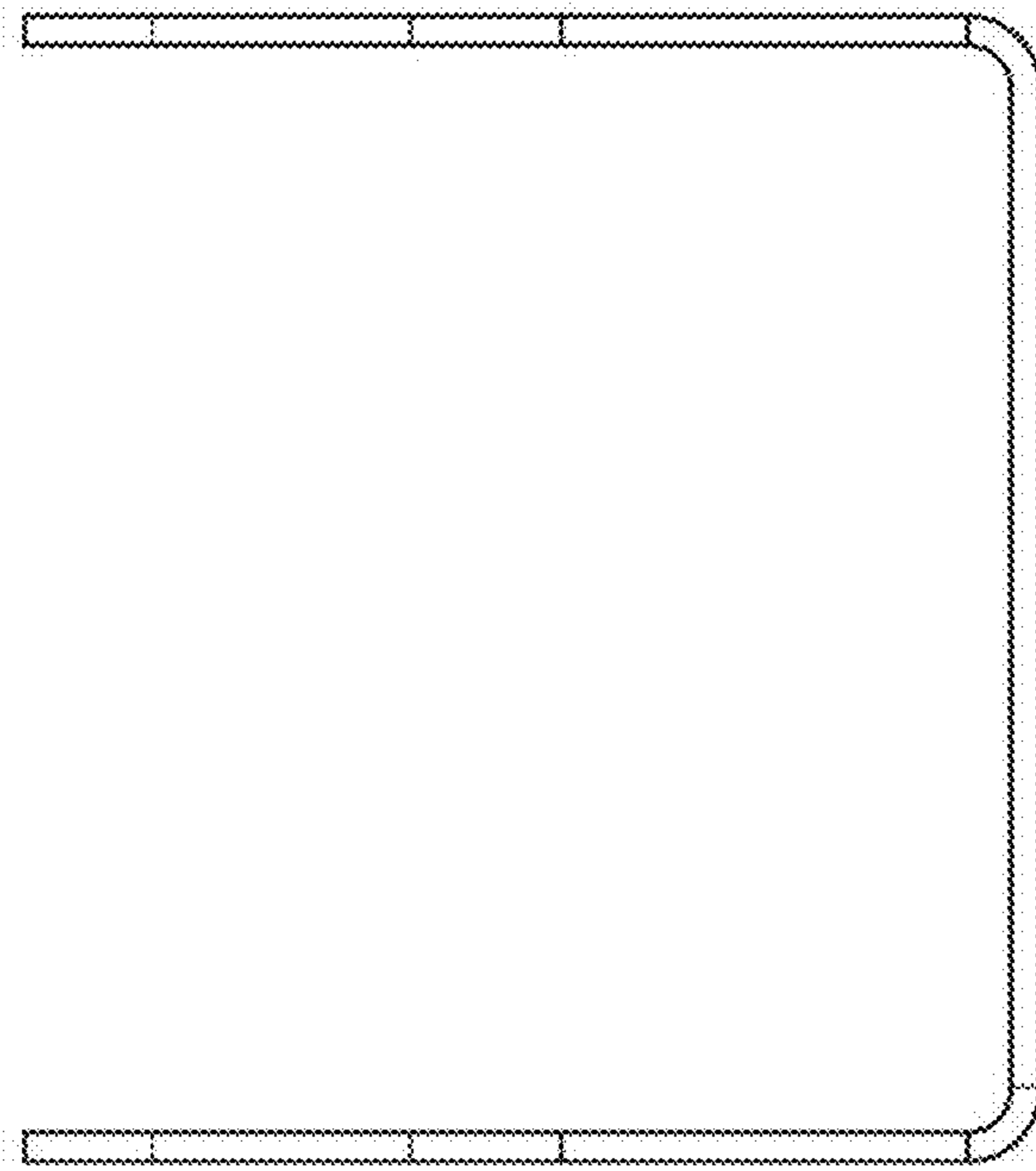


FIG. 5

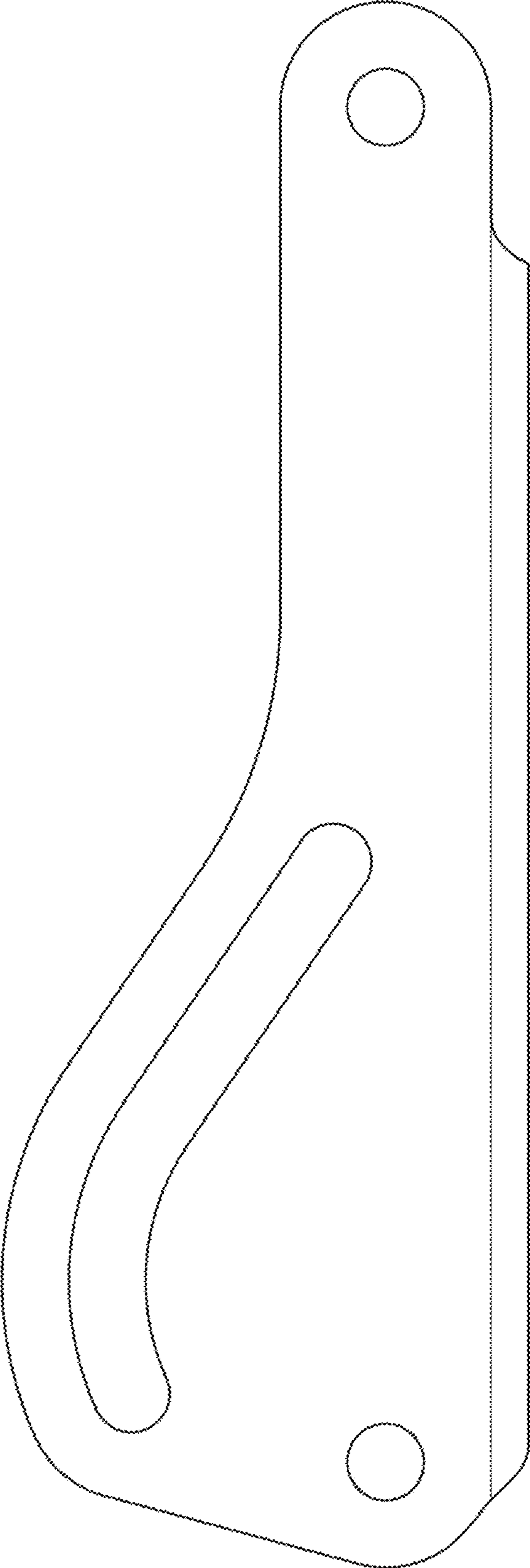


FIG. 6

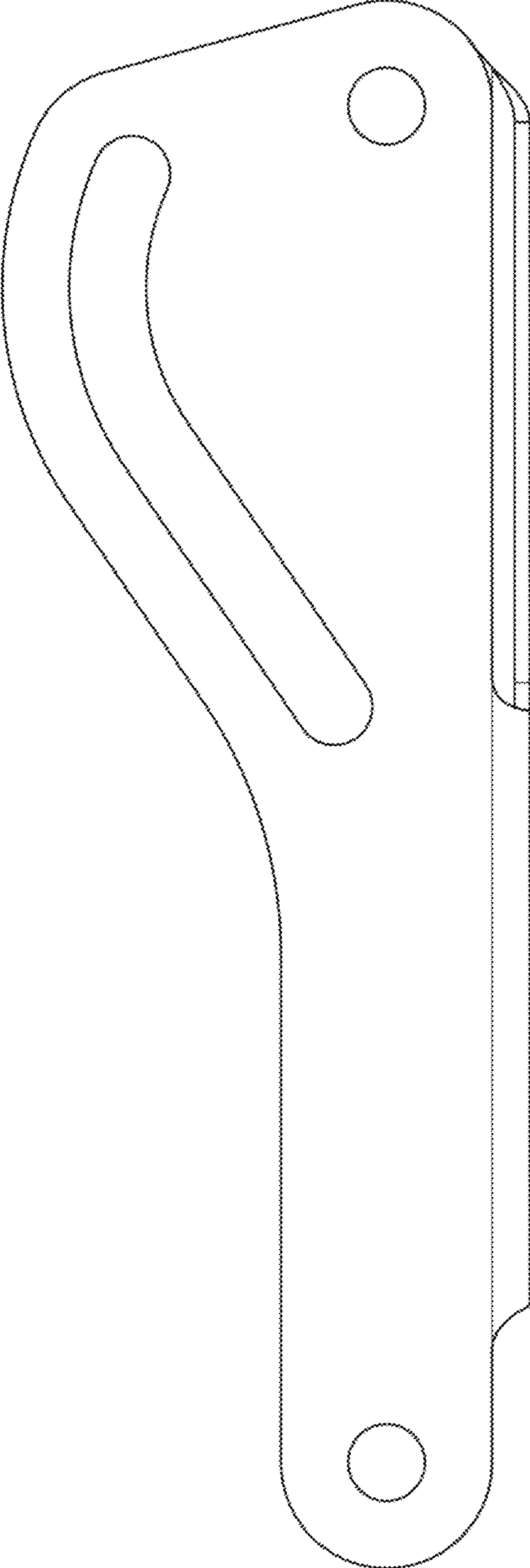


FIG. 7