



US00D981830S

(12) **United States Design Patent** (10) **Patent No.:** **US D981,830 S**
Bengtsson (45) **Date of Patent:** **** Mar. 28, 2023**

(54) **FASTENING DEVICE**
(71) Applicant: **Troax AB**, Hillerstorp (SE)
(72) Inventor: **Staffan Bengtsson**, Gnosjö (SE)
(73) Assignee: **TROAX AB**
(**) Term: **15 Years**
(21) Appl. No.: **29/795,380**
(22) Filed: **Jun. 17, 2021**

D547,168 S 7/2007 Churchill
D549,089 S 8/2007 Jun et al.
D550,540 S 9/2007 Nawrocki
D599,649 S 9/2009 Wakasugi et al.
D610,717 S * 2/2010 Lin E04H 12/2261
D25/133
D628,057 S 11/2010 Benne
D628,539 S 12/2010 Tezak et al.
D801,795 S * 11/2017 Huang D8/382
D802,406 S * 11/2017 Milner D8/382
D829,537 S * 10/2018 Smith D8/366
D842,684 S * 3/2019 House D8/354
10,299,592 B2 * 5/2019 Goerges F16B 12/44
D856,125 S * 8/2019 Milner D8/396

(Continued)

Related U.S. Application Data

(62) Division of application No. 35/509,653, filed on Dec. 19, 2019 (U.S. filing date under 35 U.S.C. 384), and having an international filing date of Dec. 19, 2019, now Pat. No. Des. 936,468.
(51) **LOC (14) Cl.** **08-08**
(52) **U.S. Cl.**
USPC **D8/382**
(58) **Field of Classification Search**
USPC D8/382, 349, 354; D6/329, 332, 363, D6/378, 702; D25/133, 134, 135
CPC E04B 1/38; E04H 17/163; E04H 17/08; F16B 12/40; F16B 2012/403; F16B 2012/406; F16B 12/42; F16B 12/44
See application file for complete search history.

FOREIGN PATENT DOCUMENTS

CN 303156896 * 4/2015
CN 303787889 * 8/2016
CN 303802568 * 8/2016

Primary Examiner — Sheryl Lane
Assistant Examiner — Ieisha N Price
(74) *Attorney, Agent, or Firm* — Tucker Ellis LLP

(57) **CLAIM**

The ornamental design for a fastening device, as shown and described.

DESCRIPTION

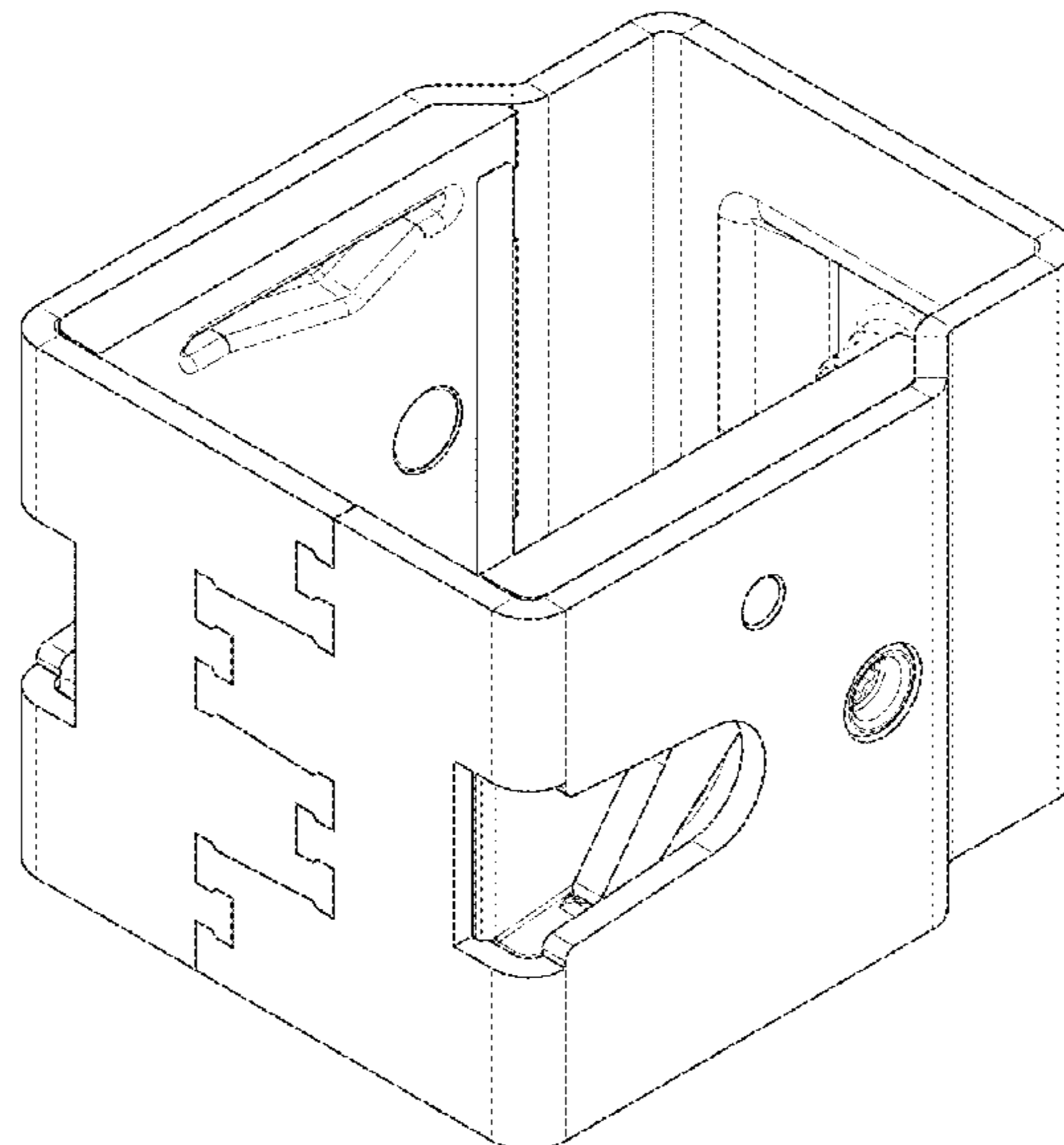
FIG. 1 is a front, left and top perspective view of a fastening device embodying my new design;
FIG. 2 is a rear, right and top perspective view thereof;
FIG. 3 is a front view thereof;
FIG. 4 is a rear view thereof;
FIG. 5 is a left side view thereof;
FIG. 6 is a right side view thereof; and,
FIG. 7 is a top view thereof.
The broken lines in the drawings illustrate portions of the fastening device and form no part of the claimed design.

(56) **References Cited**

U.S. PATENT DOCUMENTS

3,536,281 A 10/1970 Meehan et al.
3,722,928 A 3/1973 Skubic
D257,950 S 1/1981 Van Meter, Jr. et al.
D269,589 S 7/1983 Nakama
5,046,705 A * 9/1991 Williams E04H 17/08
256/70
D443,196 S 6/2001 Sosa
D443,815 S 6/2001 Adriaenssens
D467,792 S 12/2002 Zadak et al.

1 Claim, 7 Drawing Sheets



(56)

References Cited

U.S. PATENT DOCUMENTS

10,612,577 B2 * 4/2020 Nelson F16B 12/50
D891,229 S * 7/2020 Hohmann, Jr. D8/354
D906,788 S * 1/2021 Ochi D8/354
D927,965 S * 8/2021 Bowron D8/354
D929,209 S * 8/2021 Bowron D8/354
D936,244 S * 11/2021 Styrc D25/133
D936,468 S * 11/2021 Bengtsson D8/382
D936,860 S * 11/2021 Styrc D25/133
D937,668 S * 12/2021 Baez D8/382
2002/0104938 A1 * 8/2002 Simard A47B 96/06
248/220.21
2013/0139461 A1 * 6/2013 Herbertsson E04B 1/38
52/582.2
2014/0082921 A1 * 3/2014 Adams, Jr. F16B 7/04
29/525.02
2016/0083974 A1 * 3/2016 Meza E04H 17/163
248/219.4
2016/0262541 A1 * 9/2016 Goerges A47B 47/0016
2016/0305113 A1 * 10/2016 Hatzinikolas E04F 13/0857

* cited by examiner

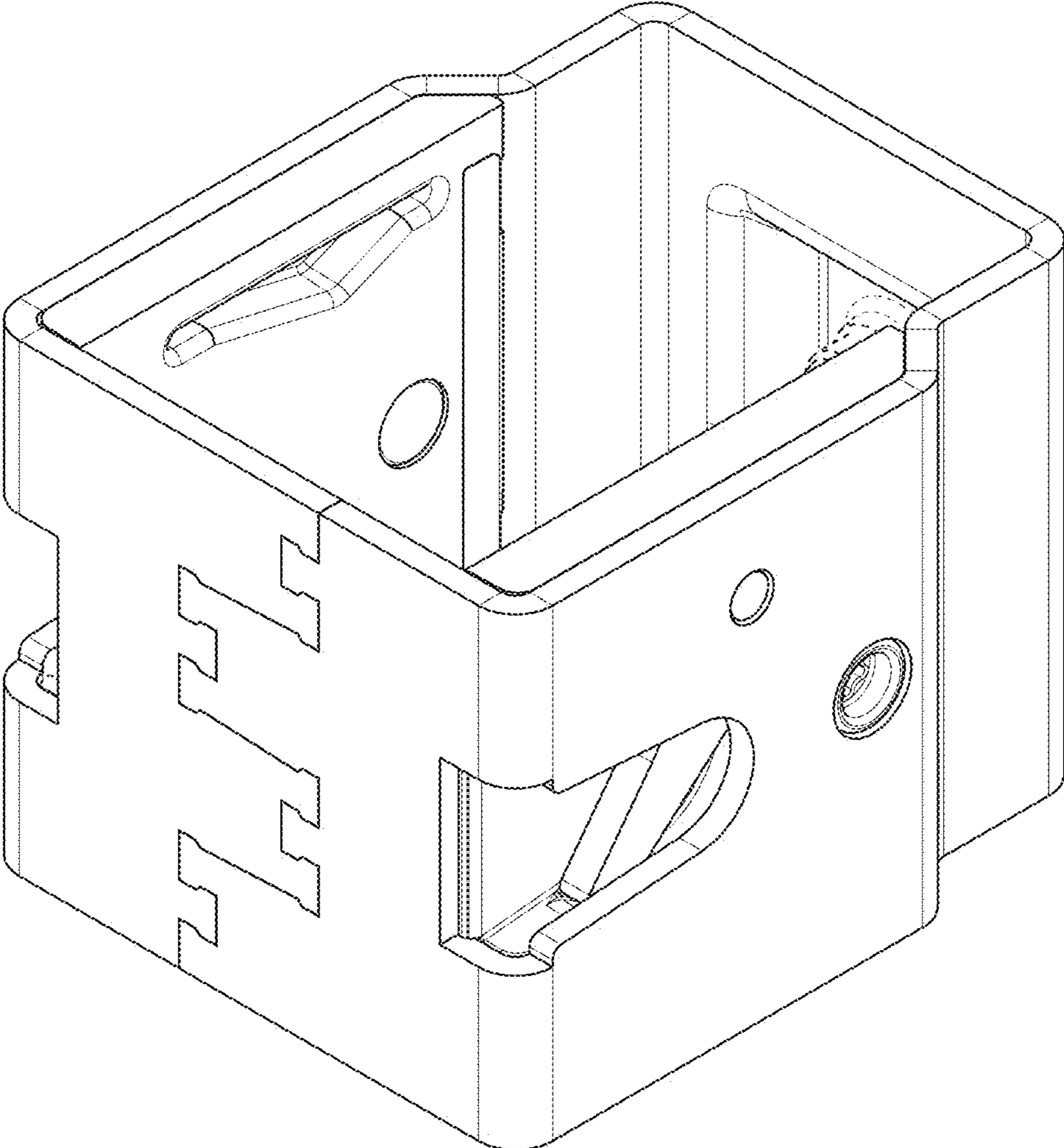


FIG. 1

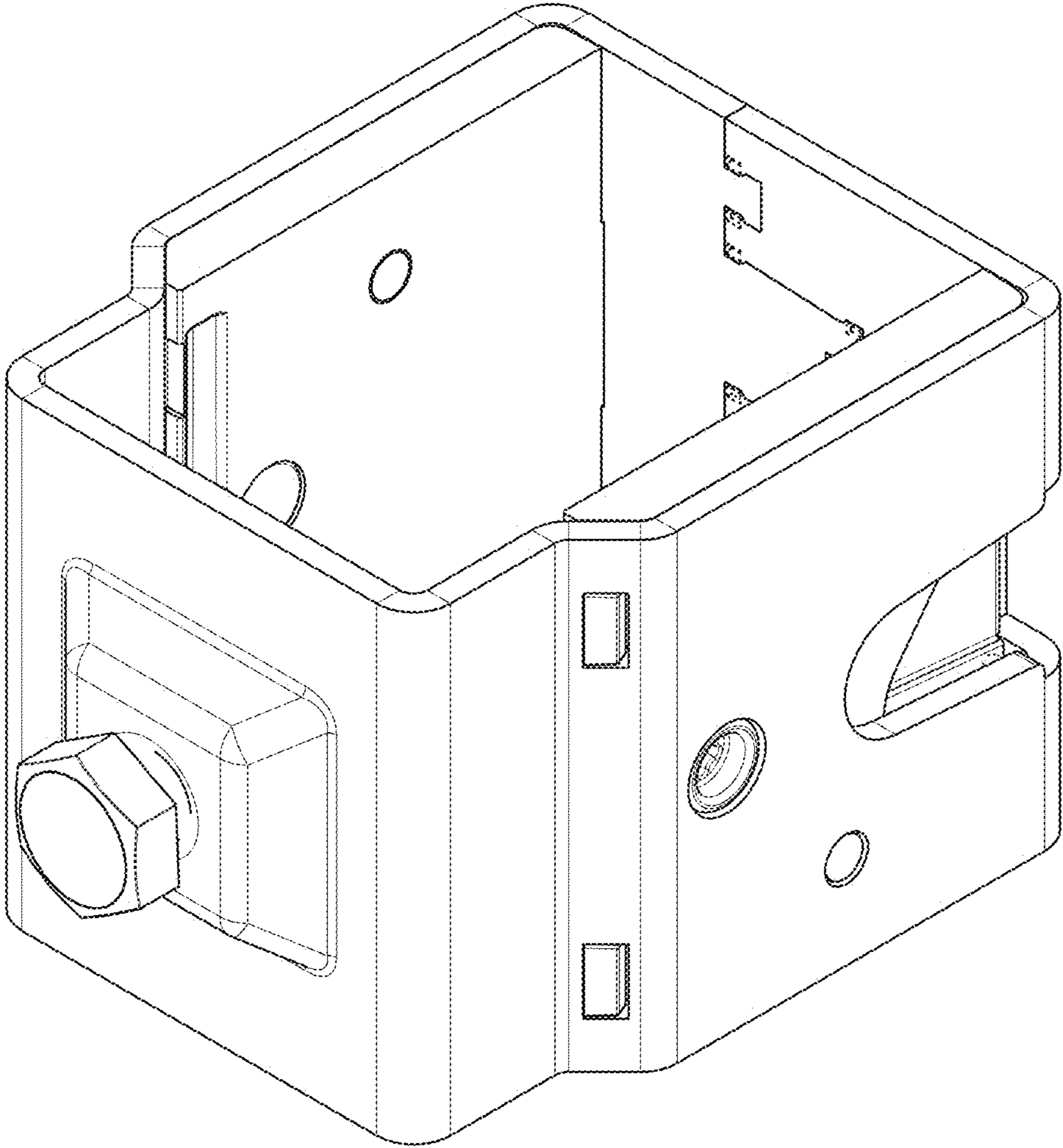


FIG. 2

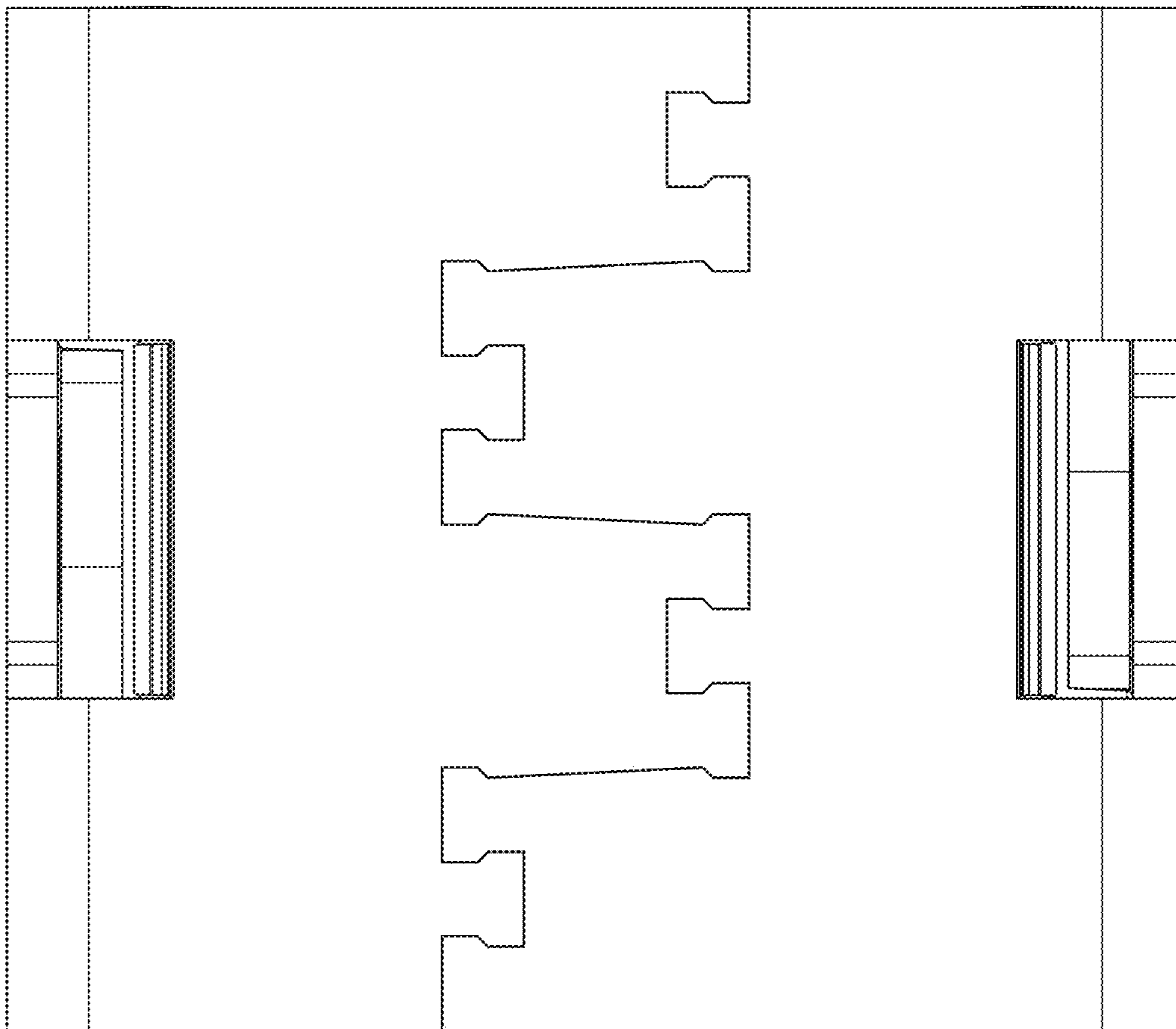


FIG. 3

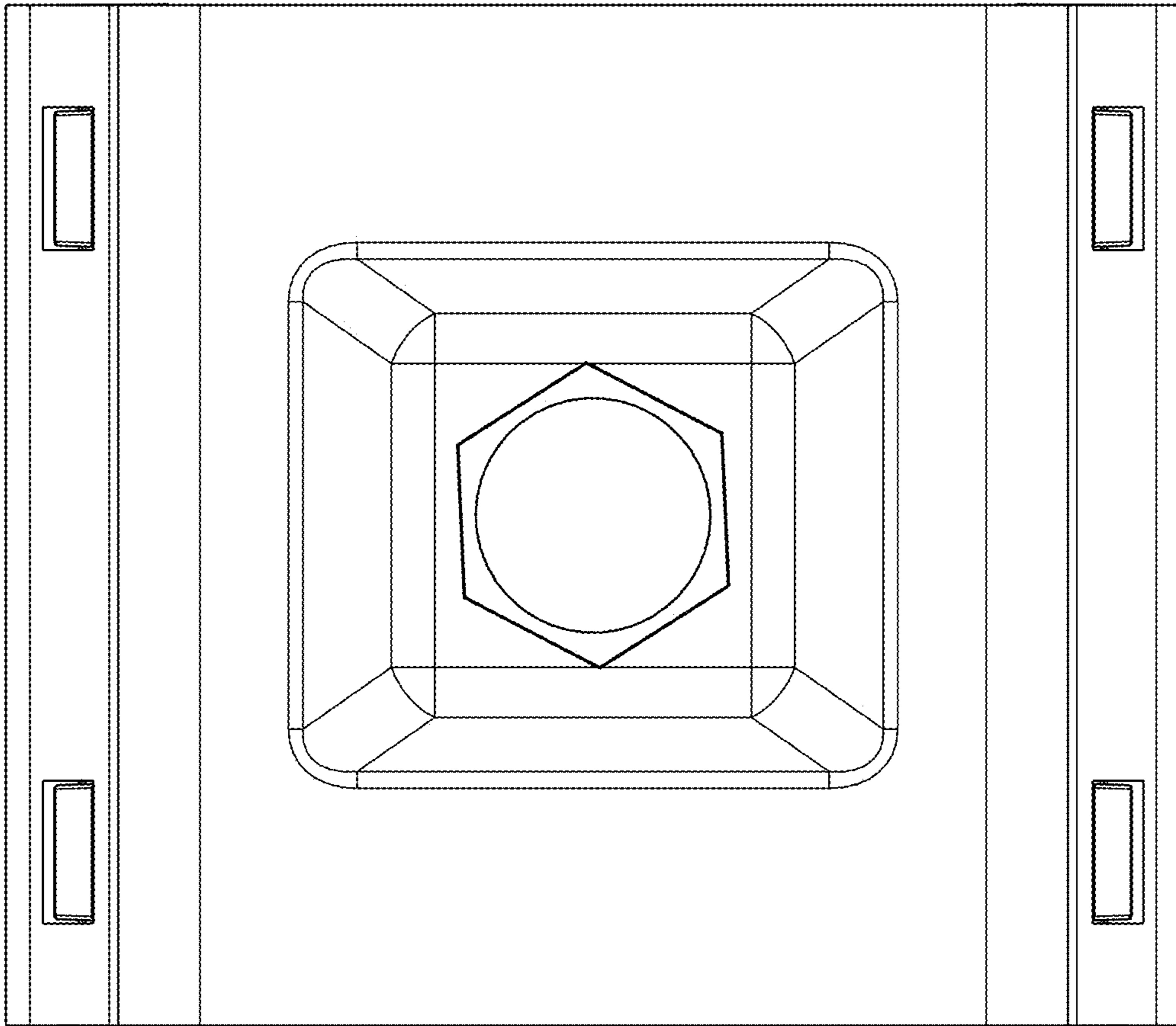


FIG. 4

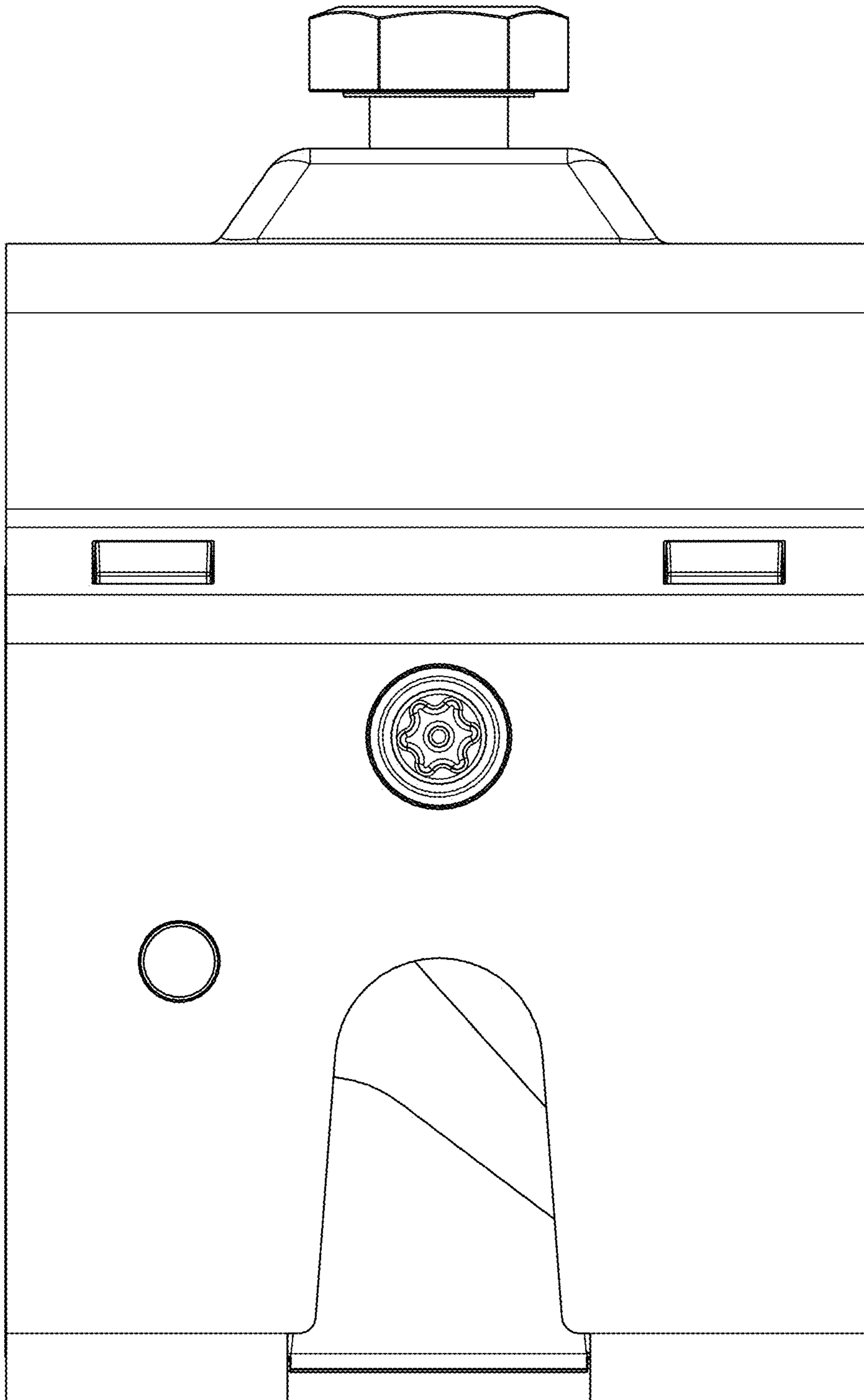


FIG. 5

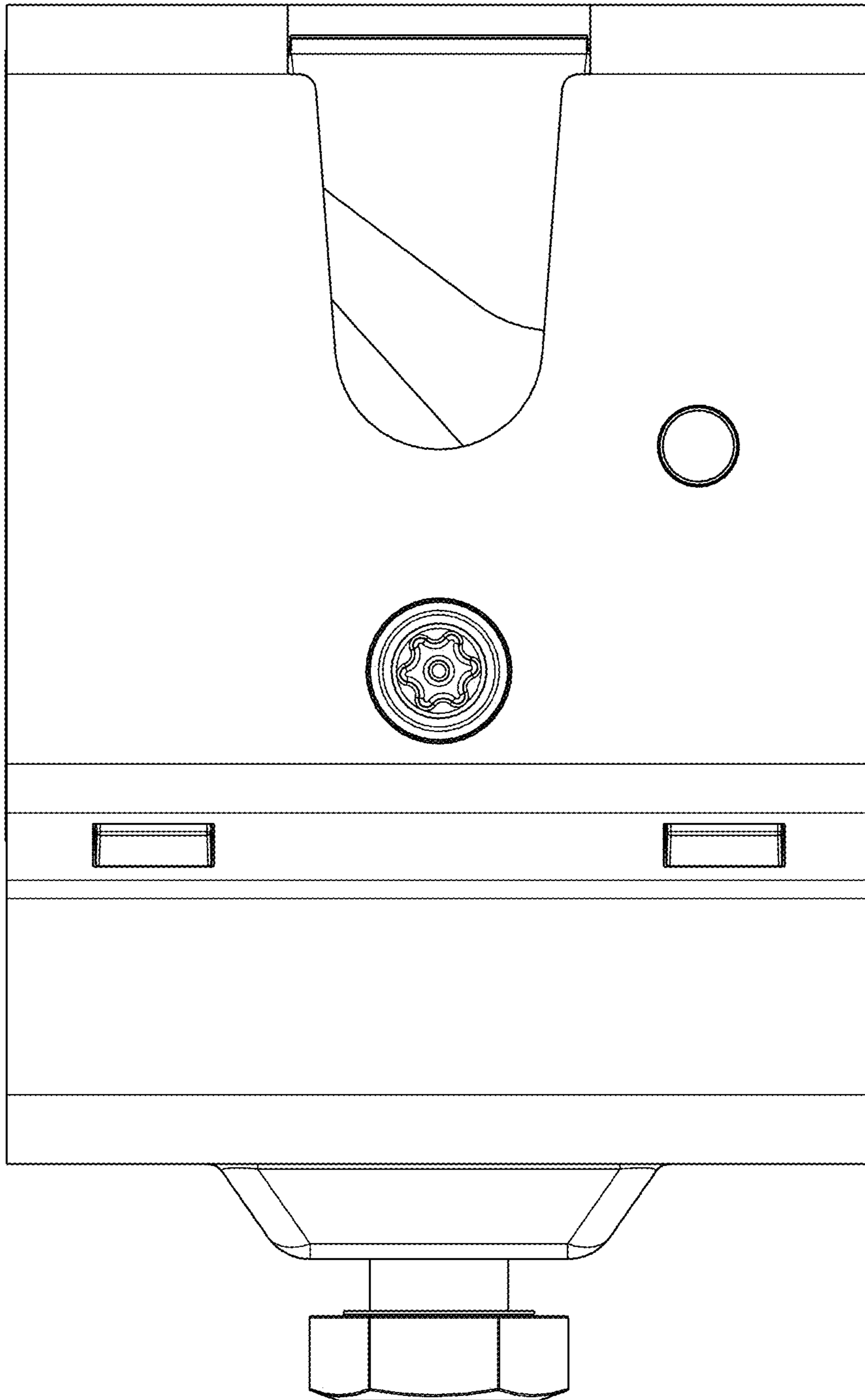


FIG. 6

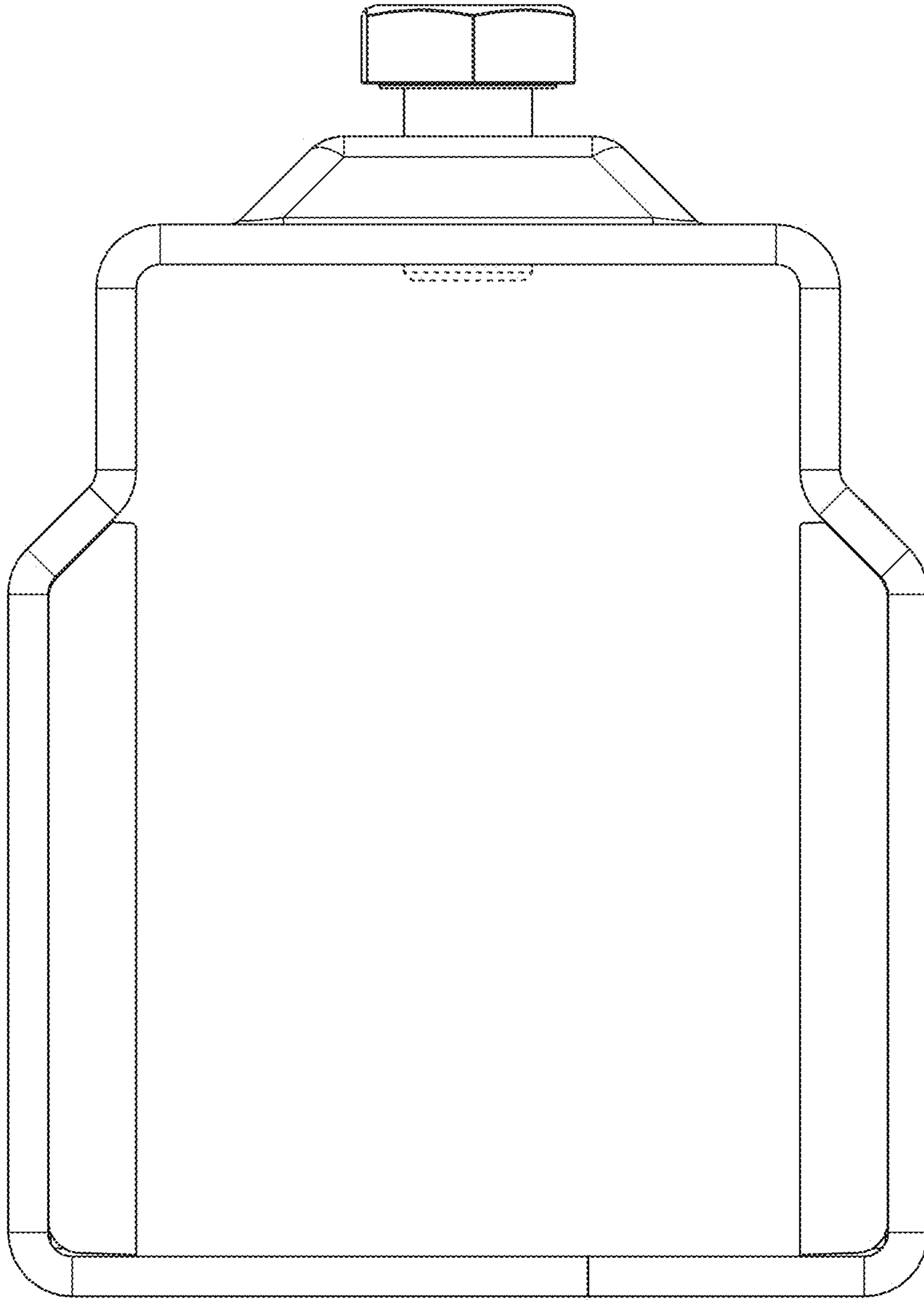


FIG. 7