



US00D981829S

(12) **United States Design Patent** (10) **Patent No.:** **US D981,829 S**  
**Lu** (45) **Date of Patent:** **\*\* Mar. 28, 2023**

(54) **FURNITURE LEG PROTECTOR**  
(71) Applicant: **SHENZHEN HENGHUIDA INDUSTRY CO., LTD.**, Shenzhen (CN)  
(72) Inventor: **Heng Lu**, Shenzhen (CN)  
(\*\*) Term: **15 Years**  
(21) Appl. No.: **29/808,806**  
(22) Filed: **Sep. 23, 2021**  
(51) **LOC (14) Cl.** ..... **08-11**  
(52) **U.S. Cl.**  
USPC ..... **D8/374; D8/373**  
(58) **Field of Classification Search**  
USPC ..... D8/373, 374, 375, 376; D21/302, 386, D21/443; D6/374, 615, 553, 710, 616; D23/250, 252  
CPC ..... A47C 7/62; A47C 7/006; E05B 85/10; E05B 13/002; E05B 1/0015; E05B 85/12; E05B 15/0086; E05B 77/26511; A47B 91/12; B60T 3/00; A47F 1/065; G10C 3/16; Y10T 16/216  
See application file for complete search history.

D793,211 S \* 8/2017 Exley ..... D8/374  
D801,805 S \* 11/2017 Pensler ..... D9/425  
D941,130 S \* 1/2022 Wendling ..... D8/374  
D942,254 S \* 2/2022 Becker ..... A47B 91/12  
D8/374  
D959,245 S \* 8/2022 Rizzo ..... D8/374  
(Continued)

**OTHER PUBLICATIONS**

Airujia Upgrade 24 Pack Chair Leg Floor Protectors, by Airujia on Amazon.com. Dated Aug. 6, 2021. Found online [Oct. 18, 2022]. <https://www.amazon.co.uk/AIRUJIA-Protectors-Furniture-Protection-Scratches/dp/B09FJ9VB7S>.\*

(Continued)

*Primary Examiner* — Eliza Z Harvey  
*Assistant Examiner* — Kayla Marie Bennett  
(74) *Attorney, Agent, or Firm* — Daniel M. Cohn; Howard M. Cohn

(57) **CLAIM**

The ornamental design for a furniture leg protector, as shown and described.

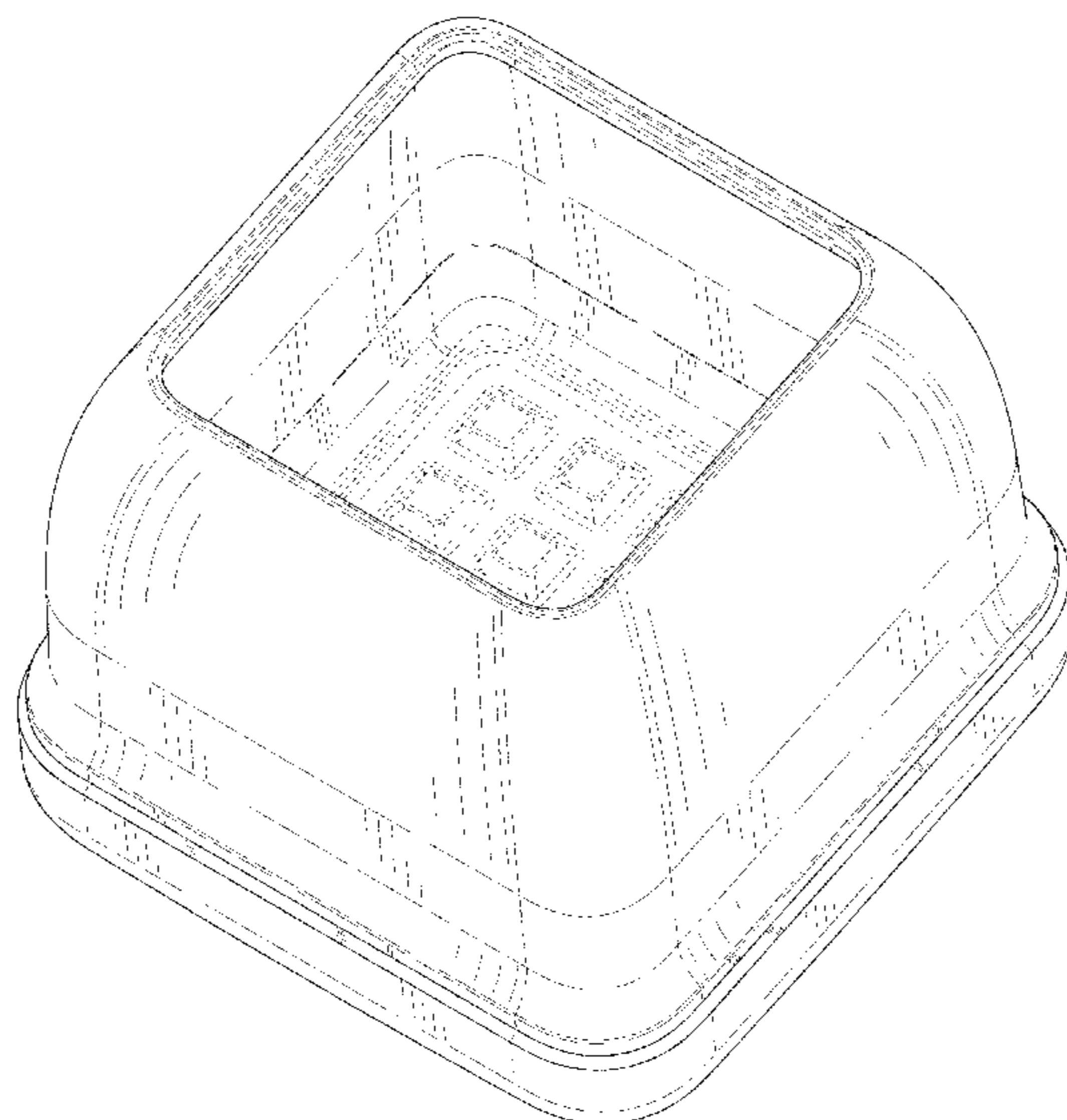
**DESCRIPTION**

FIG. 1 is a perspective view of a furniture leg protector showing my new design;  
FIG. 2 is another perspective view thereof;  
FIG. 3 is a front elevational view thereof;  
FIG. 4 is a rear elevational view thereof;  
FIG. 5 is a left side elevational view thereof;  
FIG. 6 is a right side elevational view thereof;  
FIG. 7 is a top plan view thereof; and,  
FIG. 8 is a bottom plan view thereof.  
The broken lines immediately adjacent the shaded areas represent the bounds of the claimed design while all other broken lines are directed to portions of the furniture leg protector that form no part of the claim.

**1 Claim, 8 Drawing Sheets**

(56) **References Cited**  
U.S. PATENT DOCUMENTS

D27,665 S \* 9/1897 Bailey ..... D8/374  
D44,996 S \* 12/1913 Buser ..... D8/374  
D45,196 S \* 2/1914 Lawson ..... D8/374  
D171,580 S \* 3/1954 Chapman et al. .... D8/374  
D173,835 S \* 1/1955 Chapman et al. .... D8/374  
2,744,283 A \* 5/1956 Reineman ..... A47B 91/04  
248/188.9  
D241,454 S \* 9/1976 Craft, III et al. .... D11/155  
D379,061 S \* 5/1997 Williams ..... D8/374  
D423,340 S \* 4/2000 Sittig ..... D8/374  
D426,495 S \* 6/2000 Vaccaro ..... D12/133  
D497,307 S \* 10/2004 Heisey ..... D8/374  
D616,289 S \* 5/2010 Frankel ..... D8/374  
D650,262 S \* 12/2011 Hinkle, III ..... D8/374



(56)

**References Cited**

U.S. PATENT DOCUMENTS

2007/0220703 A1\* 9/2007 LaPointe ..... A47B 91/06  
16/42 R  
2012/0068034 A1\* 3/2012 Desmarais ..... B60B 33/0028  
156/86

OTHER PUBLICATIONS

24 PCS Square Silicone Chair Leg Floor Protectors, by Ezprotekt on Amazon.com. Dated Jun. 23, 2022. Found online [Oct. 18, 2022]. <https://www.amazon.com/dp/B0B4VR3YLM>.\*

\* cited by examiner

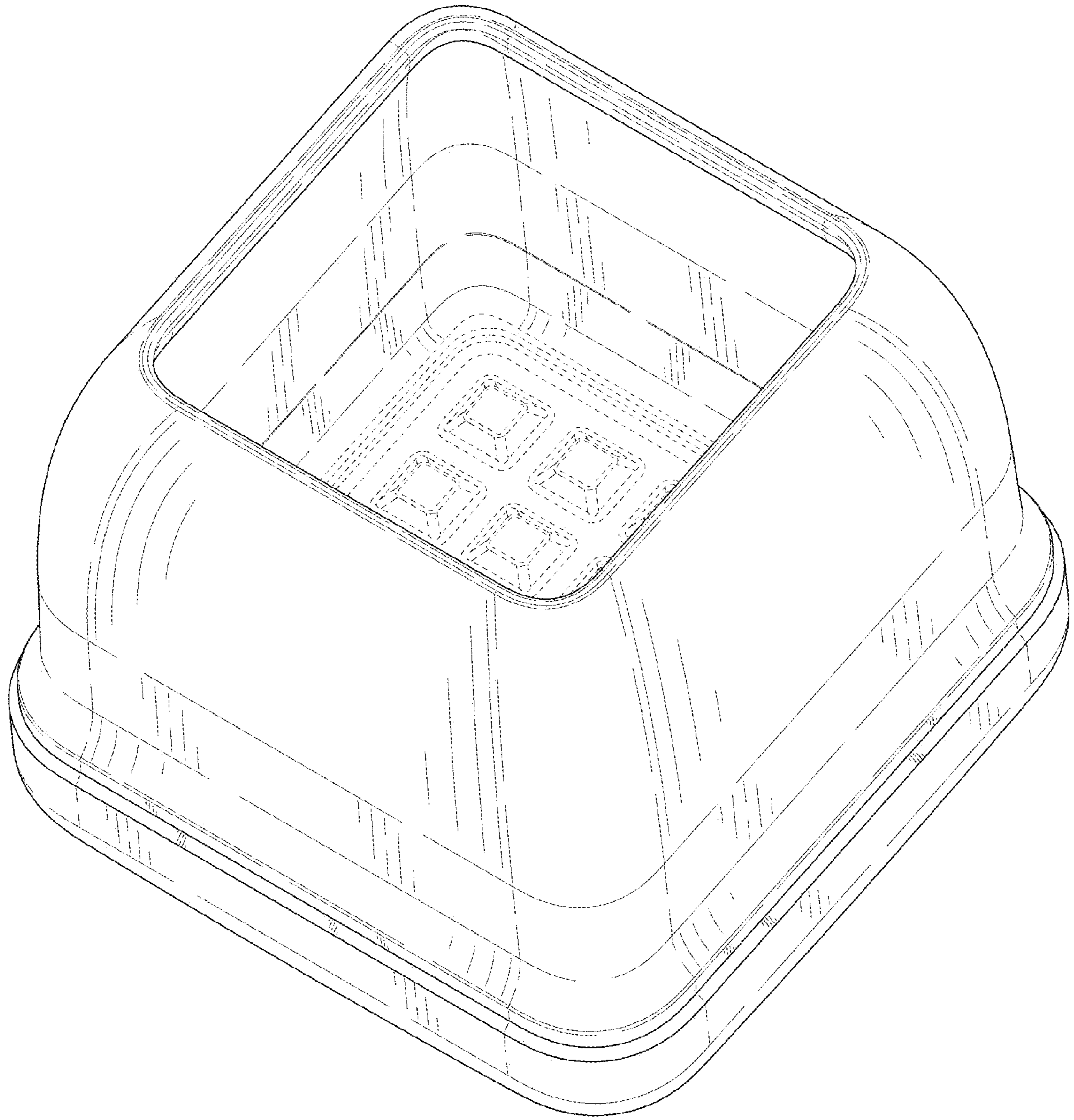


FIG. 1

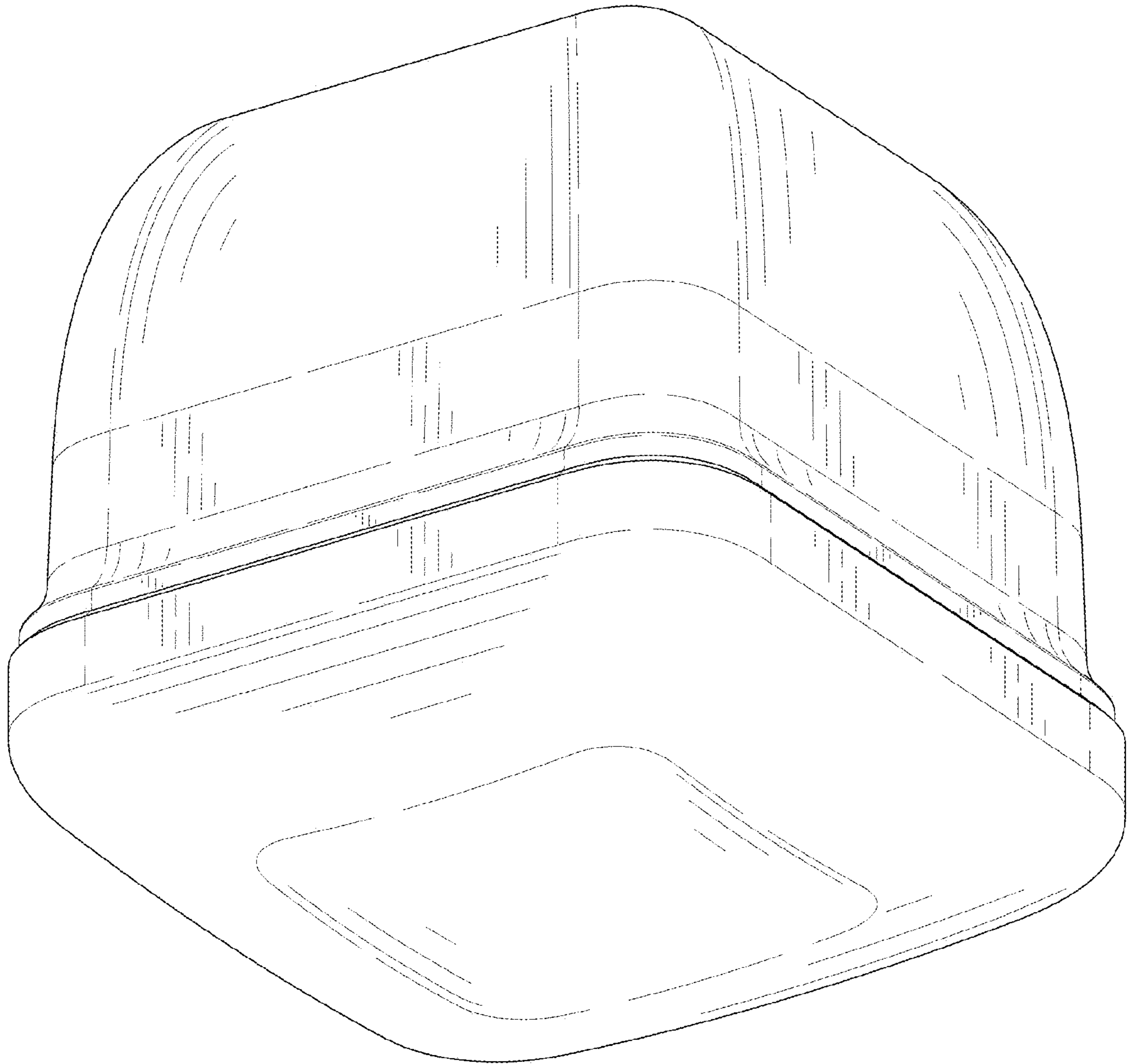


FIG. 2

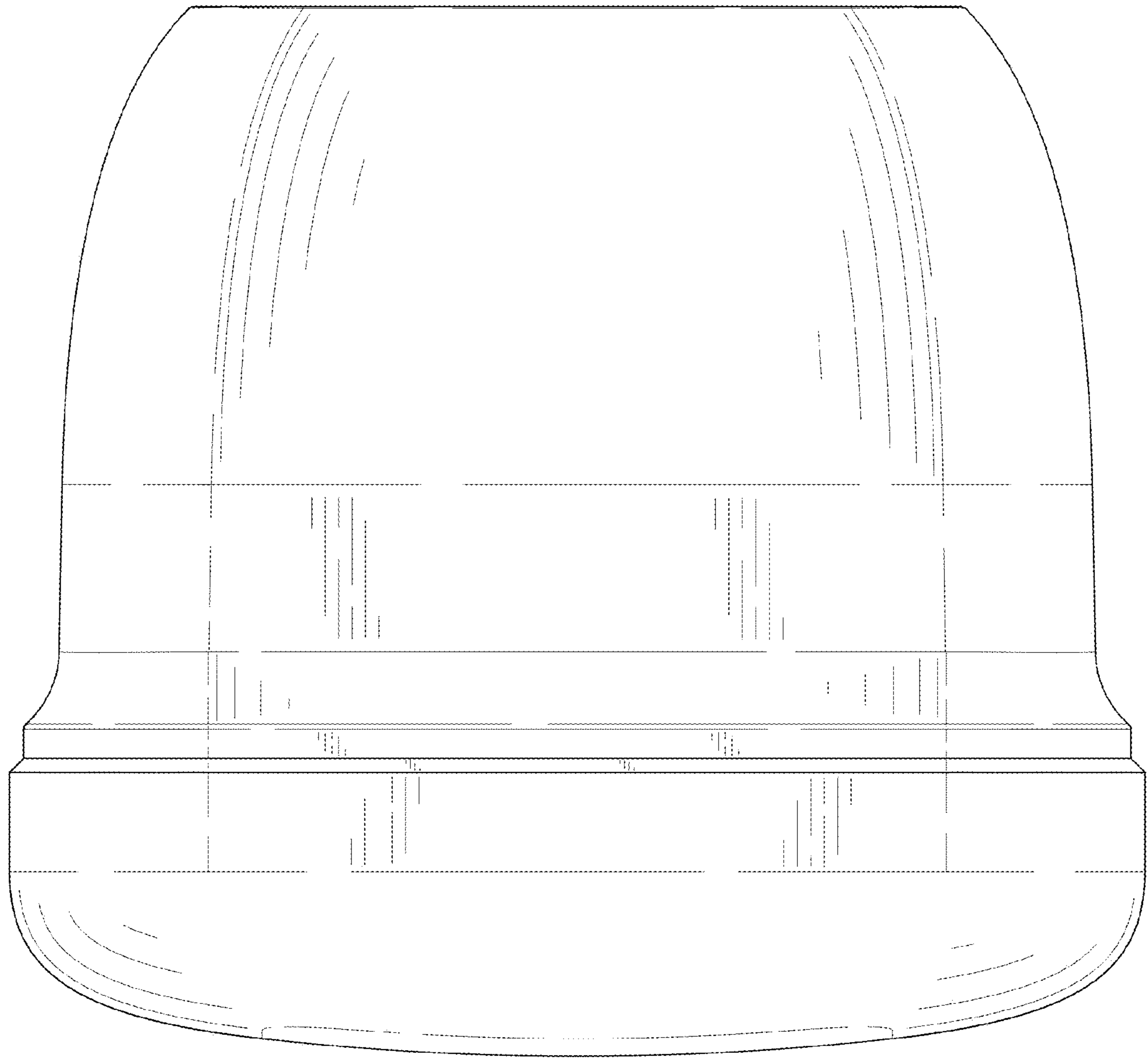


FIG. 3

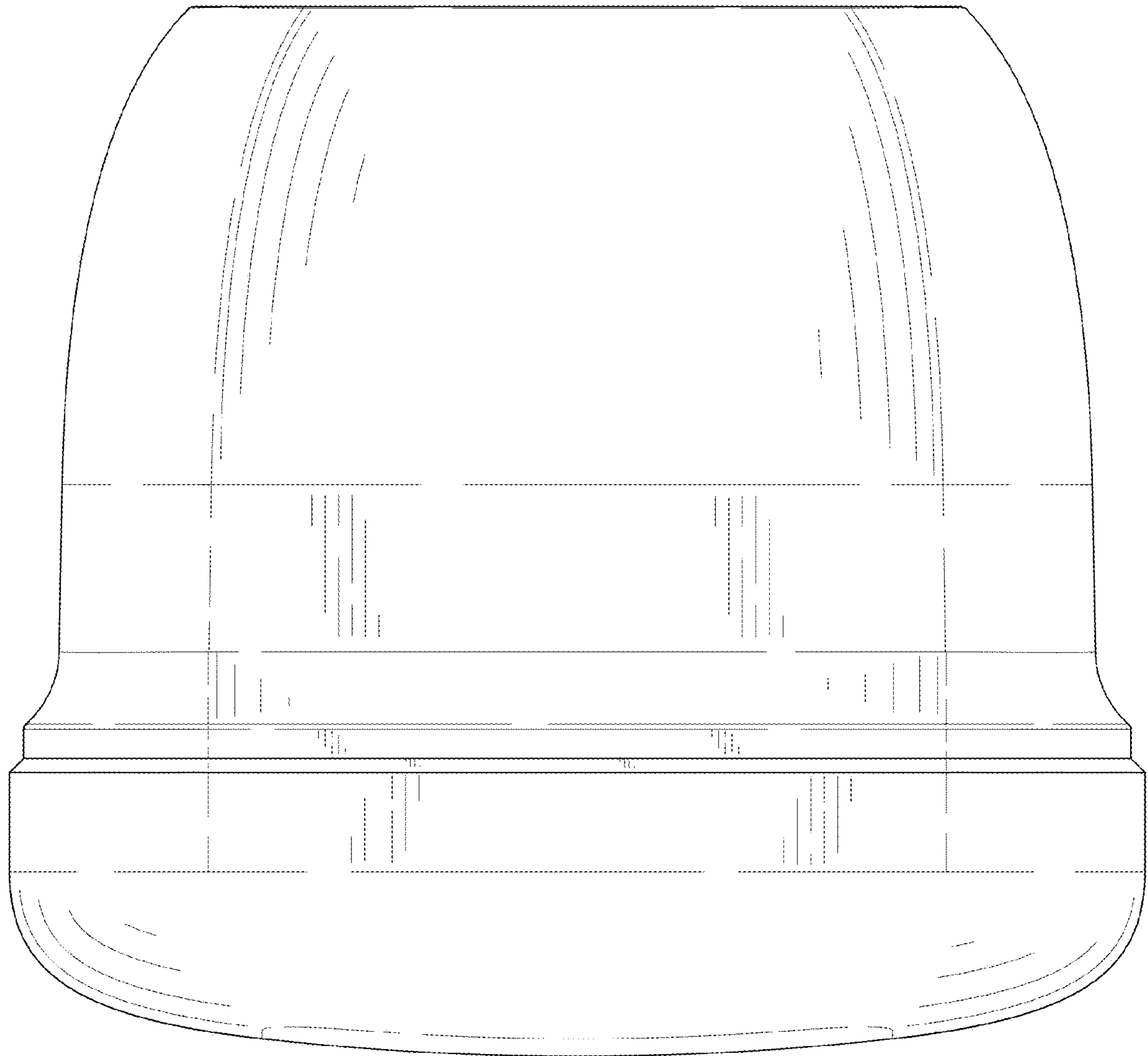


FIG. 4

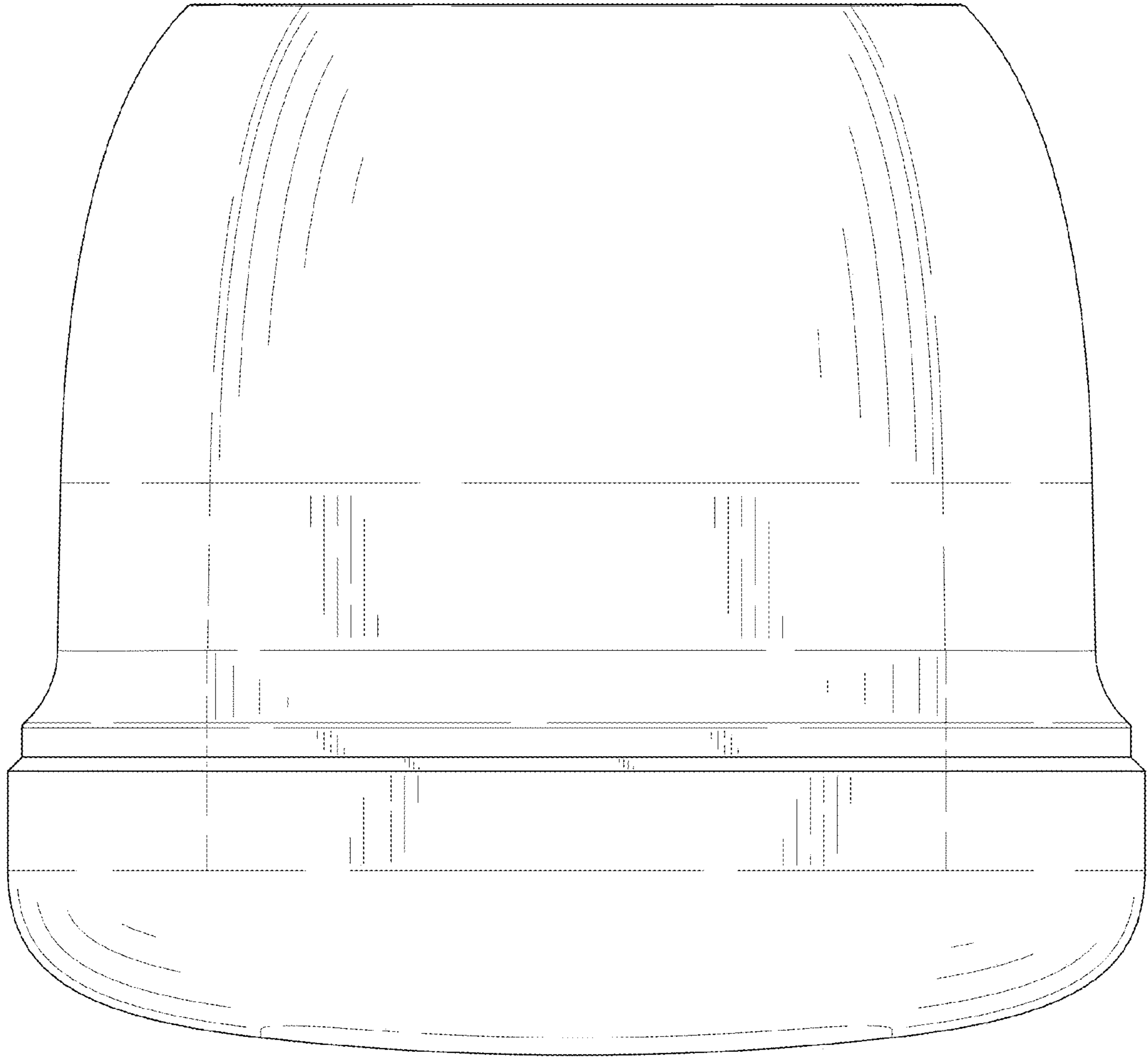


FIG. 5

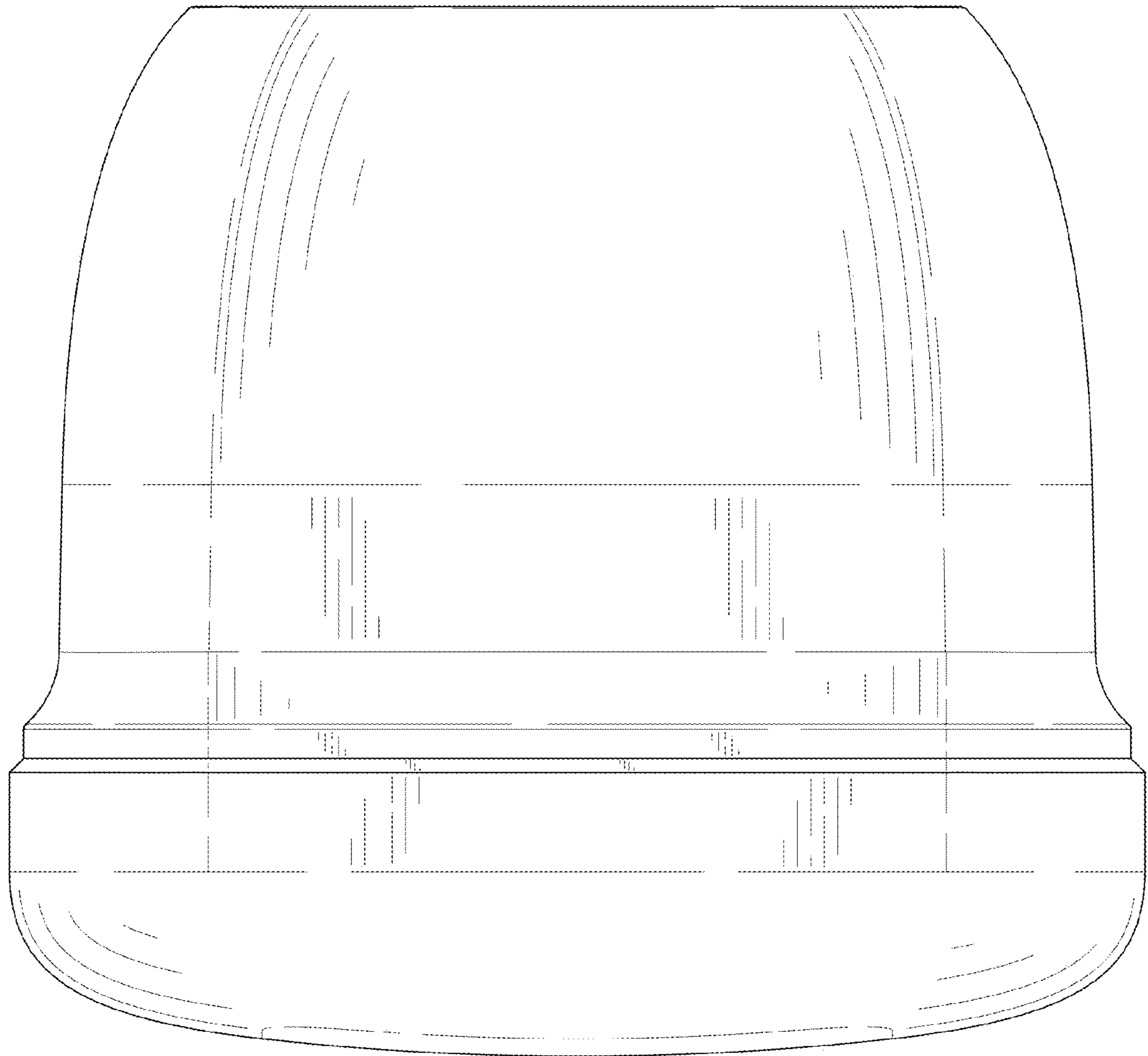


FIG. 6



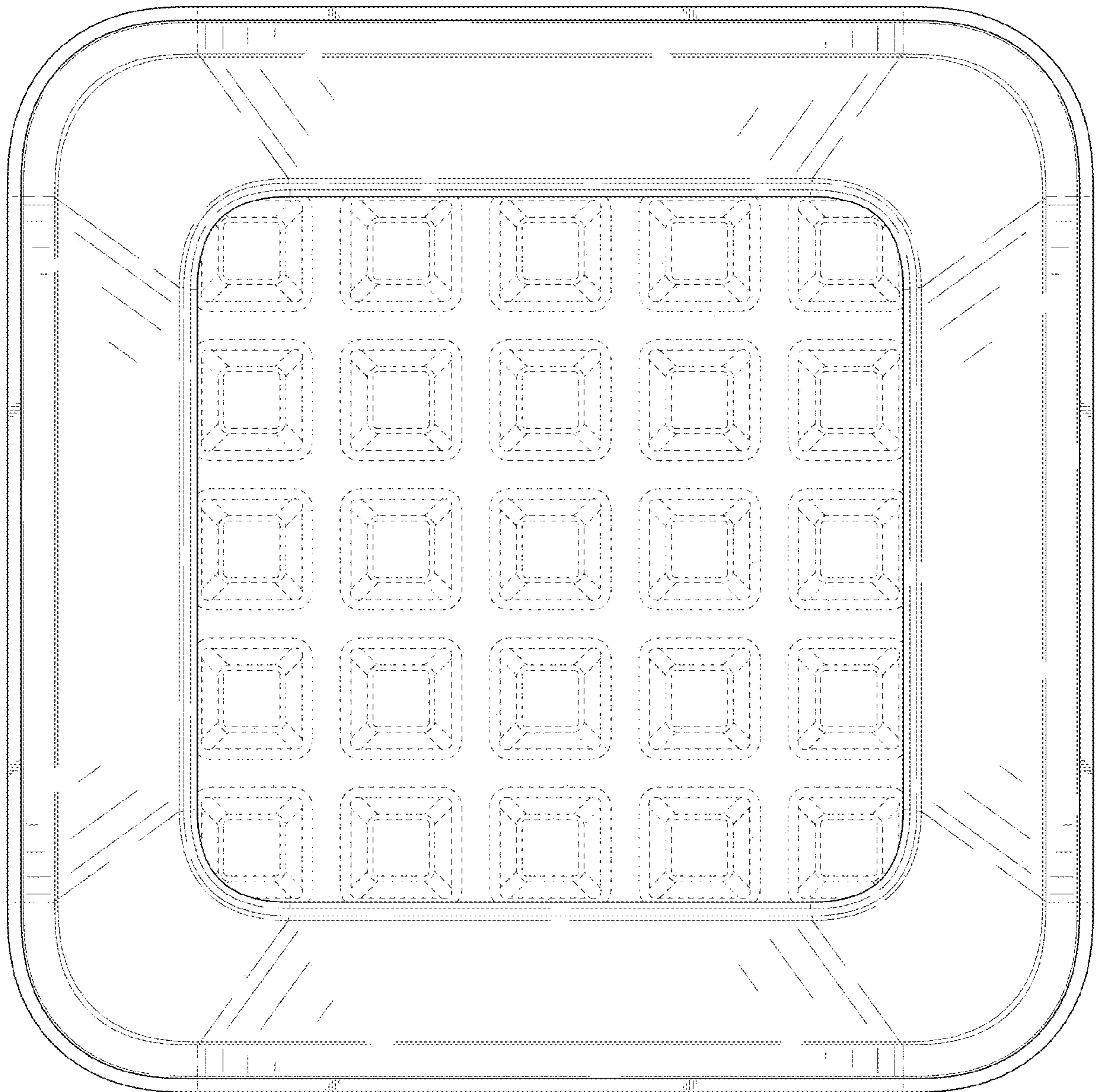


FIG. 7

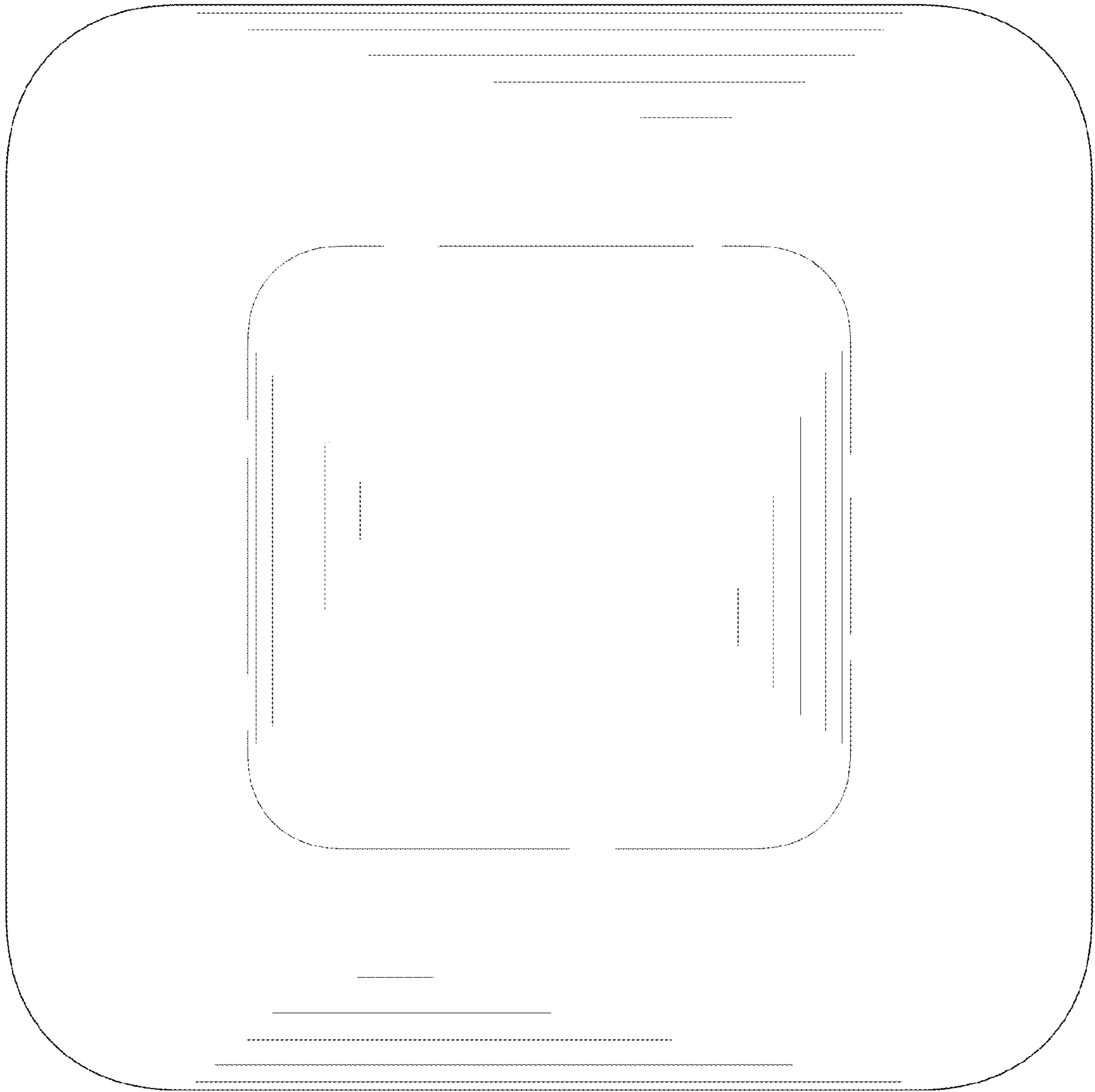


FIG. 8