



US00D981828S

(12) **United States Design Patent**  
**Hunt**

(10) **Patent No.:** **US D981,828 S**

(45) **Date of Patent:** **\*\* Mar. 28, 2023**

(54) **HOOK RACK**  
(71) Applicant: **Spectrum Diversified Designs, LLC**,  
Streetsboro, OH (US)  
(72) Inventor: **Bridget Hunt**, Cleveland, OH (US)  
(73) Assignee: **SPECTRUM DIVERSIFIED**  
**DESIGNS, LLC**, Glenwillow, OH (US)  
(\*\*) Term: **15 Years**  
(21) Appl. No.: **29/797,642**

D607,311 S \* 1/2010 Snider ..... D8/367  
D613,590 S \* 4/2010 Goodman ..... D8/372  
D617,998 S \* 6/2010 Goodman ..... D6/323  
D666,858 S \* 9/2012 Goodman ..... D6/566  
D699,467 S \* 2/2014 Tsai ..... D6/514  
D706,614 S \* 6/2014 Schraufnagel ..... D8/372  
D707,538 S \* 6/2014 Goodman ..... D8/372  
D724,851 S \* 3/2015 Klein ..... D8/372  
D734,134 S \* 7/2015 Bauerle ..... D8/372  
D743,779 S \* 11/2015 Cohen ..... D8/371  
D751,373 S \* 3/2016 Goodman ..... D8/372  
D794,431 S \* 8/2017 Goodman ..... D8/372  
D802,402 S \* 11/2017 Hintze ..... D8/367  
D809,371 S \* 2/2018 Forrest ..... D8/372

(Continued)

(22) Filed: **Jul. 1, 2021**  
(51) **LOC (14) Cl.** ..... **08-11**  
(52) **U.S. Cl.**  
USPC ..... **D8/372; D8/373**  
(58) **Field of Classification Search**  
USPC ..... D8/301, 302, 372, 373; D6/323, 566,  
D6/370, 372, 302, 303  
CPC ..... A47F 5/0006; A47F 2005/0012; F16M  
13/022; F16B 2001/0035; A01G 9/12;  
A47G 7/044; A47G 7/045; A47G 7/047;  
A47G 7/07; A47G 25/0614  
See application file for complete search history.

**OTHER PUBLICATIONS**

Over Door Hook Hanger, Back of Door Bathroom Towel Rack  
Hooks, by MINCORD on Amazon.com. Dated Dec. 17, 2022.  
Found online [Oct. 18, 2022]. <https://www.amazon.com/Bathroom-Heavy-Duty-Organizer-Anti-Rust-5-Hooks/dp/B08QTLXJ9Q>.\*

*Primary Examiner* — Marissa J Cash  
*Assistant Examiner* — Kayla Marie Bennett  
(74) *Attorney, Agent, or Firm* — Tucker Ellis LLP

(56) **References Cited**

**U.S. PATENT DOCUMENTS**

D324,783 S \* 3/1992 Greenhut ..... D6/323  
D343,112 S \* 1/1994 Corbin ..... D8/367  
D353,291 S \* 12/1994 Mercer ..... D6/567  
D357,403 S \* 4/1995 Goodman ..... D8/372  
D377,309 S \* 1/1997 Hofman ..... D8/372  
D421,382 S \* 3/2000 Abdi ..... D8/372  
D428,803 S \* 8/2000 Foster ..... D8/372  
D461,650 S \* 8/2002 Goodman ..... D6/513  
D465,406 S \* 11/2002 Goodman ..... D8/372  
D472,134 S \* 3/2003 Goodman ..... D8/367  
D479,796 S \* 9/2003 Snell ..... D8/372  
D494,844 S \* 8/2004 Klein ..... D8/372  
D555,366 S \* 11/2007 Goodman ..... D6/323

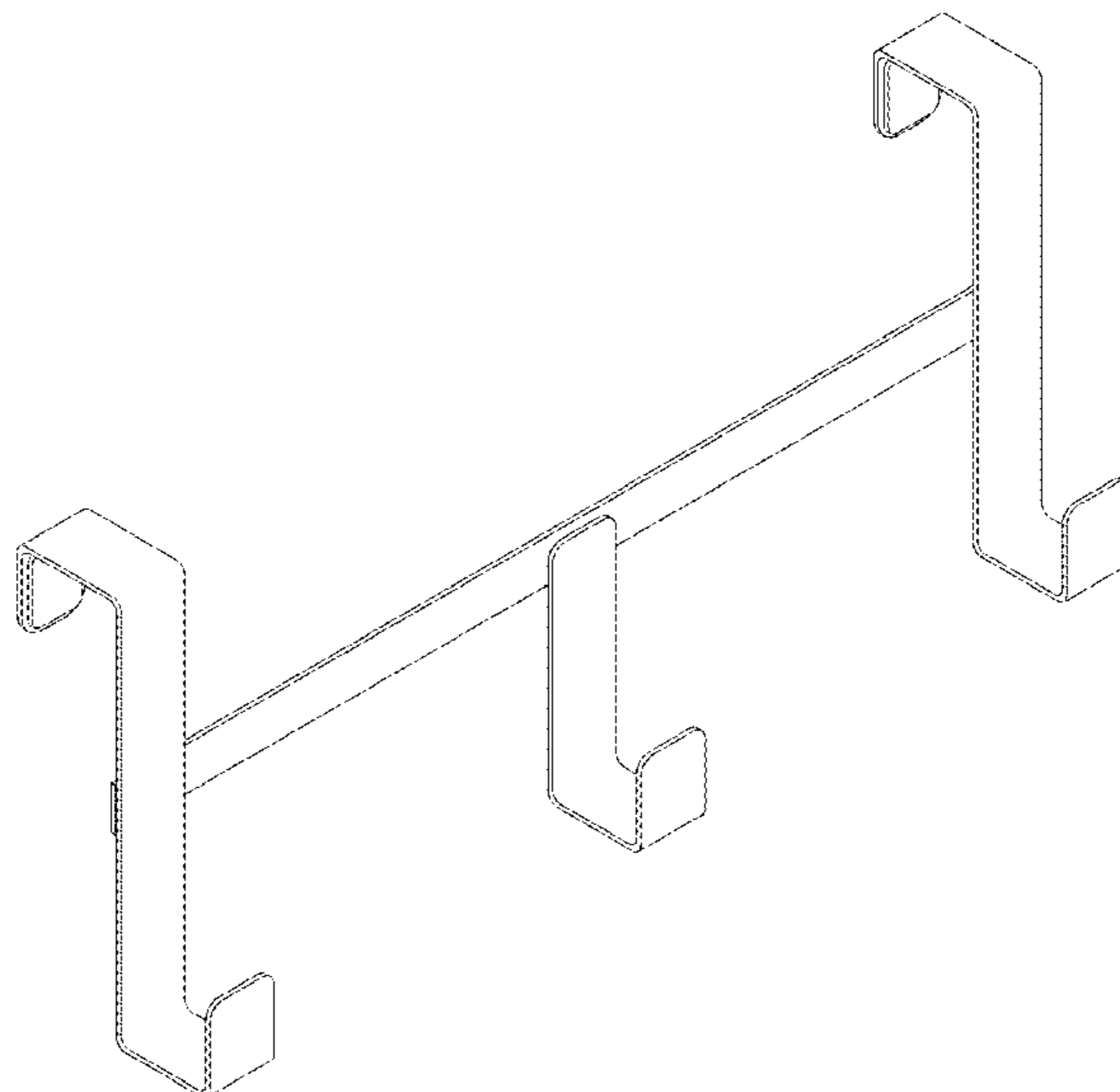
(57) **CLAIM**

The ornamental design for a hook rack, as shown and  
described.

**DESCRIPTION**

FIG. 1 is a front perspective view of a hook rack showing my  
new design.  
FIG. 2 is a rear perspective view thereof.  
FIG. 3 is a front view thereof.  
FIG. 4 is a rear view thereof.  
FIG. 5 is a left side view thereof.  
FIG. 6 is a right side view thereof.  
FIG. 7 is a top view thereof; and,  
FIG. 8 is a bottom view thereof.

**1 Claim, 7 Drawing Sheets**



(56)

**References Cited**

U.S. PATENT DOCUMENTS

D820,069 S \* 6/2018 Hack ..... D8/367  
D836,424 S \* 12/2018 Santarelli ..... F16M 13/022  
D837 ..... D8/372  
D837,637 S \* 1/2019 Hack ..... D8/367  
D941,128 S \* 1/2022 Chiang ..... D8/372  
D944,075 S \* 2/2022 Shang ..... D8/367  
D957,163 S \* 7/2022 Zhi ..... D8/372  
D957,237 S \* 7/2022 Zhang ..... D8/367  
2012/0181244 A1 \* 7/2012 Wang ..... A47G 25/0614  
211/106.01  
2014/0332619 A1 \* 11/2014 Yang ..... A47G 25/0614  
248/301  
2016/0273705 A1 \* 9/2016 Ajello ..... E05C 3/045  
2019/0104874 A1 \* 4/2019 Baines ..... A47G 25/0614

\* cited by examiner

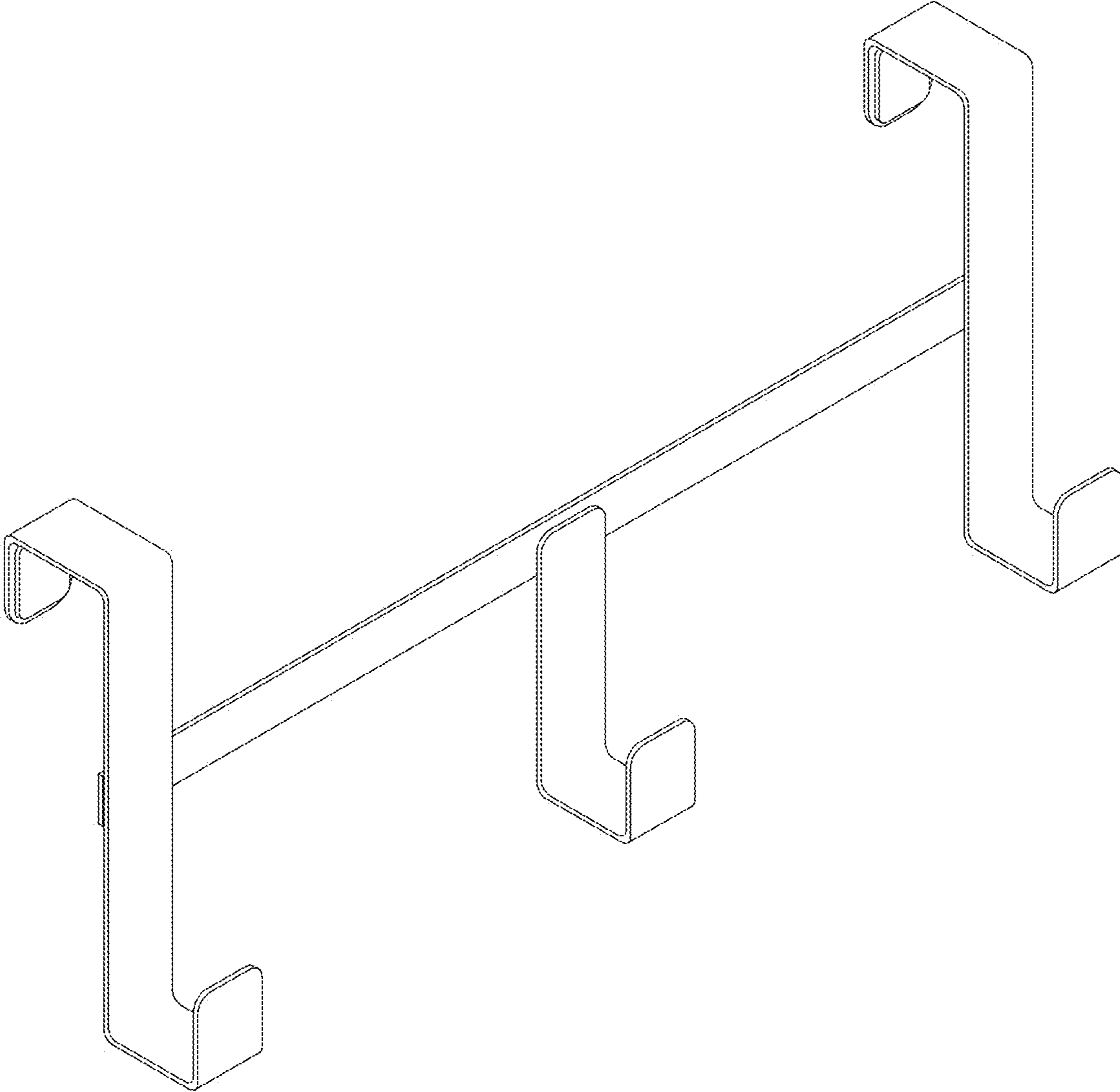


FIG. 1

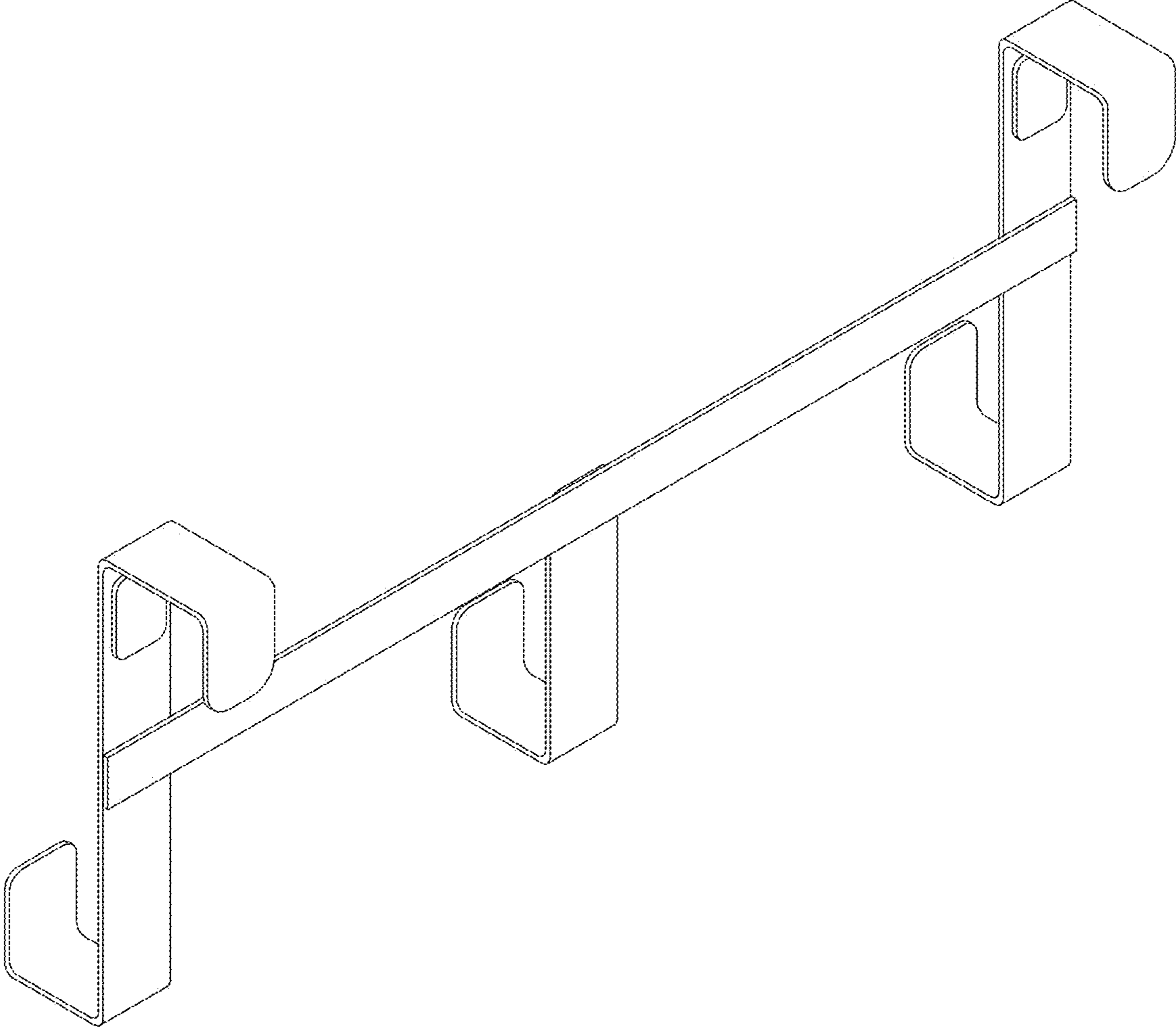


FIG. 2

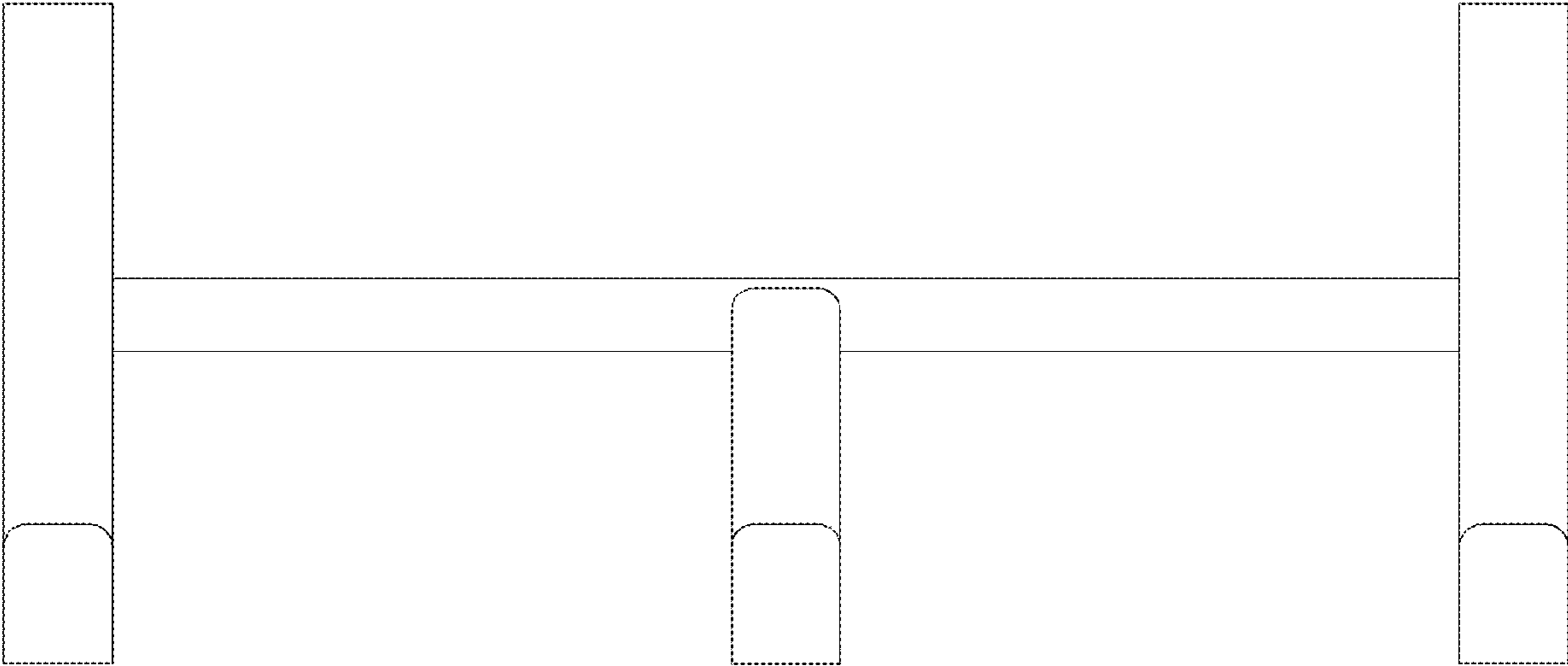


FIG. 3

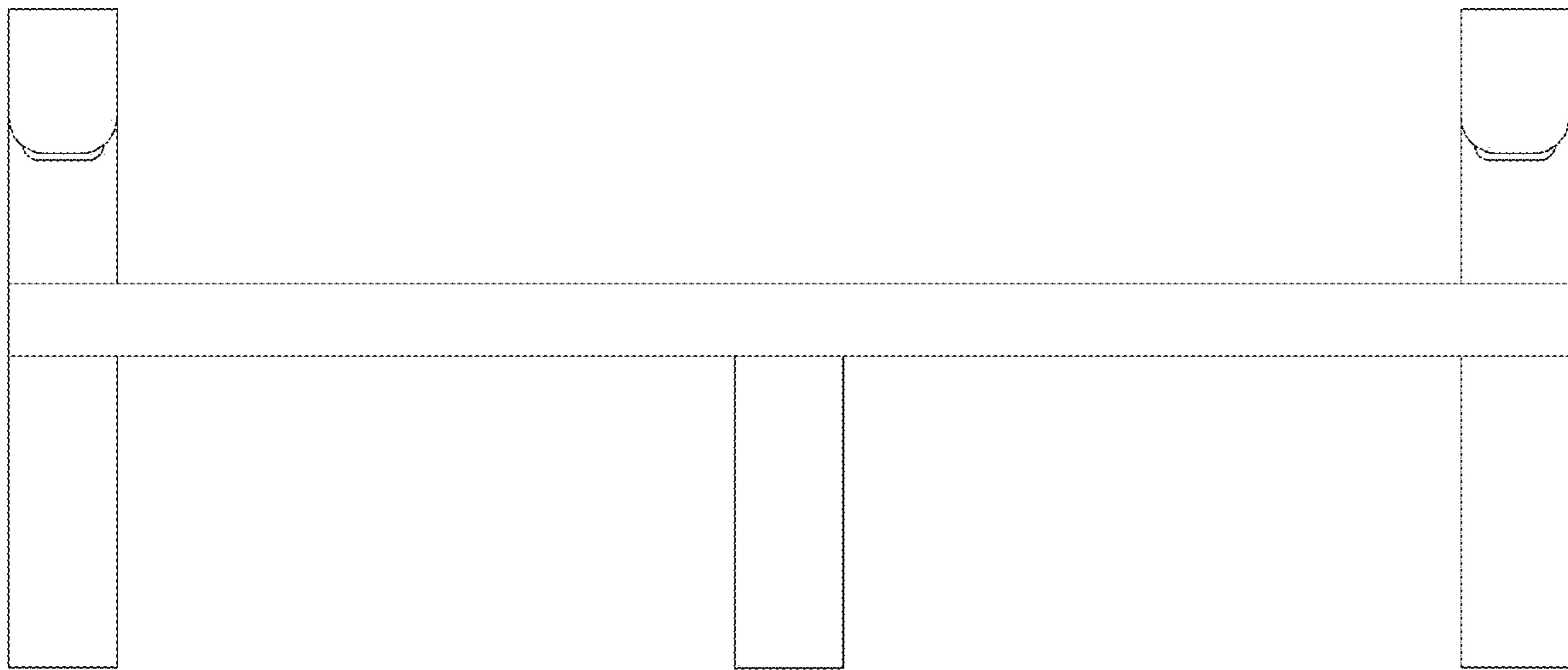


FIG. 4

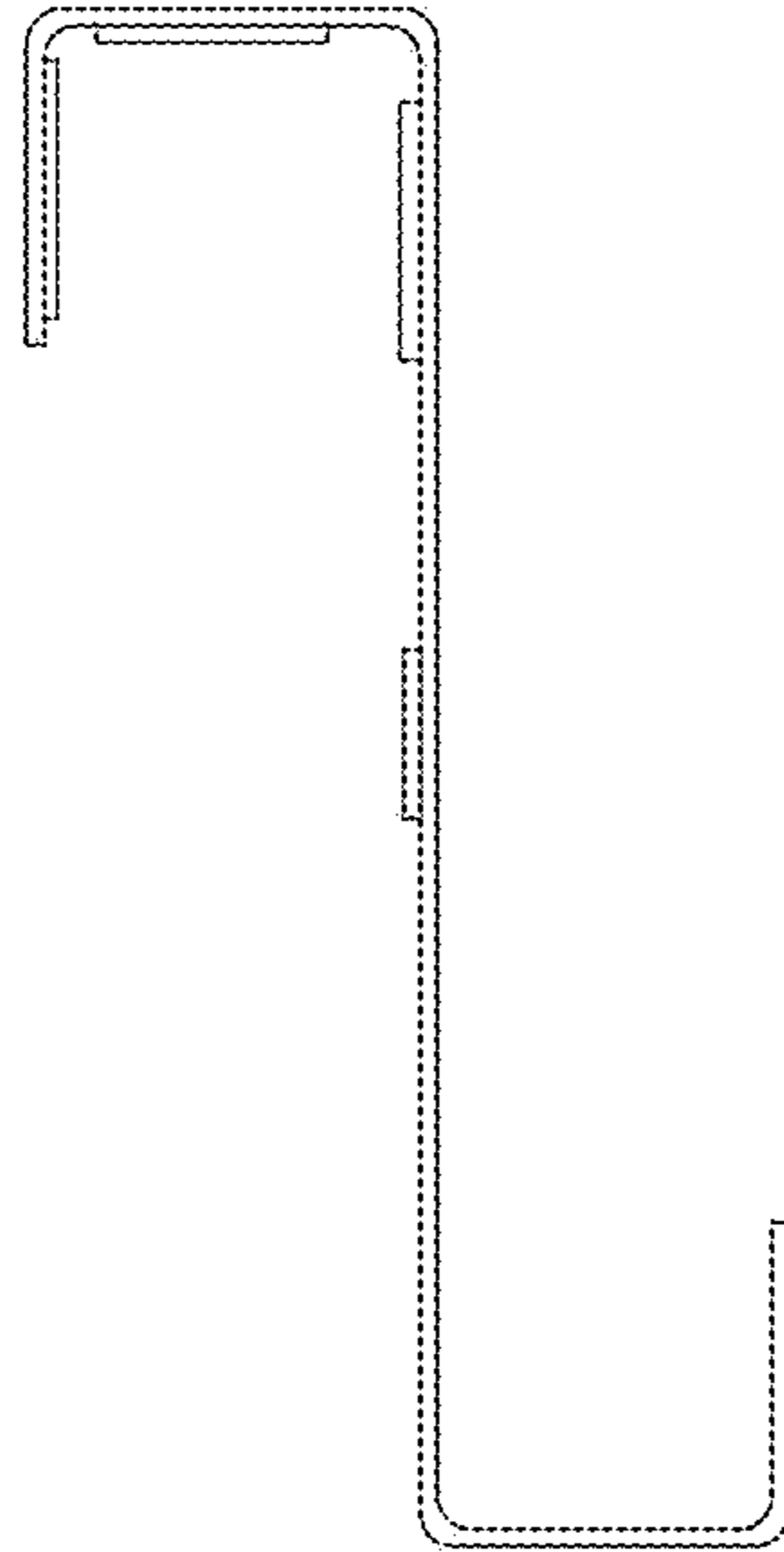


FIG. 5

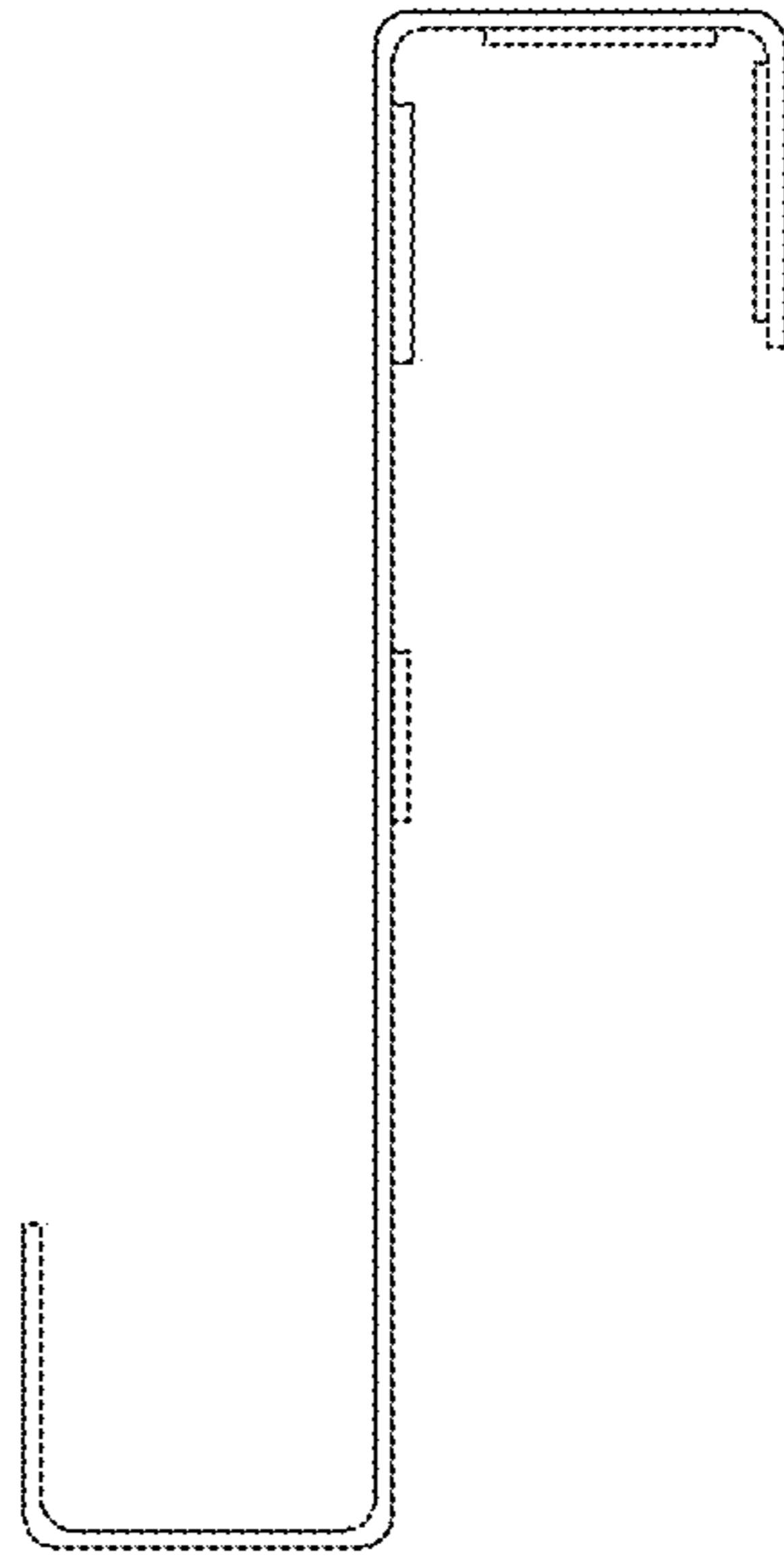


FIG. 6



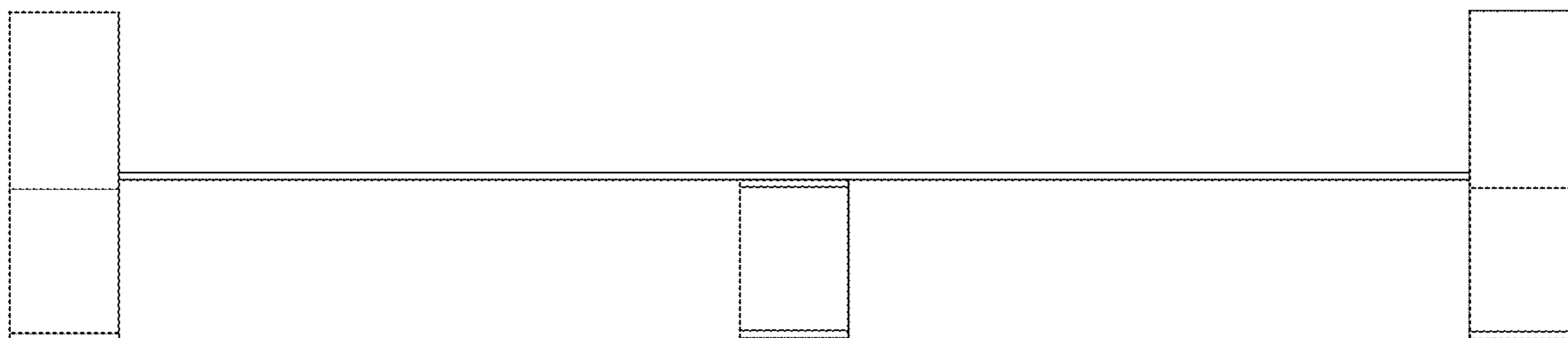


FIG. 7

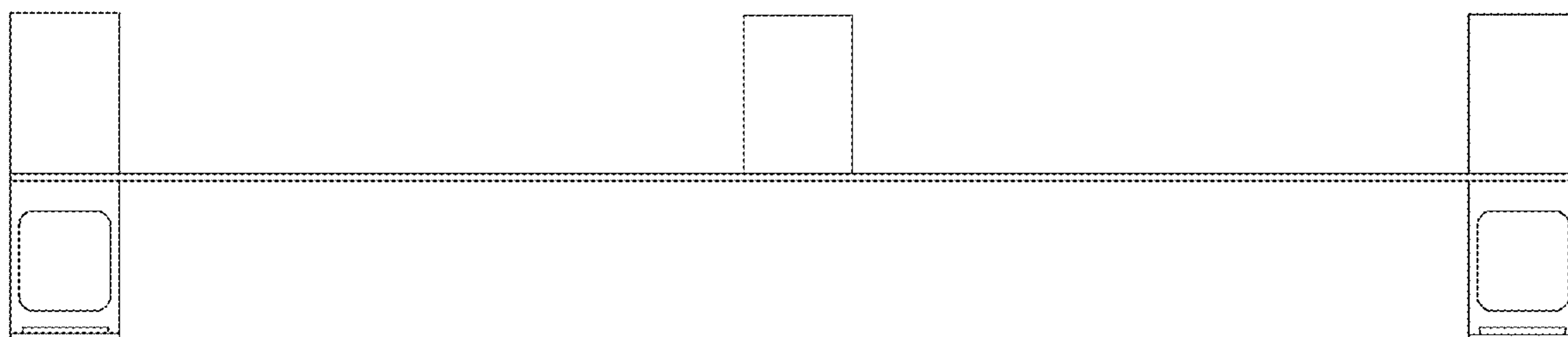


FIG. 8