



US00D981826S

(12) **United States Design Patent**
Guo

(10) **Patent No.:** **US D981,826 S**
(45) **Date of Patent:** **** Mar. 28, 2023**

- (54) **ADHESIVE HOOK**
- (71) Applicant: **Cuili Guo**, Xi'an (CN)
- (72) Inventor: **Cuili Guo**, Xi'an (CN)
- (**) Term: **15 Years**
- (21) Appl. No.: **29/853,119**
- (22) Filed: **Sep. 13, 2022**
- (51) **LOC (14) Cl.** **08-11**
- (52) **U.S. Cl.**
USPC **D8/367**
- (58) **Field of Classification Search**
USPC D8/367, 354, 349, 373, 356; D6/323;
248/301-304, 339
CPC .. A47G 1/00; A47G 25/00; A47G 1/17; F16B
47/003
See application file for complete search history.

D374,602 S *	10/1996	Protz, Jr.	D8/367
D658,029 S *	4/2012	Fulkerson	D8/301
D670,997 S *	11/2012	Thompson	D8/367
D761,093 S *	7/2016	Liu	D8/367
D811,201 S *	2/2018	Berger	D8/367
D811,862 S *	3/2018	Berger	D8/367
D812,454 S *	3/2018	Berger	D8/367
D818,353 S *	5/2018	Sacks	D8/367
D821,184 S *	6/2018	Berger	D8/367
D842,083 S *	3/2019	Thompson	D8/367
D864,697 S *	10/2019	Gnocchini	D8/367
D864,700 S	10/2019	Chen	
D867,771 S *	11/2019	Zhong	D6/323
D879,596 S *	3/2020	Li	D8/367
10,842,304 B2 *	11/2020	Ye	A47G 25/0607
D918,698 S *	5/2021	Man	D8/367
D935,312 S *	11/2021	Zhou	D8/367
D939,330 S *	12/2021	Zhou	D8/367
D953,849 S	6/2022	Liu	

* cited by examiner

Primary Examiner — Cynthia R Underwood
(74) *Attorney, Agent, or Firm* — Jeenam Park

(56) **References Cited**
U.S. PATENT DOCUMENTS

2,679,998 A *	6/1954	Keller	F16B 47/003 D8/367
2,765,998 A *	10/1956	Engert	A47G 1/17 248/467
D212,553 S *	10/1968	Hekman	D8/367
3,637,181 A *	1/1972	Janssen	A47G 1/17 156/320
4,003,538 A *	1/1977	Frye	A47G 1/17 24/304
4,756,498 A *	7/1988	Frye	A47G 1/17 248/205.3
5,121,896 A *	6/1992	Frye	F16B 47/003 248/205.3
D327,641 S *	7/1992	Hoskinson	D8/367
D356,941 S *	4/1995	Reddick	D8/367

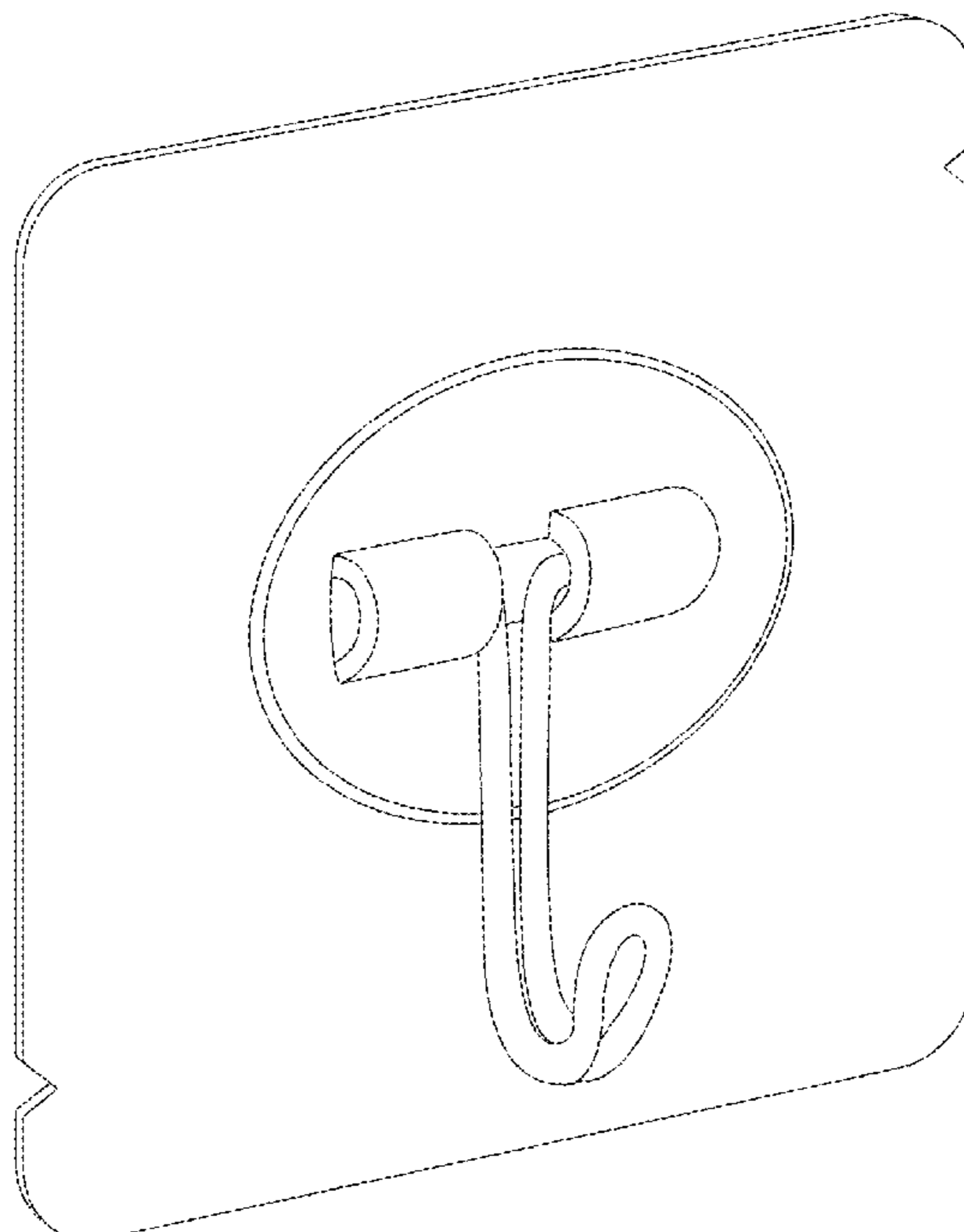
(57) **CLAIM**

The ornamental design for an adhesive hook, as shown and described.

DESCRIPTION

FIG. 1 is a front, left and top perspective view of an adhesive hook, showing my new design;
FIG. 2 is a front view thereof;
FIG. 3 is a rear view thereof;
FIG. 4 is a left side view thereof;
FIG. 5 is a right side view thereof;
FIG. 6 is a top plan view thereof; and,
FIG. 7 is a bottom plan view thereof.

1 Claim, 7 Drawing Sheets



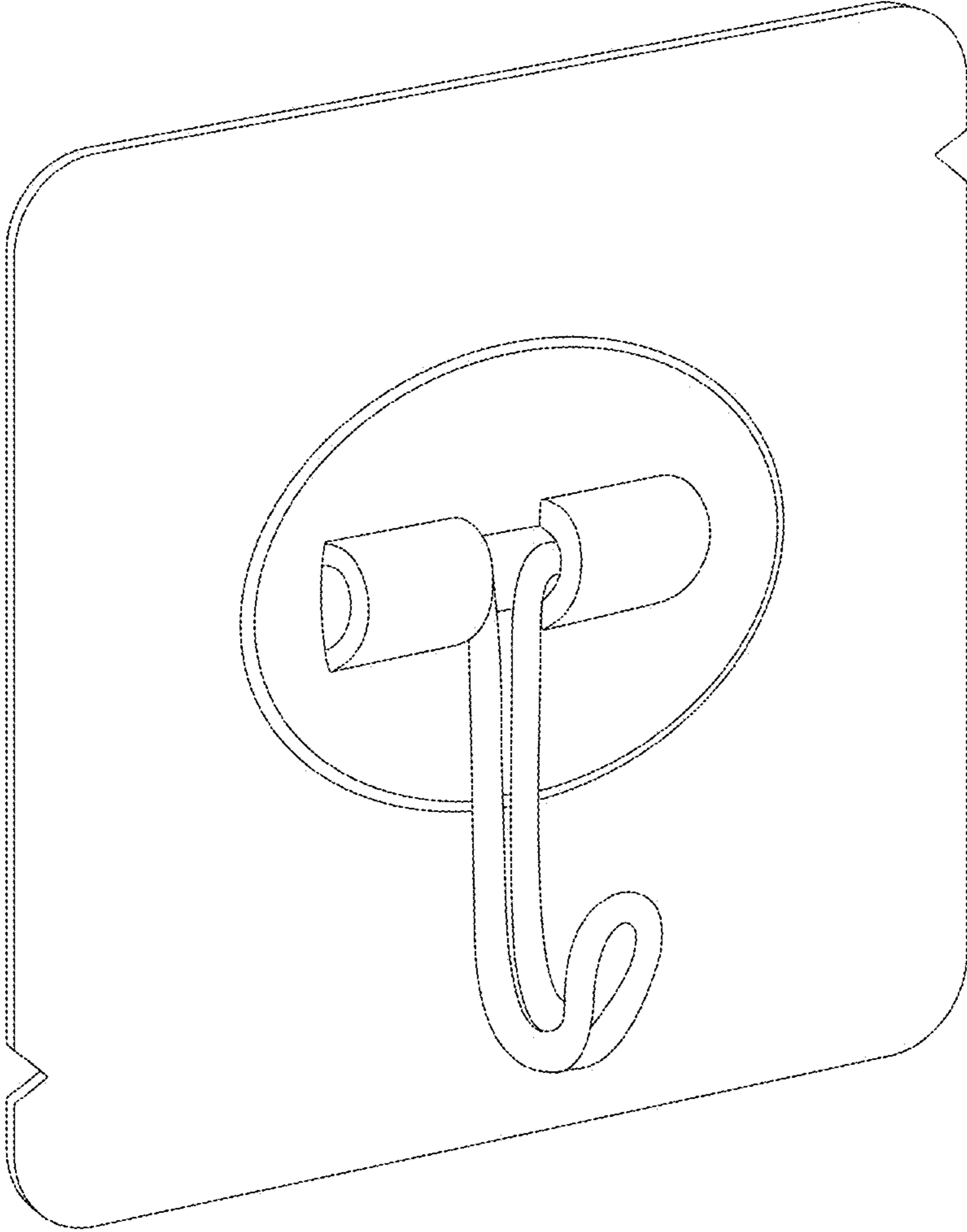


FIG. 1

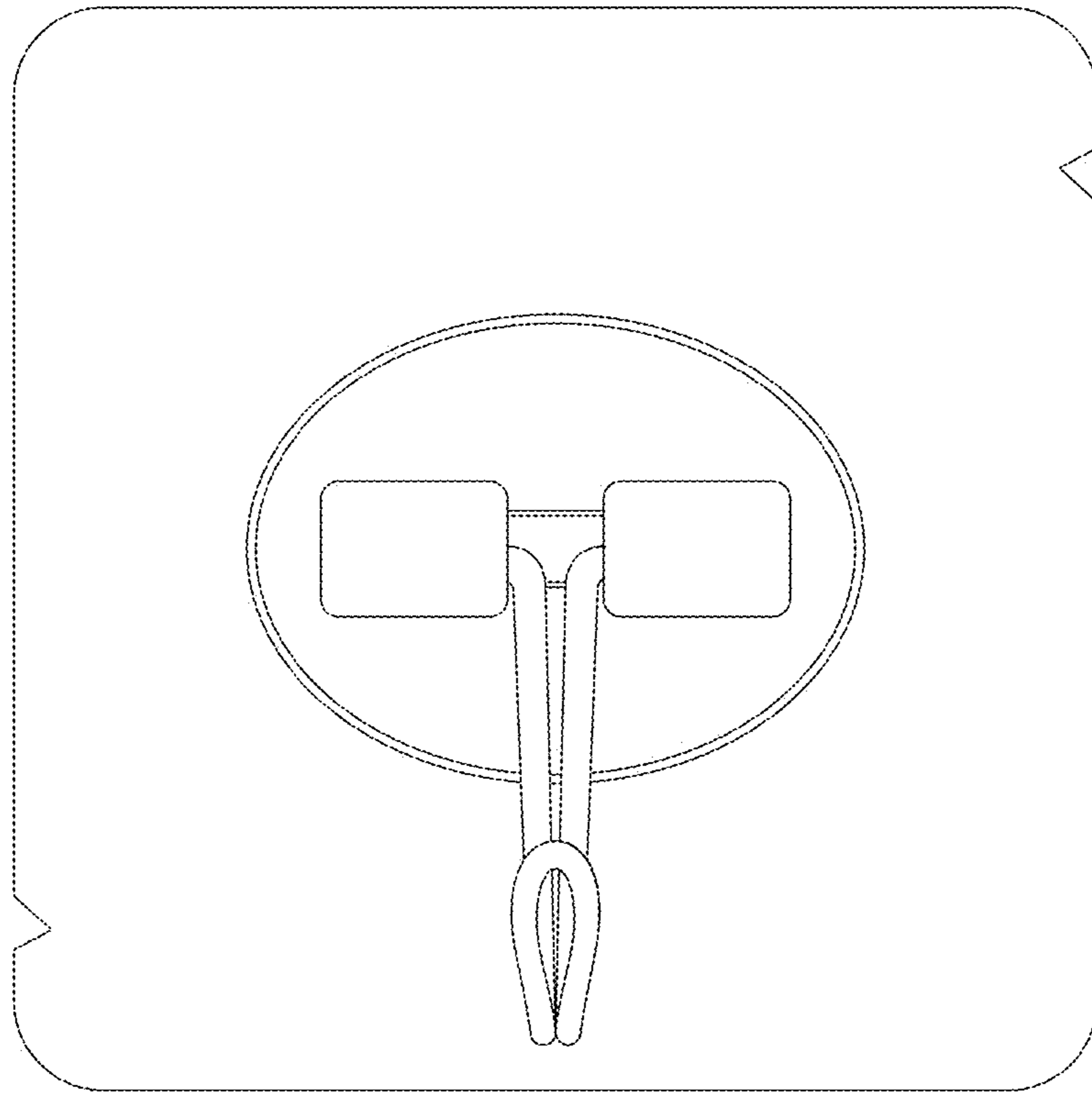


FIG. 2

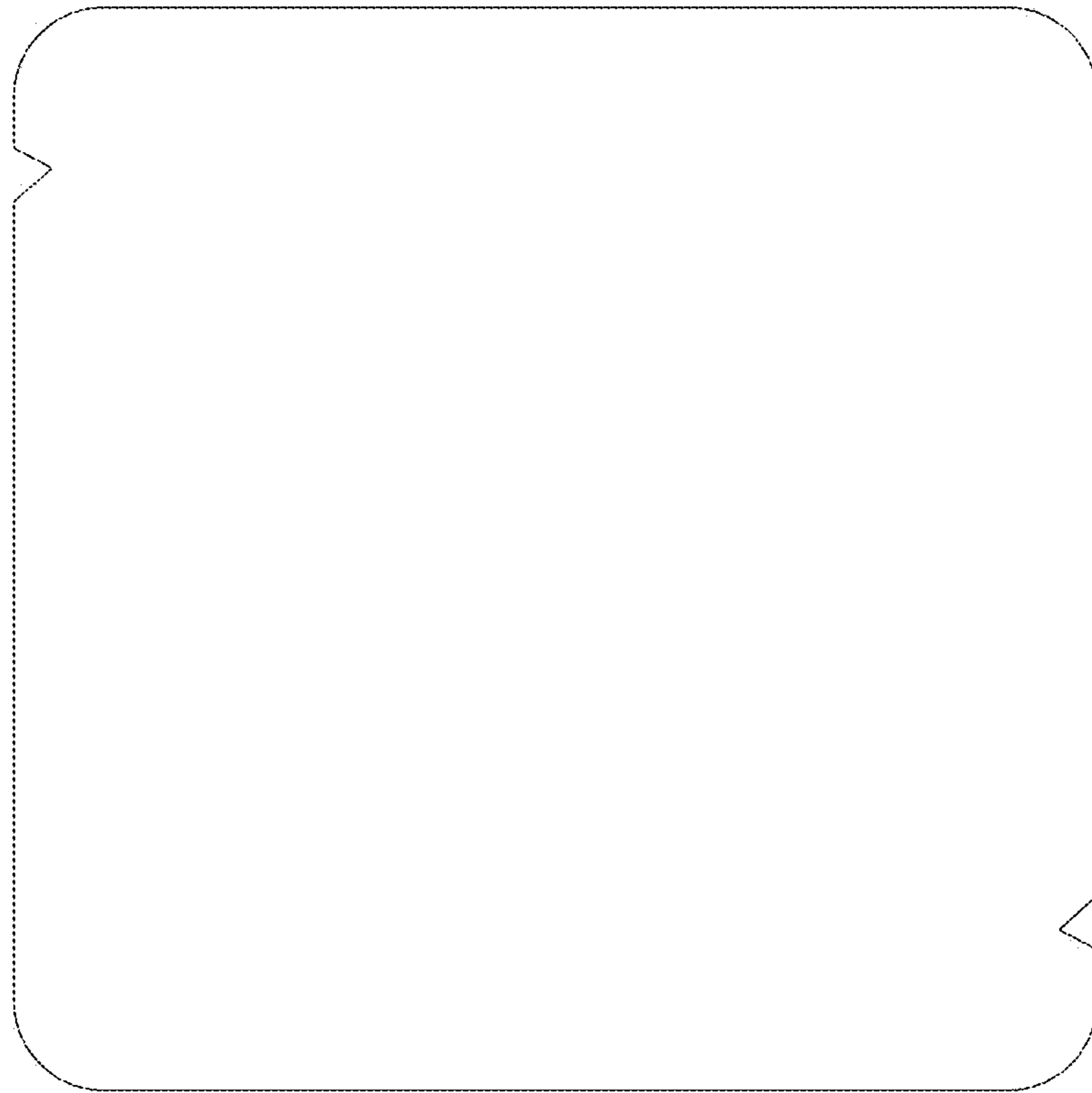


FIG. 3

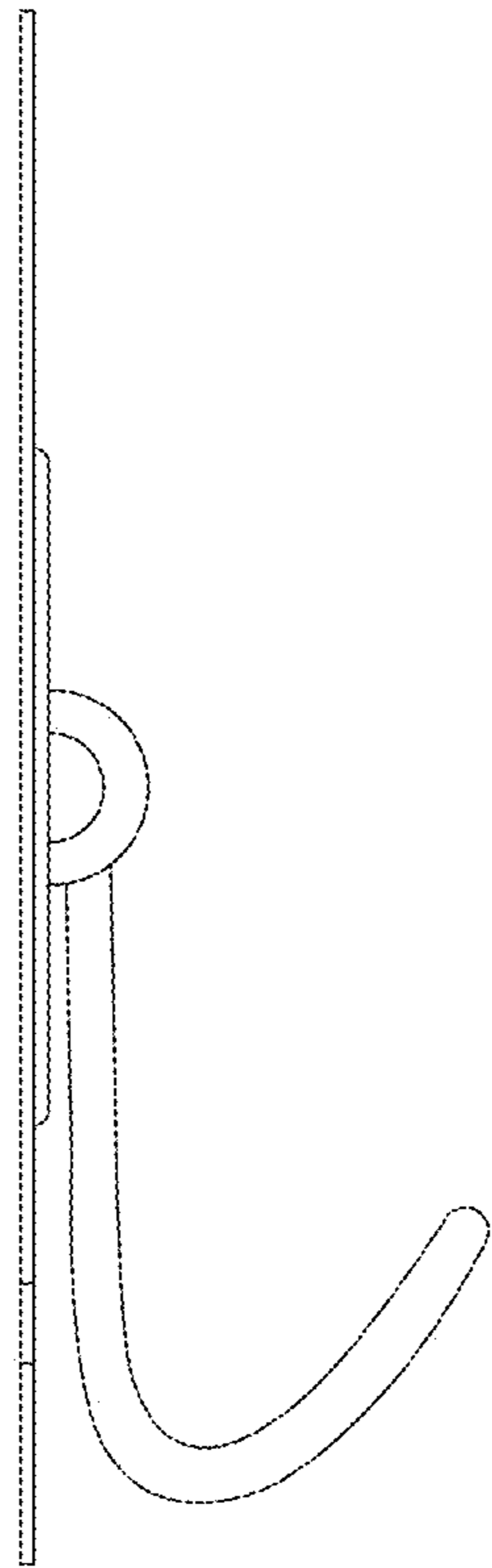


FIG. 4

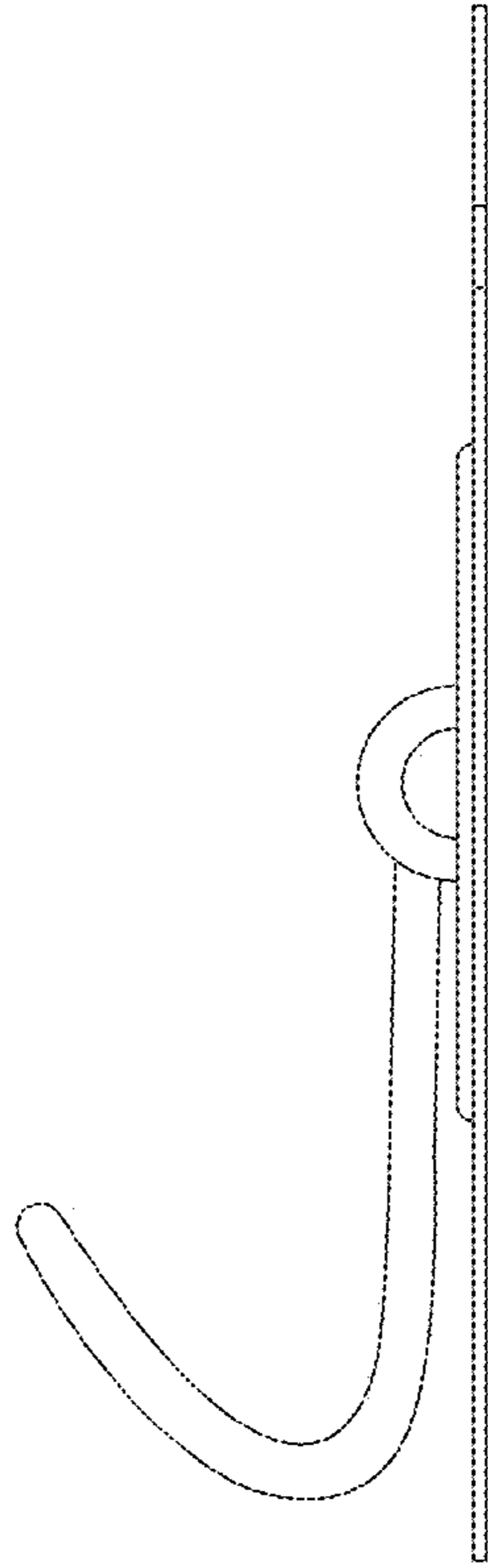


FIG. 5

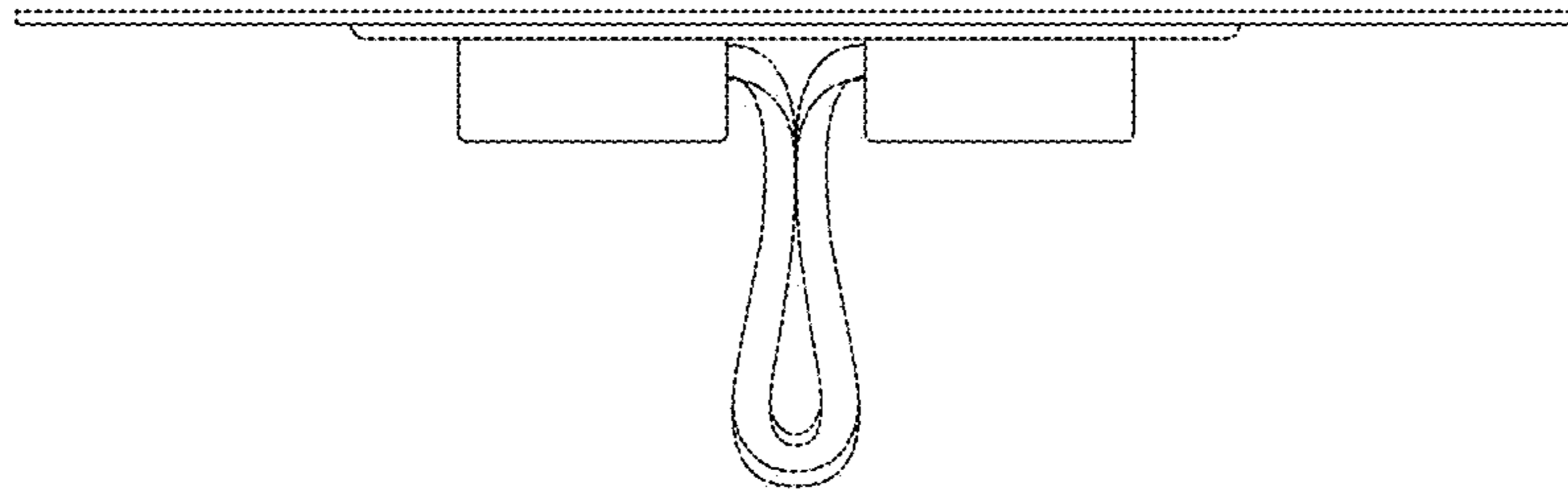


FIG. 6

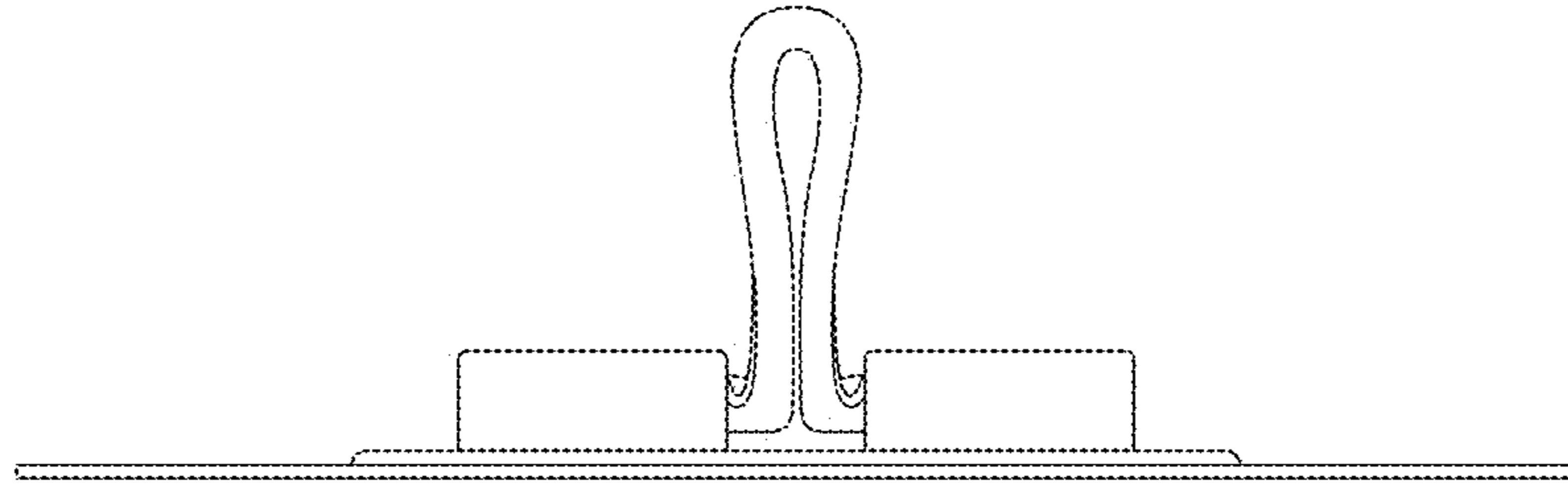


FIG. 7