



US00D981825S

(12) **United States Design Patent**
Hu

(10) **Patent No.:** **US D981,825 S**
(45) **Date of Patent:** **** Mar. 28, 2023**

(54) **CORD ORGANIZER**

(71) Applicant: **Fanxian Hu**, Wuhan (CN)

(72) Inventor: **Fanxian Hu**, Wuhan (CN)

(**) Term: **15 Years**

(21) Appl. No.: **29/859,022**

(22) Filed: **Nov. 7, 2022**

(30) **Foreign Application Priority Data**

Aug. 1, 2022 (CN) 202230496021.2

(51) **LOC (14) Cl.** **08-08**

(52) **U.S. Cl.**
USPC **D8/356; D8/394**

(58) **Field of Classification Search**
USPC D8/349, 356-358, 382-385, 394, 395;
D13/155
CPC B65H 75/366; B65H 75/364; B65H 75/34;
B65H 75/4442; B65H 54/60; B65H
75/285; Y10T 24/39; Y10T 24/3444
See application file for complete search history.

(56) **References Cited**

U.S. PATENT DOCUMENTS

- D191,885 S * 12/1961 Corlett D8/356
- 4,095,871 A * 6/1978 Holte H02G 11/02
242/405.1
- D255,419 S * 6/1980 Hume D8/382
- D299,311 S * 1/1989 Whitley, II D8/356
- 6,256,844 B1 * 7/2001 Wheatley B61D 45/001
410/110
- D533,442 S * 12/2006 Baylor D8/382
- D599,195 S * 9/2009 Wen D8/356
- 7,825,337 B2 * 11/2010 Young, IV H02G 3/30
174/72 A
- D629,671 S * 12/2010 Ohori D8/356
- D684,846 S * 6/2013 DePhillips D8/356

- D873,117 S * 1/2020 Riolo D8/356
- 10,536,766 B1 * 1/2020 Singer H04R 1/1033
- D885,869 S 6/2020 Moldvaer
- 10,737,902 B2 * 8/2020 Pai B65H 75/4465
- D929,851 S 9/2021 Deng
- D968,944 S * 11/2022 Liu D8/394
- 2013/0037643 A1 * 2/2013 Belyea E06B 9/326
242/118
- 2013/0126661 A1 * 5/2013 Detweiler H04R 1/1033
242/550
- 2013/0193253 A1 * 8/2013 Sarver B65H 75/446
242/400.1
- 2013/0220872 A1 * 8/2013 Stiehl B65H 75/285
206/577
- 2013/0265702 A1 * 10/2013 Merenda G06F 1/1656
361/679.01
- 2016/0050481 A1 * 2/2016 Moats H04R 1/1033
381/384
- 2017/0018914 A1 * 1/2017 Barnas B65H 75/06

* cited by examiner

Primary Examiner — Lauren R Calve
(74) *Attorney, Agent, or Firm* — Daniel M. Cohn;
Howard M. Cohn

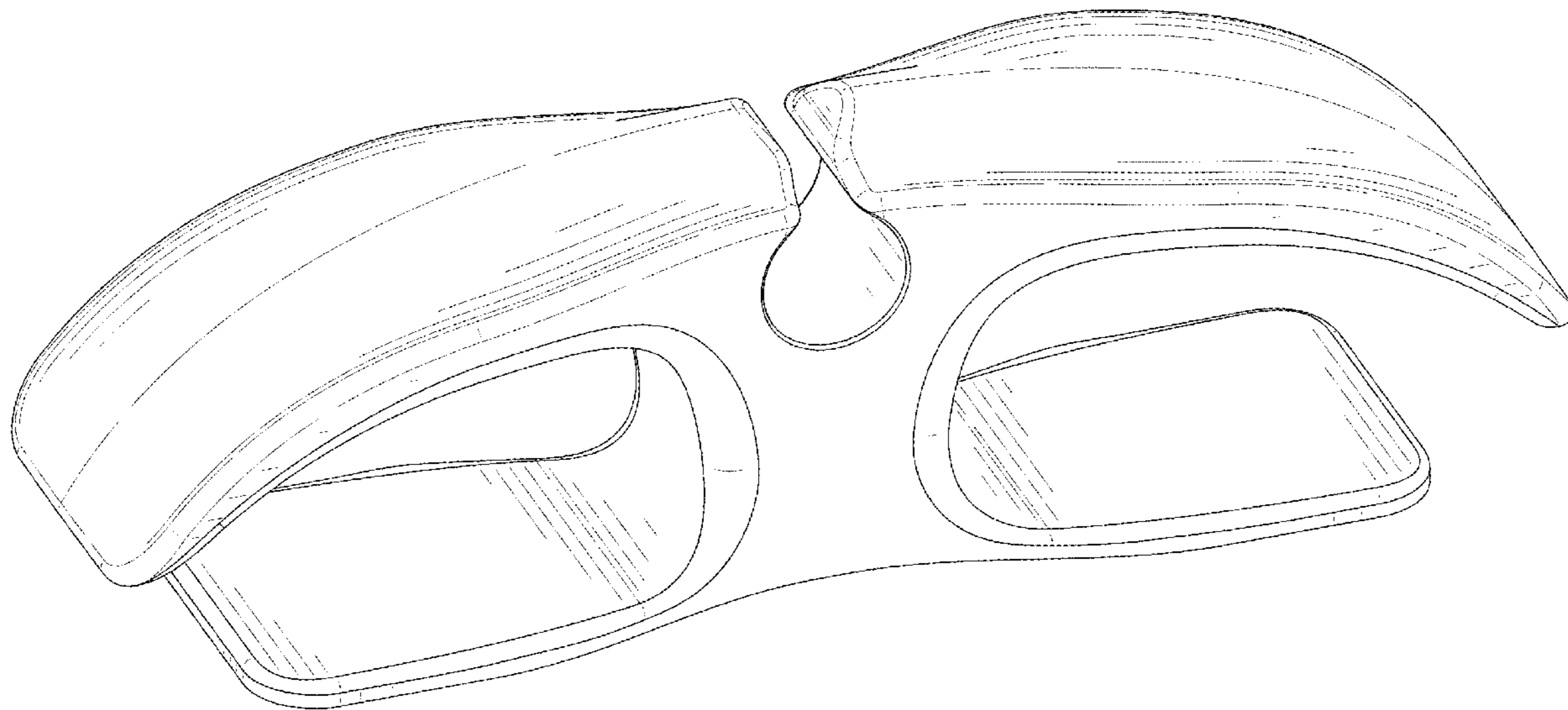
(57) **CLAIM**

The ornamental design for a cord organizer, as shown and described.

DESCRIPTION

FIG. 1 is a perspective view of a cord organizer showing my new design;
FIG. 2 is another perspective view thereof;
FIG. 3 is a front elevational view thereof;
FIG. 4 is a rear elevational view thereof;
FIG. 5 is a left side elevational view thereof;
FIG. 6 is a right side elevational view thereof;
FIG. 7 is a top plan view thereof; and,
FIG. 8 is a bottom plan view thereof.

1 Claim, 8 Drawing Sheets



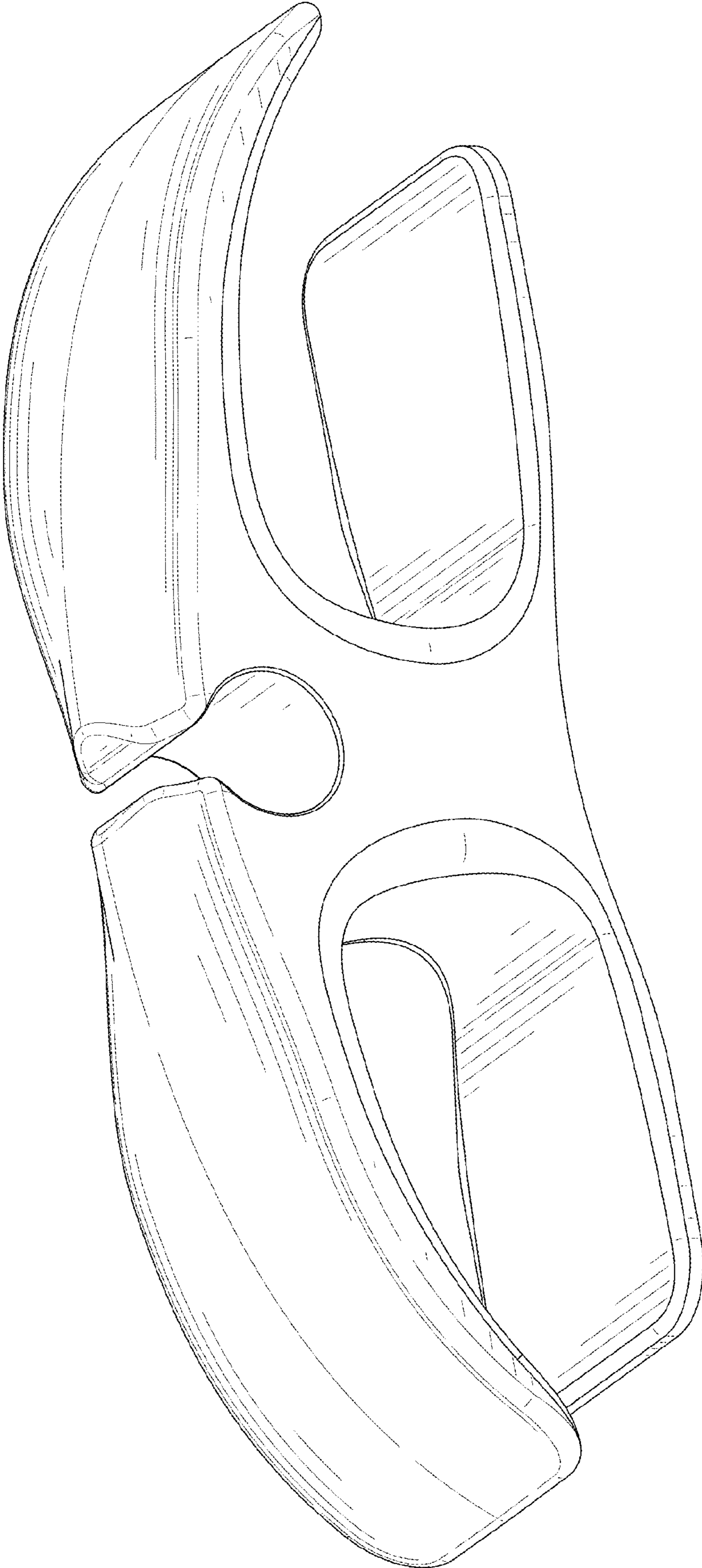


FIG. 1

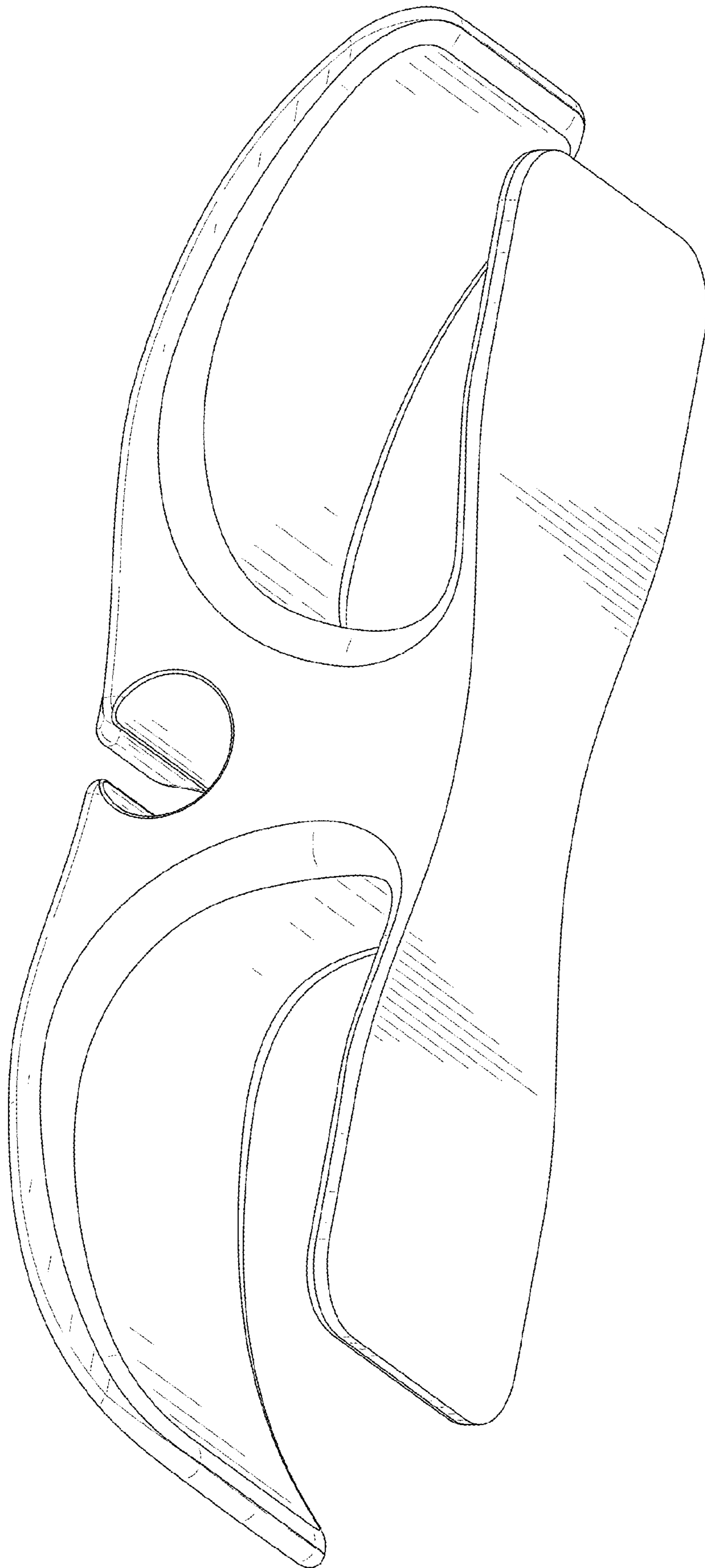


FIG. 2

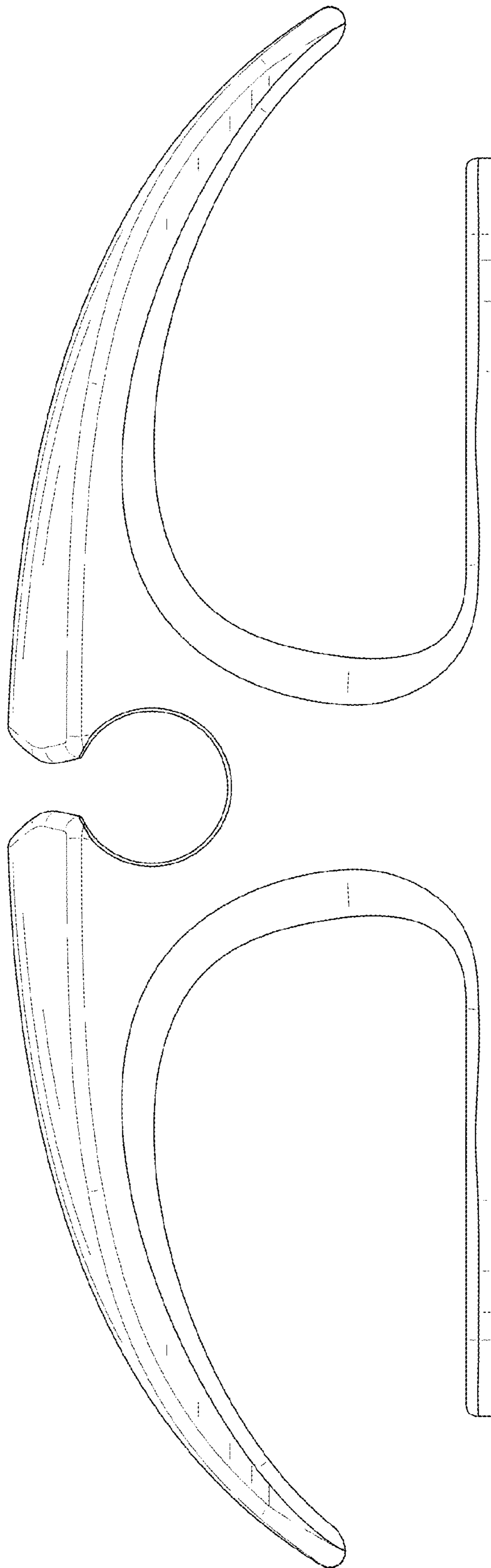


FIG. 3

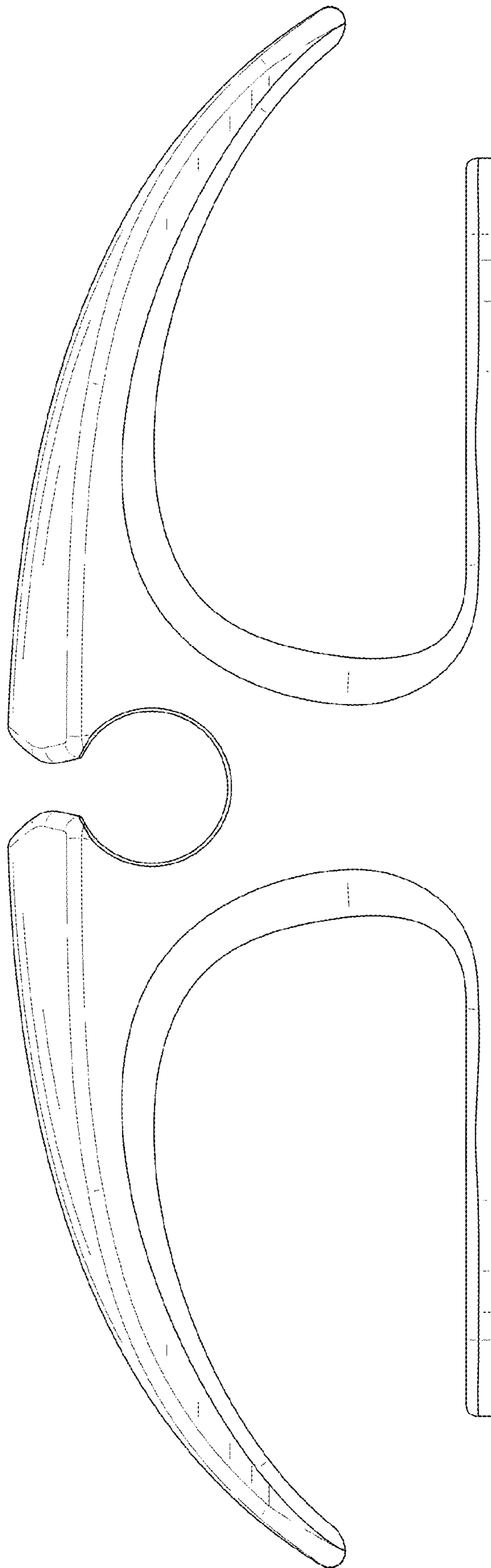


FIG. 4

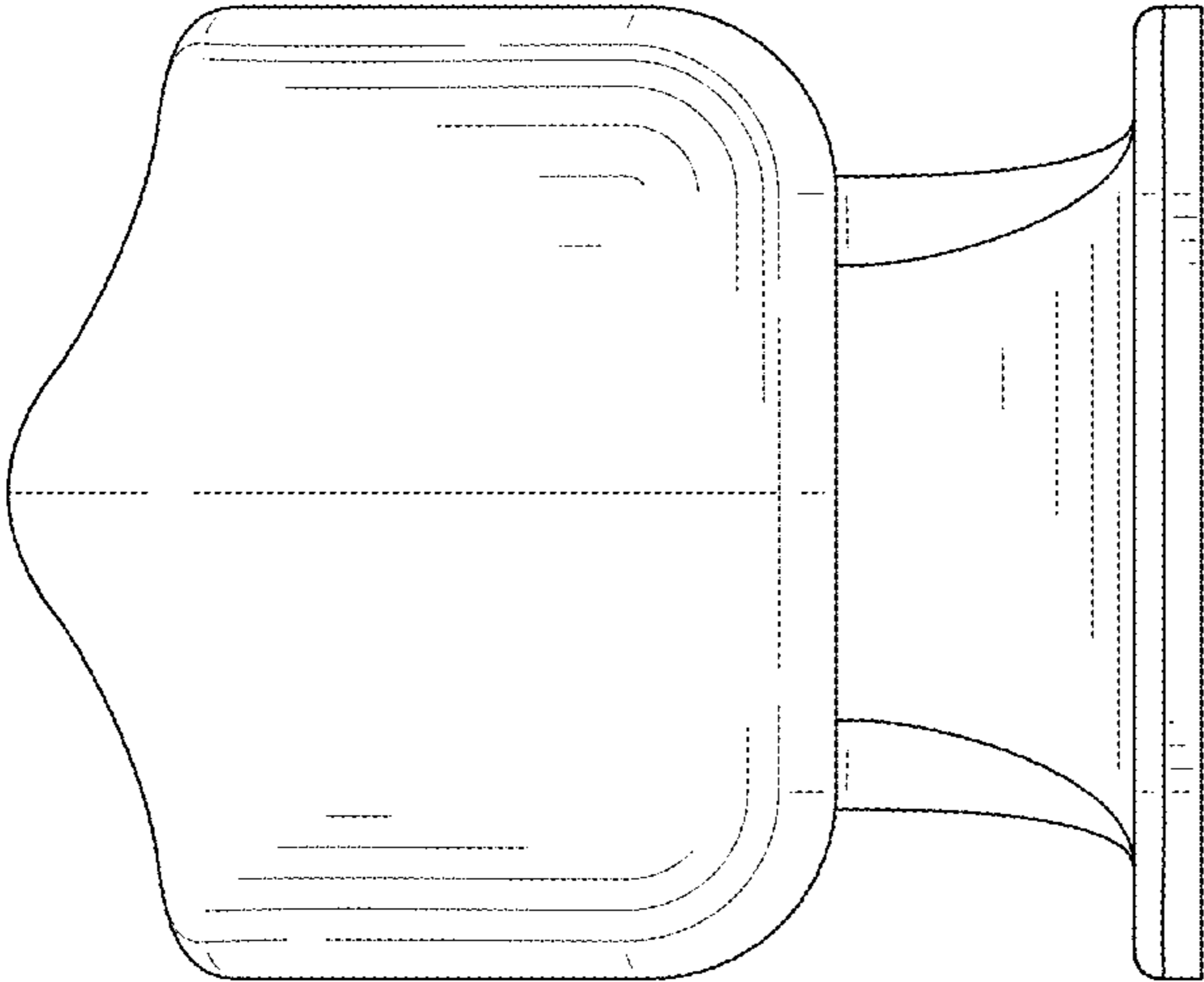


FIG. 5

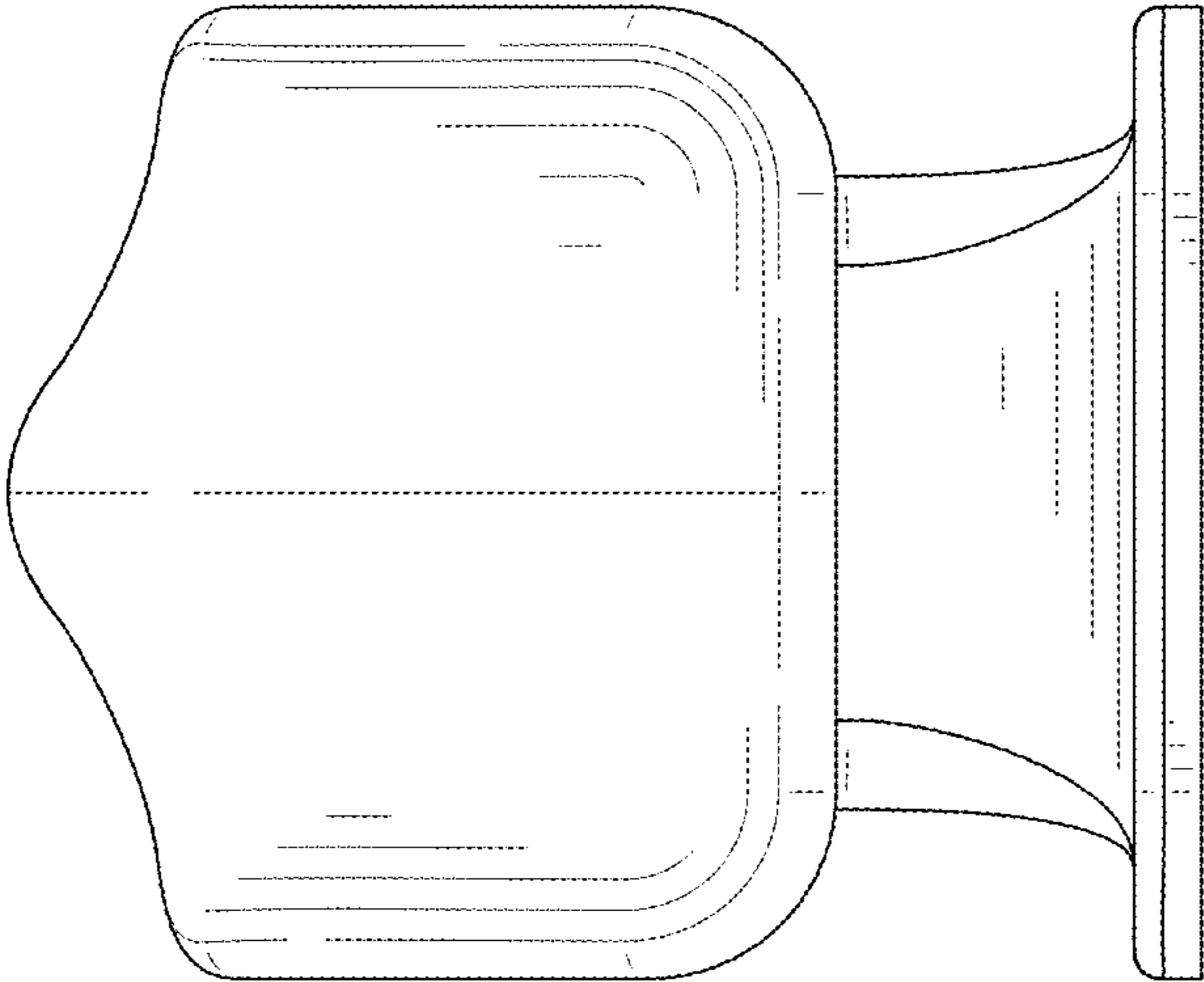


FIG. 6

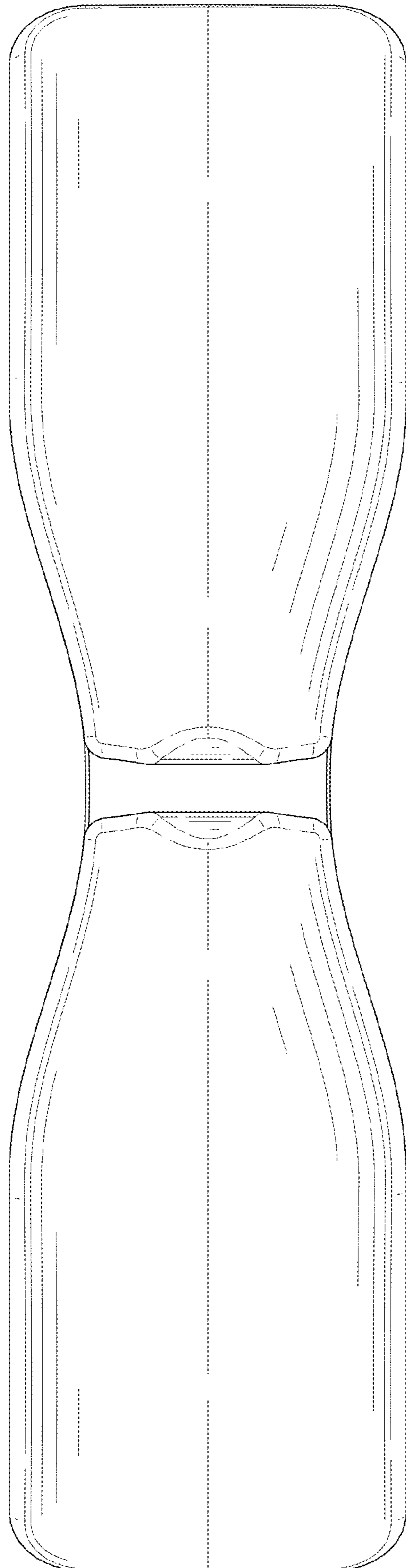


FIG. 7

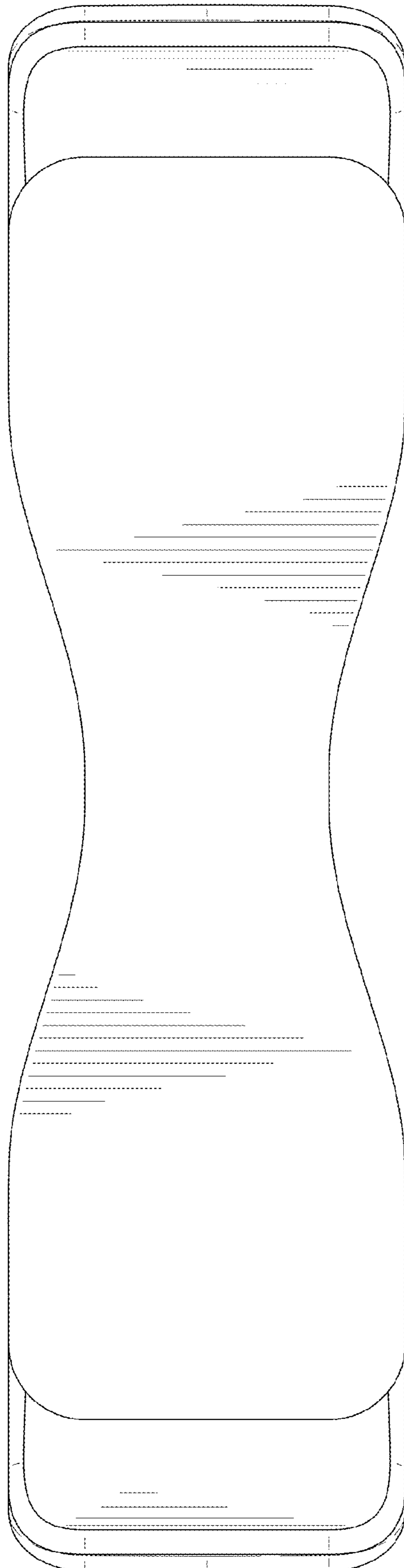


FIG. 8