



US00D981823S

(12) **United States Design Patent**
Hongmeng

(10) **Patent No.:** **US D981,823 S**
(45) **Date of Patent:** **** Mar. 28, 2023**

(54) **WINDER**
(71) Applicant: **Fangqian Daily Necessities (Xiamen) Co., Ltd., Xiamen (CN)**
(72) Inventor: **Zou Hongmeng, Xiamen (CN)**
(**) Term: **15 Years**
(21) Appl. No.: **29/845,528**
(22) Filed: **Jul. 8, 2022**

D708,044 S 7/2014 Komeno et al.
D733,534 S * 7/2015 Altrichter D8/356
D736,060 S 8/2015 Shimizu et al.
D753,469 S * 4/2016 Ferber D8/356
D762,461 S 8/2016 Kirkham
D820,069 S 6/2018 Hack
D823,672 S * 7/2018 Mogensen D8/382
D840,795 S * 2/2019 Tribbett B65D 63/109
D841,450 S * 2/2019 Larson D8/356
D897,987 S 10/2020 Park et al.
D907,988 S * 1/2021 Yu D8/356
D909,188 S * 2/2021 Kou D8/356

(Continued)

(30) **Foreign Application Priority Data**

Jun. 14, 2022 (CN) 202230360985.4
(51) **LOC (14) Cl.** **09-06**
(52) **U.S. Cl.**
USPC **D8/356**
(58) **Field of Classification Search**
USPC D8/353-356, 363, 376, 380, 381, 383,
D8/384, 394-396
CPC H02G 3/32
See application file for complete search history.

(56) **References Cited**

U.S. PATENT DOCUMENTS

4,837,899 A * 6/1989 Young A47L 9/248
24/339
D407,963 S * 4/1999 Gretz D8/356
D408,269 S * 4/1999 Ross D8/356
D564,022 S 3/2008 Russo
D575,143 S * 8/2008 Kuo D8/394
D584,132 S * 1/2009 Judd D8/356
D587,564 S * 3/2009 Kodi D8/396
D621,693 S * 8/2010 Dong D8/356
D630,933 S * 1/2011 Marr, Jr. D8/356
D648,211 S * 11/2011 Weaver D8/396
D652,698 S * 1/2012 Rothell D8/356
D702,106 S * 4/2014 Weinberg B65D 63/109
D8/356
D702,107 S * 4/2014 Weinberg D8/356

OTHER PUBLICATIONS

4Pack Cord Organizer for Kitchen Appliances,Cord Wrap Racks, Wire packs for Small Appliances , for Blender, Coffee Maker, Pressure Cooker and Air Fryer(Black); Yasinngi; Amazon.com; Jun. 1, 2022; accessed Oct. 17, 2022; URL:< https://www.amazon.com/dp/B0B2WD78Q2/?th=1 > (Year: 2022).*

Primary Examiner — Rachel A. Voorhies
Assistant Examiner — Benjamin D. Wannemacher
(74) *Attorney, Agent, or Firm* — Rumit Ranjit Kanakia

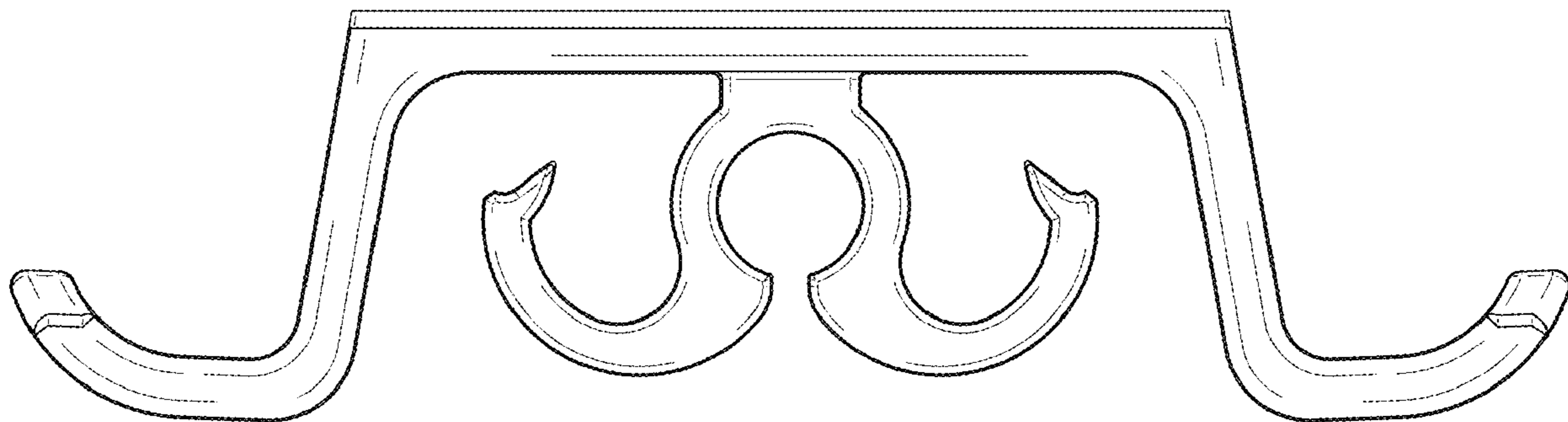
(57) **CLAIM**

The ornamental design for a winder, as shown and described.

DESCRIPTION

FIG. 1 is a front perspective view of a winder showing my new design;
FIG. 2 is a front view thereof;
FIG. 3 is a rear view thereof;
FIG. 4 is a left side view thereof;
FIG. 5 is a right side view thereof;
FIG. 6 is a top view thereof; and,
FIG. 7 is a bottom view thereof.

1 Claim, 5 Drawing Sheets



(56)

References Cited

U.S. PATENT DOCUMENTS

D926,706 S * 8/2021 Gustaveson, II F16B 1/00
D13/155
D928,311 S * 8/2021 McVaney D24/128
D944,629 S * 3/2022 Barrett D8/356
D947,374 S * 3/2022 Lindsay D24/128
11,336,080 B1 * 5/2022 Rosplock H02G 3/0456
D961,069 S * 8/2022 O'Dea D24/128
D961,461 S * 8/2022 Liu D12/115
D964,550 S * 9/2022 Hall, Jr. D24/110.1
D965,141 S * 9/2022 Oldfield D24/127
2010/0155104 A1 * 6/2010 Brown H02G 3/32
174/135
2011/0260025 A1 * 10/2011 Aoshima B60R 16/0215
248/231.81
2015/0276093 A1 * 10/2015 Aotani H02G 3/32
248/72
2022/0190577 A1 * 6/2022 Worden H02G 7/08

* cited by examiner

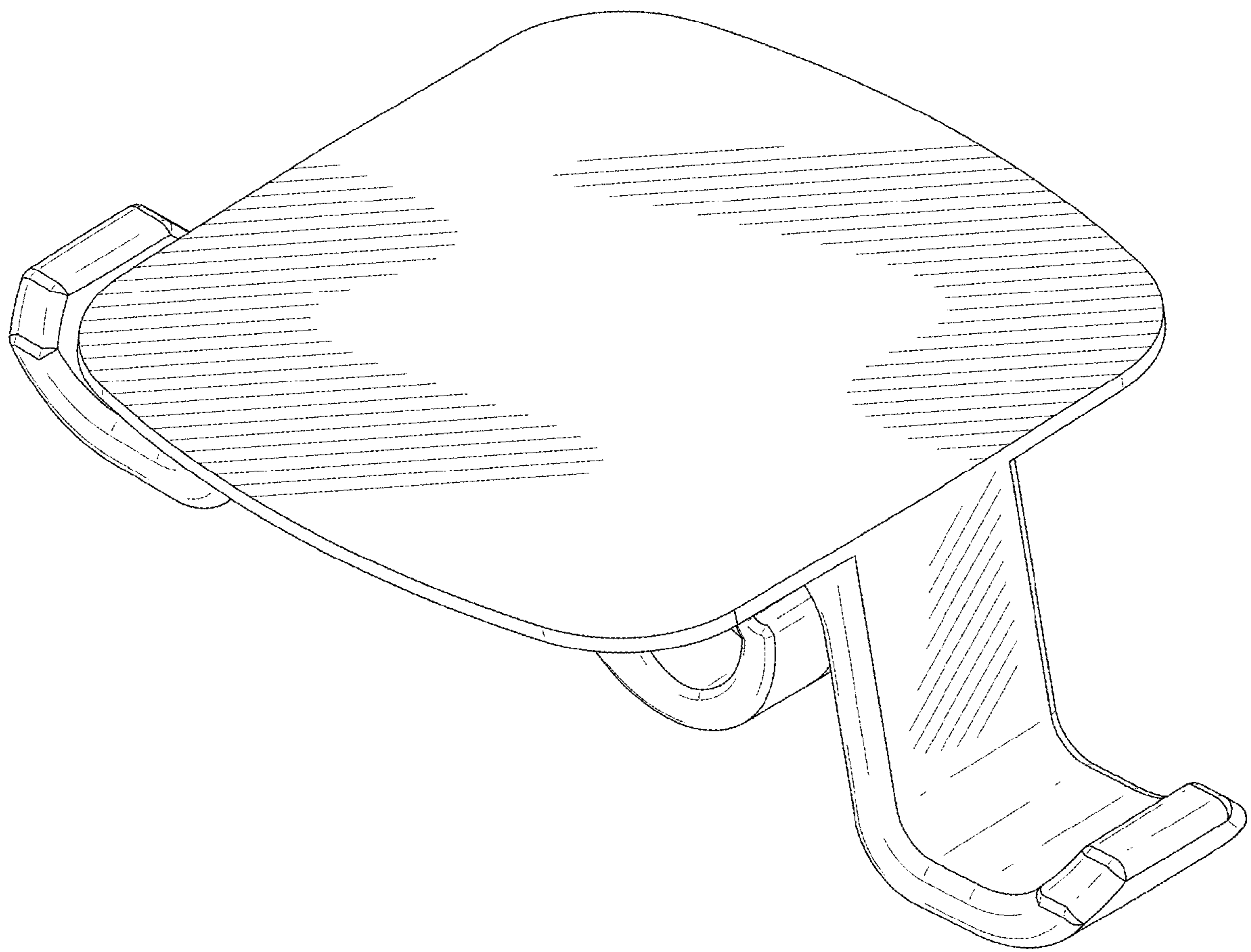


FIG. 1

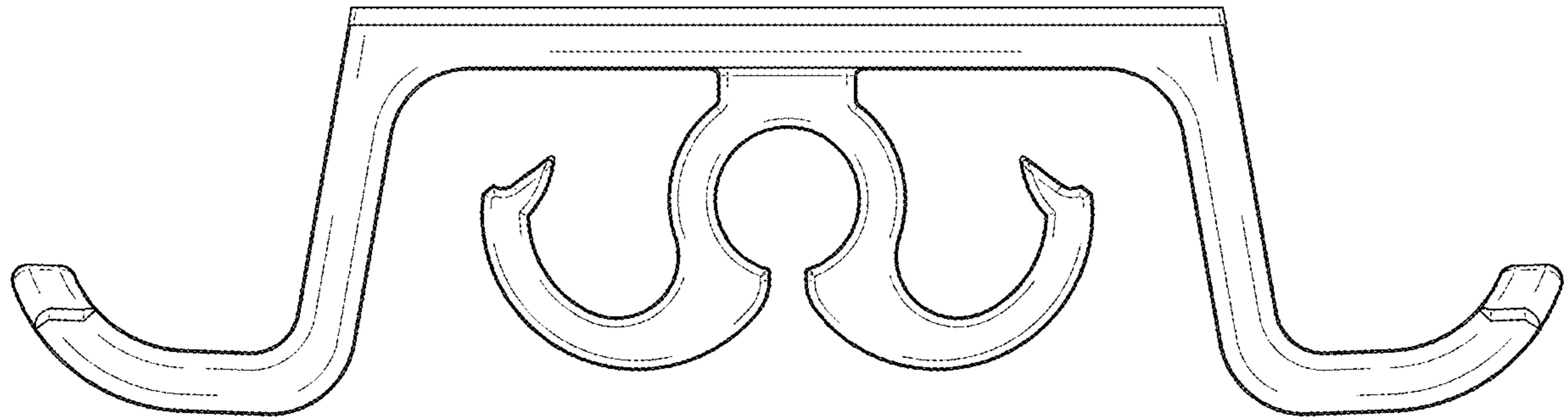


FIG. 2

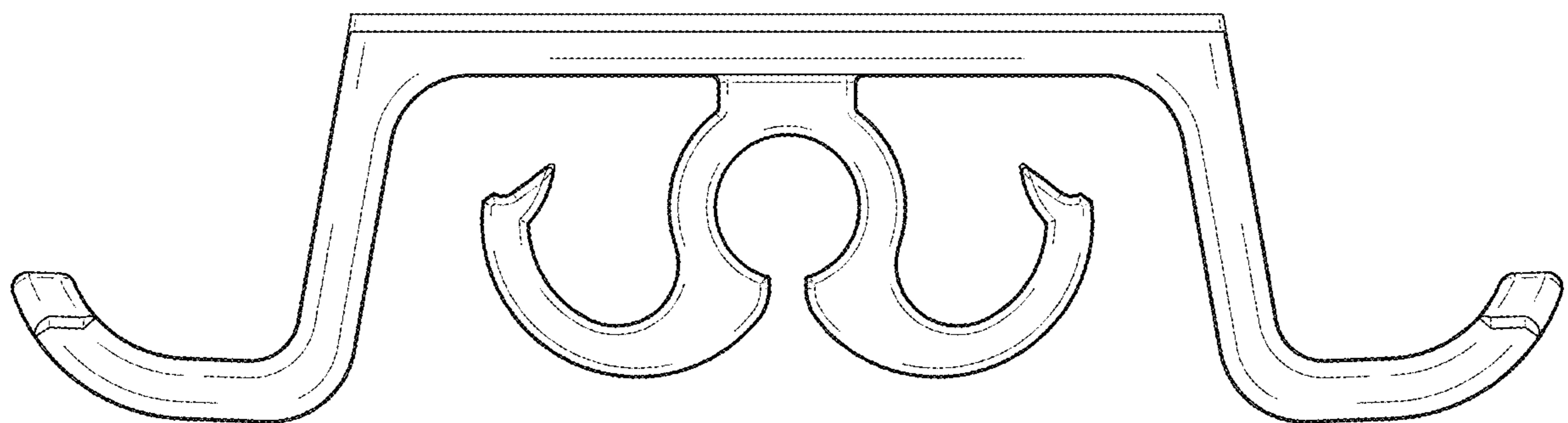


FIG. 3

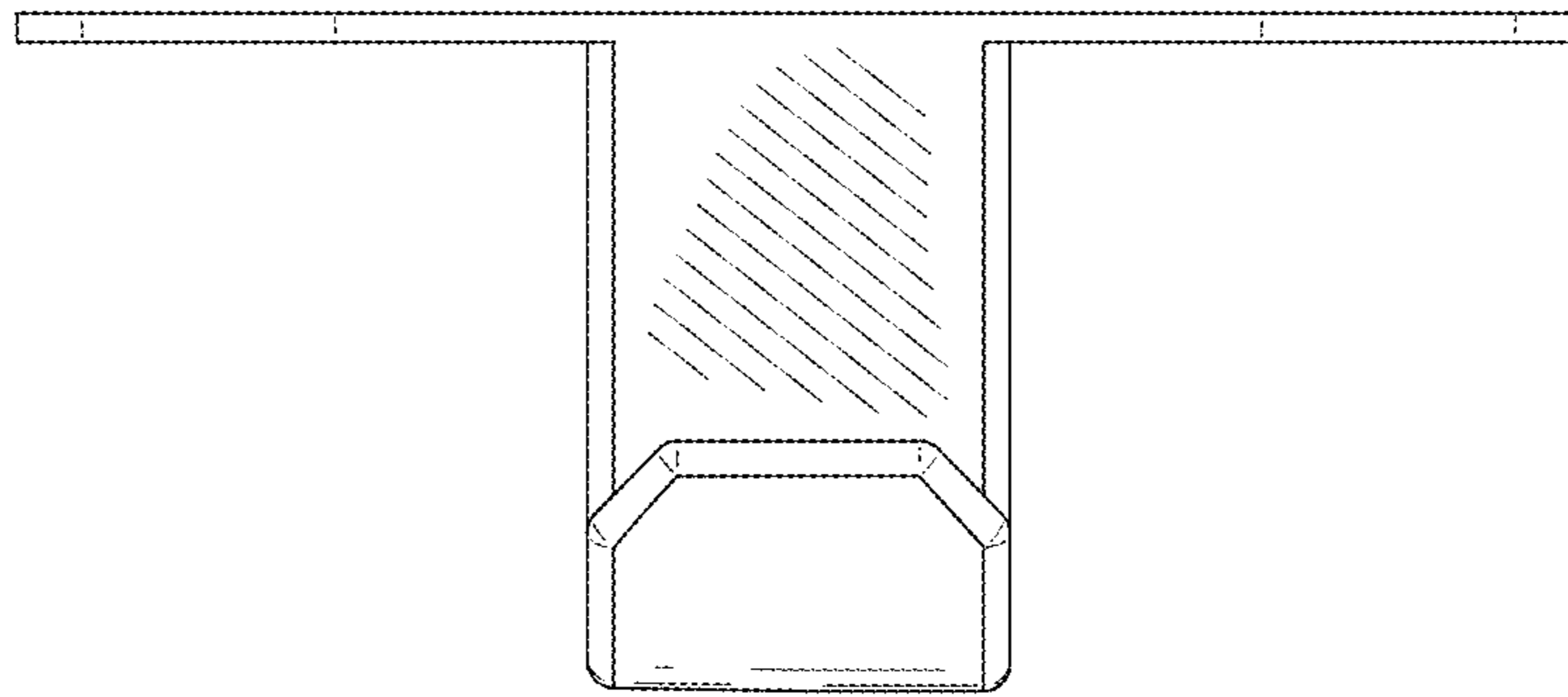


FIG. 4

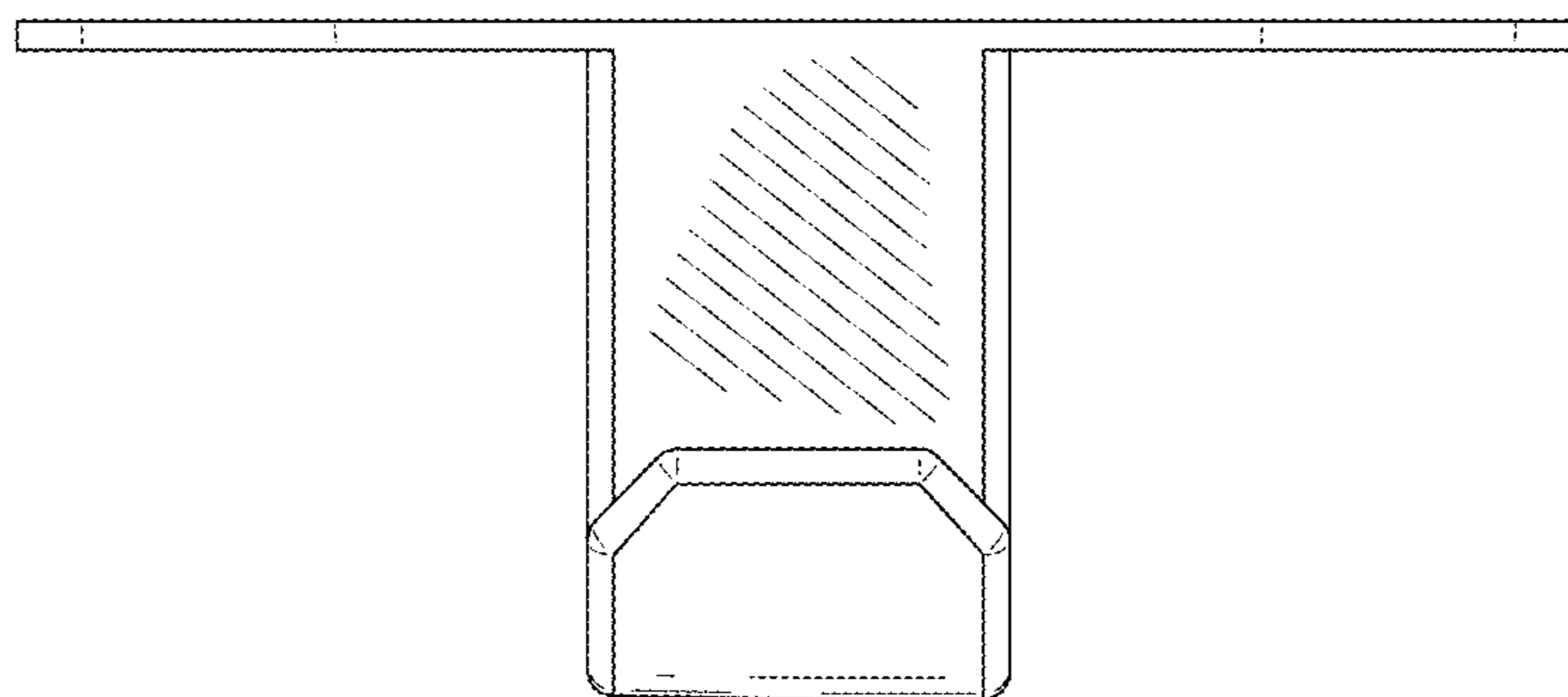


FIG. 5

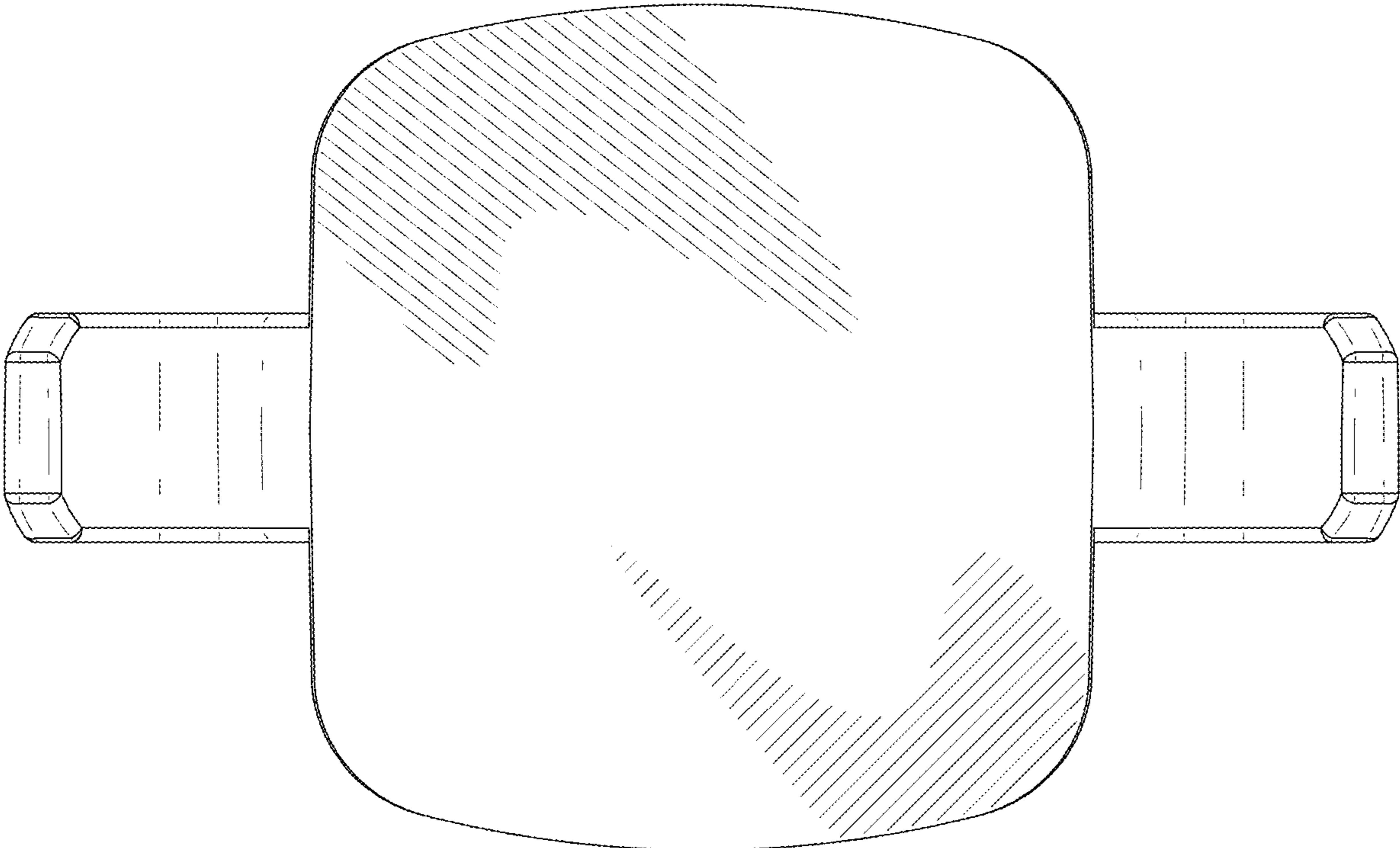


FIG. 6

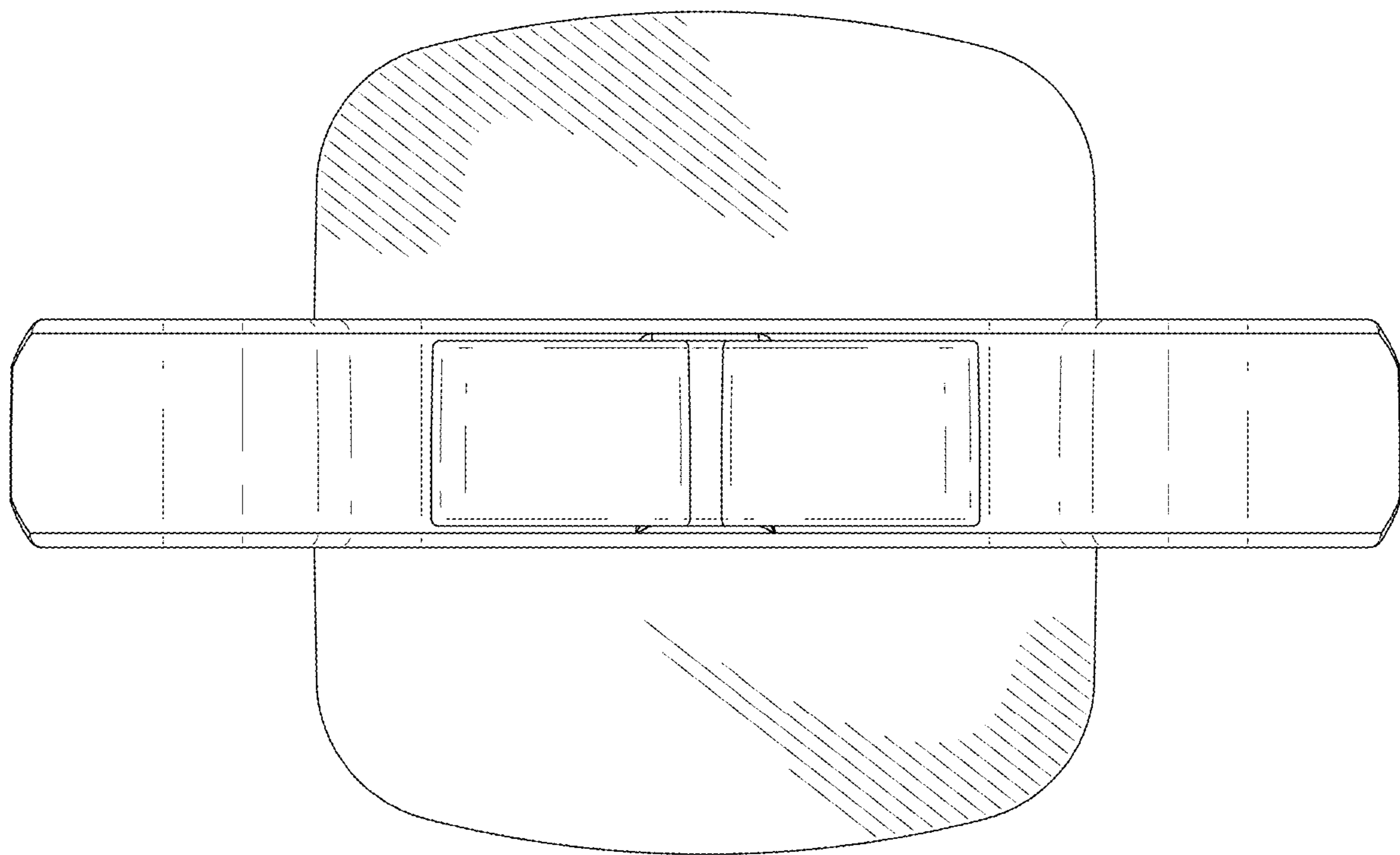


FIG. 7