



US00D981821S

(12) **United States Design Patent**
Li

(10) **Patent No.:** **US D981,821 S**
(45) **Date of Patent:** **** Mar. 28, 2023**

- (54) **SMART DOOR LOCK**
- (71) Applicant: **Wenzhou Zhixin Intelligent Lock Industry Co., Ltd., Zhejiang (CN)**
- (72) Inventor: **Zhuoyuan Li, Zhejiang (CN)**
- (**) Term: **15 Years**
- (21) Appl. No.: **29/798,172**
- (22) Filed: **Jul. 6, 2021**
- (51) **LOC (14) Cl.** **08-07**
- (52) **U.S. Cl.**
USPC **D8/331**
- (58) **Field of Classification Search**
USPC **D8/331**
CPC **E05B 9/002; E05B 37/0031; E05B 2009/004; E05B 2009/006; G05B 9/02; G05B 19/04; G05B 19/02; G05B 19/41835; G07C 9/00309; G07C 9/0069; G07C 2009/00452; Y10T 70/7068; Y10T 70/7141; Y10T 70/7237; Y10T 70/8568**
See application file for complete search history.

D790,948 S * 7/2017 Lai D8/331
2017/0098335 A1* 4/2017 Payack, Jr. G07C 9/20

* cited by examiner

Primary Examiner — Doris Clark

(57) **CLAIM**

The ornamental design for a smart door lock, as shown and described.

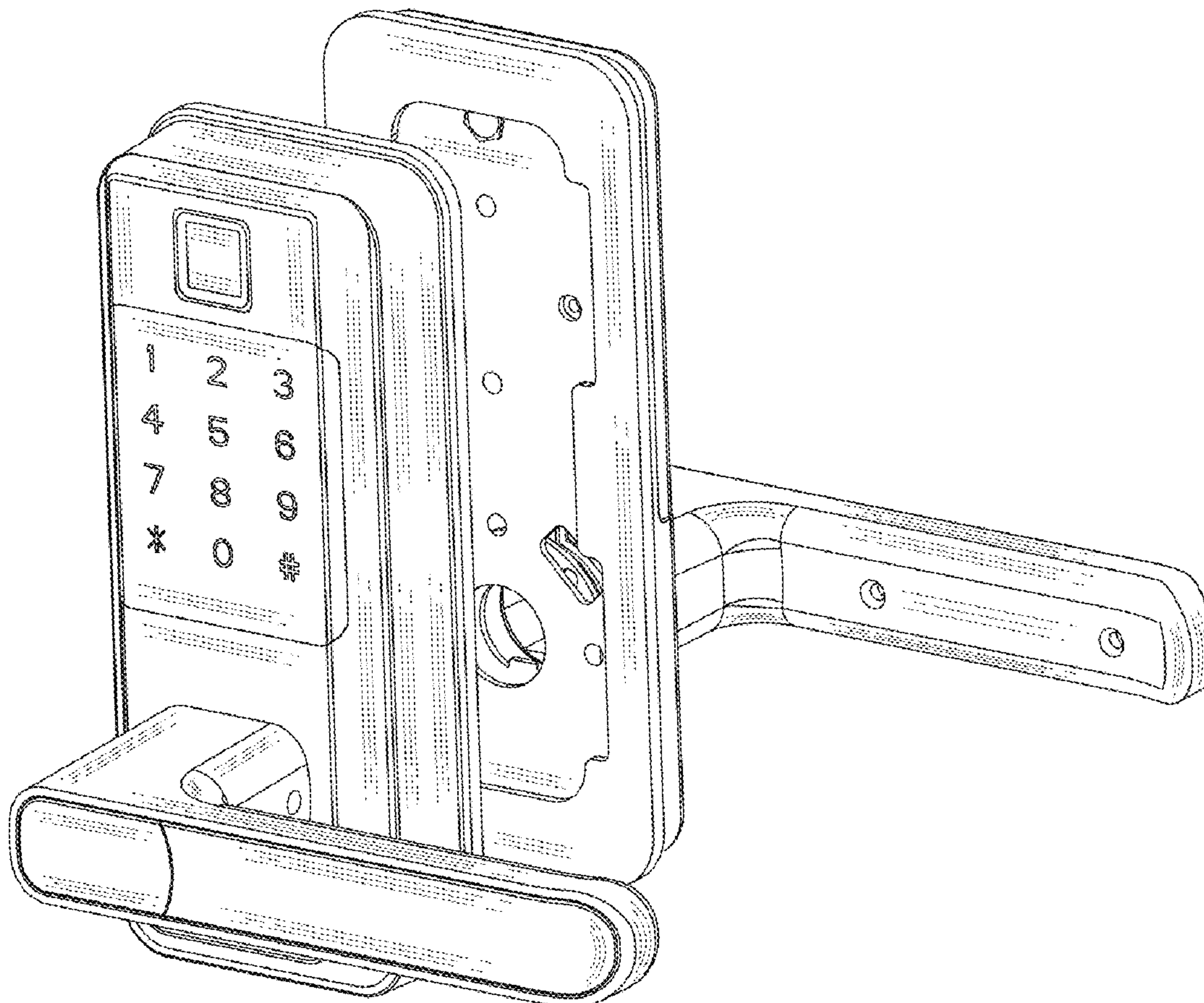
DESCRIPTION

FIG. 1 is a front perspective view of a smart door lock design showing my new design in an open state of use.
FIG. 2 is a front view of a smart door lock.
FIG. 3 is a rear view of a smart door lock.
FIG. 4 is a right side view of a smart door lock.
FIG. 5 is a left side view of a smart door lock.
FIG. 6 is a top view of a smart door lock.
FIG. 7 is a bottom view of a smart door lock; and,
FIG. 8 is a rear perspective view of a smart door lock.
Any shading is not features of the design but are utilized to illustrate the surface contours of the smart door lock design in the drawings.

(56) **References Cited**
U.S. PATENT DOCUMENTS

- 6,865,913 B2 * 3/2005 Yamagishi G07C 9/00563
70/278.1
- D769,102 S * 10/2016 Euchner D8/331

1 Claim, 8 Drawing Sheets



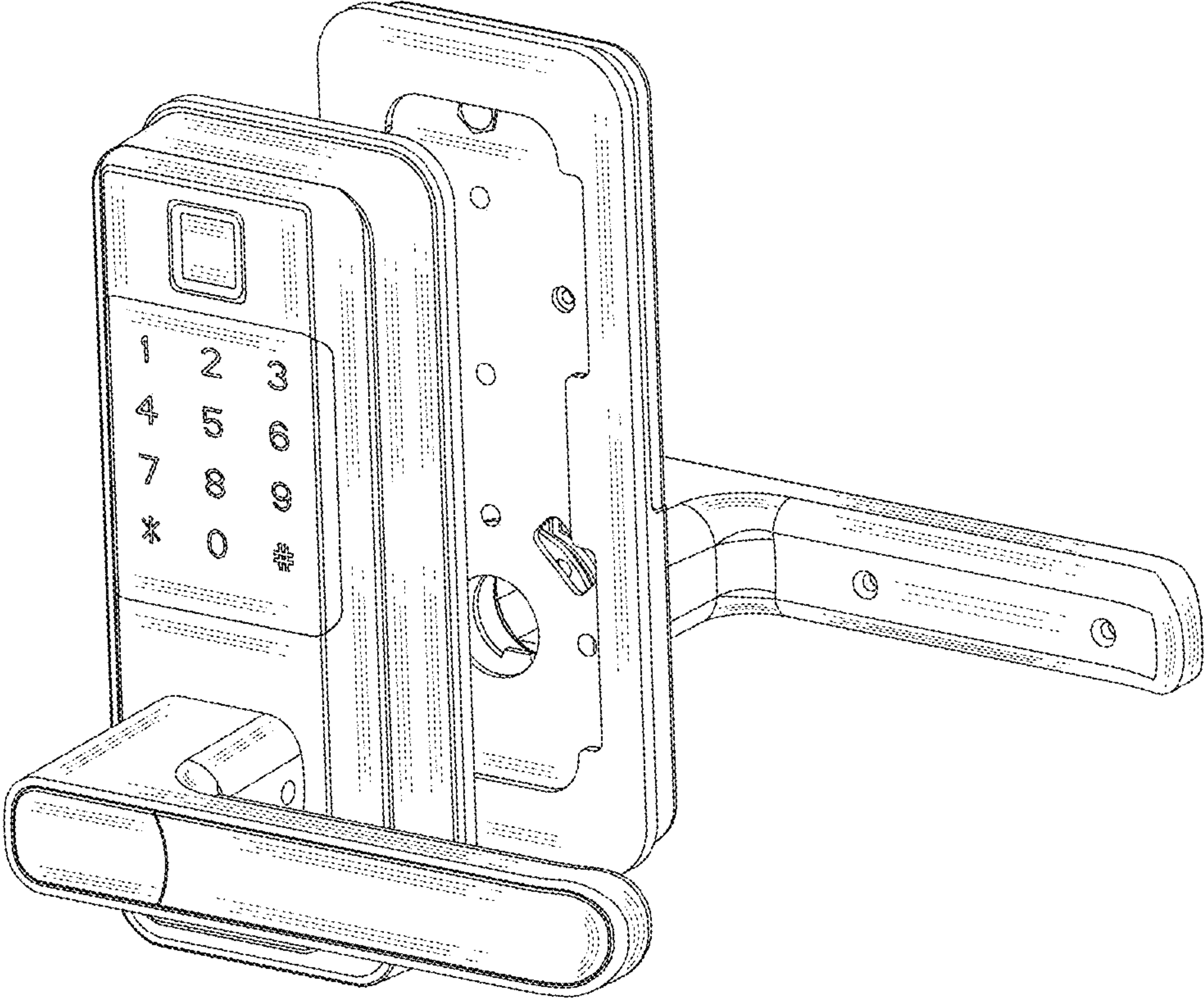


FIG. 1

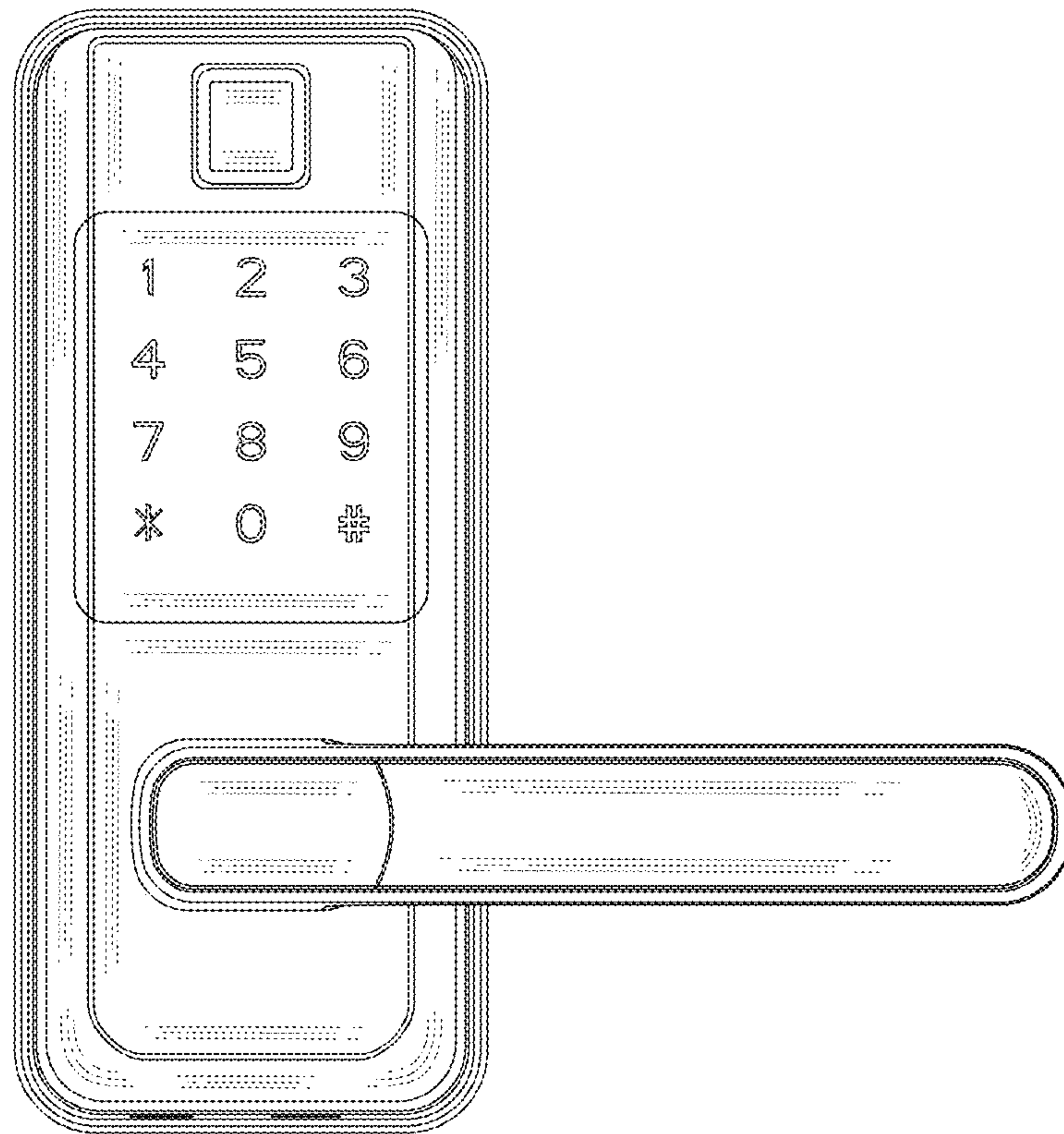


FIG. 2

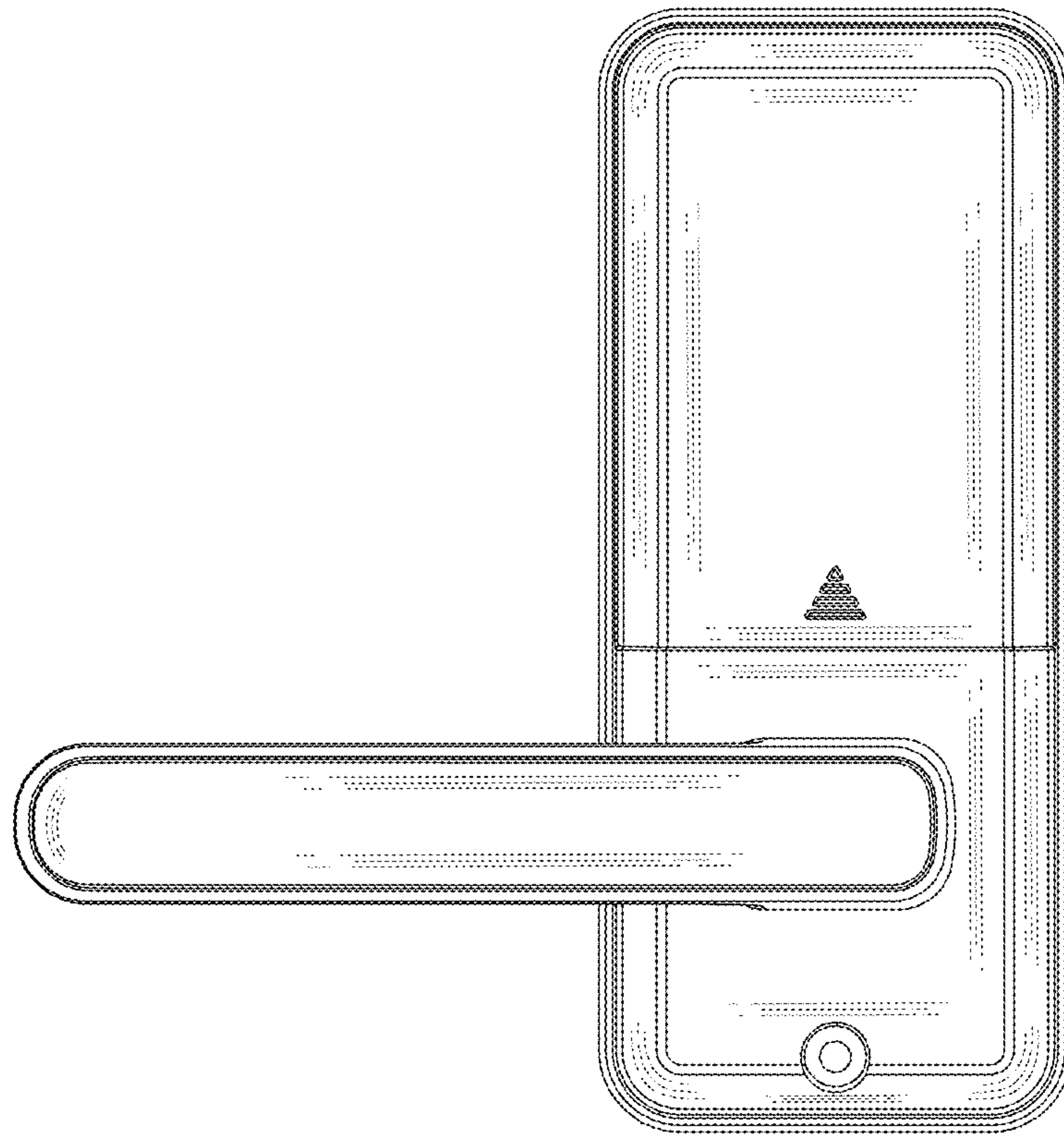


FIG. 3

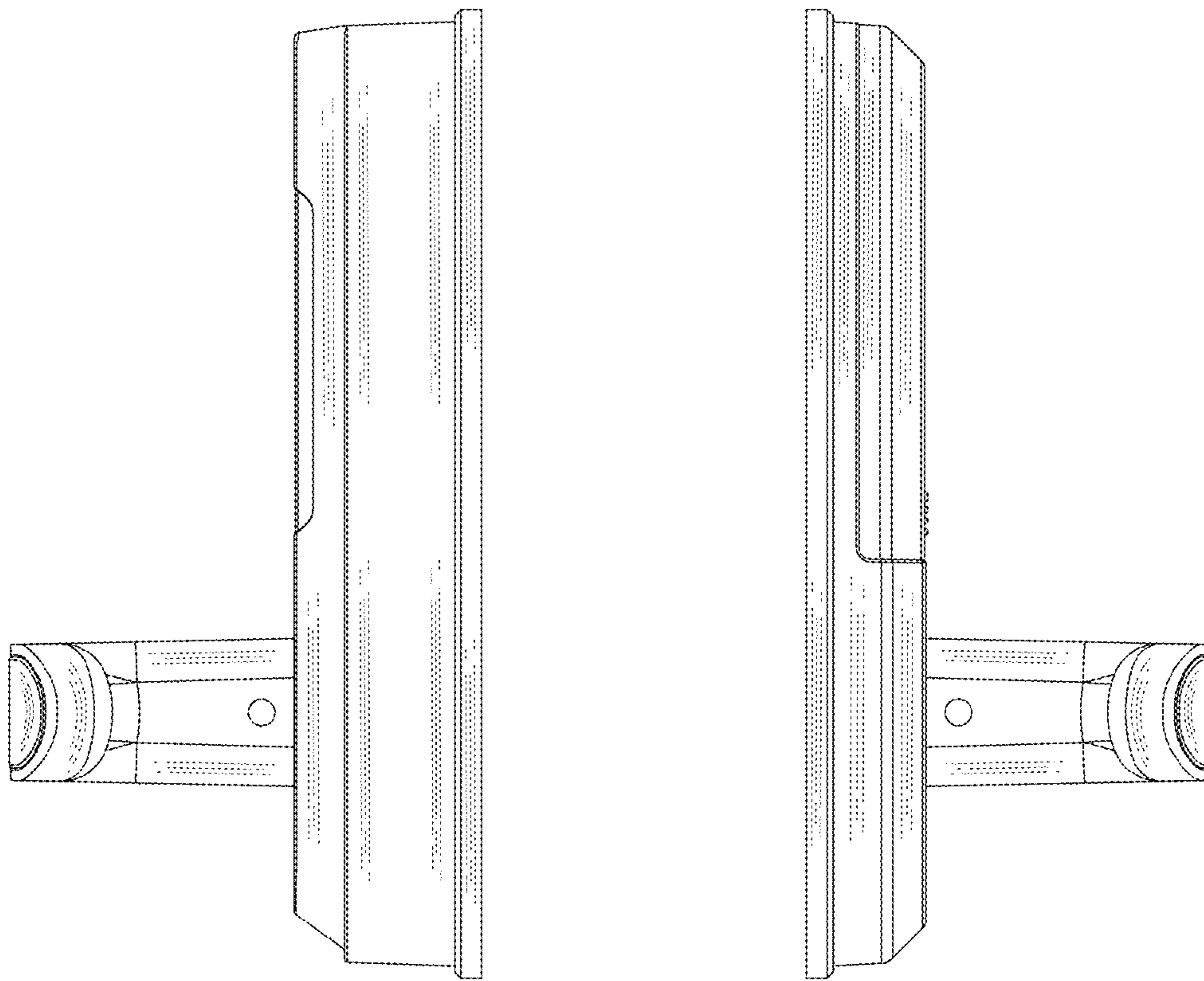


FIG. 4

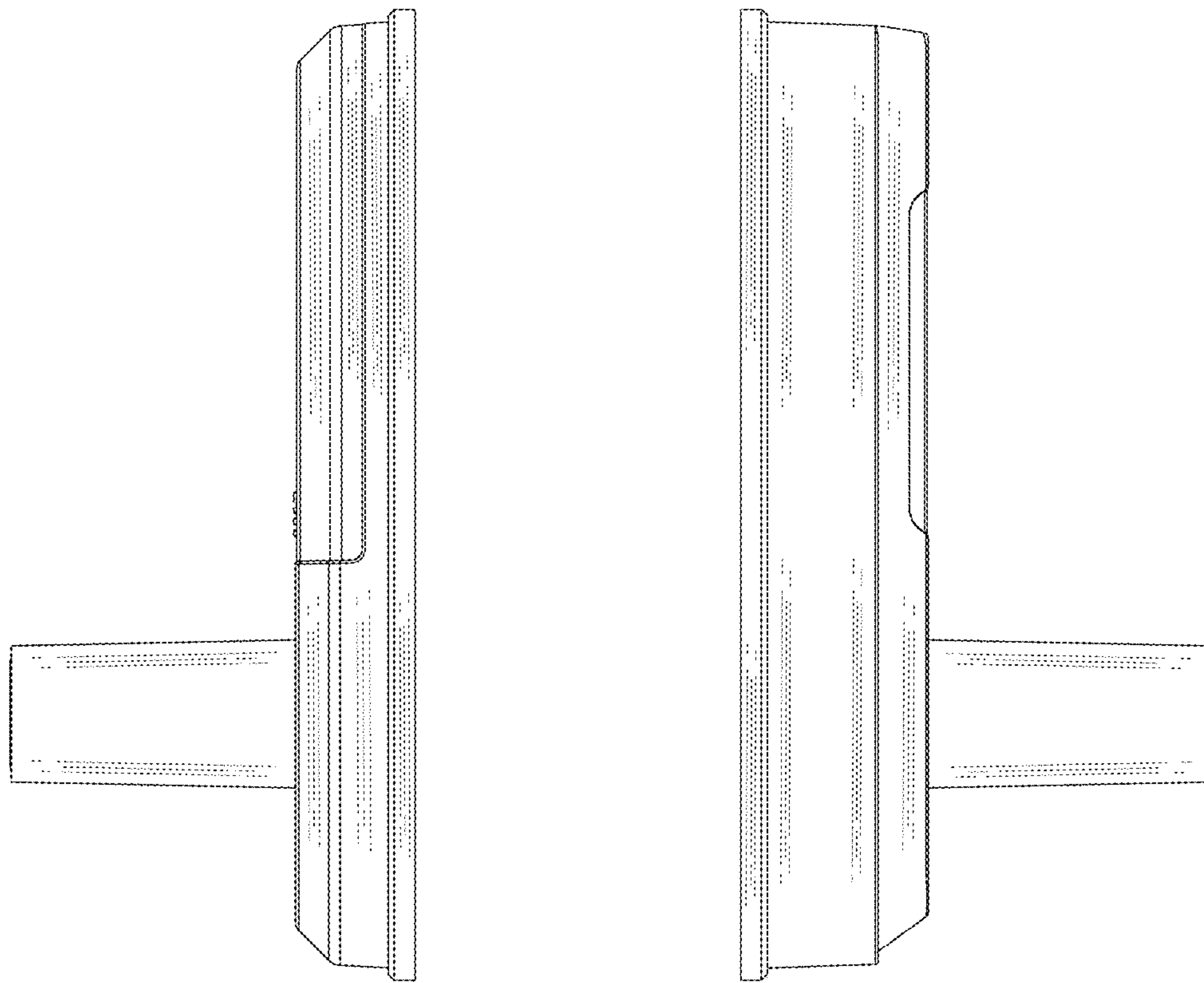


FIG. 5

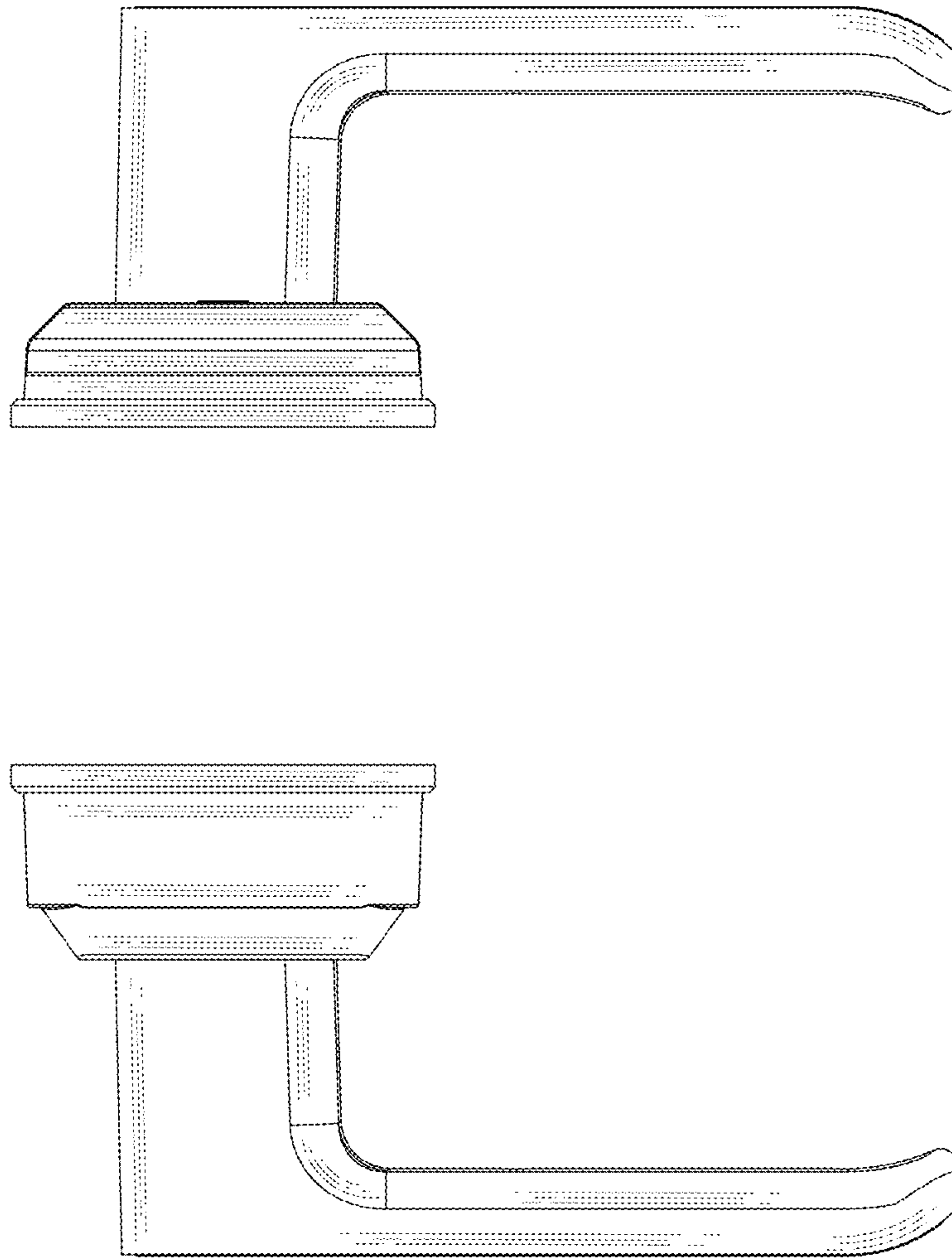


FIG. 6

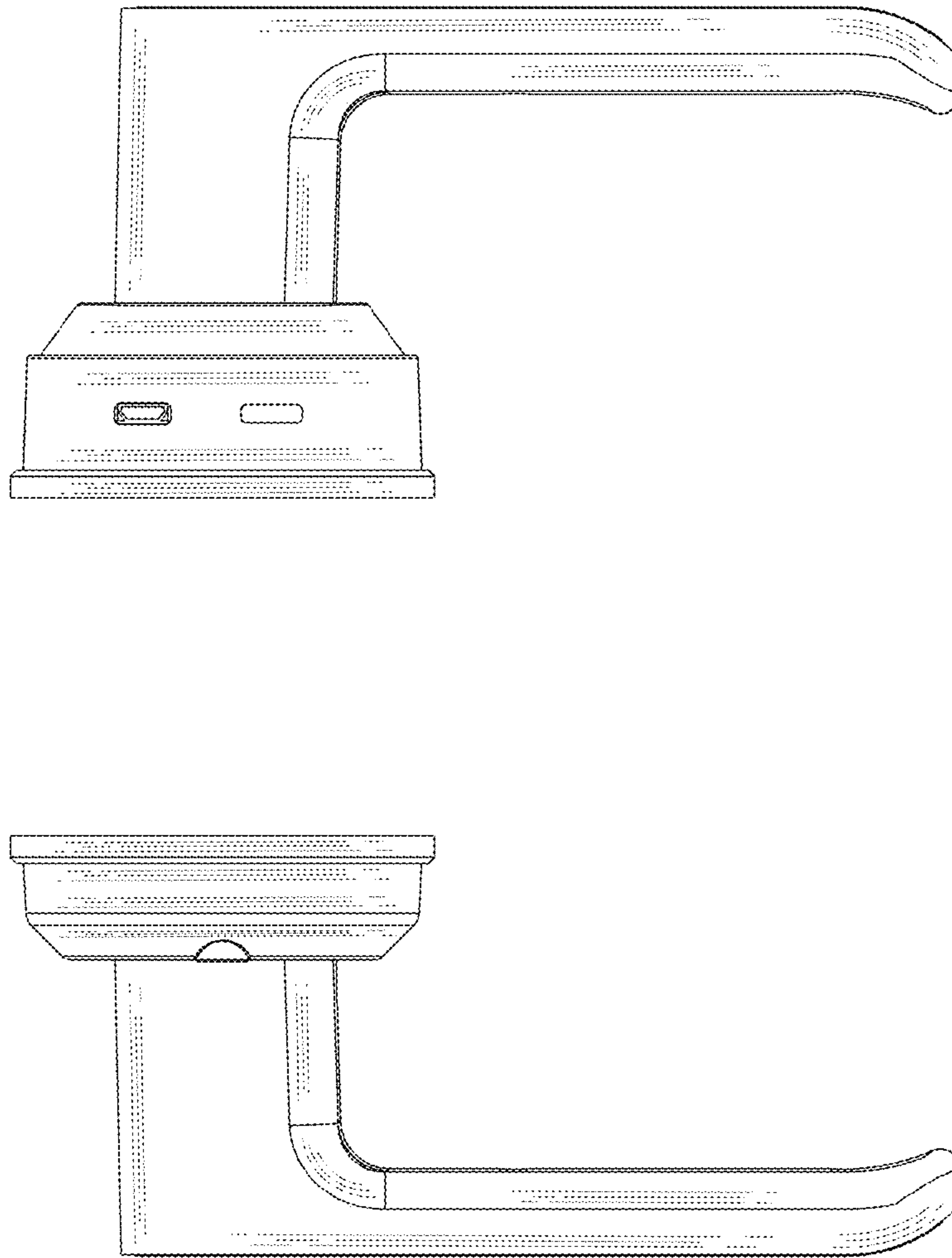


FIG. 7

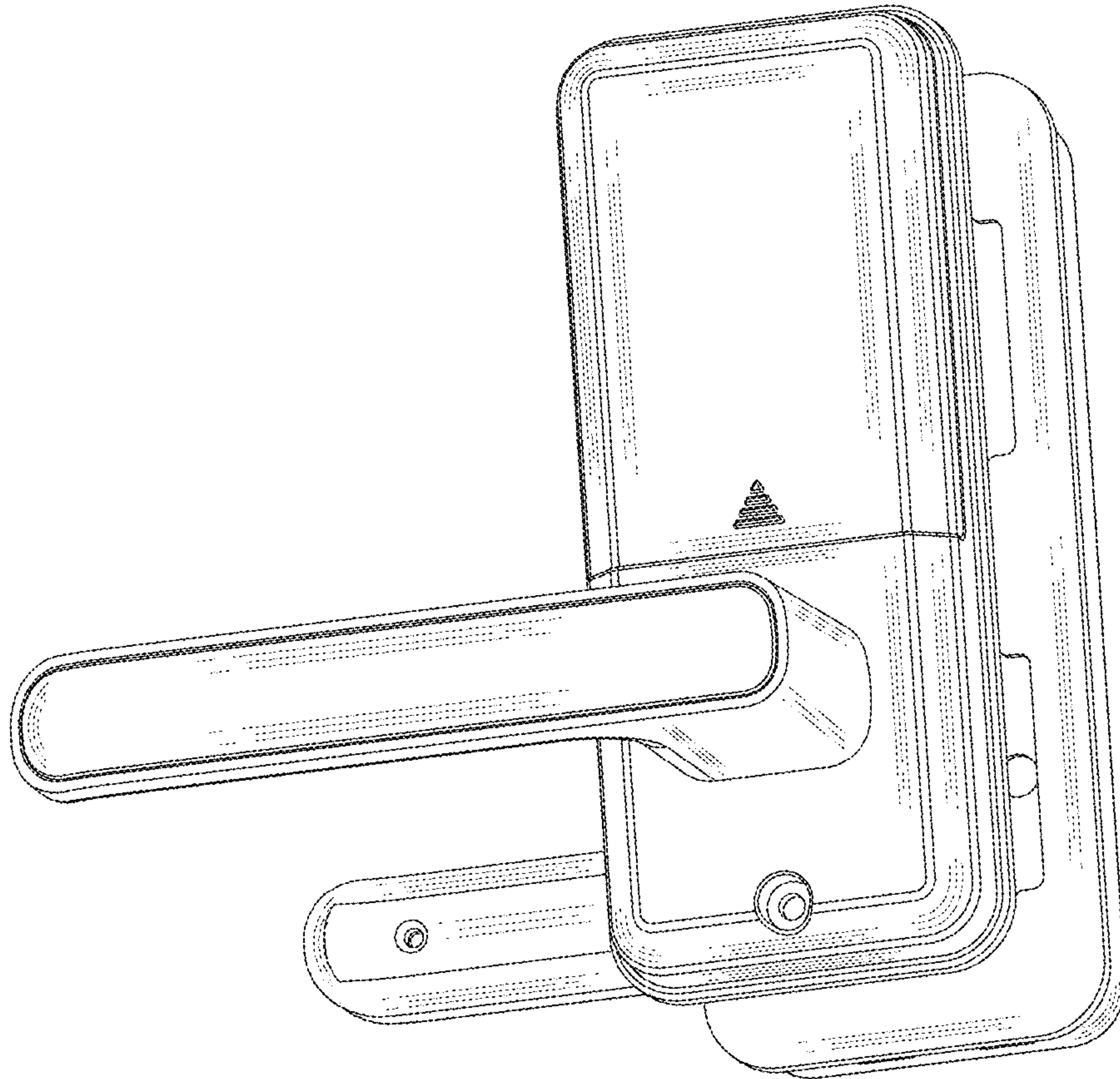


FIG. 8