



US00D981819S

(12) **United States Design Patent**
Stoffel et al.

(10) **Patent No.:** **US D981,819 S**
(45) **Date of Patent:** **** Mar. 28, 2023**

(54) **VEHICLE WITH A DOOR OPENING LEVER**

(56)

References Cited

(71) Applicant: **Zoox, Inc.**, Foster City, CA (US)

U.S. PATENT DOCUMENTS

(72) Inventors: **Christopher John Stoffel**, San Carlos, CA (US); **Nahuel Elias Battaglia**, Stanford, CA (US); **Christl Cleblad-Earl**, Oxfordshire (GB); **Herman Francisco Delos Santos**, Redwood City, CA (US); **Timothy David Kentley-Klay**, Stanford, CA (US); **Michael Moshe Kohen**, Palo Alto, CA (US); **Alexander Kraus**, San Mateo, CA (US); **Felix Jacob Lorsignol**, San Francisco, CA (US); **Richard Luke Osellame**, Redwood City, CA (US)

2,840,407 A * 6/1958 Sellon, Jr. E05C 1/145
292/DIG. 31
2,987,908 A * 6/1961 Pelcin E05C 1/145
292/DIG. 31

(Continued)

OTHER PUBLICATIONS

Bloomberg Quicktake, "Zoox \$800M Robo Taxi Could beat Tesla and Uber", Jul. 17, 2018, youtube.com, retrieved Jul. 1, 2022, <https://www.youtube.com/watch?v=OjDLwnTyybo> (Year: 2018), 4 pages.

(Continued)

Primary Examiner — Lauren R Calve

(73) Assignee: **Zoox, Inc.**, Foster City, CA (US)

(74) *Attorney, Agent, or Firm* — Lee & Hayes, P.C.

(**) Term: **15 Years**

(57)

CLAIM

(21) Appl. No.: **29/756,881**

The ornamental design for a vehicle with a door opening lever, as shown and described.

(22) Filed: **Oct. 30, 2020**

DESCRIPTION

(51) **LOC (14) Cl.** **08-06**

(52) **U.S. Cl.**

USPC **D8/313**; D8/302

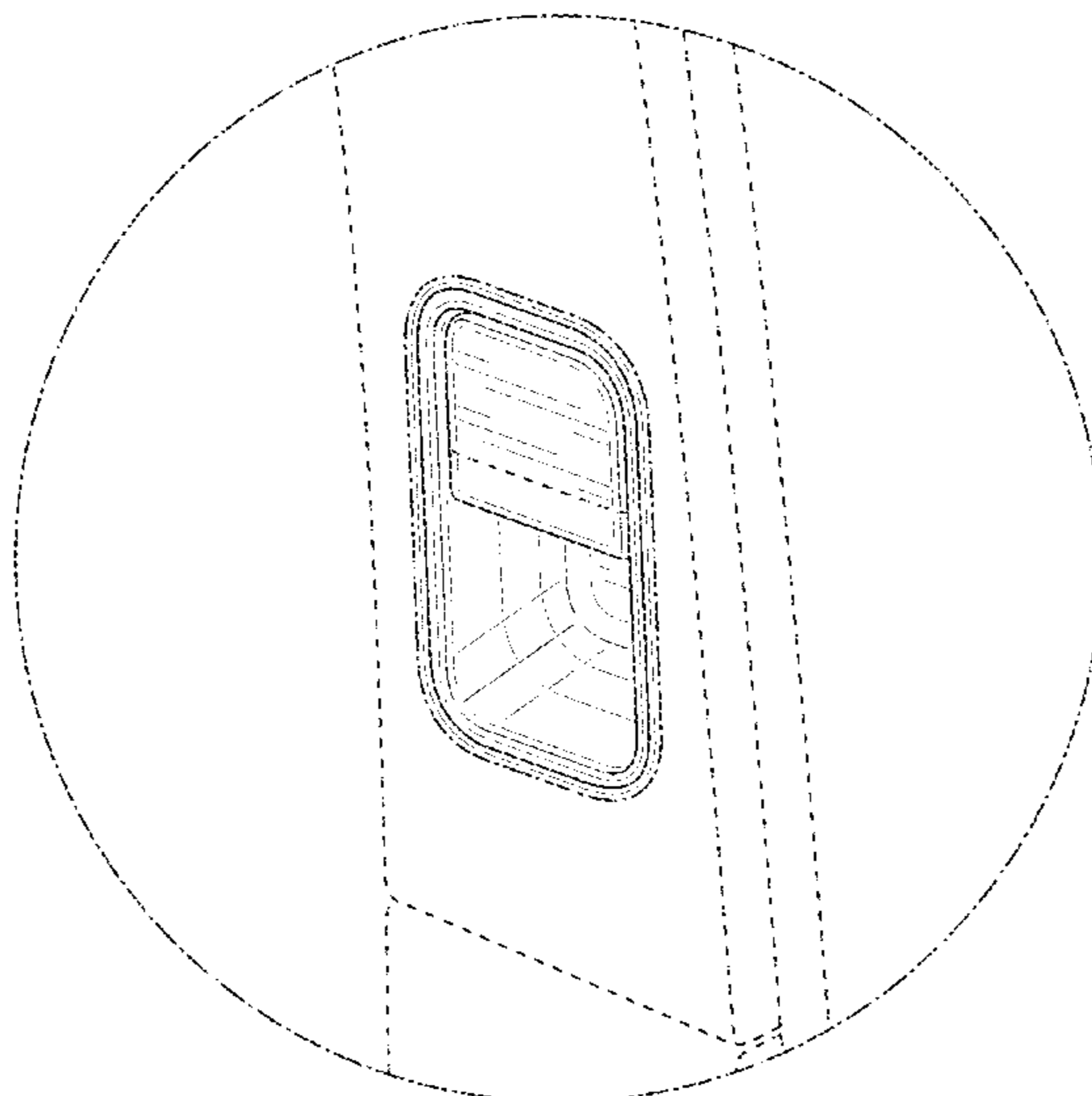
(58) **Field of Classification Search**

USPC D8/300, 301, 302, 306, 313, 331;
D23/254

CPC ... Y10T 292/57; Y10T 16/44; Y10T 70/5155;
Y10T 70/5832; Y10T 292/1047; Y10T
16/458; Y10T 70/5757; Y10T 16/476;
Y10T 70/8541; Y10T 70/5765; Y10T
74/20732; Y10T 16/473; Y10T 292/1089;
Y10T 292/865; Y10T 70/7305; Y10T
292/097; Y10T 292/0938; Y10T 16/509;
Y10T 292/0834; Y10T 292/1014; Y10T
292/0959; Y10T 292/308; Y10T 70/489;
Y10T 74/20876; Y10T 70/80; Y10T

(Continued)

1 Claim, 6 Drawing Sheets



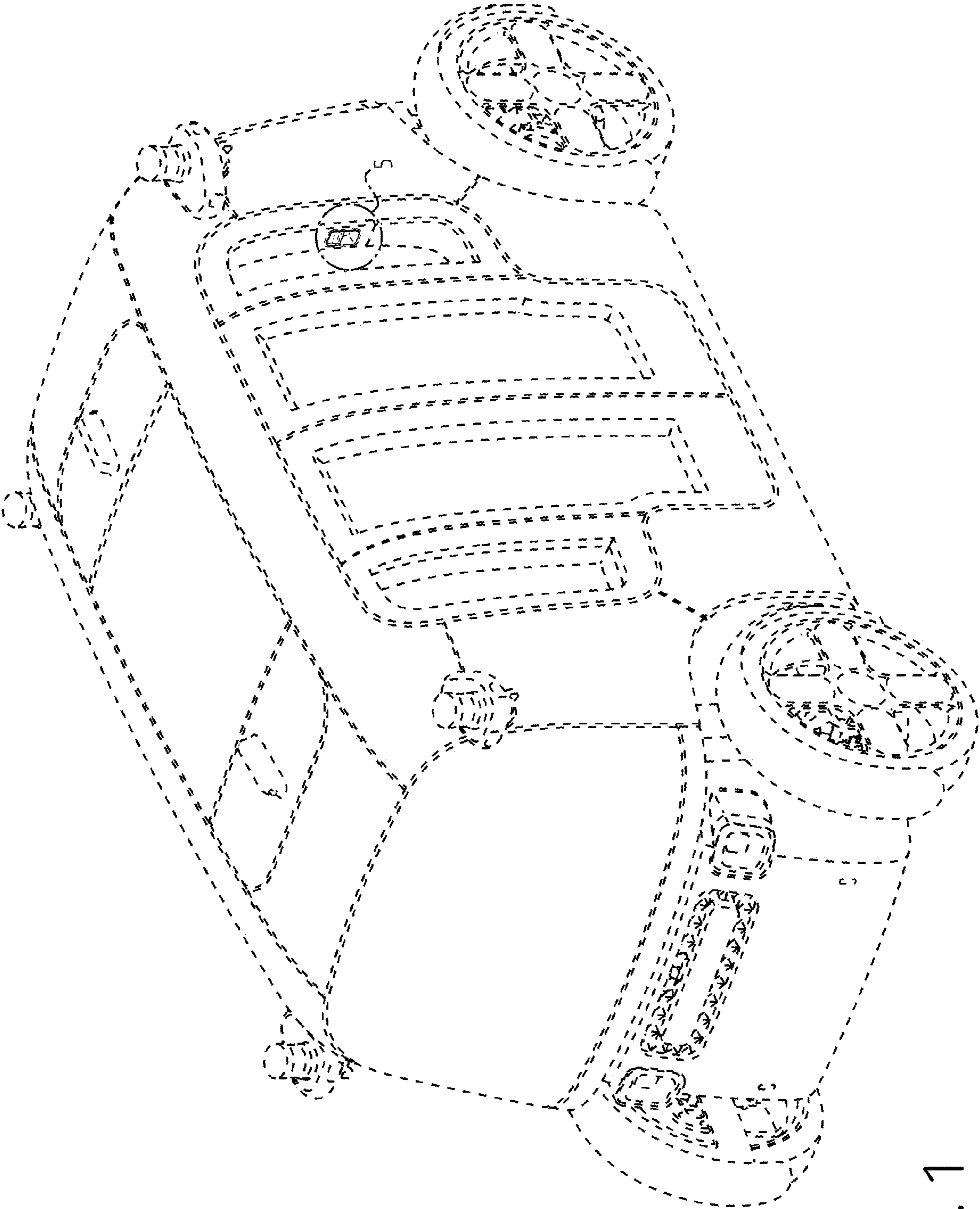


FIG. 1

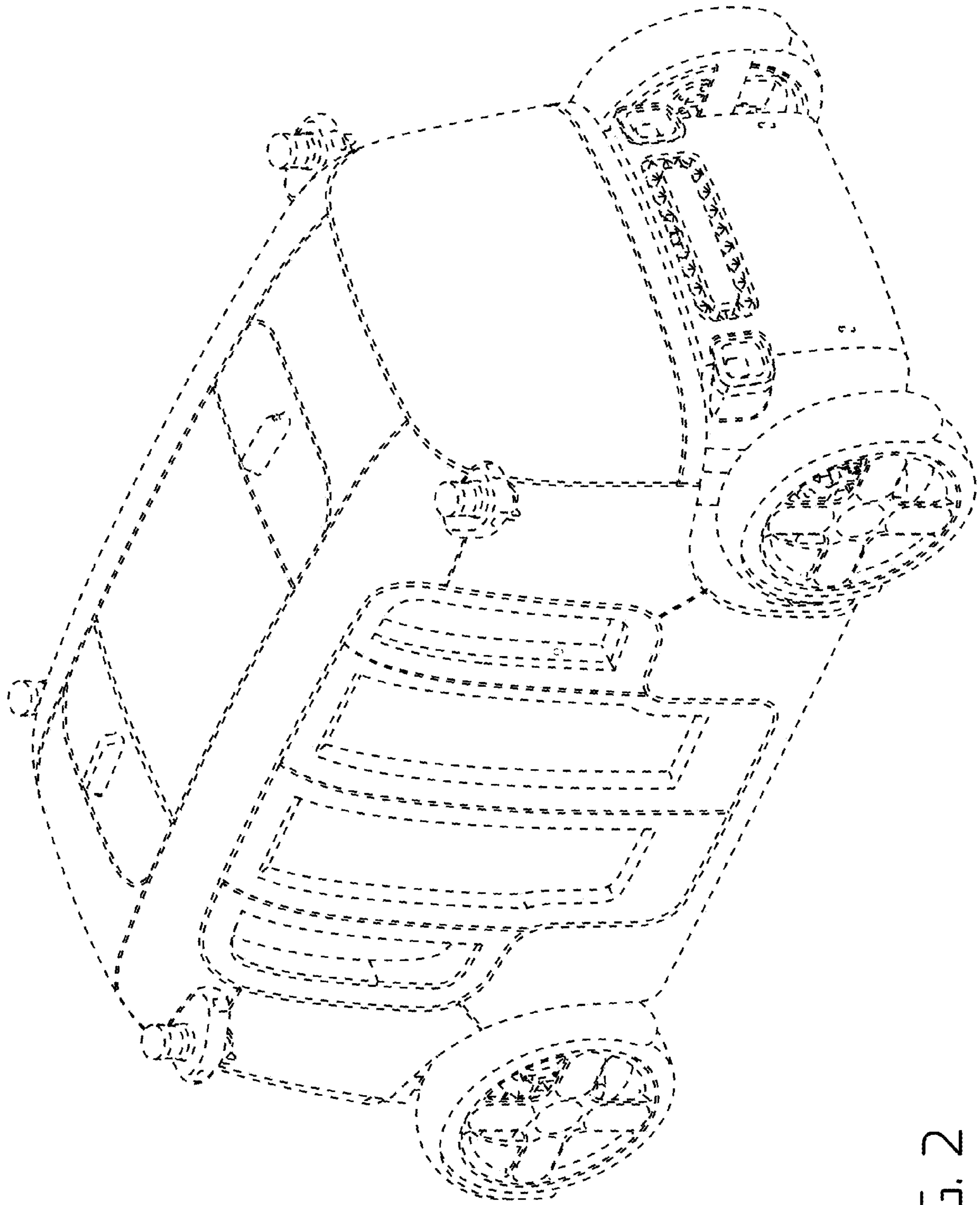


FIG. 2

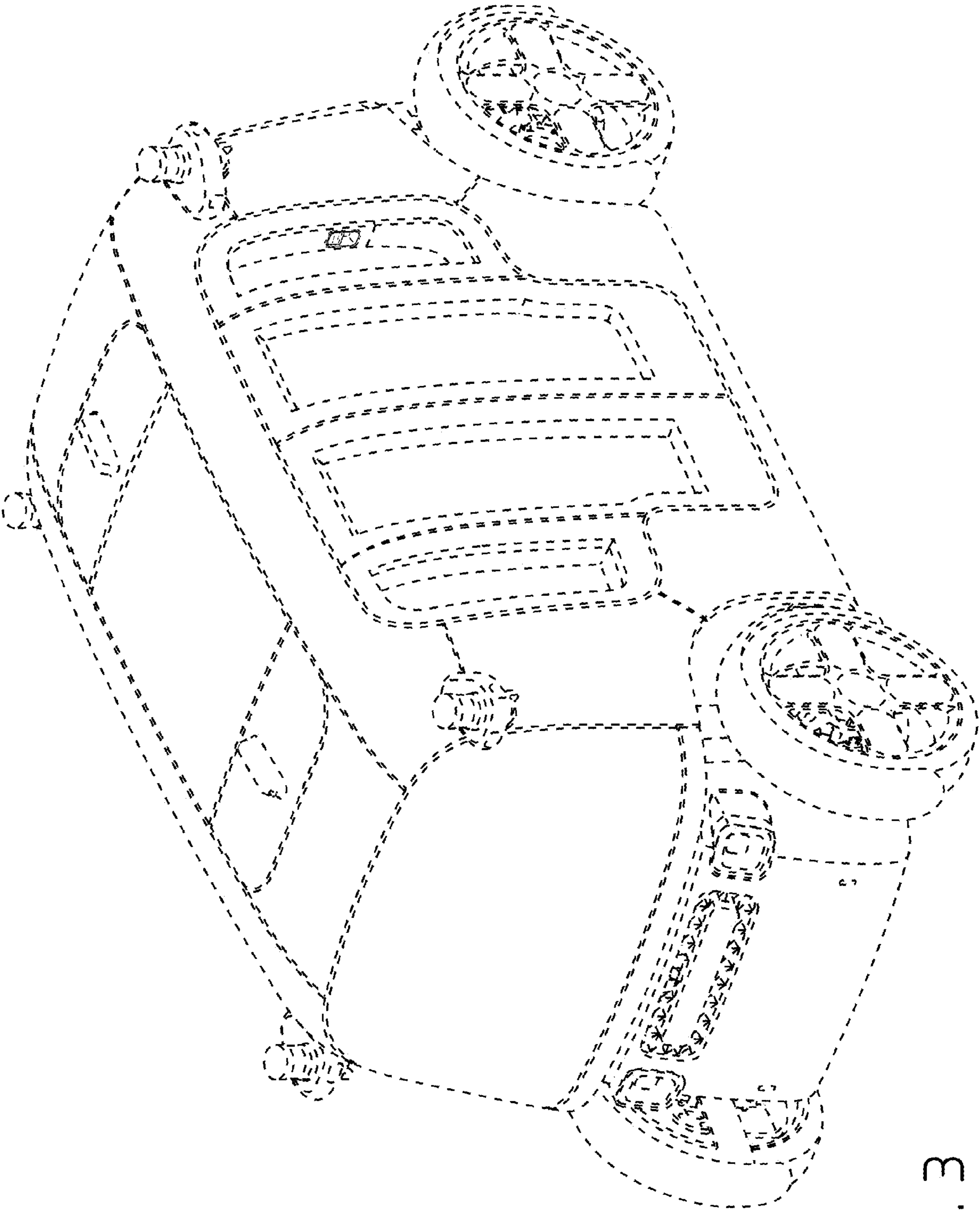


FIG. 3

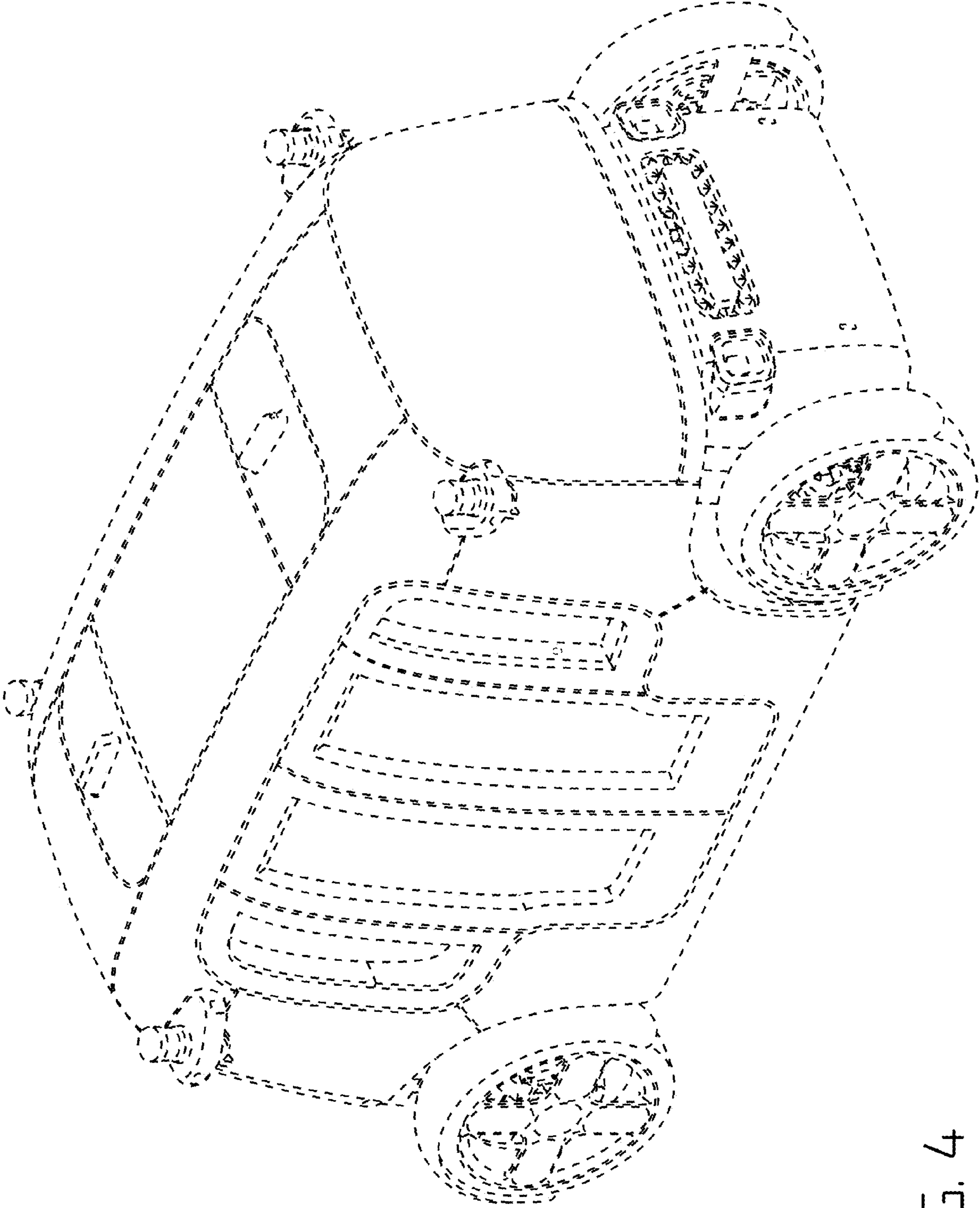


FIG. 4

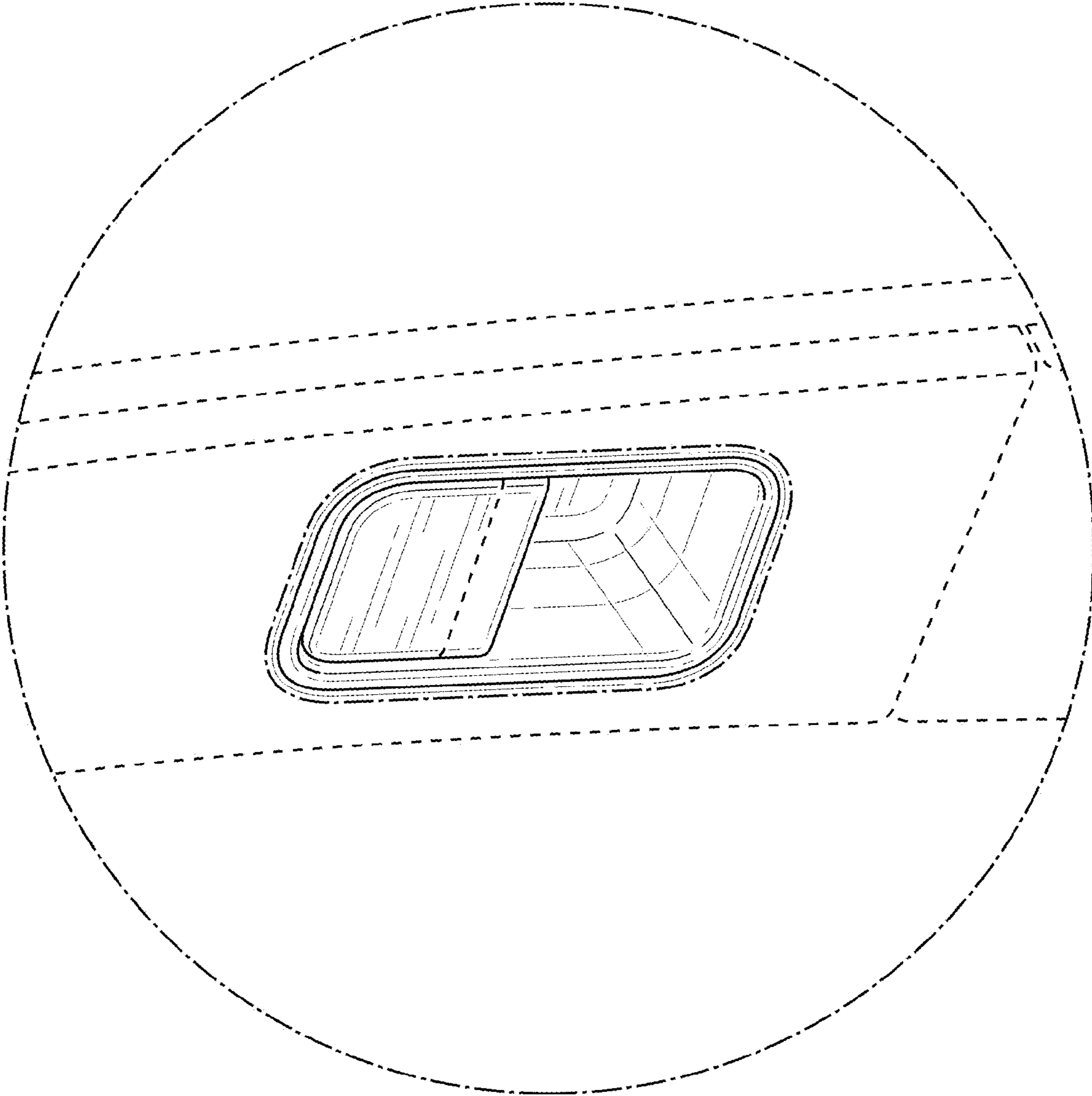


FIG. 5

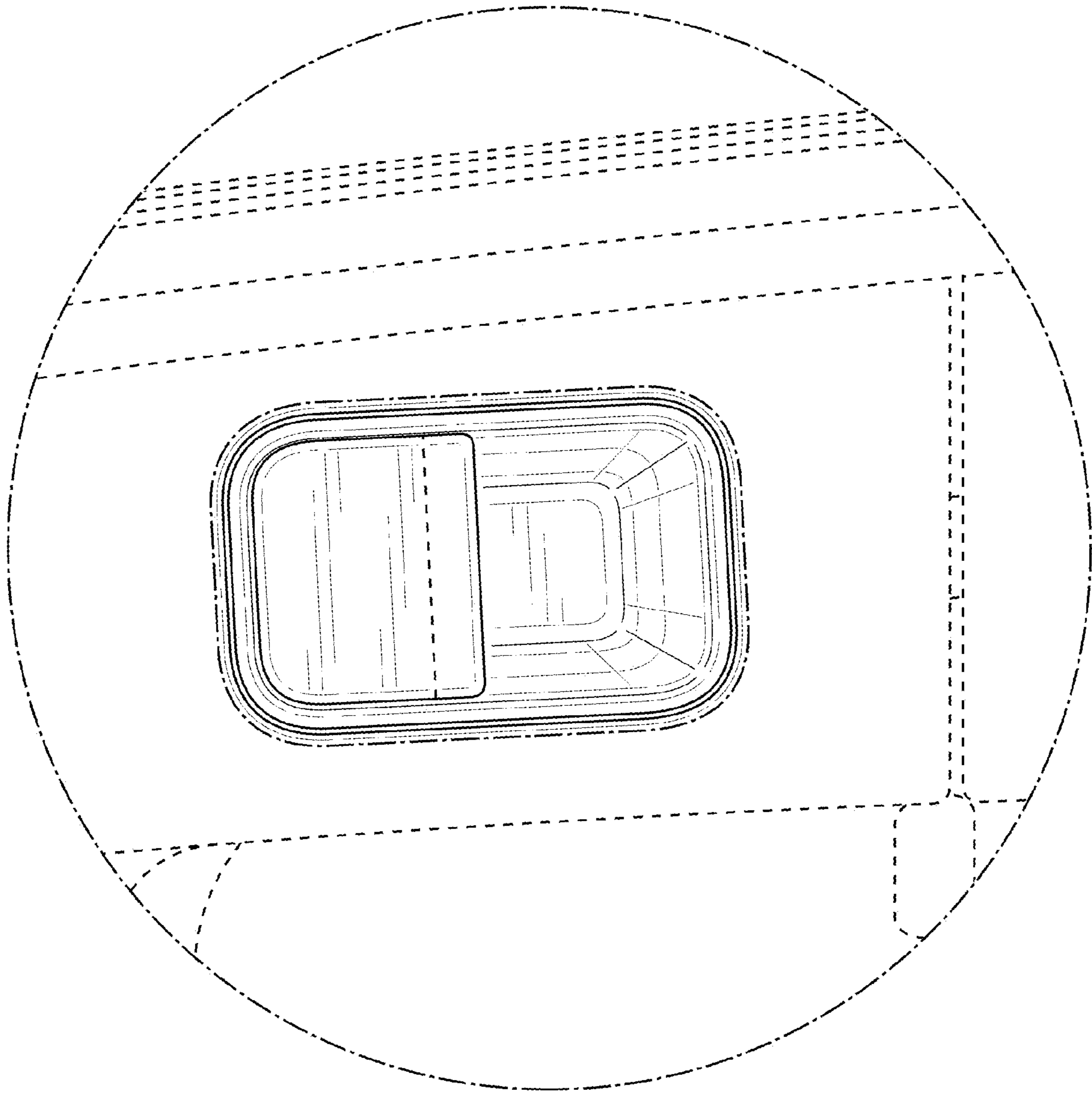


FIG. 6