



US00D981818S

(12) **United States Design Patent** (10) **Patent No.:** **US D981,818 S**  
**Muta** (45) **Date of Patent:** **\*\* Mar. 28, 2023**

(54) **GRIP FOR AN OPERATING LEVER**  
(71) Applicant: **KOBELCO CONSTRUCTION MACHINERY CO., LTD.**, Hiroshima (JP)  
(72) Inventor: **Satoshi Muta**, Akashi (JP)  
(73) Assignee: **KOBELCO CONSTRUCTION MACHINERY CO., LTD.**, Hiroshima (JP)

D868,669 S \* 12/2019 Kruk ..... D14/416  
D878,258 S \* 3/2020 Gibson ..... D12/179  
2009/0090208 A1\* 4/2009 Diccion ..... G05G 9/04788  
74/471 XY  
2009/0201250 A1\* 8/2009 Vazquez ..... G05G 9/047  
345/161  
2013/0074631 A1\* 3/2013 Hanlon ..... B64C 13/48  
74/471 XY  
2013/0306395 A1\* 11/2013 Frazier ..... G05G 5/03  
180/333  
2016/0085257 A1\* 3/2016 Moehling ..... G05G 1/06  
74/543

(\*\*) Term: **15 Years**  
(21) Appl. No.: **29/786,129**  
(22) Filed: **May 28, 2021**

\* cited by examiner  
*Primary Examiner* — Lauren R Calve  
(74) *Attorney, Agent, or Firm* — Birch, Stewart, Kolasch & Birch, LLP

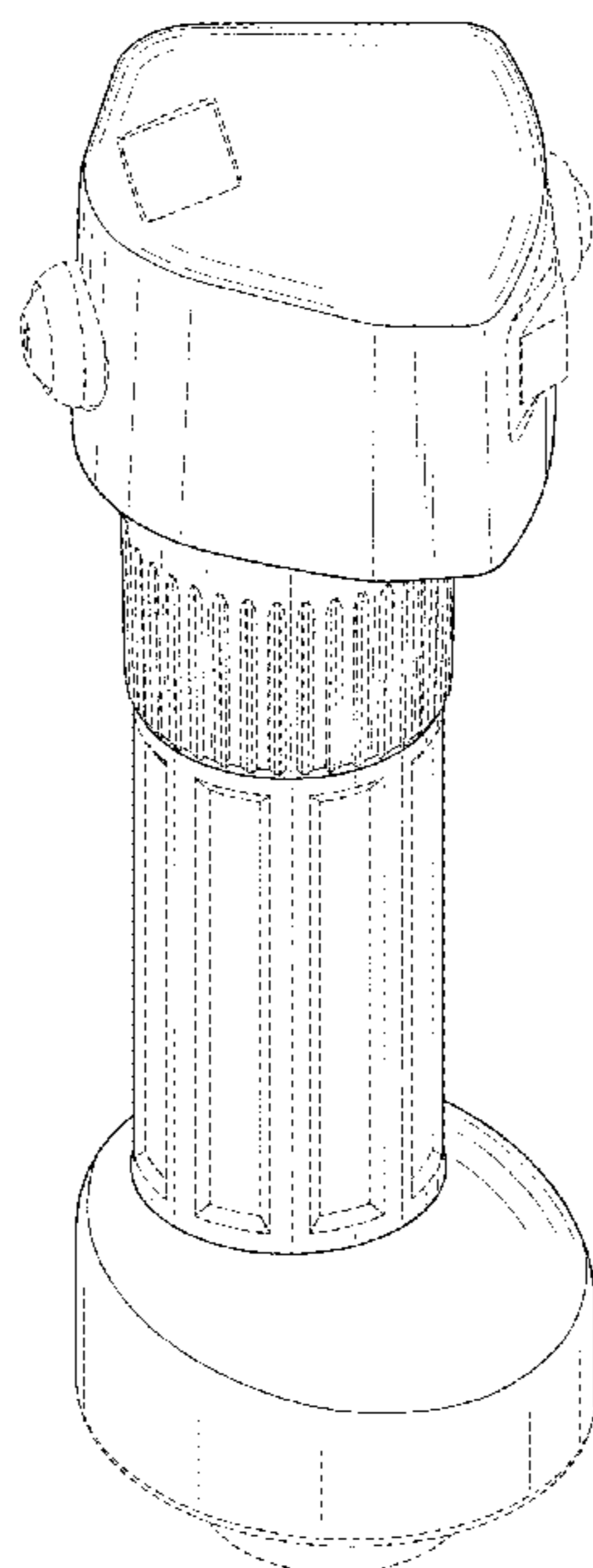
(30) **Foreign Application Priority Data**  
Dec. 1, 2020 (JP) ..... 2020-025874 D  
(51) **LOC (14) Cl.** ..... **08-06**  
(52) **U.S. Cl.**  
USPC ..... **D8/303**; D12/179  
(58) **Field of Classification Search**  
USPC ..... D8/300–303, 307, 310; D12/179  
CPC ..... Y10T 74/20828; Y10T 74/20287; Y10T  
16/476; Y10T 74/20201; Y10T 74/20396  
See application file for complete search history.

(57) **CLAIM**  
The ornamental design for a grip for an operating lever, as shown and described.

(56) **References Cited**  
U.S. PATENT DOCUMENTS  
D331,559 S \* 12/1992 Kelley ..... D12/179  
D362,872 S \* 10/1995 Chan ..... D14/412  
D589,464 S \* 3/2009 Ozoe ..... D13/168  
D678,283 S \* 3/2013 Olson ..... D14/412  
D686,622 S \* 7/2013 Rey ..... D15/28  
D704,189 S \* 5/2014 Rey ..... D15/28  
D856,113 S \* 8/2019 Lindo ..... D8/303

**DESCRIPTION**  
FIG. 1 is a first perspective view of a grip for an operating lever showing my new design;  
FIG. 2 is a second perspective view thereof;  
FIG. 3 is a front view thereof;  
FIG. 4 is a rear view thereof;  
FIG. 5 is a left side view thereof;  
FIG. 6 is a right side view thereof;  
FIG. 7 is a top view thereof; and,  
FIG. 8 is a bottom view thereof.  
The broken lines represent portions of the grip for an operating lever that form no part of the claimed design.  
The dot-dash lines represent an unclaimed boundary between the claimed design and unclaimed portions of the grip for an operating lever.

**1 Claim, 7 Drawing Sheets**



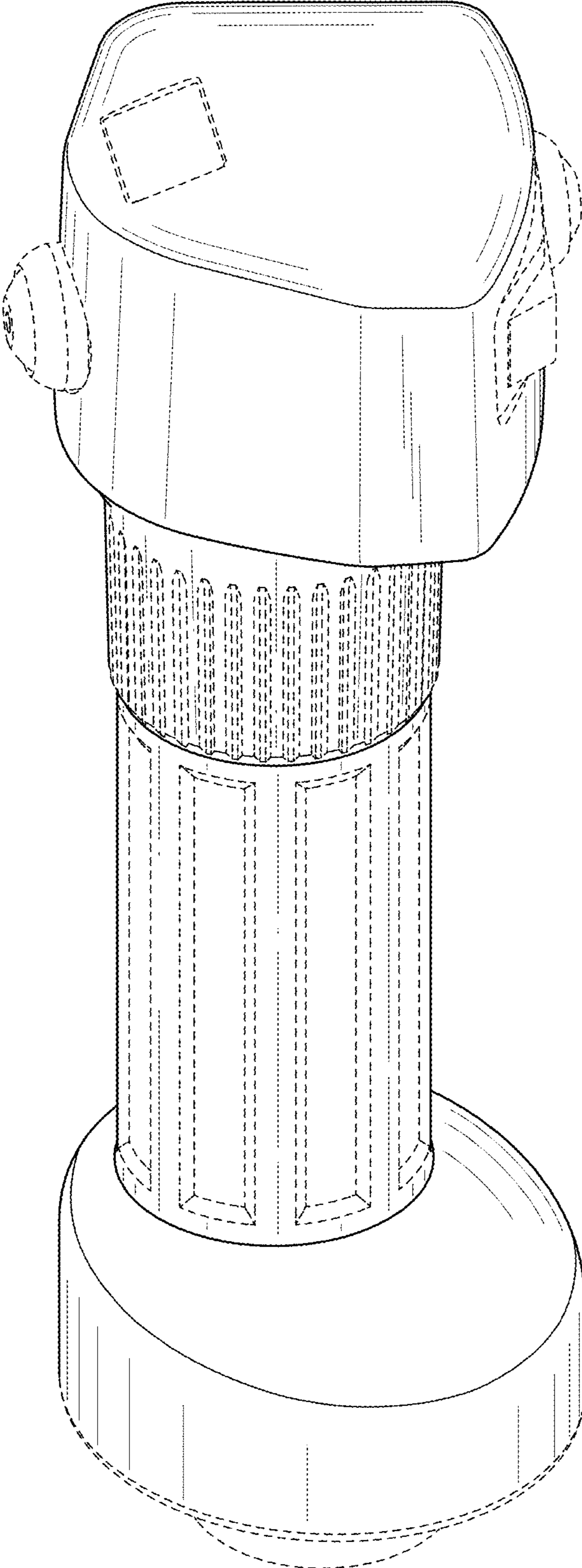


Fig. 1

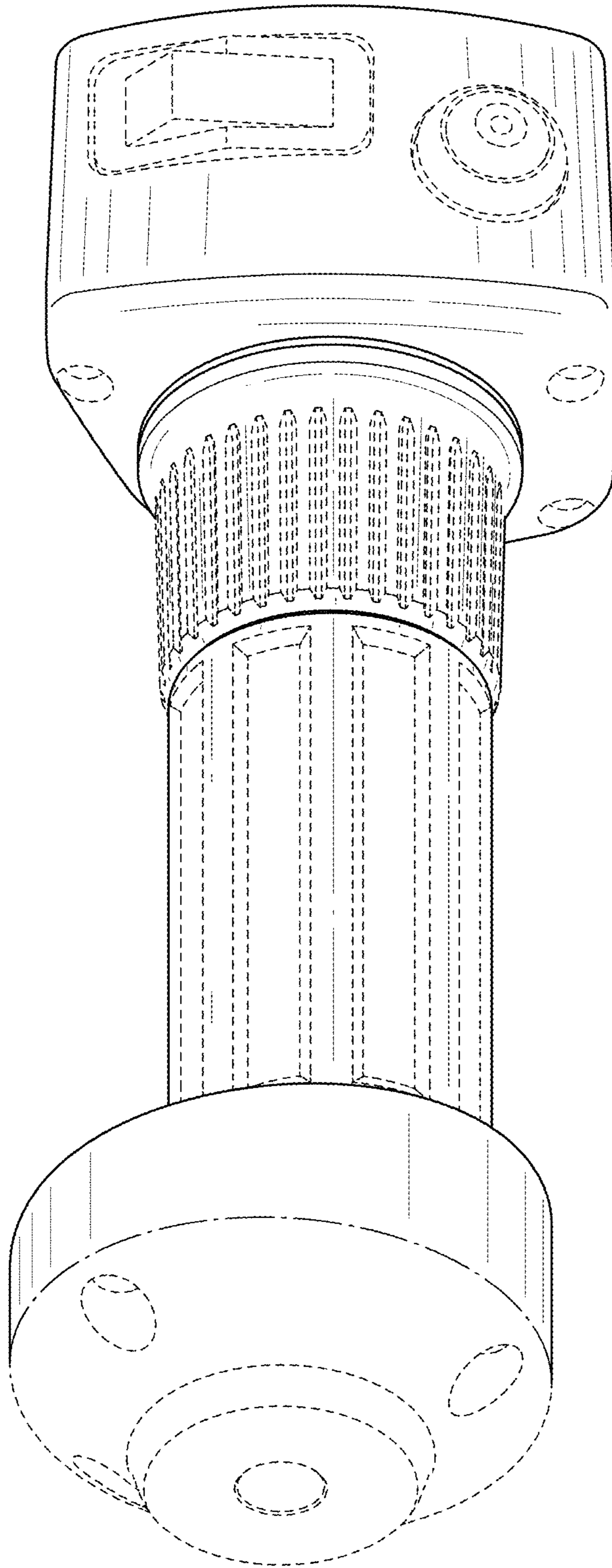


Fig.2

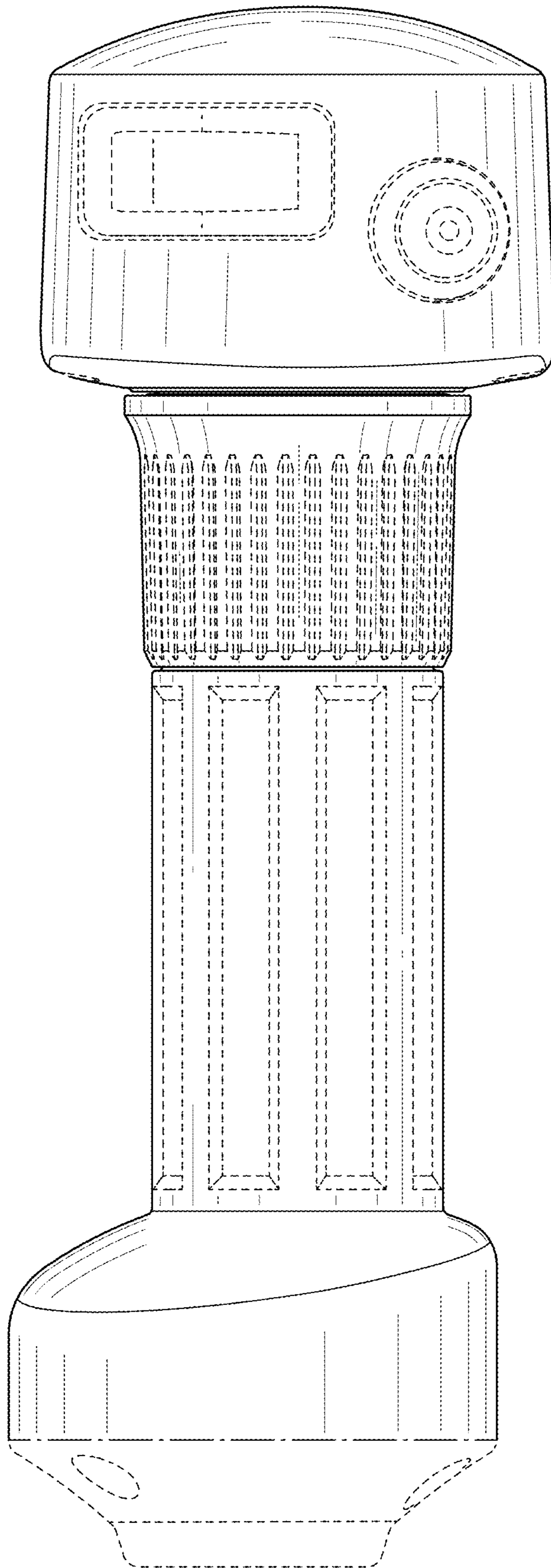


Fig.3

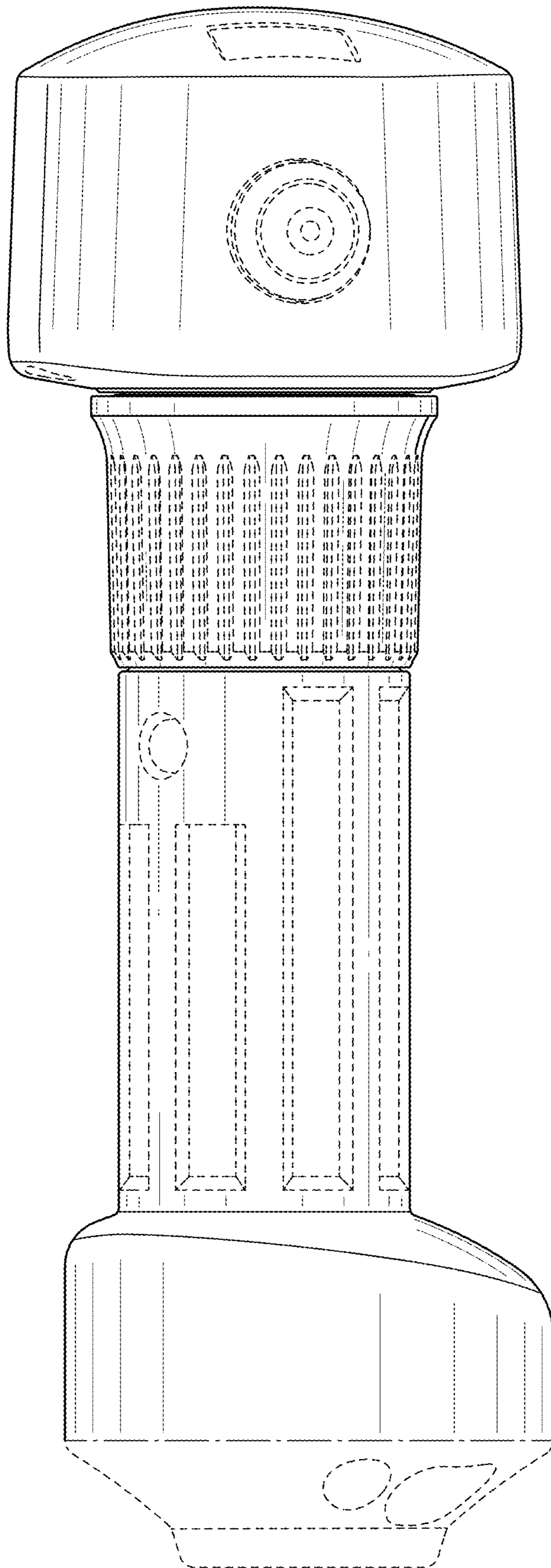


Fig.4

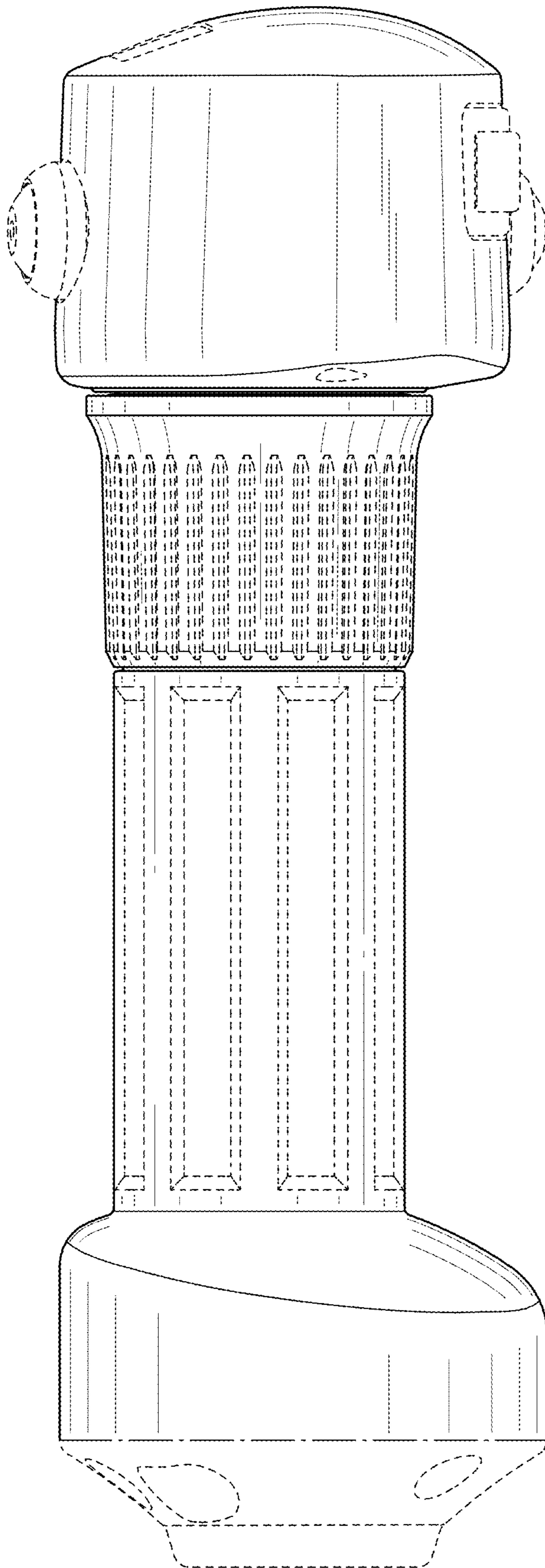


Fig.5

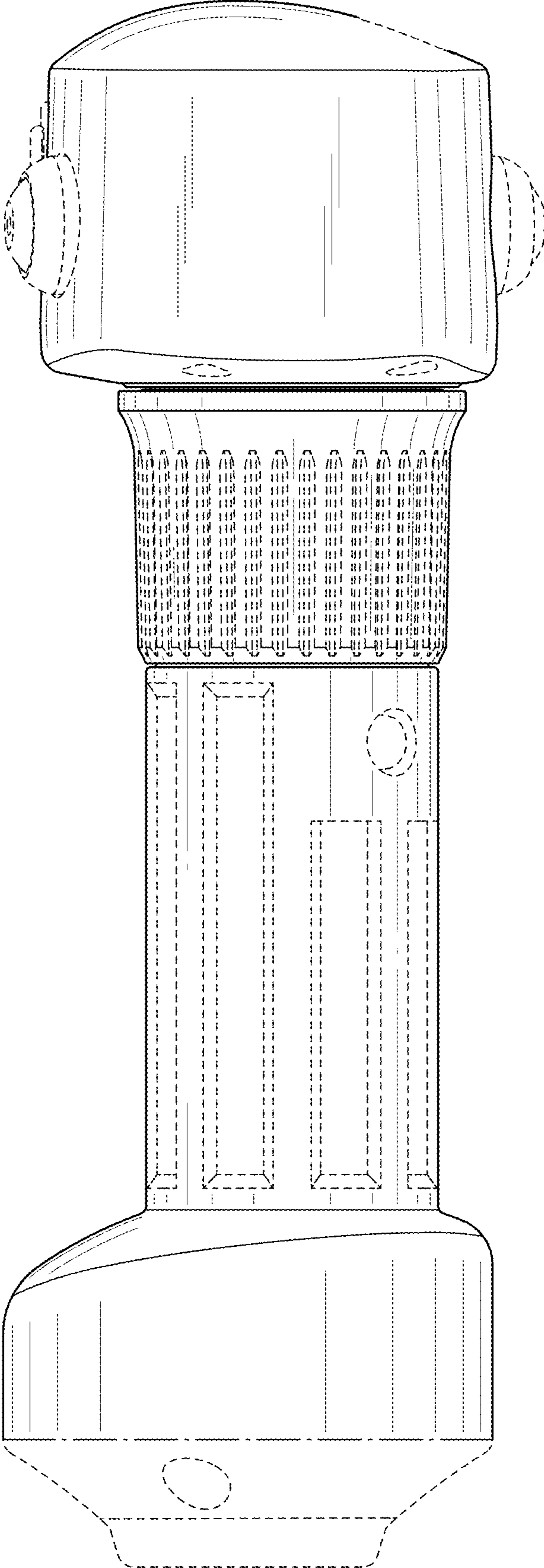


Fig.6

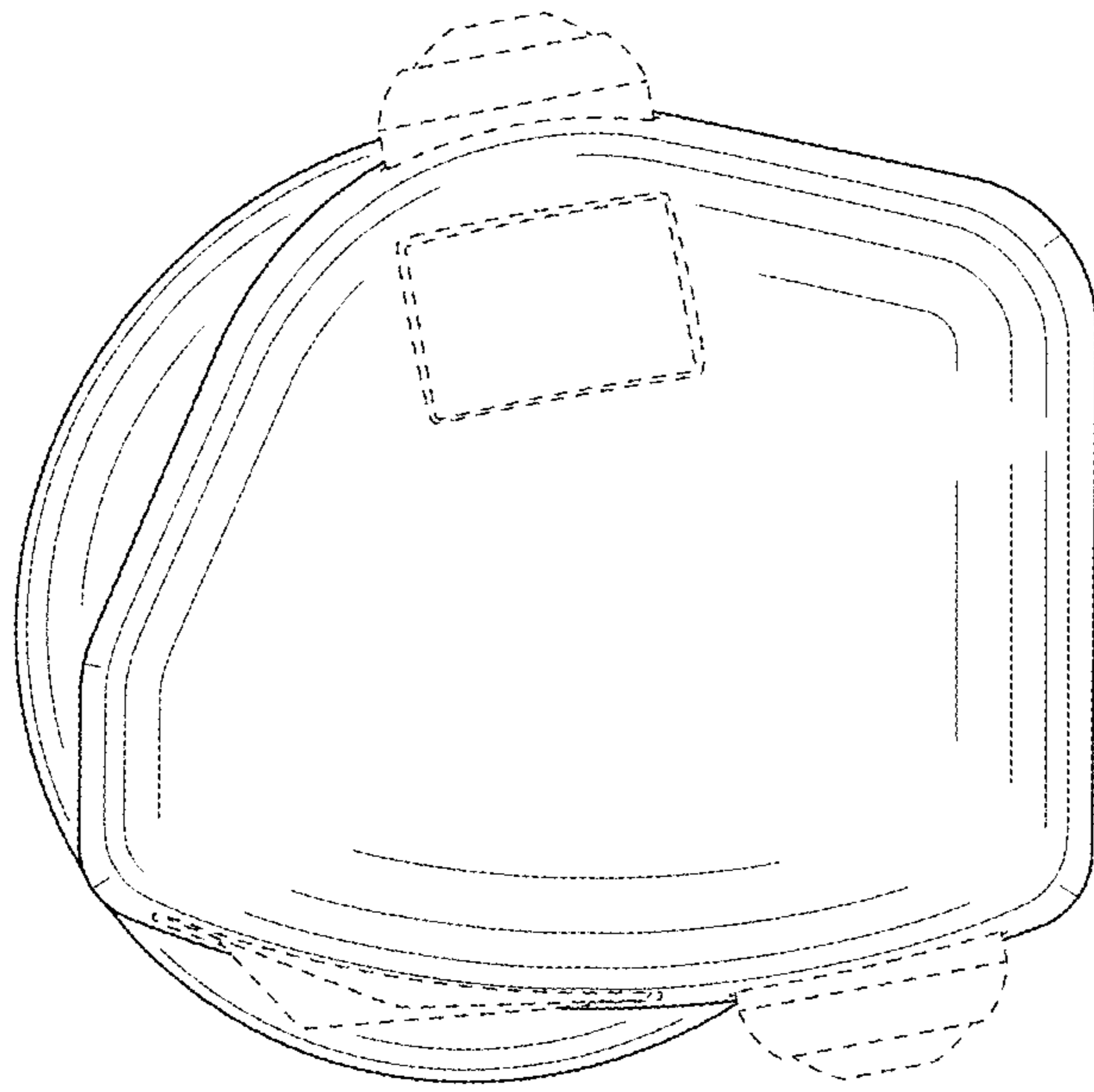


Fig. 7

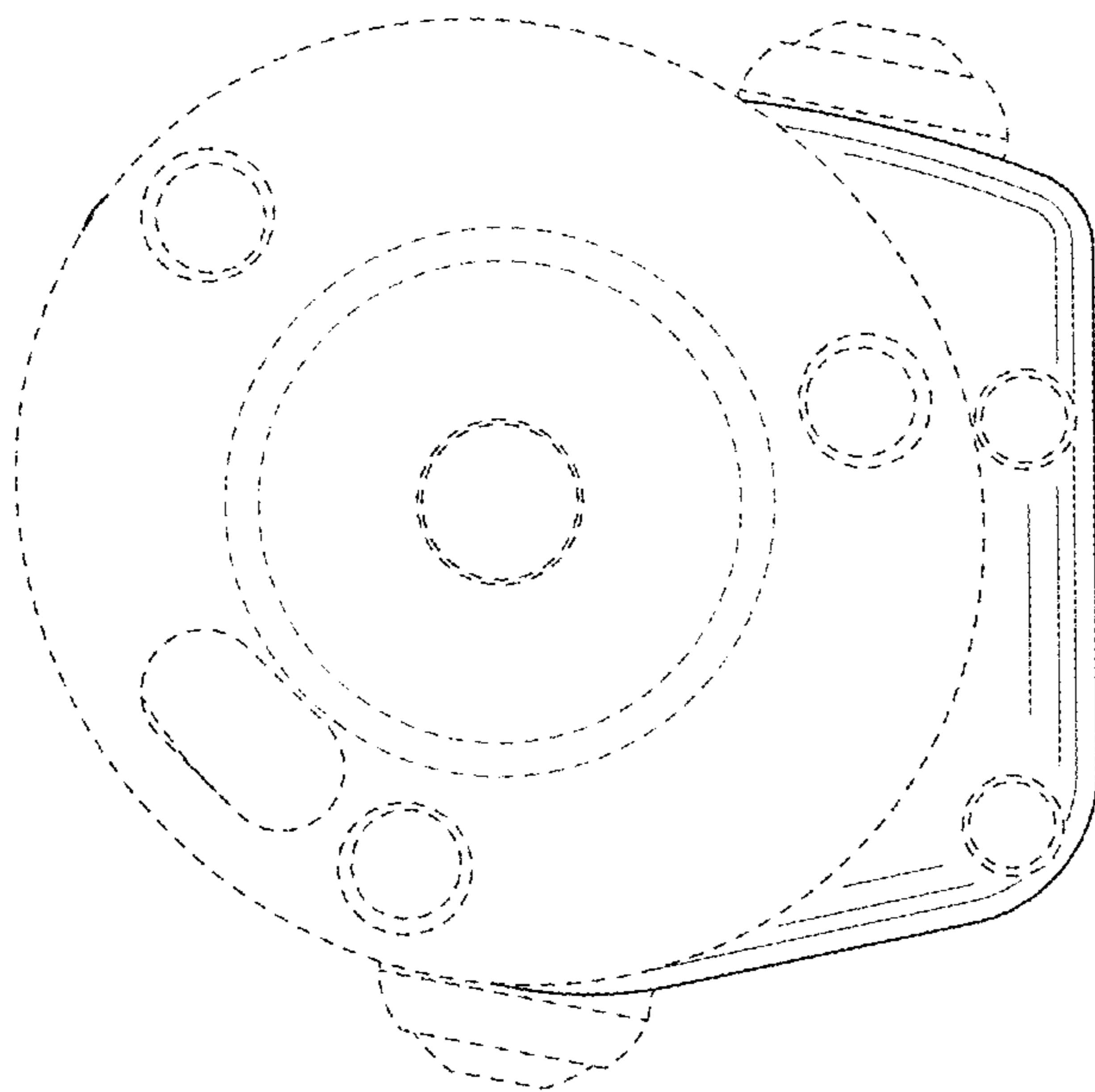


Fig. 8