



US00D981817S

(12) **United States Design Patent** (10) **Patent No.:** **US D981,817 S**
Garland (45) **Date of Patent:** **** Mar. 28, 2023**

(54) **PAIR OF PULLS**

- (71) Applicant: **DELTA FAUCET COMPANY**,
Indianapolis, IN (US)
- (72) Inventor: **Celine Kwok Garland**, Zionsville, IN
(US)
- (73) Assignee: **DELTA FAUCET COMPANY**,
Indianapolis, IN (US)
- (**) Term: **15 Years**
- (21) Appl. No.: **29/839,889**
- (22) Filed: **May 24, 2022**

Related U.S. Application Data

- (62) Division of application No. 29/766,006, filed on Jan. 13, 2021, now Pat. No. Des. 956,506.
- (51) **LOC (14) Cl.** **08-06**
- (52) **U.S. Cl.**
USPC **D8/301**; D8/308
- (58) **Field of Classification Search**
USPC D8/300–303, 307, 308, 309, 310, 311;
D23/241, 242, 250, 252, 254
CPC Y10T 16/484; Y10T 74/20834; Y10T
74/2084; Y10T 16/506; Y10T 74/20744;
Y10T 137/87804; Y10T 16/469; Y10T
292/82; Y10T 74/20642
- See application file for complete search history.

(56) **References Cited**

U.S. PATENT DOCUMENTS

D324,477	S	*	3/1992	Fleming	D8/308
D656,382	S	*	3/2012	Omdoll	D8/307
8,201,307	B2	*	6/2012	Romero	E05B 1/04 16/412
D789,490	S	*	6/2017	Fritz	D23/254
D851,732	S	*	6/2019	Schaubach	D23/252
2002/0117868	A1	*	8/2002	Bates	E05B 55/005 292/358
2004/0123427	A1	*	7/2004	Lee	E05B 3/003 16/412
2007/0007778	A1	*	1/2007	Gomes	E05B 1/0053 292/336.3

* cited by examiner

Primary Examiner — Lauren R Calve
(74) *Attorney, Agent, or Firm* — Jeffrey L. Doyle

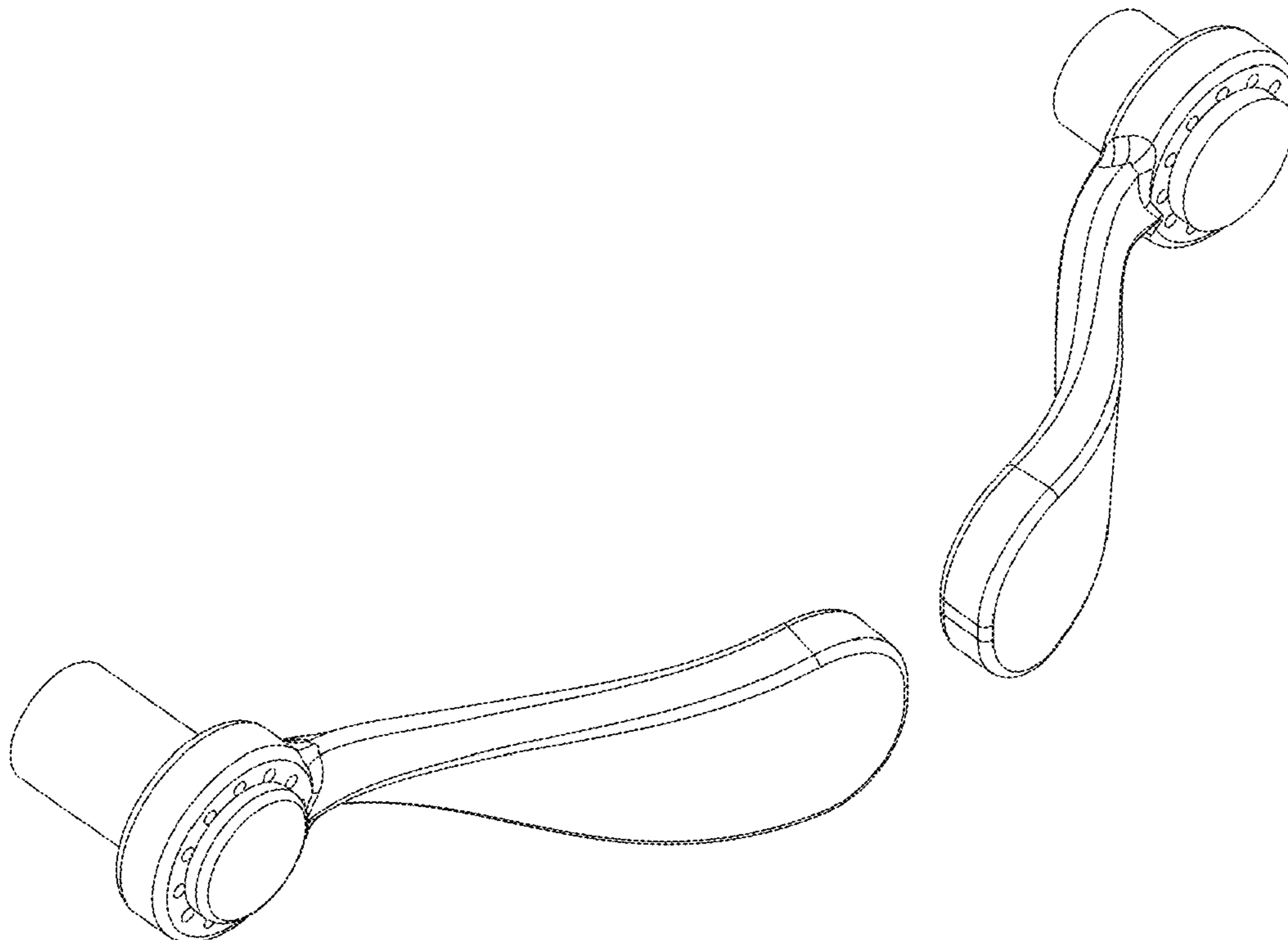
(57) **CLAIM**

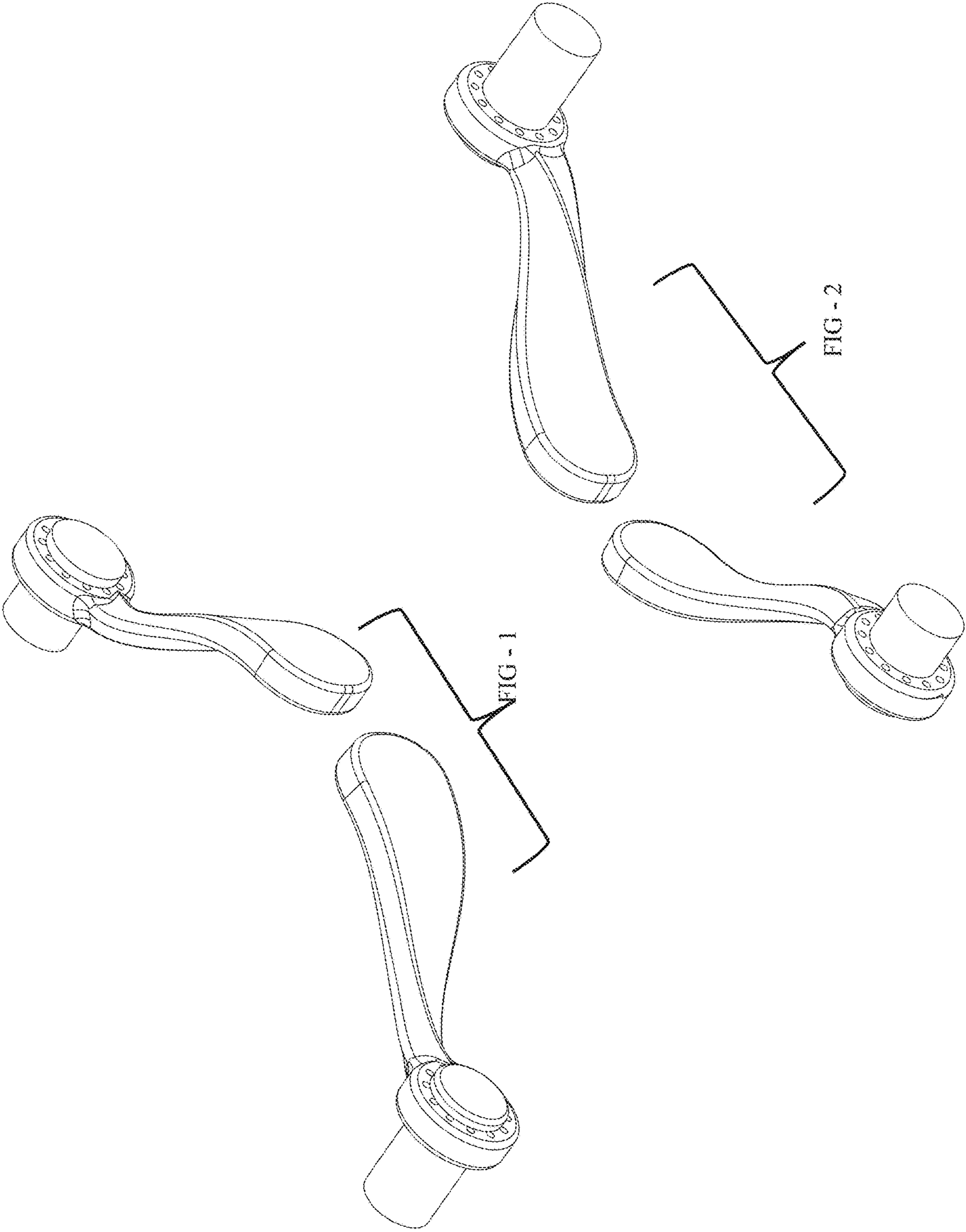
The ornamental design for a pair of pulls, as shown and described.

DESCRIPTION

FIG. 1 is a front perspective view of a pair of pulls showing my new design;
FIG. 2 is a rear perspective view thereof;
FIG. 3 is a front elevational view thereof;
FIG. 4 is a left side view thereof;
FIG. 5 is a rear view thereof;
FIG. 6 is a right side view thereof;
FIG. 7 is a top plan view thereof; and,
FIG. 8 is a bottom view thereof.

1 Claim, 4 Drawing Sheets





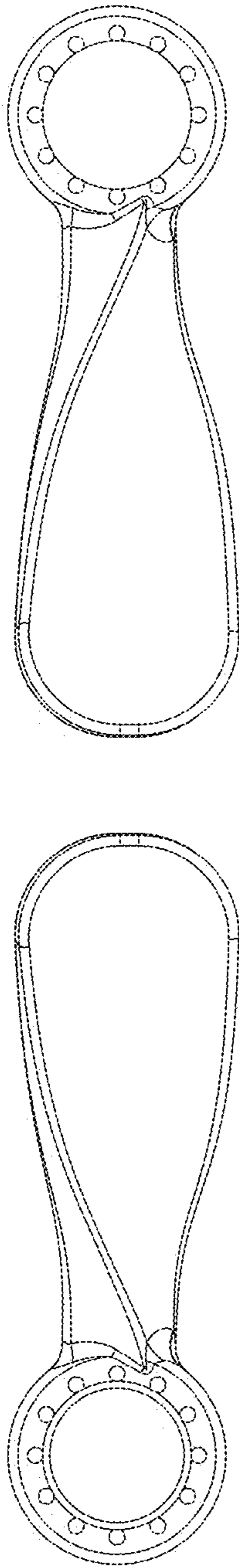


FIG - 3

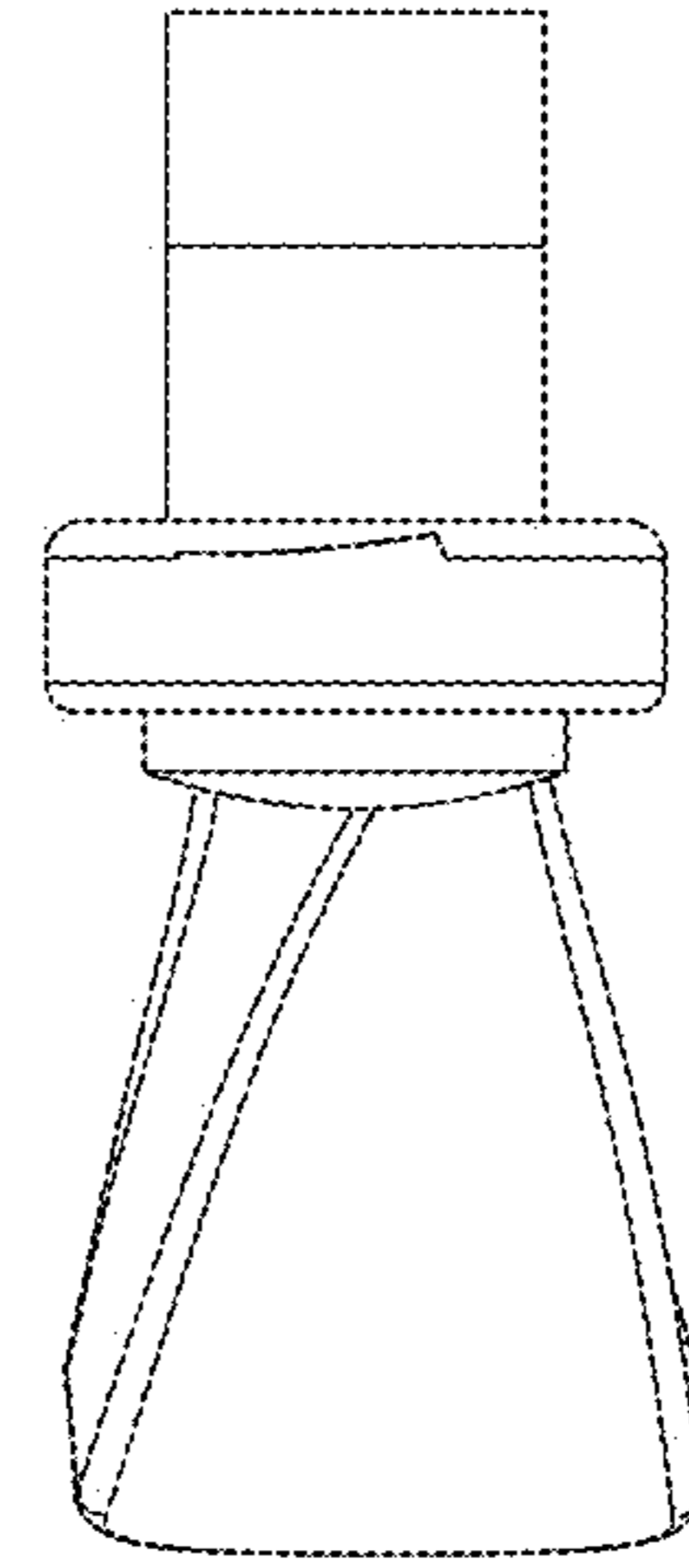


FIG - 4

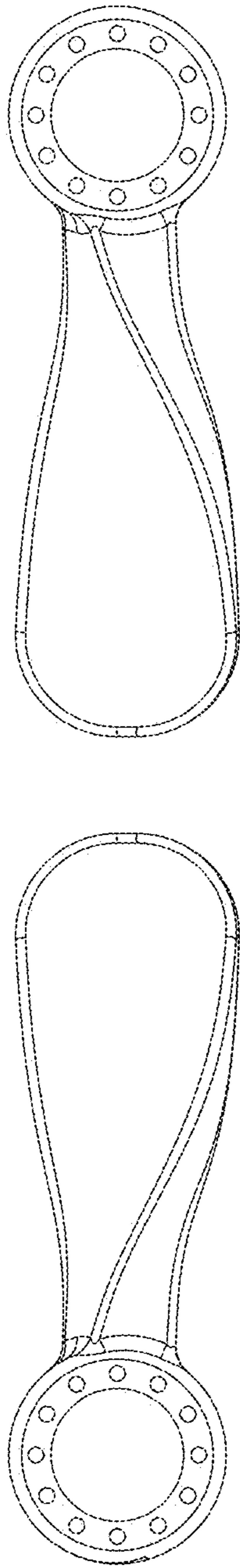


FIG - 5

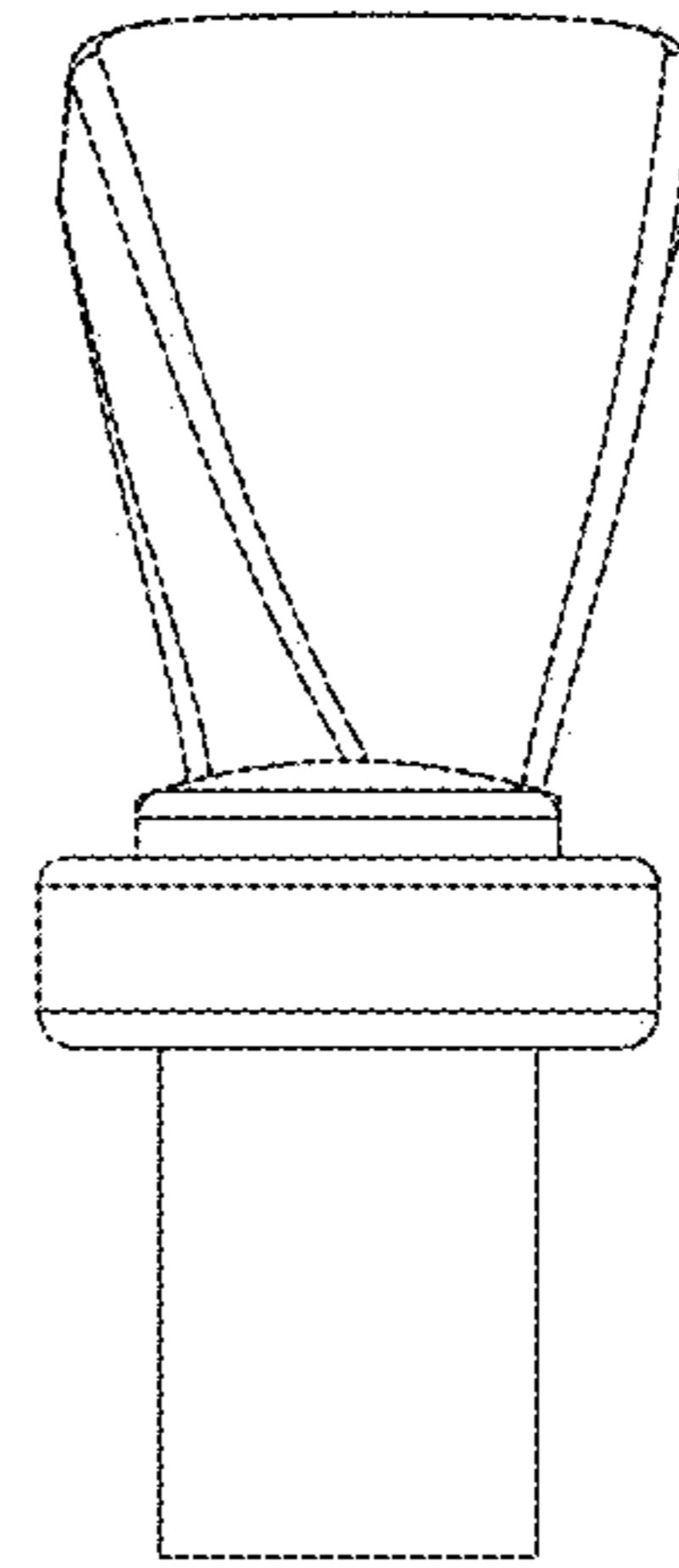


FIG - 6

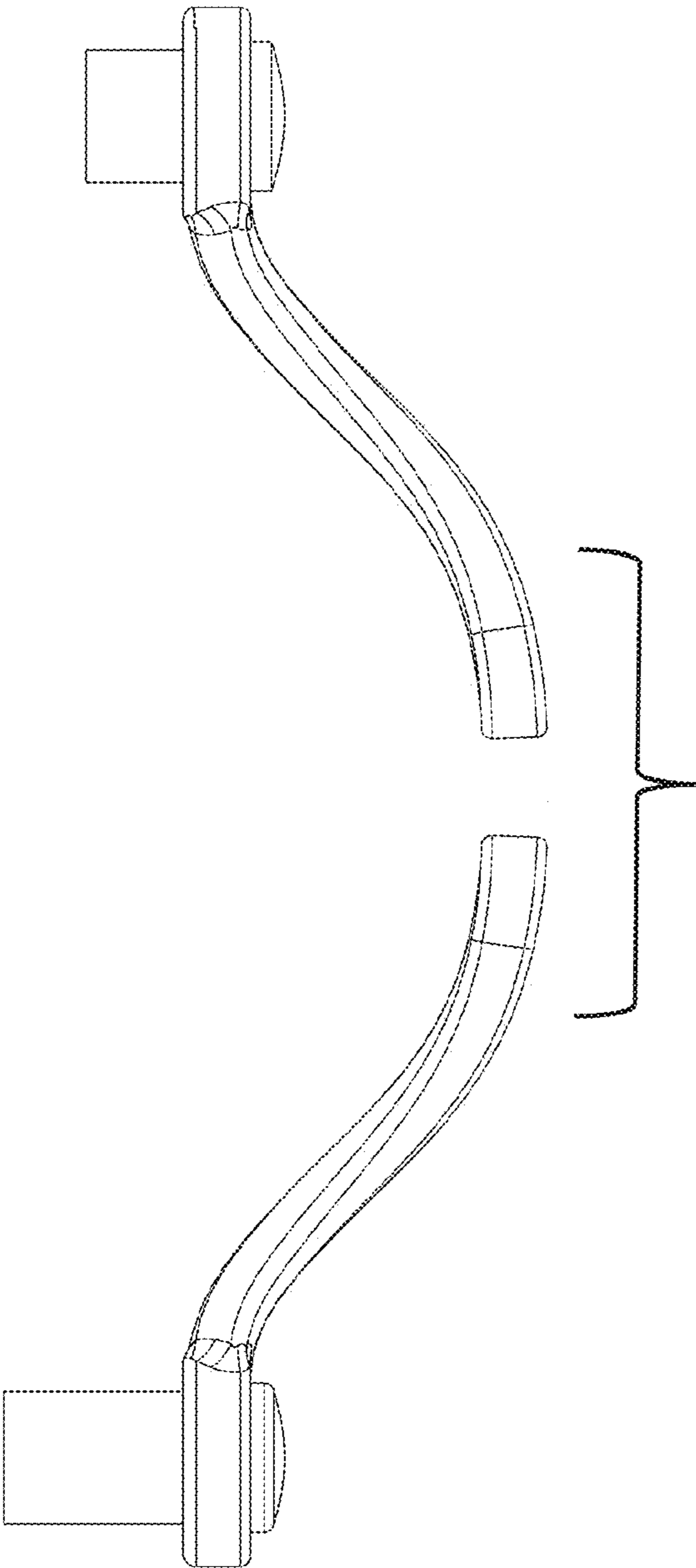


FIG - 7

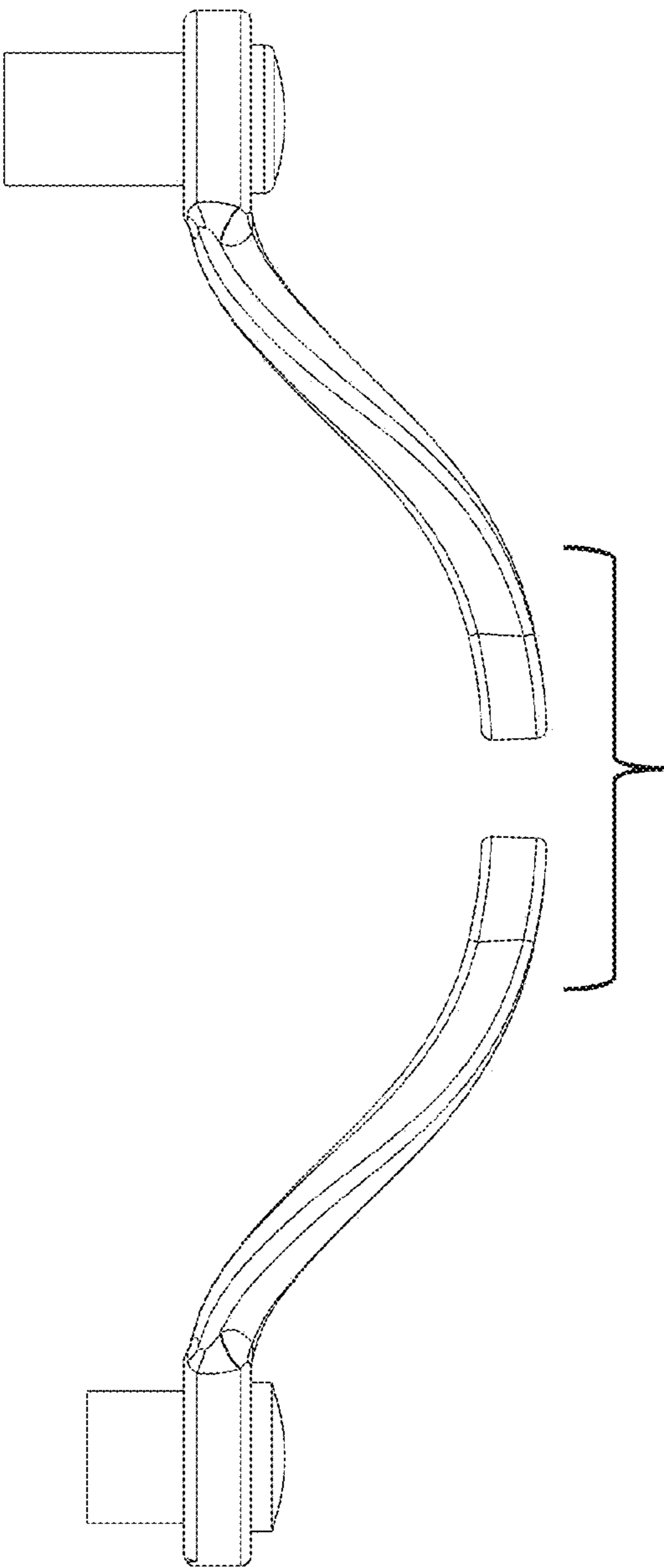


FIG - 8