



US00D981814S

(12) **United States Design Patent**
Chumchal

(10) **Patent No.:** **US D981,814 S**

(45) **Date of Patent:** **** Mar. 28, 2023**

- (54) **POCKET KNIFE**
- (71) Applicant: **Kyle Chumchal**, Fletcher, NC (US)
- (72) Inventor: **Kyle Chumchal**, Fletcher, NC (US)
- (73) Assignee: **Microtech Knives, Inc.**, Mills River, NC (US)
- (**) Term: **15 Years**
- (21) Appl. No.: **29/787,664**
- (22) Filed: **Jun. 8, 2021**
- (51) **LOC (14) Cl.** **08-03**
- (52) **U.S. Cl.**
USPC **D8/99**
- (58) **Field of Classification Search**
USPC D8/98, 99, 100; D22/118
CPC B26B 5/001; B26B 5/003; B26B 11/00;
B26B 1/08; B26B 1/02; B26B 1/10;
B26B 1/04; B26B 1/042; B26B 1/048;
B26B 3/08; B26B 29/06
See application file for complete search history.

(56) **References Cited**

U.S. PATENT DOCUMENTS

D265,719 S	8/1982	Dowdy	
D276,887 S	12/1984	Sakurai	
D347,375 S	5/1994	Sakai	
D385,173 S	10/1997	McWillis	
D387,966 S	12/1997	Horn	
D389,389 S	1/1998	Glesser	
D407,002 S	3/1999	Morton	
D407,004 S	3/1999	Hull	
D435,421 S	12/2000	Strider	
D438,443 S	3/2001	Keating	
D464,246 S *	10/2002	Sloan	D8/99
D473,917 S *	4/2003	Carter, III	D22/118
D474,669 S	5/2003	Onion	
D488,045 S	4/2004	Onion	

D496,575 S *	9/2004	Carter, III	B26B 1/04 D8/99
D505,057 S	5/2005	Ralph	
D508,194 S *	8/2005	Carter, III	D8/99
D510,249 S *	10/2005	Ray	D8/99
D567,055 S	4/2008	Renzi	
D578,857 S	10/2008	Yang-Fu	
D586,198 S *	2/2009	MacNair	D8/99
D613,574 S *	4/2010	Pohl	D8/99
D614,933 S	5/2010	Freeman	
D636,051 S	4/2011	Freeman	
D677,551 S	3/2013	Pelton	
D697,780 S *	1/2014	Pelton	D8/99
D706,107 S	6/2014	Pelton	

(Continued)

Primary Examiner — Philip S Hyder

(74) *Attorney, Agent, or Firm* — Steve LeBlanc, LLC

(57) **CLAIM**

The ornamental design for a pocket knife, as shown and described.

DESCRIPTION

FIG. 1 is a perspective view of a pocket knife embodying the new design;

FIG. 2 is a right side elevation view of the pocket knife with the blade in the deployed position;

FIG. 3 is a left side elevation view of the pocket knife with the blade in the deployed position;

FIG. 4 is a front side elevation view of the pocket knife with the blade in the deployed position;

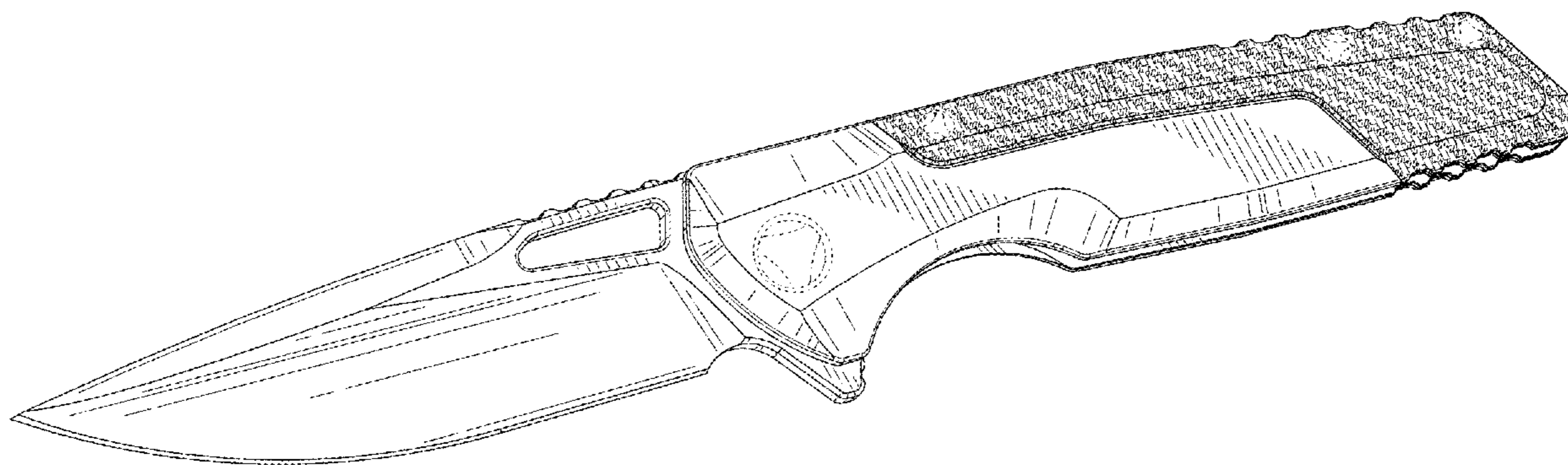
FIG. 5 is a rear side elevation view of the pocket knife with the blade in the deployed position;

FIG. 6 is a top side elevation view of the pocket knife with the blade in the deployed position; and,

FIG. 7 is a bottom side elevation view of the pocket knife with the blade in the deployed position.

The broken lines depict portions of the pocket knife in which the design is embodied that are not considered part of the claimed design.

1 Claim, 4 Drawing Sheets



(56)

References Cited

U.S. PATENT DOCUMENTS

D737,110	S	8/2015	Schuft	
D743,769	S	11/2015	Glesser	
D753,459	S	4/2016	Glesser	
D765,217	S	8/2016	Tom	
D768,456	S	10/2016	Cheng	
D768,458	S	10/2016	Mingyi	
D769,694	S	10/2016	Mingyi	
9,527,218	B2 *	12/2016	Valdez	B26B 1/044
D784,485	S *	4/2017	Nawaz	B26B 1/044 D22/118
D808,494	S	1/2018	Marfione et al.	
D811,191	S	2/2018	Berenji et al.	
D814,902	S	4/2018	Berenji et al.	
D856,109	S	8/2019	Marfione	
D856,775	S	8/2019	Marfione	
D870,532	S	12/2019	Marfione	
D871,187	S	12/2019	Marfione	
D871,887	S	1/2020	Marfione	
D889,238	S	7/2020	Marfione	
D895,392	S	9/2020	Marfione	
D898,541	S	10/2020	Chumchal	
D918,689	S *	5/2021	Glesser	D8/99
D919,401	S *	5/2021	Clinton	D8/99
11,220,013	B1 *	1/2022	Valerio, II	B26B 1/048
2005/0044717	A1 *	3/2005	Nishihara	B26B 1/04 30/161
2022/0079327	A1 *	3/2022	Bruhns	B26B 1/02

* cited by examiner

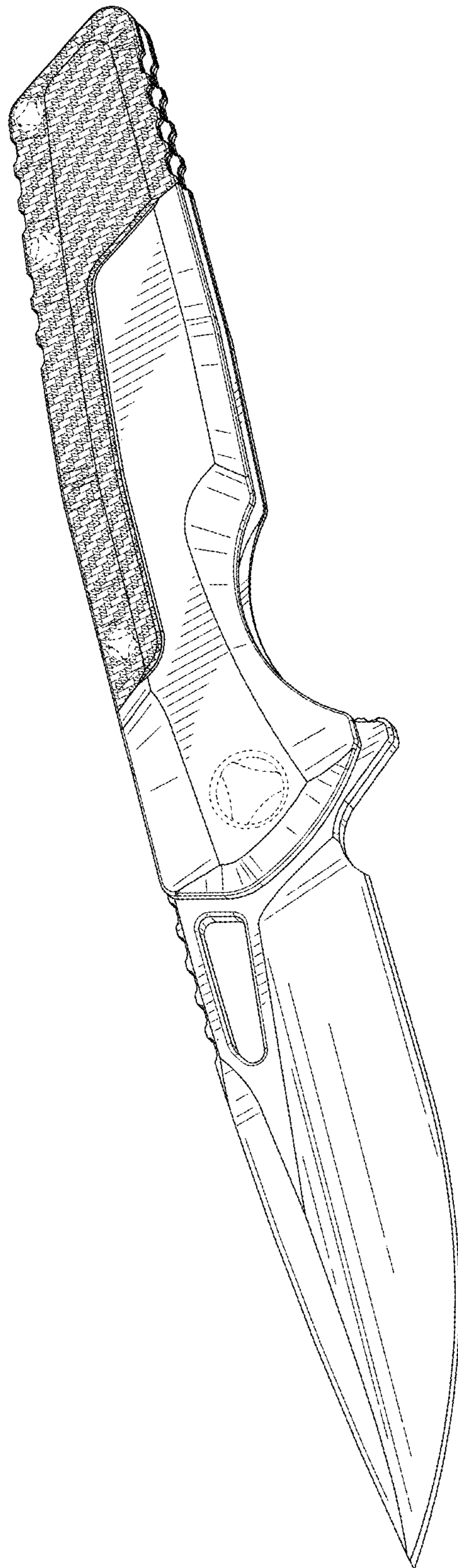


FIG. 1

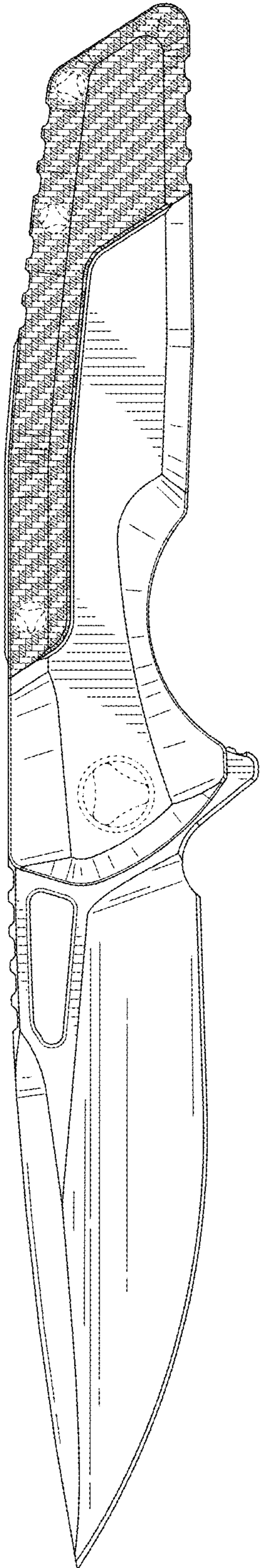


FIG. 2

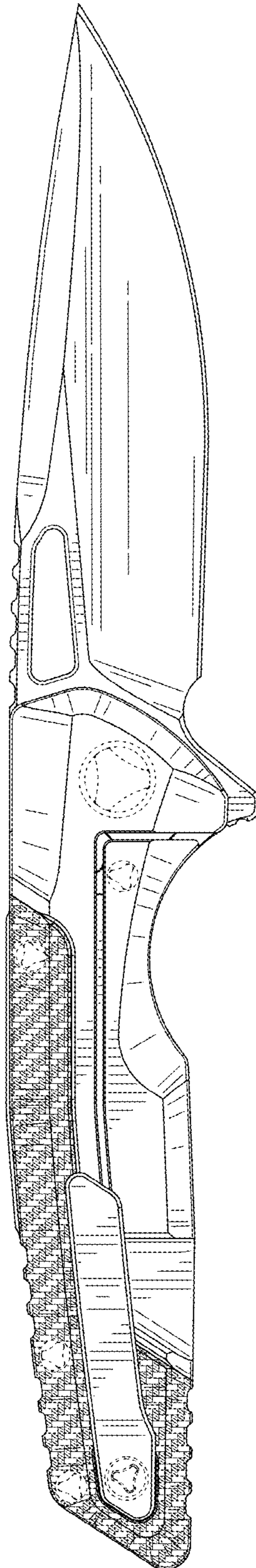


FIG. 3

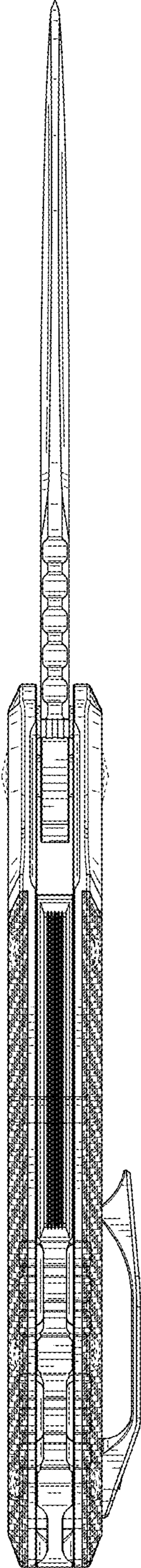


FIG. 4

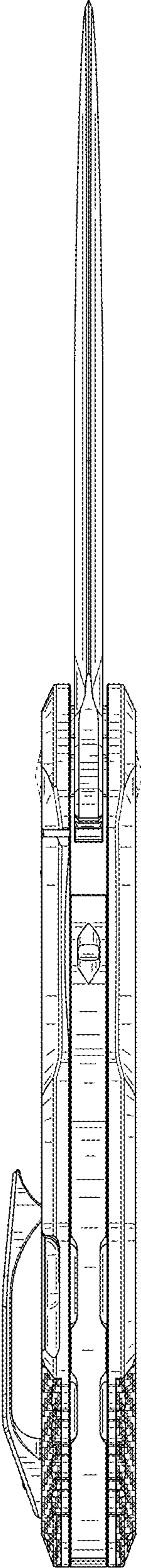


FIG. 5

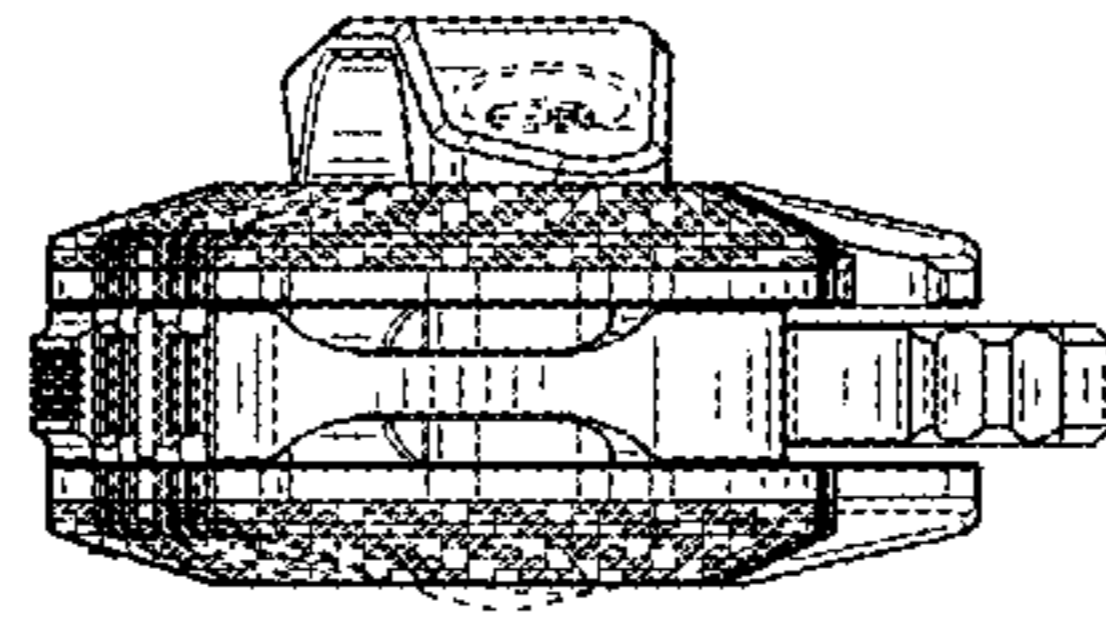


FIG. 7

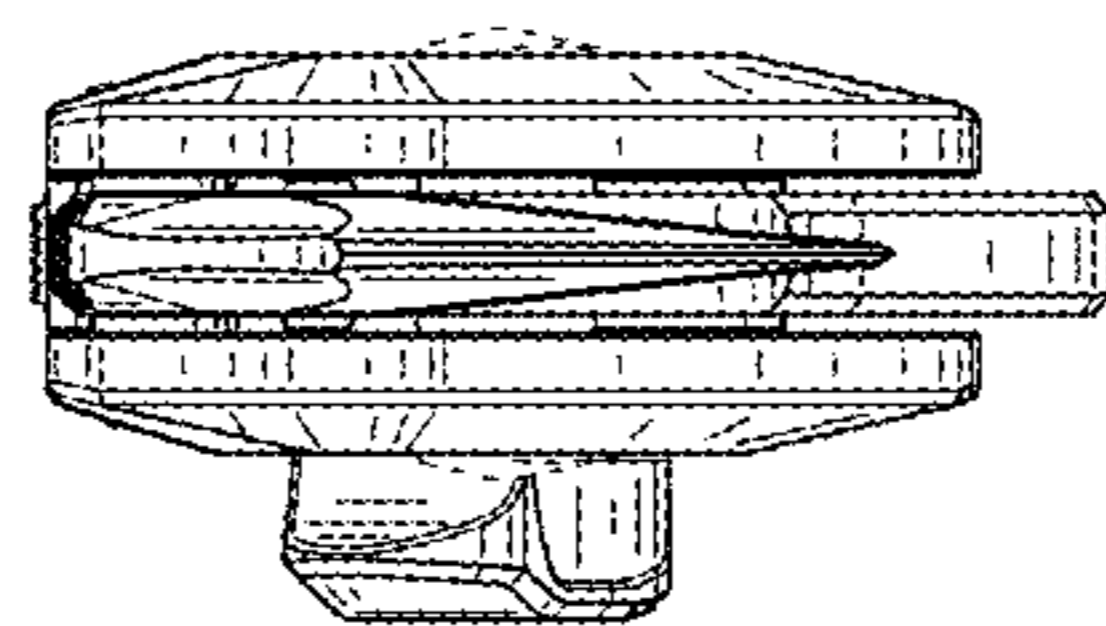


FIG. 6