



US00D981811S

(12) **United States Design Patent**
Spears

(10) **Patent No.:** **US D981,811 S**
(45) **Date of Patent:** **** Mar. 28, 2023**

- (54) **HOLDER FOR FASTENERS**
- (71) Applicant: **James M. Spears**, Little Rock, AR (US)
- (72) Inventor: **James M. Spears**, Little Rock, AR (US)
- (**) Term: **15 Years**
- (21) Appl. No.: **29/808,850**
- (22) Filed: **Sep. 23, 2021**
- (51) **LOC (14) Cl.** **08-05**
- (52) **U.S. Cl.**
USPC **D8/71**
- (58) **Field of Classification Search**
USPC D8/14, 17, 19, 71, 105, 356, 349;
D3/313, 304, 905; D10/64
CPC B25H 3/06; B25H 3/025; B65D 85/24
See application file for complete search history.

- 5,713,709 A * 2/1998 Huang F16B 27/00
206/347
- D450,990 S * 11/2001 Streeter D8/71
- 6,454,231 B1 9/2002 Fischer
- D464,544 S * 10/2002 Motley D8/71
- 6,910,578 B2 6/2005 Stern
- 7,150,362 B1 * 12/2006 Questiaux B25H 3/04
211/183
- D576,867 S * 9/2008 Kretz D8/356
- D637,500 S * 5/2011 Corbin D10/64
- 8,118,162 B1 * 2/2012 McEwin B25H 3/04
206/338
- D737,797 S * 9/2015 Roggenkamp D14/205
- D756,752 S * 5/2016 Dentener D8/356
- D765,496 S * 9/2016 White D8/356
- 9,701,008 B2 7/2017 Cho
- D817,196 S * 5/2018 Haarburger D10/64
- D893,321 S * 8/2020 Smith D10/64
- D904,143 S * 12/2020 Hollinger D8/19

* cited by examiner

Primary Examiner — Philip S Hyder
(74) *Attorney, Agent, or Firm* — Cramer Patent & Design, PLLC; Aaron R. Cramer

(56) **References Cited**
U.S. PATENT DOCUMENTS

- 1,221,517 A 4/1917 Dunbar
- 2,385,197 A * 9/1945 Eisel G09B 25/00
242/613.3
- 2,824,651 A 2/1958 Davis
- 3,116,730 A 1/1964 Tingley
- D303,447 S * 9/1989 Ayres D3/905
- D335,434 S * 5/1993 Someya D8/71
- 5,228,582 A * 7/1993 Marshall A47F 5/02
211/163
- D342,432 S * 12/1993 Sadoway D8/71
- 5,321,996 A * 6/1994 Wei B25C 3/008
81/44
- 5,326,068 A 7/1994 Spears
- D353,753 S * 12/1994 Williams D8/14
- 5,373,939 A * 12/1994 Bloomgren B65D 85/24
206/443
- D362,400 S * 9/1995 Tucker D10/64
- D382,782 S * 8/1997 Harrah D8/16

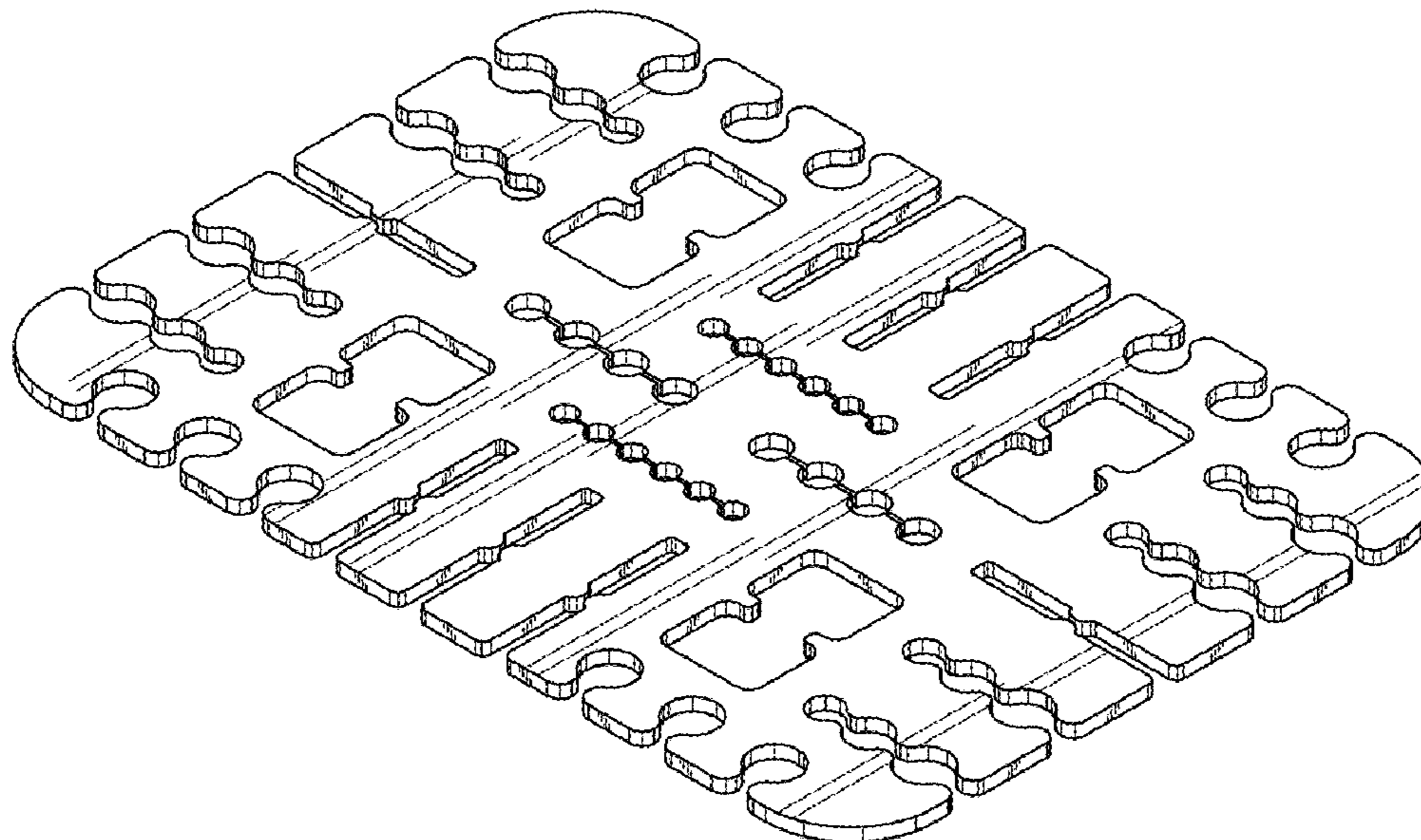
(57) **CLAIM**

The ornamental design for holder for fasteners, as shown and described.

DESCRIPTION

FIG. 1 is a perspective top front right view of holder for fasteners, showing my new design and wherein a perspective top rear left view is an identical view thereof, showing my new design;
FIG. 2 is a front elevation view thereof and wherein a rear elevation view is an identical view of;
FIG. 3 is a first side elevation view thereof and wherein a second side elevation view is an identical view of; and,
FIG. 4 is a top plan view thereof and wherein a bottom plan view is an identical view of.

1 Claim, 2 Drawing Sheets



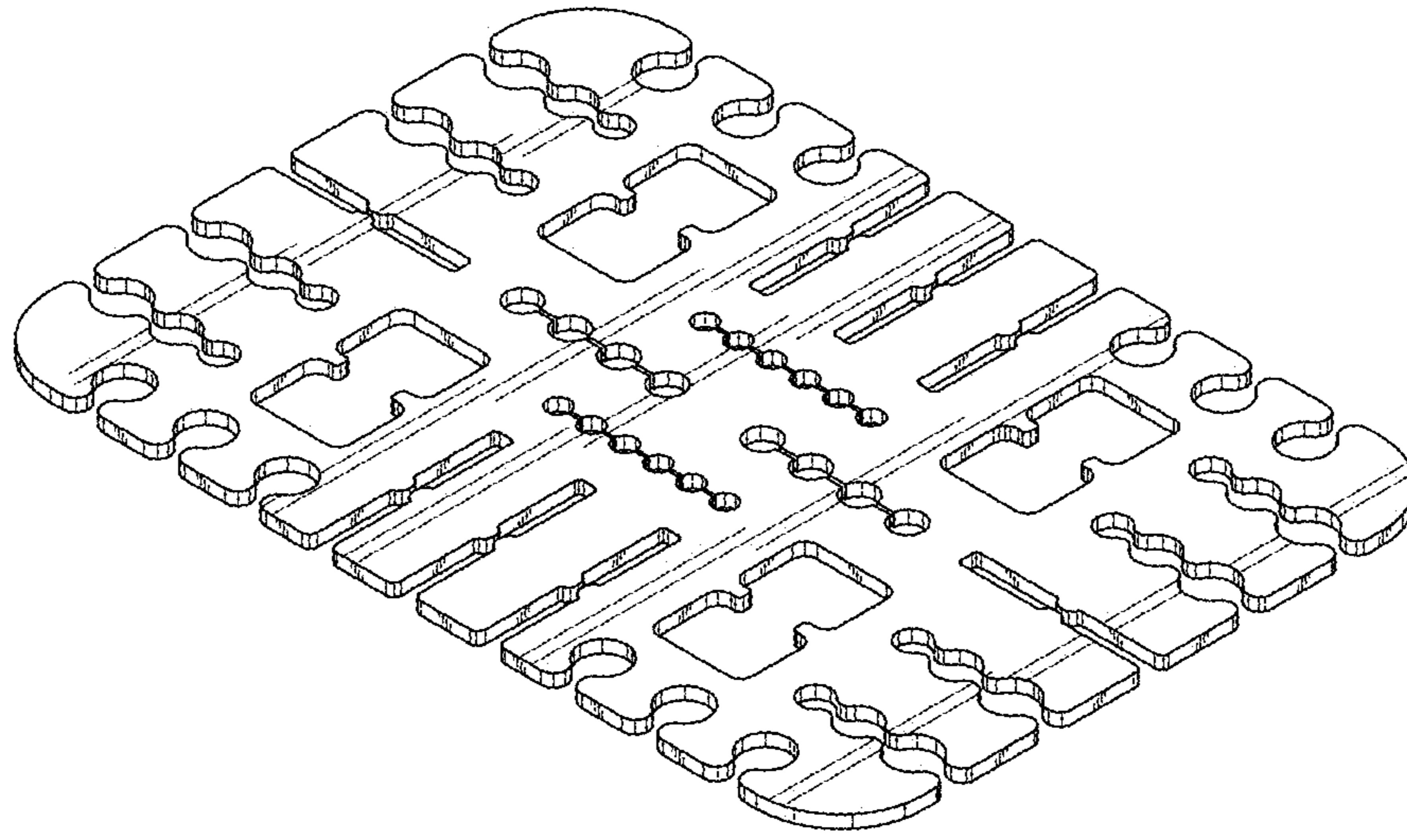


FIG. 1



FIG. 2



FIG. 3

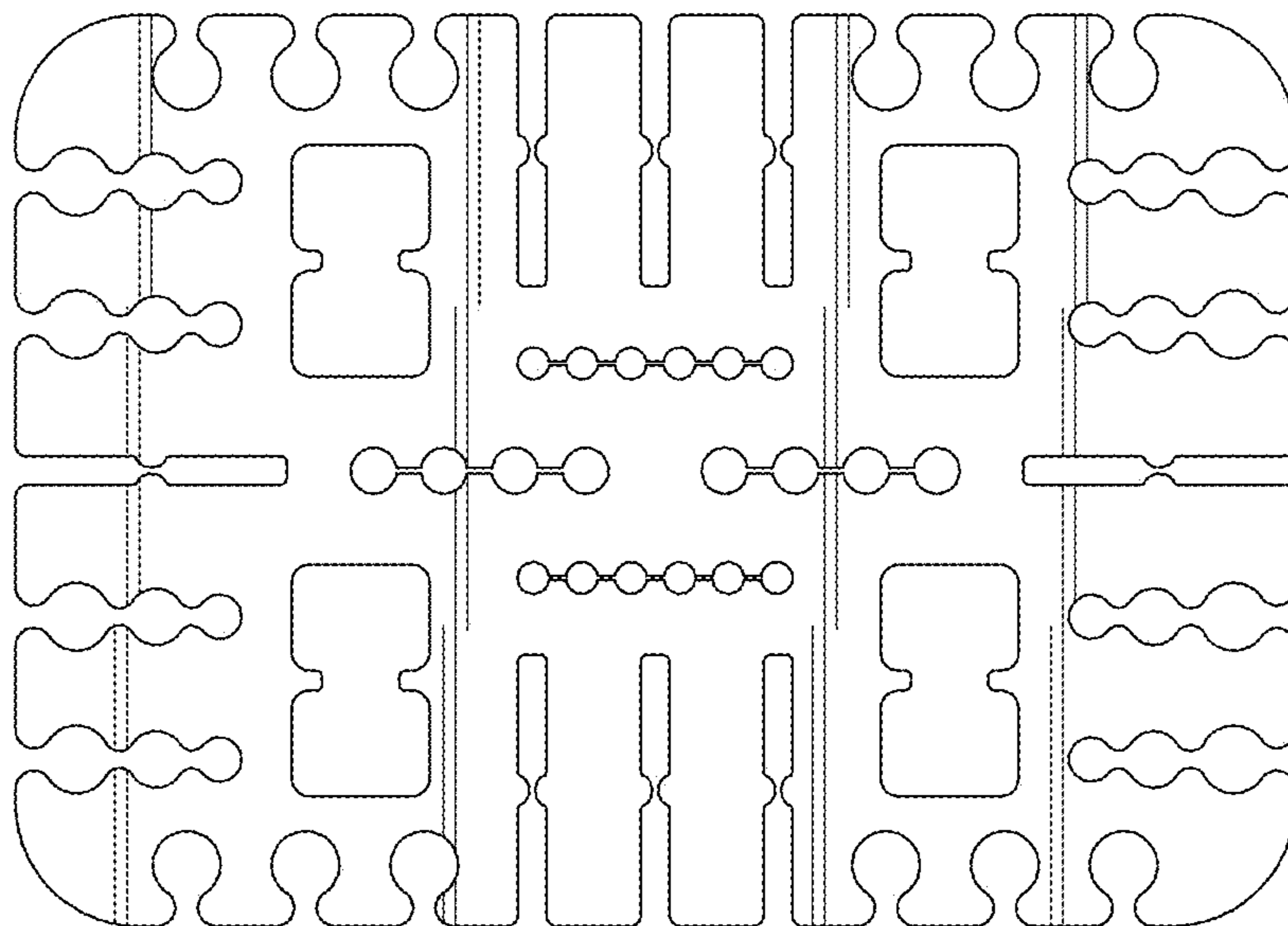


FIG. 4