



US00D981810S

(12) **United States Design Patent**  
**Ruth**

(10) **Patent No.:** **US D981,810 S**  
(45) **Date of Patent:** **\*\* Mar. 28, 2023**

(54) **SHELF PIN AND DRAWER SLIDE  
TEMPLATE**

(71) Applicant: **Woodpeckers, LLC**, Strongsville, OH  
(US)

(72) Inventor: **Craig E. Ruth**, Brecksville, OH (US)

(73) Assignee: **WOODPECKERS, LLC**, Strongsville,  
OH (US)

(\*\*) Term: **15 Years**

(21) Appl. No.: **29/771,079**

(22) Filed: **Feb. 19, 2021**

(51) **LOC (14) Cl.** ..... **08-05**

(52) **U.S. Cl.**  
USPC ..... **D8/71**

(58) **Field of Classification Search**  
USPC ..... D8/14, 16, 70-71, 322, 377  
CPC ..... A47B 88/423; A47B 88/433; B23B 47/28;  
B23B 47/287; B23B 2247/12; B23B  
2260/088; B25H 1/0078; B25H 7/00;  
Y10S 408/712; Y10T 408/5653; Y10T  
408/567

See application file for complete search history.

(56) **References Cited**

**U.S. PATENT DOCUMENTS**

5,230,592 A \* 7/1993 Degen ..... B23B 47/288  
408/241 B  
D345,511 S \* 3/1994 Petrohilos ..... D10/64  
5,318,394 A \* 6/1994 Pierce ..... B23B 47/287  
408/241 B

(Continued)

**OTHER PUBLICATIONS**

“Jig IT Shelving Jig and .25in Bit Set”, Jun. 22, 2008, Amazon.com,  
site visited Sep. 29, 2022: <https://www.amazon.com/JIG-Shelving-Jig-Bit-Set/dp/B001DSXUKK> (Year: 2008).\*

(Continued)

*Primary Examiner* — Jack Reickel

*Assistant Examiner* — Michael A Kervin

(74) *Attorney, Agent, or Firm* — Sand, Sebolt & Wernow  
Co., LPA

(57) **CLAIM**

The ornamental design for a shelf pin and drawer slide  
template, as shown and described.

**DESCRIPTION**

FIG. 1 is a top, right side, perspective view of a shelf pin and  
drawer slide template in accordance with my design.

FIG. 2 is a top, left side, perspective view of the shelf pin and  
drawer slide template shown in FIG. 1.

FIG. 3 is a front elevation view of the shelf pin and drawer  
slide template shown in FIG. 1.

FIG. 4 is a rear elevation view of the shelf pin and drawer  
slide template shown in FIG. 1.

FIG. 5 is a left side elevation view of the shelf pin and  
drawer slide template of FIG. 1

FIG. 6 is a right side elevation view of the shelf pin and  
drawer slide template shown in FIG. 1.

FIG. 7 is a top plan view of the shelf pin and drawer slide  
template shown in FIG. 1.

FIG. 8 is a bottom plan view of the shelf pin and drawer slide  
template shown in FIG. 1.

FIG. 9 is a cross-sectional view of the shelf pin and drawer  
slide template taken along line 9-9 of FIG. 7.

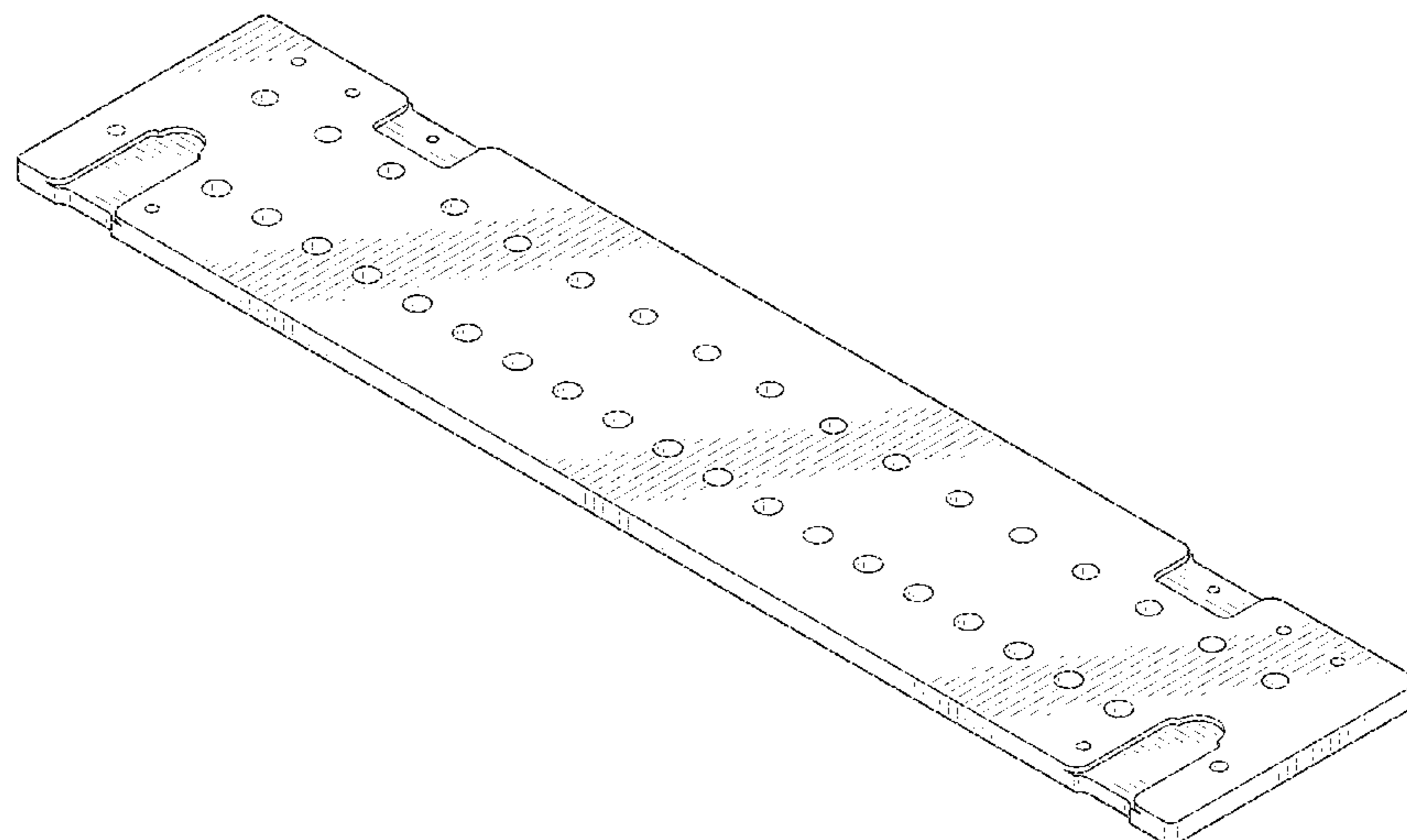
FIG. 10 is a cross-sectional view of the shelf pin and drawer  
slide template taken along line 10-10 of FIG. 7.

FIG. 11 is a cross-sectional of the shelf pin and drawer slide  
template taken along line 11-11 of FIG. 7.

FIG. 12 is a cross-sectional view of the shelf pin and drawer  
slide template taken along line 12-12 of FIG. 7; and,

FIG. 13 is a cross-sectional view of the shelf pin and drawer  
slide template taken along line 13-13 of FIG. 7.

**1 Claim, 5 Drawing Sheets**



(56)

**References Cited**

U.S. PATENT DOCUMENTS

5,560,408 A \* 10/1996 DiFranco ..... B23Q 35/02  
 144/365  
 D637,501 S \* 5/2011 Begin ..... D10/64  
 D688,930 S \* 9/2013 Krohmer ..... D8/71  
 D690,180 S \* 9/2013 Del Rossa ..... D15/140  
 D734,680 S \* 7/2015 Eisinger ..... D10/64  
 D744,876 S \* 12/2015 Hegarty ..... D10/64  
 D951,043 S \* 5/2022 Turley ..... D8/20  
 D951,052 S \* 5/2022 Choi ..... D8/71  
 D954,570 S \* 6/2022 Turley ..... D10/65  
 2005/0084344 A1 \* 4/2005 Dods ..... B23B 47/287  
 408/67  
 2006/0251481 A1 \* 11/2006 Behman ..... B23B 47/28  
 408/115 R  
 2011/0135411 A1 \* 6/2011 Inman ..... B23Q 11/0046  
 408/67

OTHER PUBLICATIONS

“Shelf Pin & Drawer Slide Template”, Oct. 27, 2020, YouTube.com, site visited Sep. 29, 2022: [https://www.youtube.com/watch?v=u\\_AFt4bAuFM](https://www.youtube.com/watch?v=u_AFt4bAuFM) (Year: 2020).\*

“Woodpeckers New Shelf Pin & Drawer Slide Template”, Oct. 28, 2020, Milled.com, site visited Sep. 29, 2022: <https://milled.com/wwgoa/woodpeckers-new-shelf-pin-and-drawer-slide-template-designed-for-both-new-and--ejGlypnCyZy2hpLe> (Year: 2020).\*

\* cited by examiner

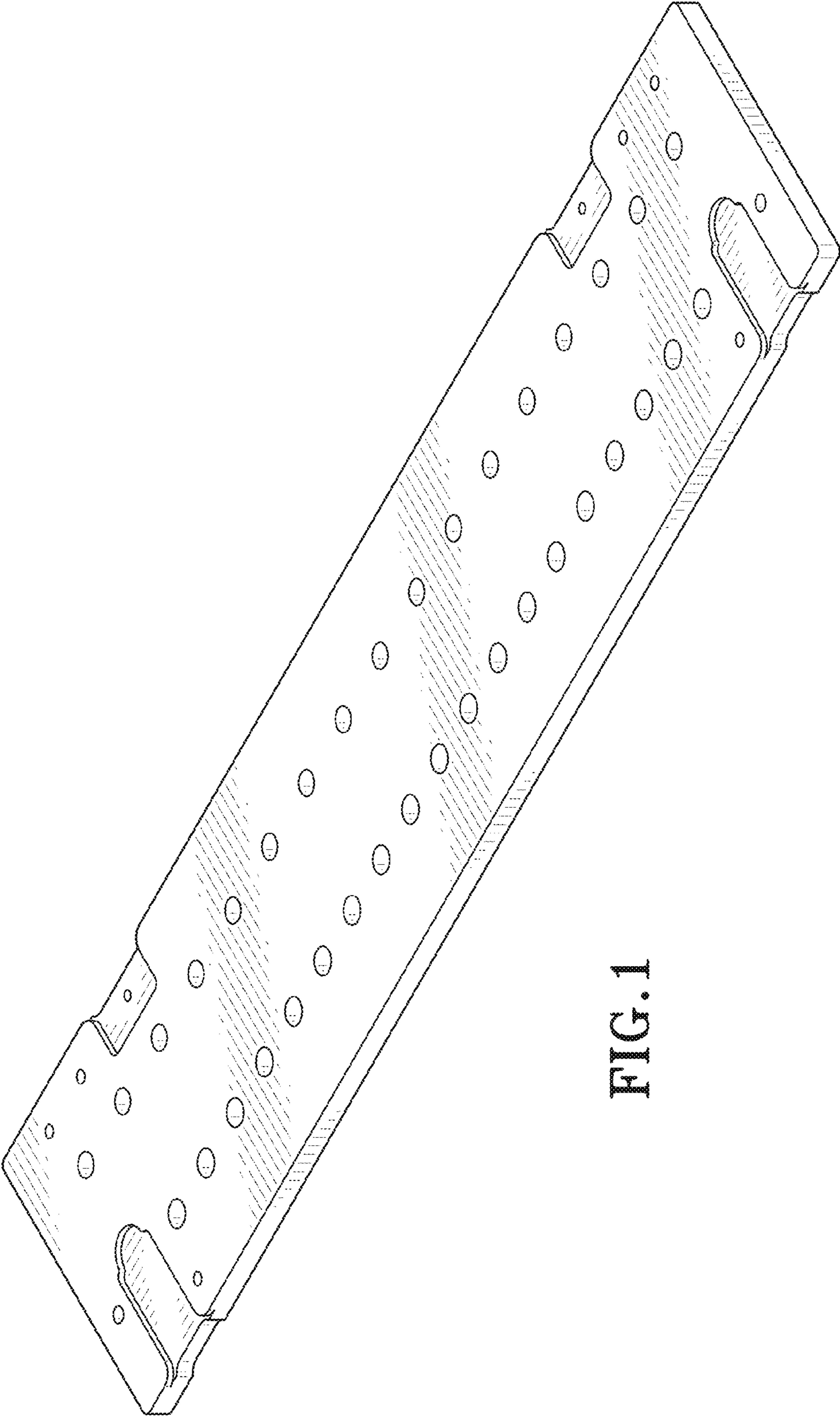


FIG.1

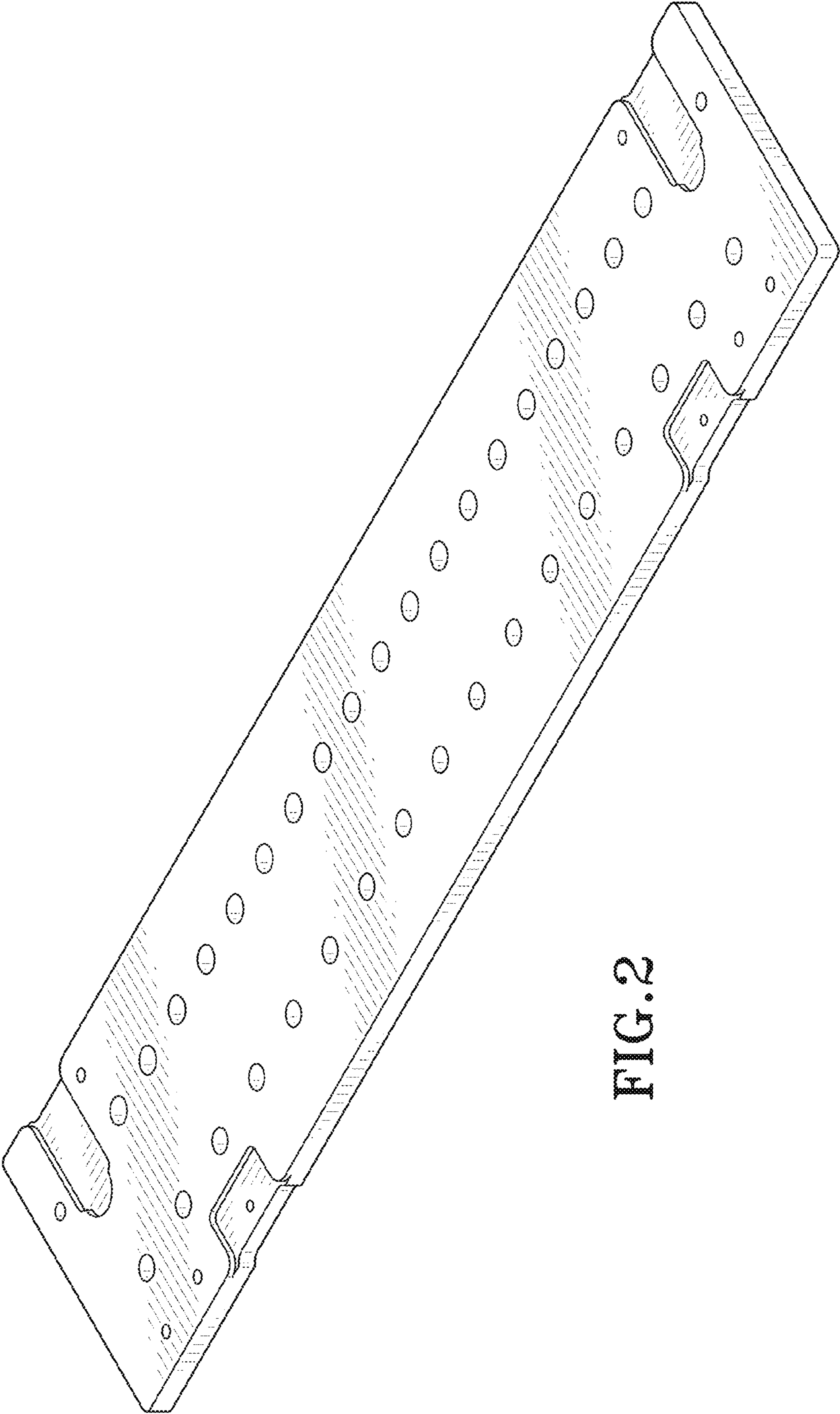


FIG. 2



FIG. 3

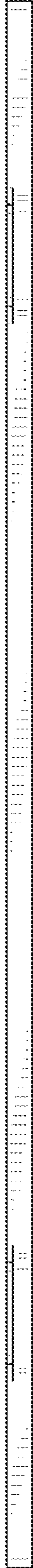


FIG. 4



FIG. 5

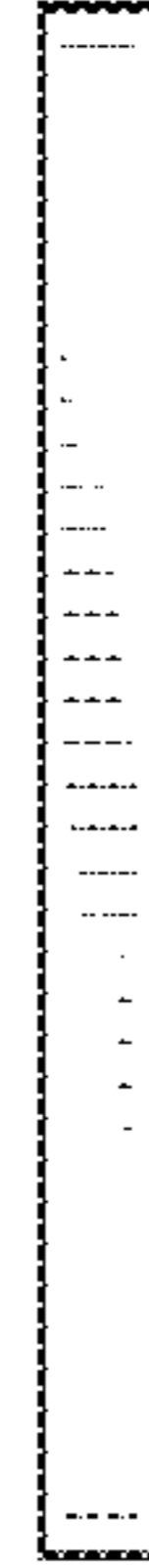


FIG. 6

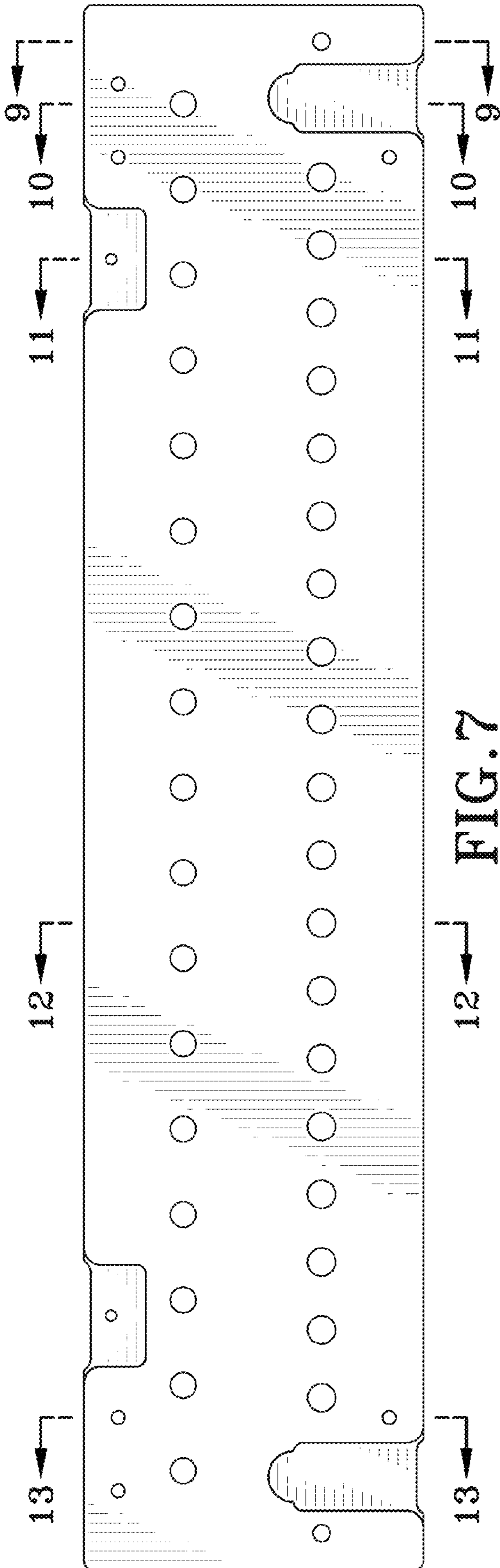


FIG. 7

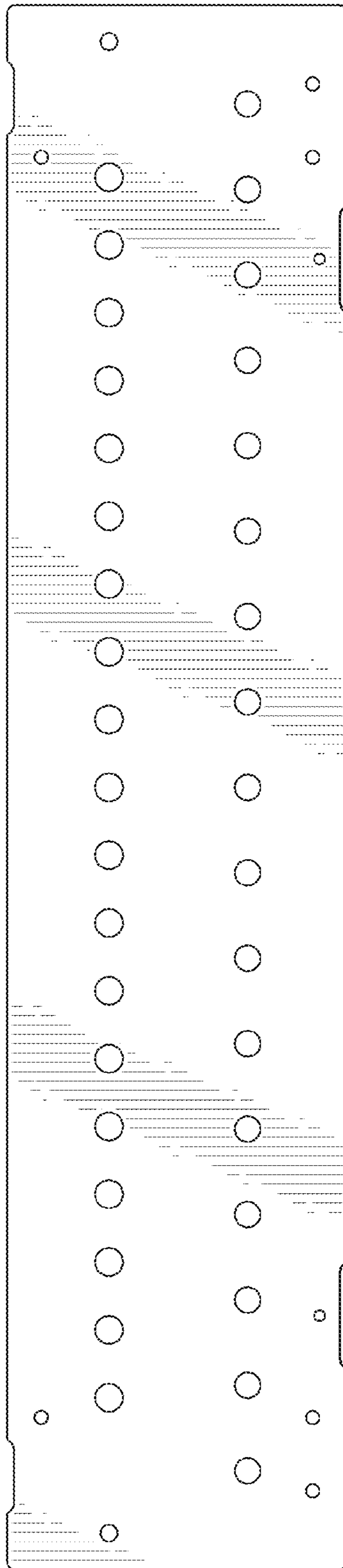


FIG. 8



FIG. 9



FIG. 10

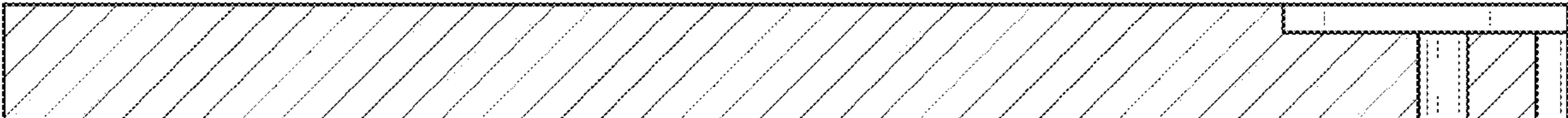


FIG. 11

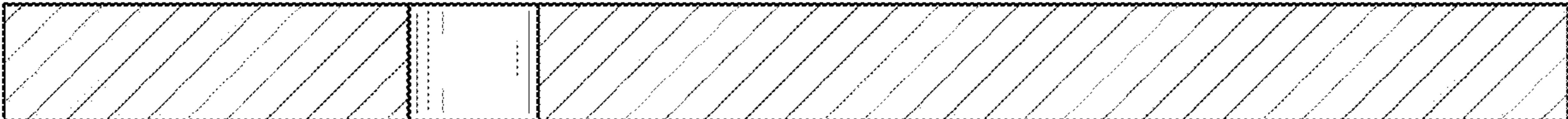


FIG. 12

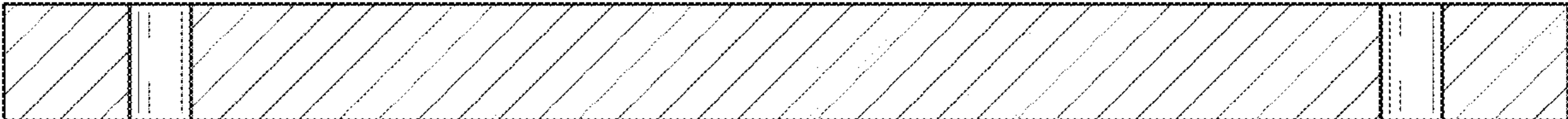


FIG. 13