



US00D981809S

(12) **United States Design Patent**
Ni

(10) **Patent No.:** **US D981,809 S**
(45) **Date of Patent:** **** Mar. 28, 2023**

(54) **PLANTING DEVICE**

(71) Applicant: **Yajun Ni**, Jinhua (CN)

(72) Inventor: **Yajun Ni**, Jinhua (CN)

(**) Term: **15 Years**

(21) Appl. No.: **29/835,862**

(22) Filed: **Apr. 22, 2022**

(51) **LOC (14) Cl.** **08-03**

(52) **U.S. Cl.**
USPC **D8/8**

(58) **Field of Classification Search**

USPC D8/1, 4, 5, 7, 9, 11, 12, 13, 18, 20, 33,
D8/34, 35, 36, 38, 40, 90, 92, 93, 98, 99,
D8/104, 105; D7/649, 653, 667, 683,
D7/685, 686, 687, 692; D34/31
CPC B66F 3/02; B66F 3/005; B66F 1/06; B26B
9/00; B26B 9/02; B67B 7/00; B67B 7/16;
B67B 7/30; B67B 7/34; B67B 2007/303;
B67B 2007/306; F16N 3/12; B05C
17/0123

See application file for complete search history.

(56) **References Cited**

U.S. PATENT DOCUMENTS

357,544 A * 2/1887 Albright E21B 11/005
175/413
1,283,246 A * 10/1918 Maloney E02D 5/801
52/157
1,389,578 A * 9/1921 Charlton B27G 15/00
408/233
1,417,760 A * 5/1922 McPherson B27G 15/00
408/213
1,474,050 A * 11/1923 McCurdy B21D 11/14
72/64
1,493,439 A * 5/1924 Steadman B27G 15/00
408/233
1,523,143 A * 1/1925 Schweisgut E21B 11/005
175/242

1,866,073 A * 7/1932 Aberle A01C 5/02
30/316
2,591,233 A * 4/1952 Browne E21B 10/44
175/398
2,594,261 A * 4/1952 Henning E21B 10/44
175/391
2,634,104 A * 4/1953 Clayton E21B 10/44
175/413
2,709,573 A * 5/1955 Reed E21B 10/44
175/388
3,026,953 A * 3/1962 Pettee A01C 5/04
175/385

(Continued)

OTHER PUBLICATIONS

Auger Drill Bits for Planting Garden Auger Bulb Planter Garden Drill Bit Post Hole Digger 1.6" x 9" and 3" x 9" 2-in-1 Set; Jucoci; amazon.com; Aug. 19, 2020; accessed Aug. 15, 2022; URL:< https://www.amazon.com/dp/B08G8MF9B5?th=1 > (Year: 2020).*

(Continued)

Primary Examiner — Rachel A. Voorhies
Assistant Examiner — Benjamin D. Wannemacher

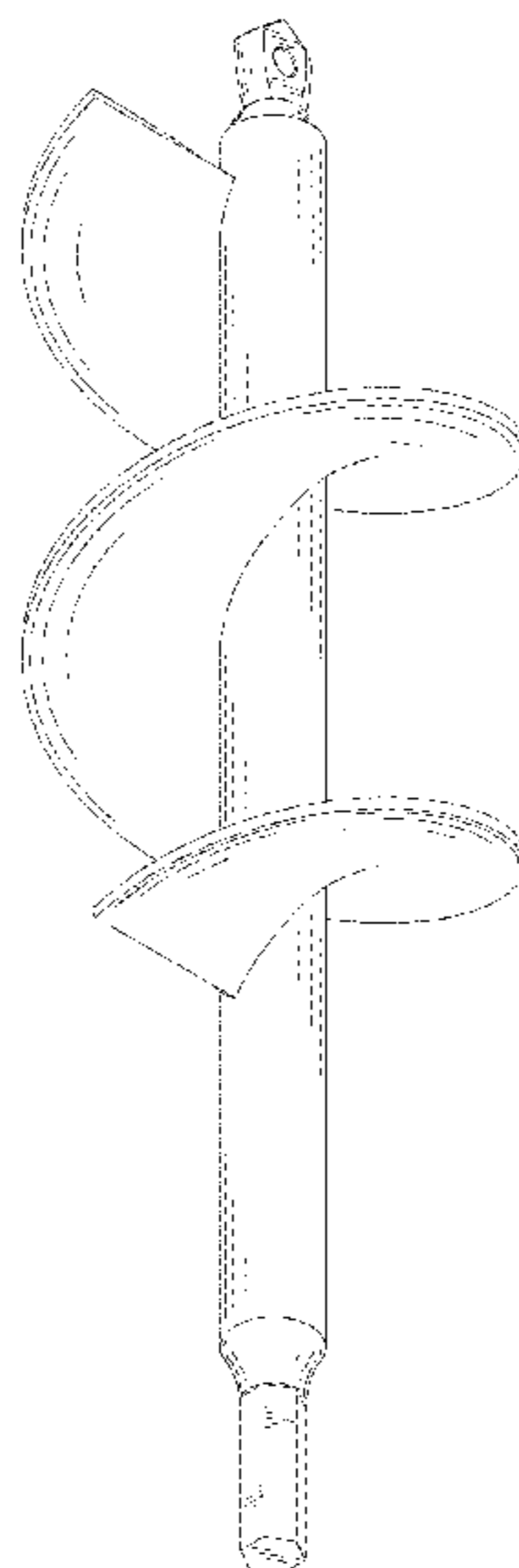
(57) **CLAIM**

The ornamental design for a planting device, as shown and described.

DESCRIPTION

FIG. 1 is a rear and bottom perspective view of a planting device, showing my new design;
FIG. 2 is a front and top perspective view thereof;
FIG. 3 is a front elevation view thereof;
FIG. 4 is a rear view thereof;
FIG. 5 is a left side elevation view thereof;
FIG. 6 is a right side elevation view thereof;
FIG. 7 is a top plan view thereof; and,
FIG. 8 is a bottom plan view thereof.

1 Claim, 8 Drawing Sheets



(56)

References Cited

U.S. PATENT DOCUMENTS

3,356,168 A * 12/1967 Johnson E21B 10/44
175/385
3,382,628 A * 5/1968 Waite E02D 5/801
52/157
3,401,760 A * 9/1968 Balliano A01C 5/02
175/308
3,444,940 A * 5/1969 Thomas E21B 10/44
175/394
D223,892 S * 6/1972 Smith E21B 25/00
D8/5
3,830,320 A * 8/1974 Van Der Wijden E21B 25/00
175/241
4,917,196 A * 4/1990 Stiffler E21B 10/44
299/87.1
4,976,341 A * 12/1990 Lundell B65G 33/265
198/666
4,986,368 A * 1/1991 Underwood E21B 10/44
172/430
5,113,952 A * 5/1992 Niewold A01C 5/04
175/57
D368,211 S * 3/1996 Skold B27G 15/00
D8/1
D381,892 S * 8/1997 Porter E21B 11/005
D8/387
5,673,762 A * 10/1997 Pennington E21B 49/02
175/58
D398,363 S * 9/1998 LoBue E21B 10/44
D21/840

D546,167 S * 7/2007 Noethe A01C 5/04
D8/387
7,309,198 B1 * 12/2007 Brown A01K 97/10
410/101
D569,695 S 5/2008 Zimmer
D618,972 S 7/2010 Bushroe
D648,193 S 11/2011 Wheat
D706,893 S * 6/2014 Diederich B65G 33/265
D8/387
D964,826 S * 9/2022 Wang D8/7
2022/0120141 A1 * 4/2022 Huang E21B 10/00

OTHER PUBLICATIONS

Royars Upgrade 3pcs Auger Drill Bit for Planting Garden Bulb Planter Tool Post Hole Digger . . . ; Royars; amazon.com; Nov. 20, 2021; accessed Aug. 15, 2022; URL:< <https://www.amazon.com/dp/B09M9HQ944/?th=1> > (Year: 2021).*

Auger Drill Bit Set for Planting—Garden Spiral Hole Drill Planter, Bulb & Bedding Plant Augers; nutroeno Store; amazon.com; Jan. 3, 2021; accessed Aug. 15, 2022; URL:< <https://www.amazon.com/dp/B08RXS7QTR> > (Year: 2021).*

Auger Drill Bit for Planting 3×12inch, Heavy Duty Planting Auger, Solid Core Shaft Garden Spiral Drill Bit for Planting Bulb Seedlings, Garden Hole Digger; TCBWFY Store; amazon.com; Jan. 19, 2022; accessed Aug. 15, 2022; URL:< <https://www.amazon.com/dp/B09QPFFB5L/> > (Year: 2022).*

* cited by examiner

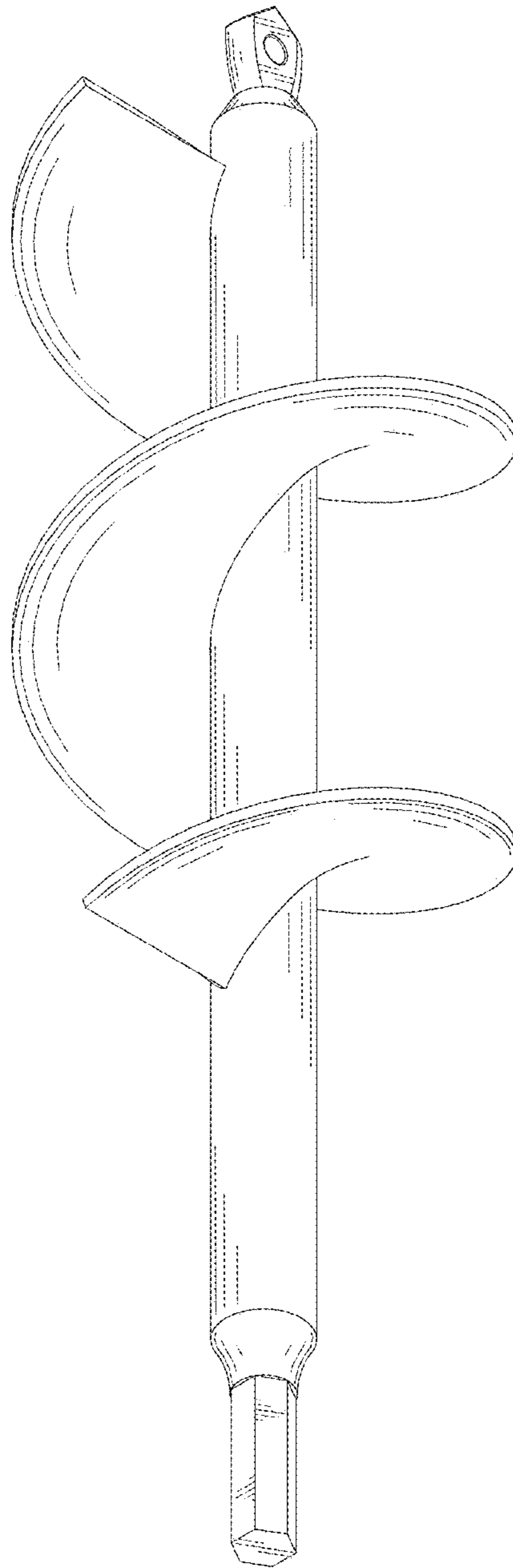


FIG. 1

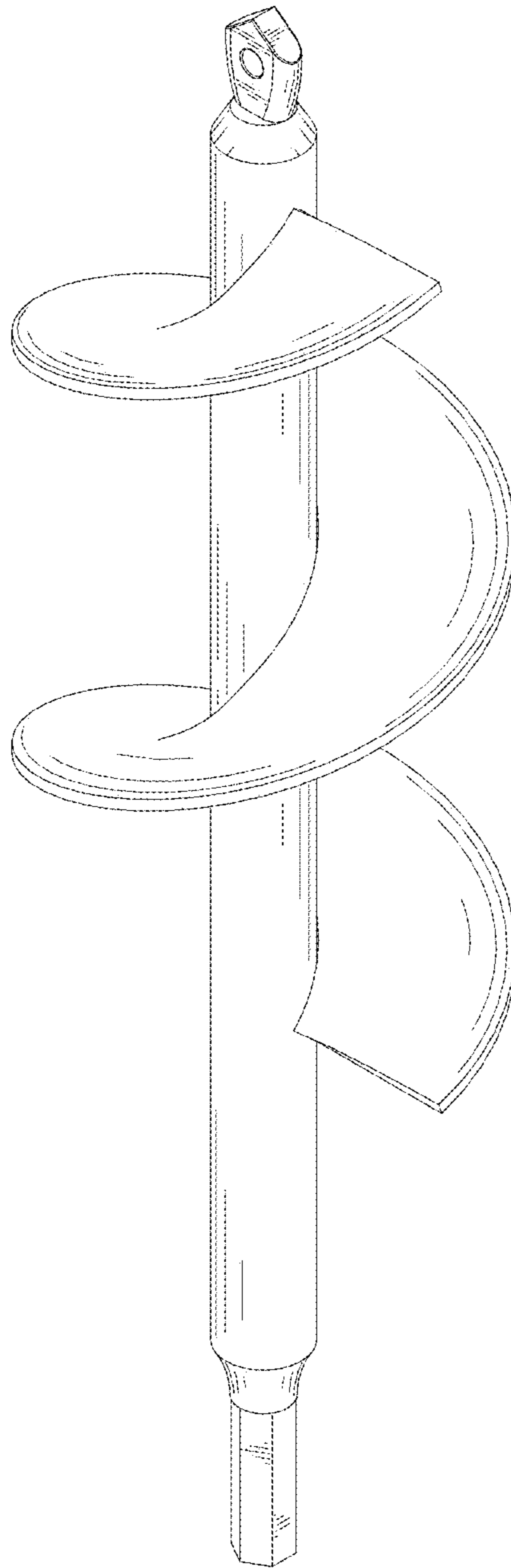


FIG. 2

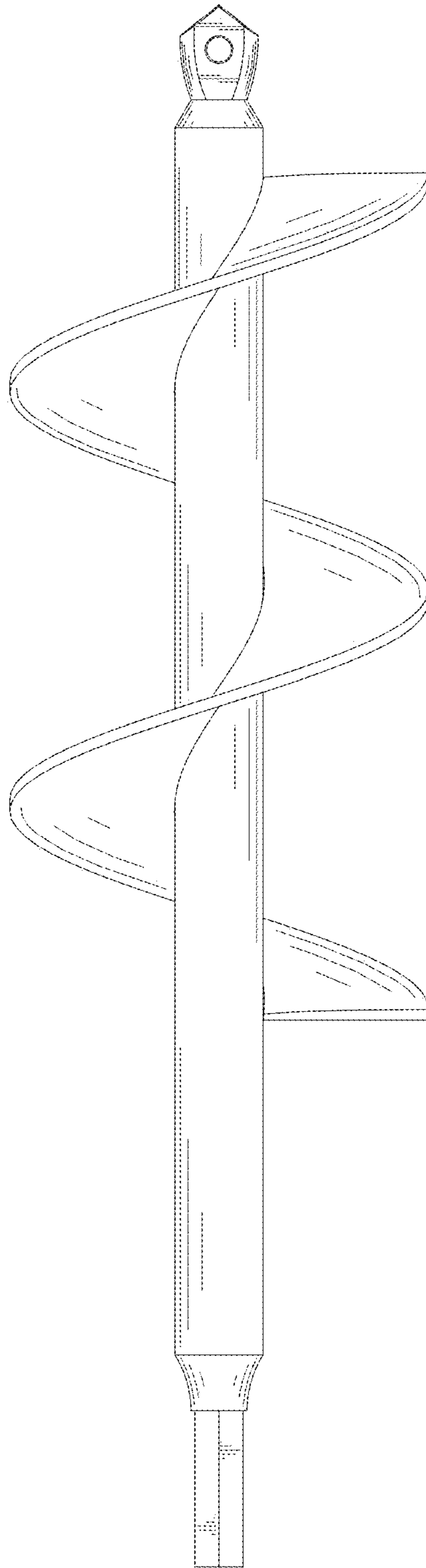


FIG. 3

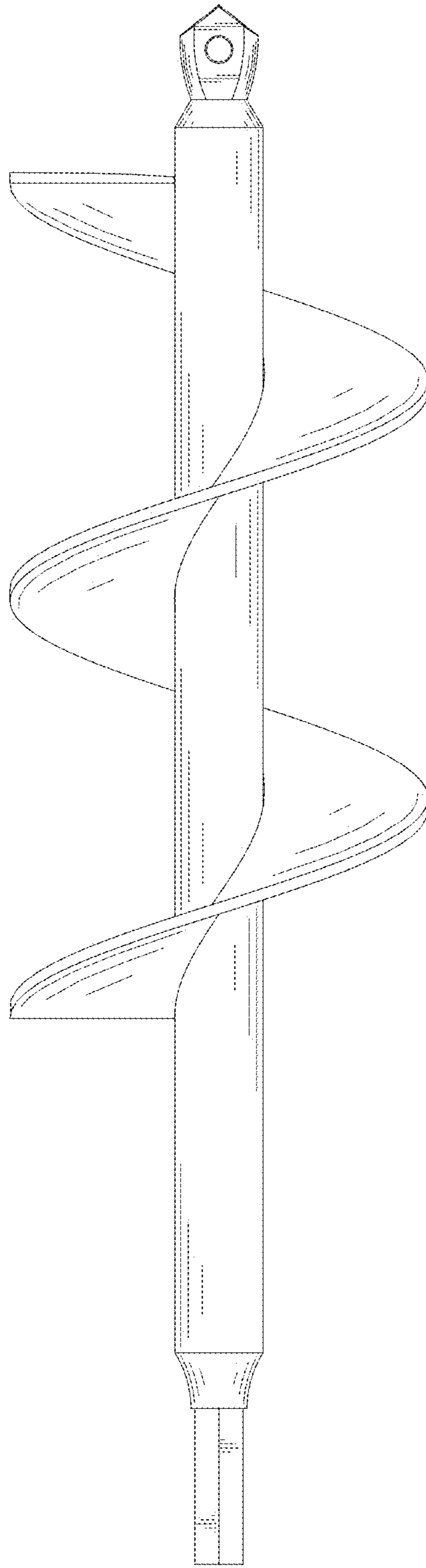


FIG. 4

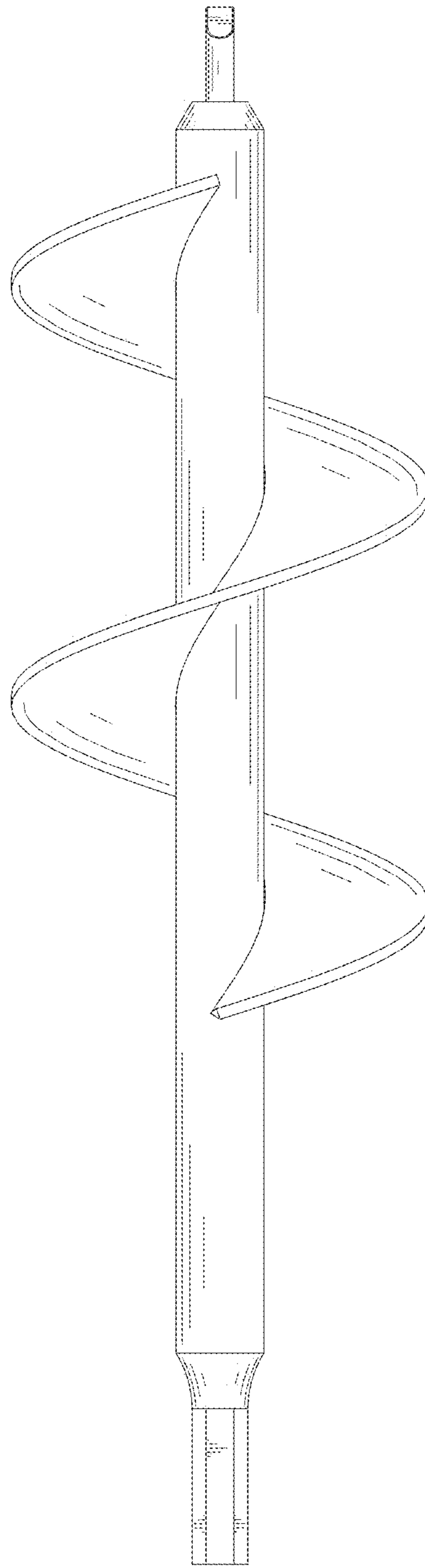


FIG. 5

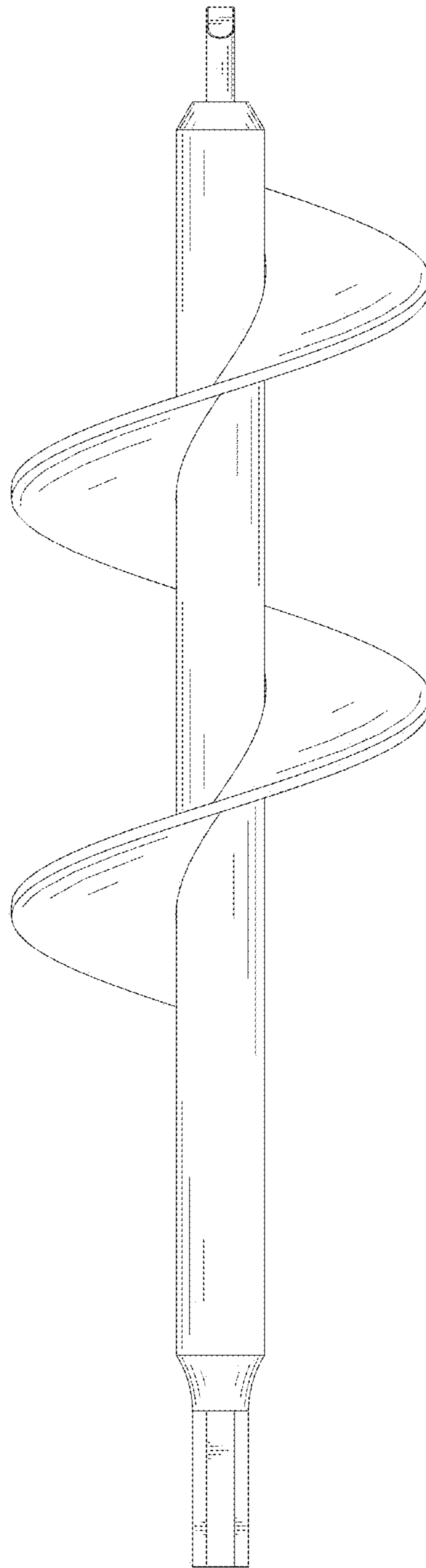


FIG. 6

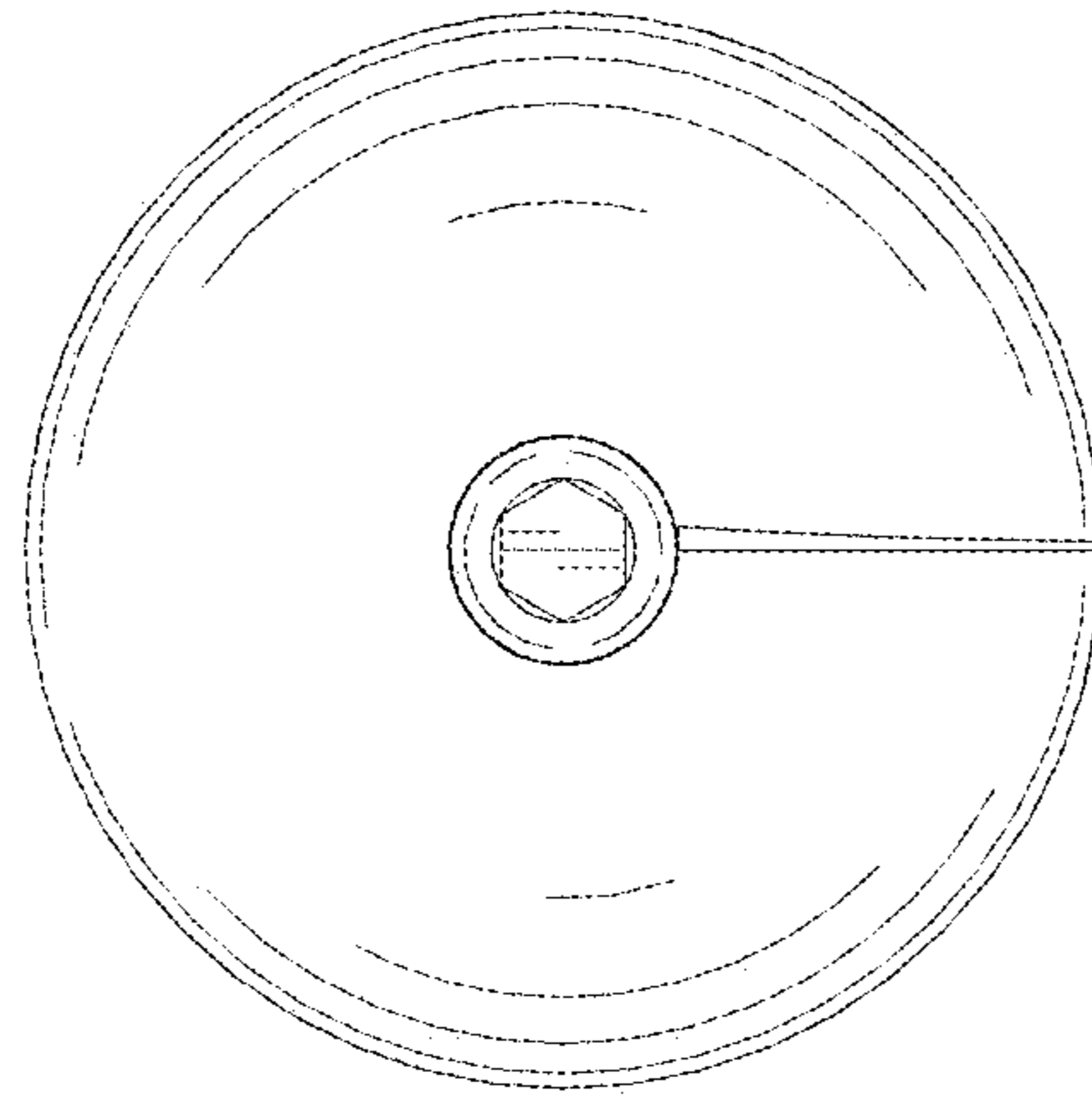


FIG. 7

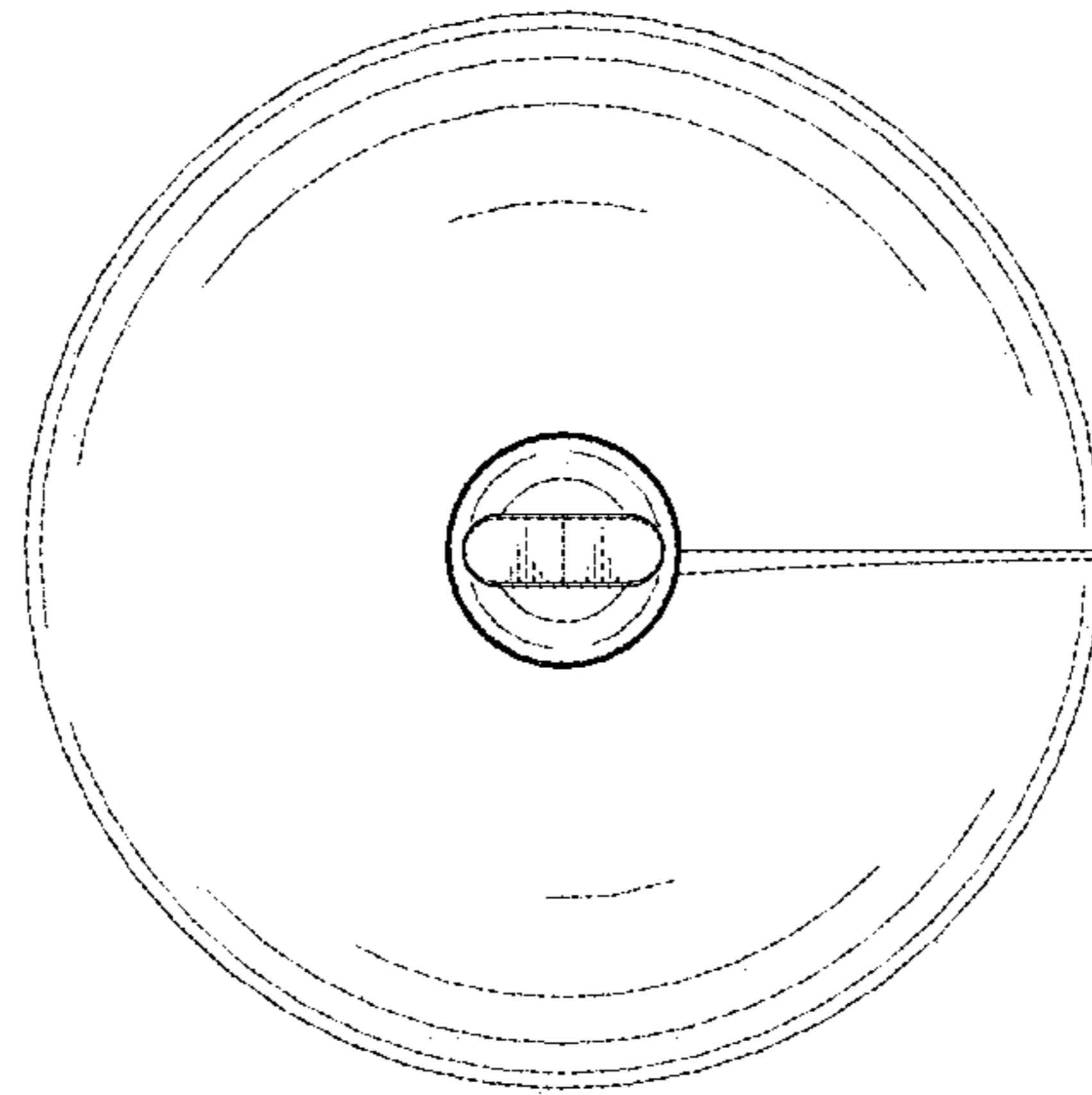


FIG. 8