



US00D981807S

(12) **United States Design Patent**  
**Zhong**

(10) **Patent No.:** **US D981,807 S**

(45) **Date of Patent:** **\*\* Mar. 28, 2023**

(54) **HOLDER TRAY FOR COFFEE CAPSULES**

(56) **References Cited**

(71) Applicant: **XIAMEN LEGENDA ELECTRONIC TECHNOLOGY COMPANY LIMITED**, Xiamen (CN)

U.S. PATENT DOCUMENTS

D271,655 S \* 12/1983 Numbers ..... D7/707  
D627,611 S \* 11/2010 Cash ..... D6/677.2  
D879,562 S \* 3/2020 Zhong ..... D7/600.4

(72) Inventor: **Wenda Zhong**, Xiamen (CN)

OTHER PUBLICATIONS

(73) Assignee: **XIAMEN LEGENDA ELECTRONIC TECHNOLOGY COMPANY LIMITED**, Xiamen (CN)

Amazon.com, EVERIE Rotary Coffee Pod Capsule Carousel Holder, ASIN: B08YJHDHMZ, 9 pages, date found on Amazon Dec. 15, 2022 (Year: 2022).\*

(\*\*) Term: **15 Years**

\* cited by examiner

(21) Appl. No.: **29/801,233**

*Primary Examiner* — Terry A Wallace

(22) Filed: **Jul. 28, 2021**

(74) *Attorney, Agent, or Firm* — Bayramoglu Law Offices LLC

(30) **Foreign Application Priority Data**

Feb. 3, 2021 (CN) ..... 202130078882.4

(51) **LOC (14) Cl.** ..... **07-99**

(52) **U.S. Cl.**  
USPC ..... **D7/707; D7/600.1**

(58) **Field of Classification Search**  
USPC ..... D7/600.1–600.4, 701–708; D3/304, D3/306–314

CPC ..... A47B 73/002; A47B 73/00; A47B 73/006; A47B 75/00; A47B 55/00; A47B 49/004; A47F 7/00; A47F 7/0071; A47F 7/0078; A47F 5/00; A47F 5/01; A47F 5/14; A47F 5/13; A47J 47/00; A47J 47/16; B65D 7/20; B65D 21/0211; B65D 21/00; B65D 7/14; B65D 7/00; A47L 19/04

See application file for complete search history.

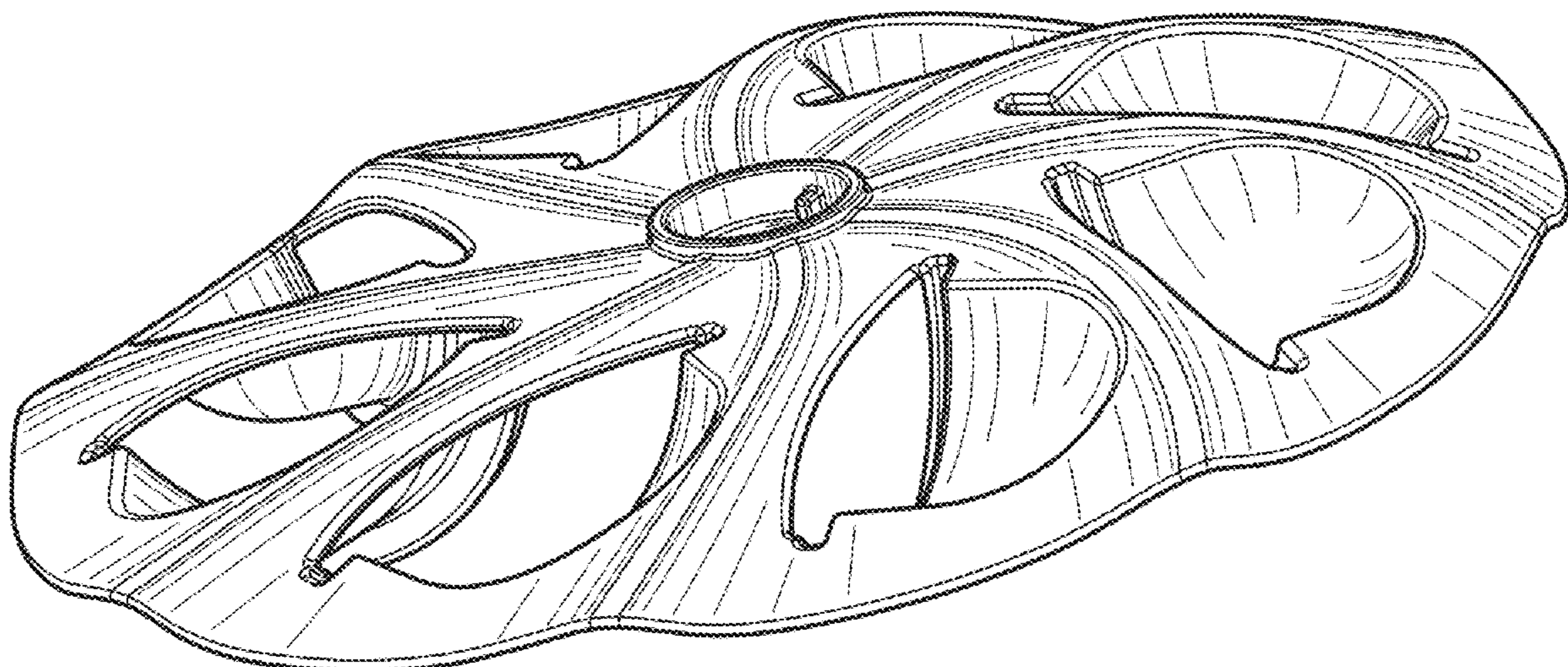
(57) **CLAIM**

The ornamental design for a holder tray for coffee capsules, as shown and described.

**DESCRIPTION**

FIG. 1 is a top perspective view of a holder tray for coffee capsules showing my new design;  
FIG. 2 is a front view thereof, a rear view being identical to the front view;  
FIG. 3 is a left side view thereof, a right side view being identical to the left side view;  
FIG. 4 is a top view thereof;  
FIG. 5 is a bottom view thereof; and,  
FIG. 6 is a bottom perspective view thereof.

**1 Claim, 6 Drawing Sheets**



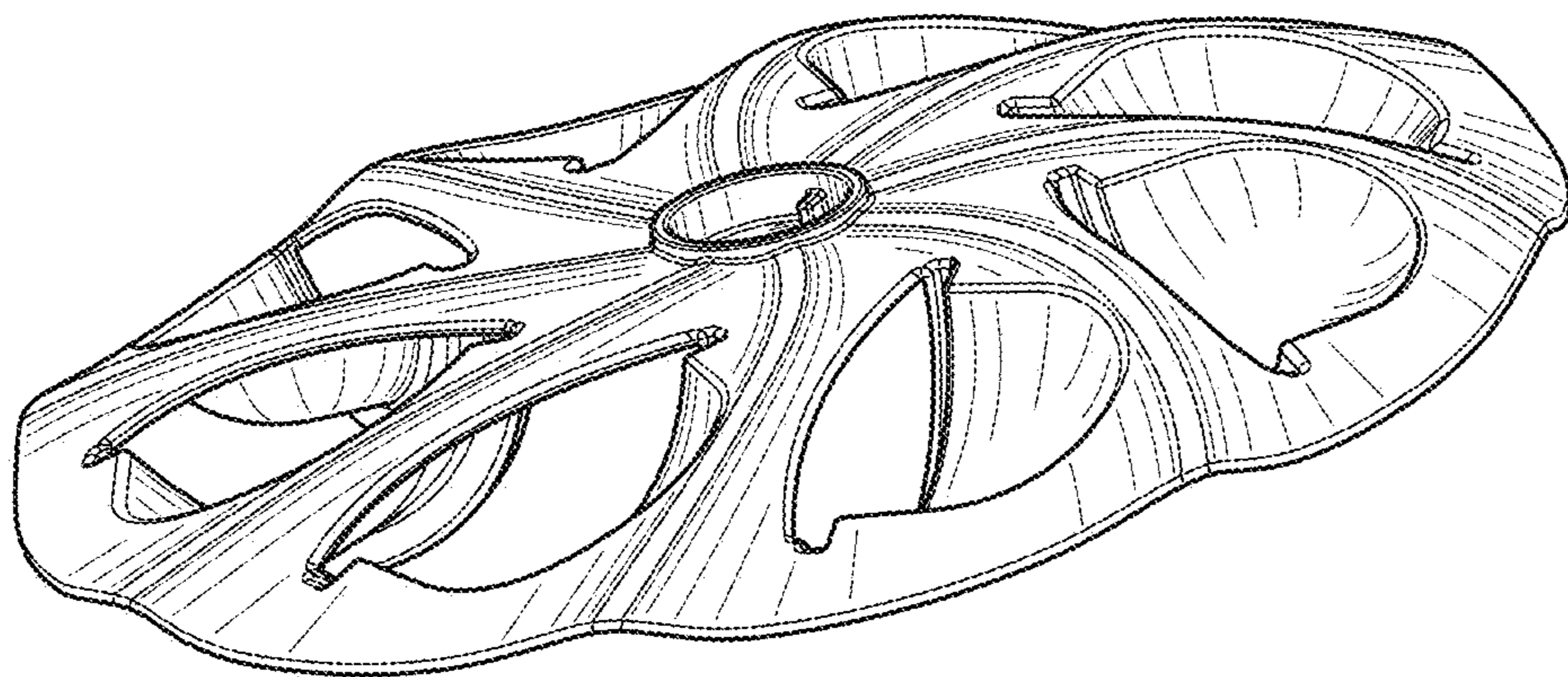


Fig. 1

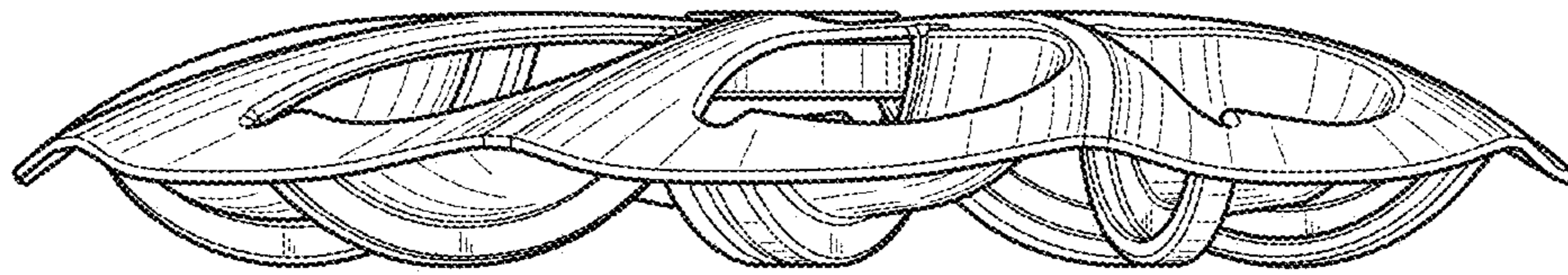


Fig. 2

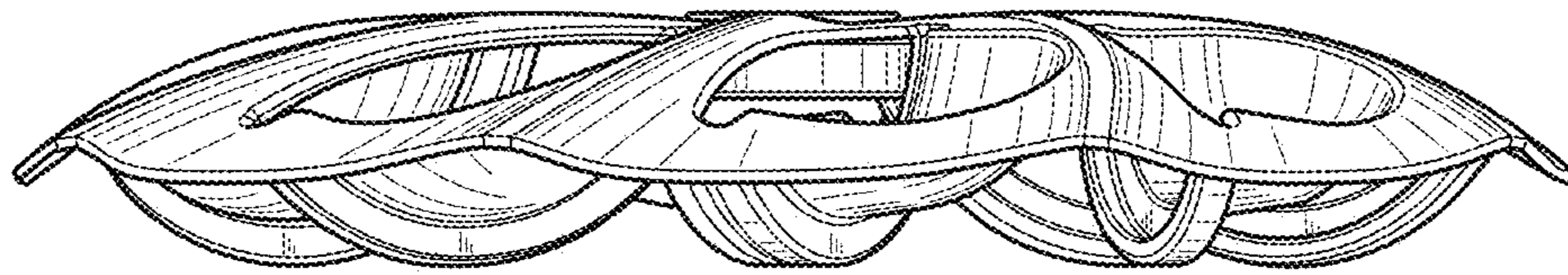


Fig. 3



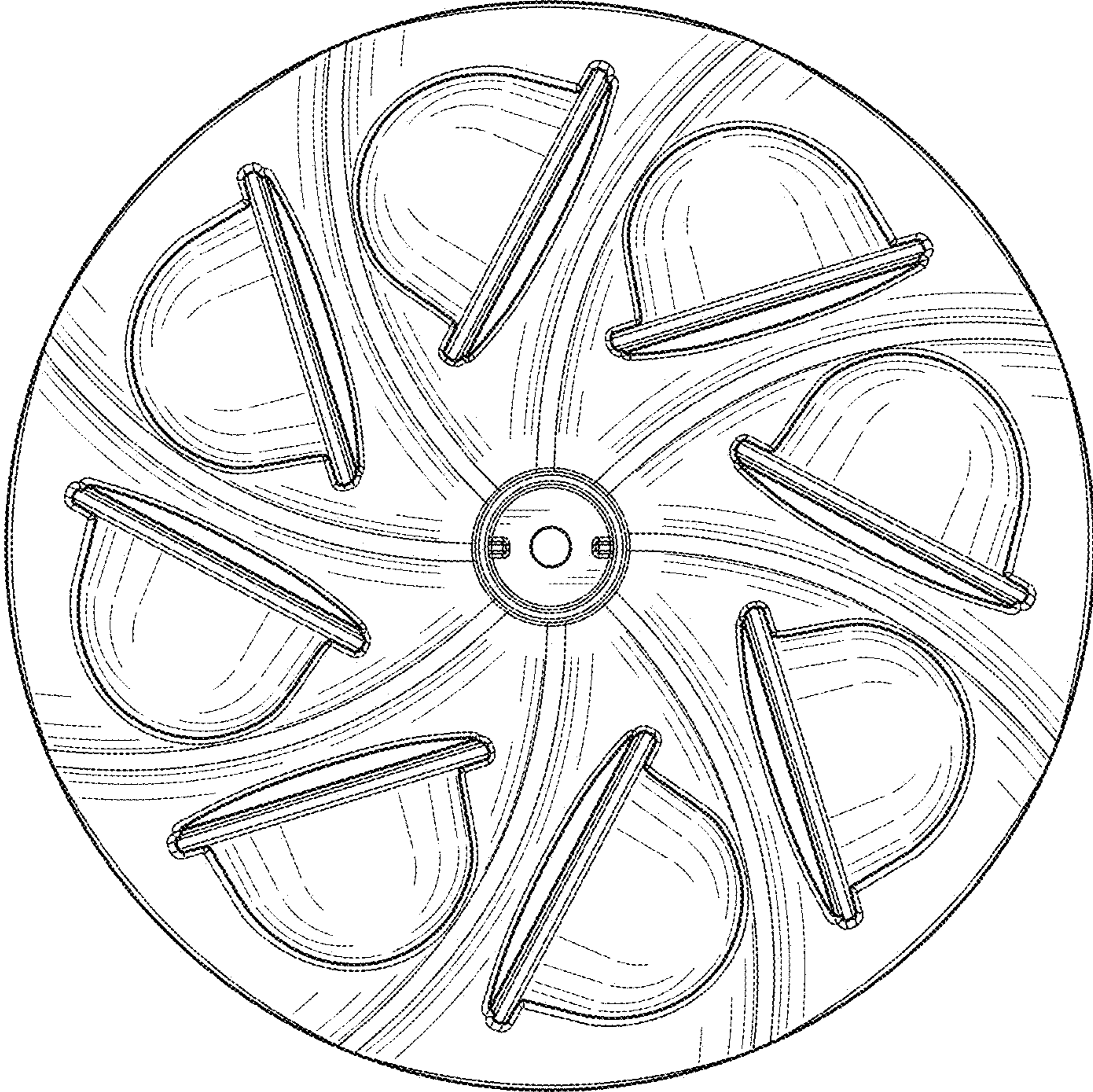


Fig. 4

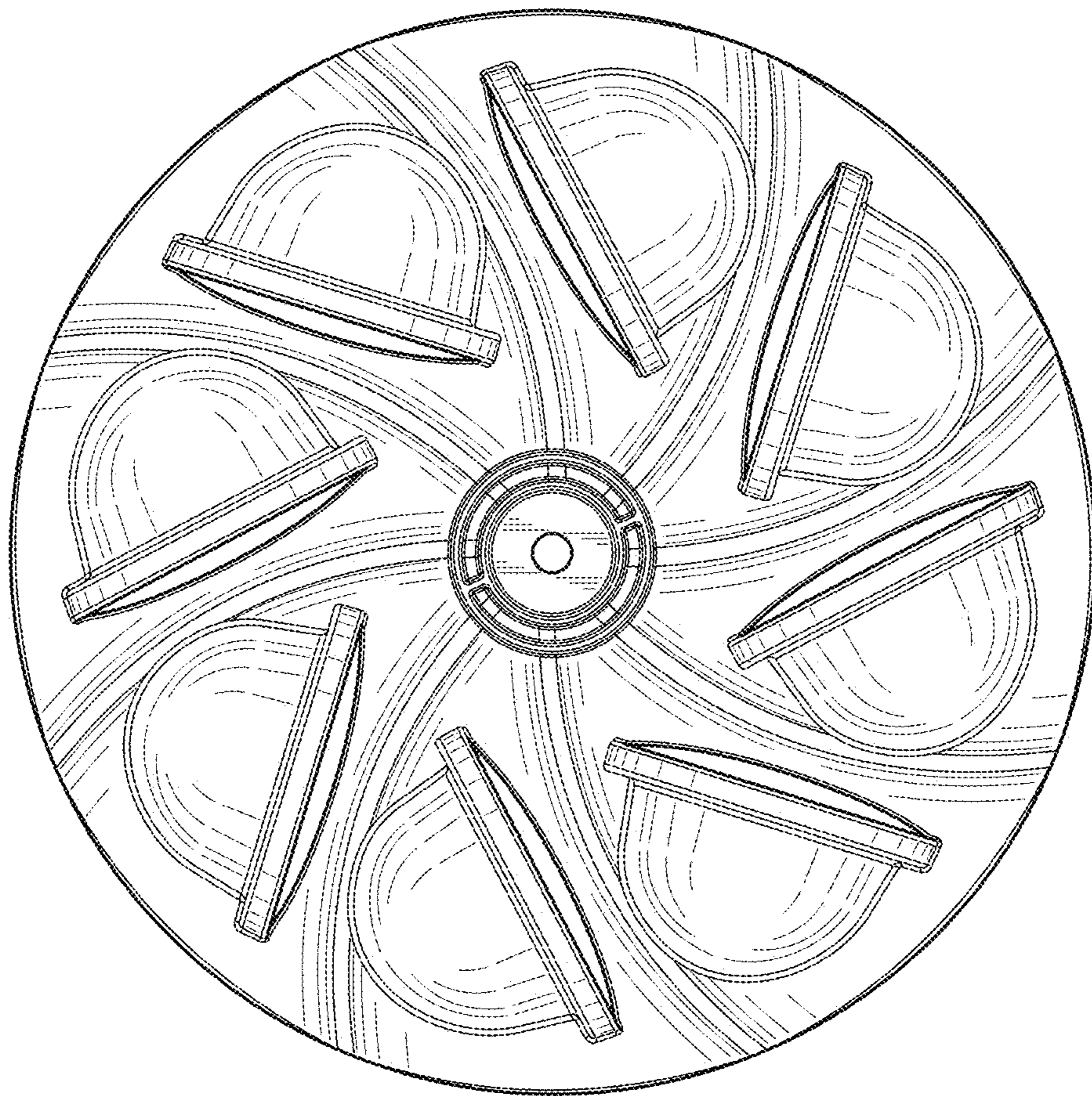


Fig. 5



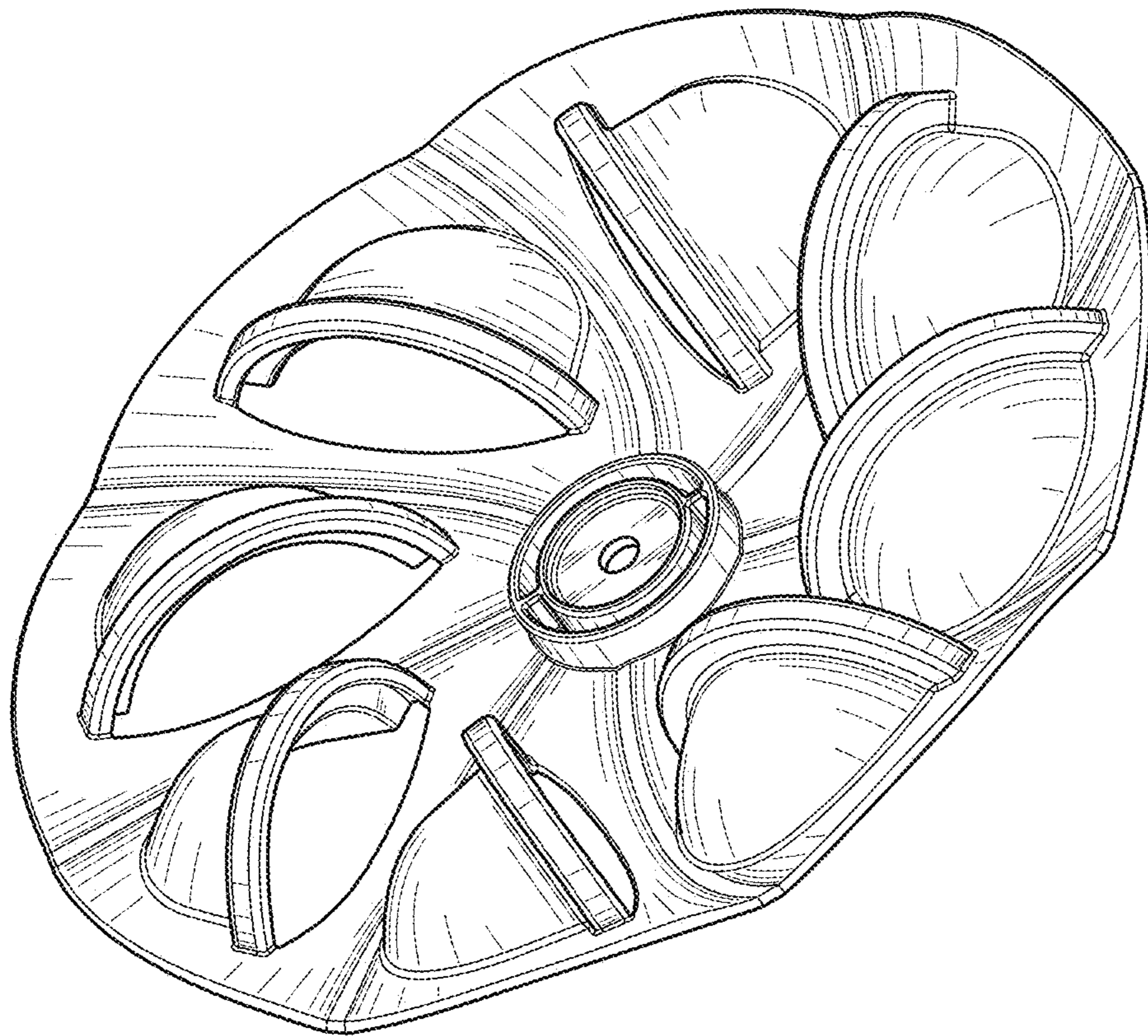


Fig. 6