



US00D981805S

(12) **United States Design Patent**  
**Shangguan**

(10) **Patent No.:** **US D981,805 S**  
(45) **Date of Patent:** **\*\* Mar. 28, 2023**

(54) **FRUIT BASKET**

(71) Applicant: **Bo Shangguan**, Shenzhen (CN)

(72) Inventor: **Bo Shangguan**, Shenzhen (CN)

(\*\*) Term: **15 Years**

(21) Appl. No.: **29/769,744**

(22) Filed: **Feb. 8, 2021**

(51) **LOC (14) Cl.** ..... **07-99**

(52) **U.S. Cl.**  
USPC ..... **D7/704; D7/307**

(58) **Field of Classification Search**  
USPC ..... D7/601, 600.1–600.4, 701–78; D3/304,  
D3/306–314; D6/675.5, 677.5, 676.5,  
D6/675.2, 678.4, 680.3, 683.1  
CPC ..... A47F 7/00; A47F 7/0071; A47F 7/0078;  
A47F 5/00; A47F 5/01; A47F 5/14; A47F  
5/13; A47B 75/00; A47B 55/00; A47B  
55/02; A47J 47/00; A47J 47/16; B65D  
7/20; B65D 7/00; B65D 7/14; B65D  
9/00; B65D 9/10; B65D 11/00; B65D  
11/14; B65D 21/0211; B65D 21/00; A47L  
19/04

See application file for complete search history.

(56) **References Cited**

**U.S. PATENT DOCUMENTS**

1,445,259 A \* 2/1923 Wiseloge ..... B65D 7/20  
220/491  
D507,108 S \* 7/2005 Suero, Jr. .... D6/513  
D629,656 S \* 12/2010 Goodman ..... D7/601  
D637,000 S \* 5/2011 Goodman ..... D3/306  
D664,006 S \* 7/2012 Goodman ..... D7/601  
D760,515 S \* 7/2016 Snider ..... D6/675.2

D833,223 S \* 11/2018 Wilson ..... D7/601  
D848,150 S \* 5/2019 Goodman ..... D3/306  
D918,679 S \* 5/2021 Yao ..... D3/307  
D969,911 S \* 11/2022 Wang ..... D19/114

**OTHER PUBLICATIONS**

Amazon.com, MAHUEEOL 2 Tier Countertop Fruit Basket, ASIN: B09TR6VW2V, 9 pages, date first available Jun. 20, 2022 (Year: 2022).\*

Amazon.com, Shin-Yik, 2 Tier Fruit Basket Metal Fruit Bowl, ASIN: B0953Y2GFM, 8 pages, date first available May 17, 2021 (Year: 2021).\*

Amazon.com, LamChyar 2 Tier Fruit Basket, ASIN: BOBG8V3M87, 8 pages, date first available Sep. 23, 2022 (Year: 2022).\*

\* cited by examiner

*Primary Examiner* — Terry A Wallace

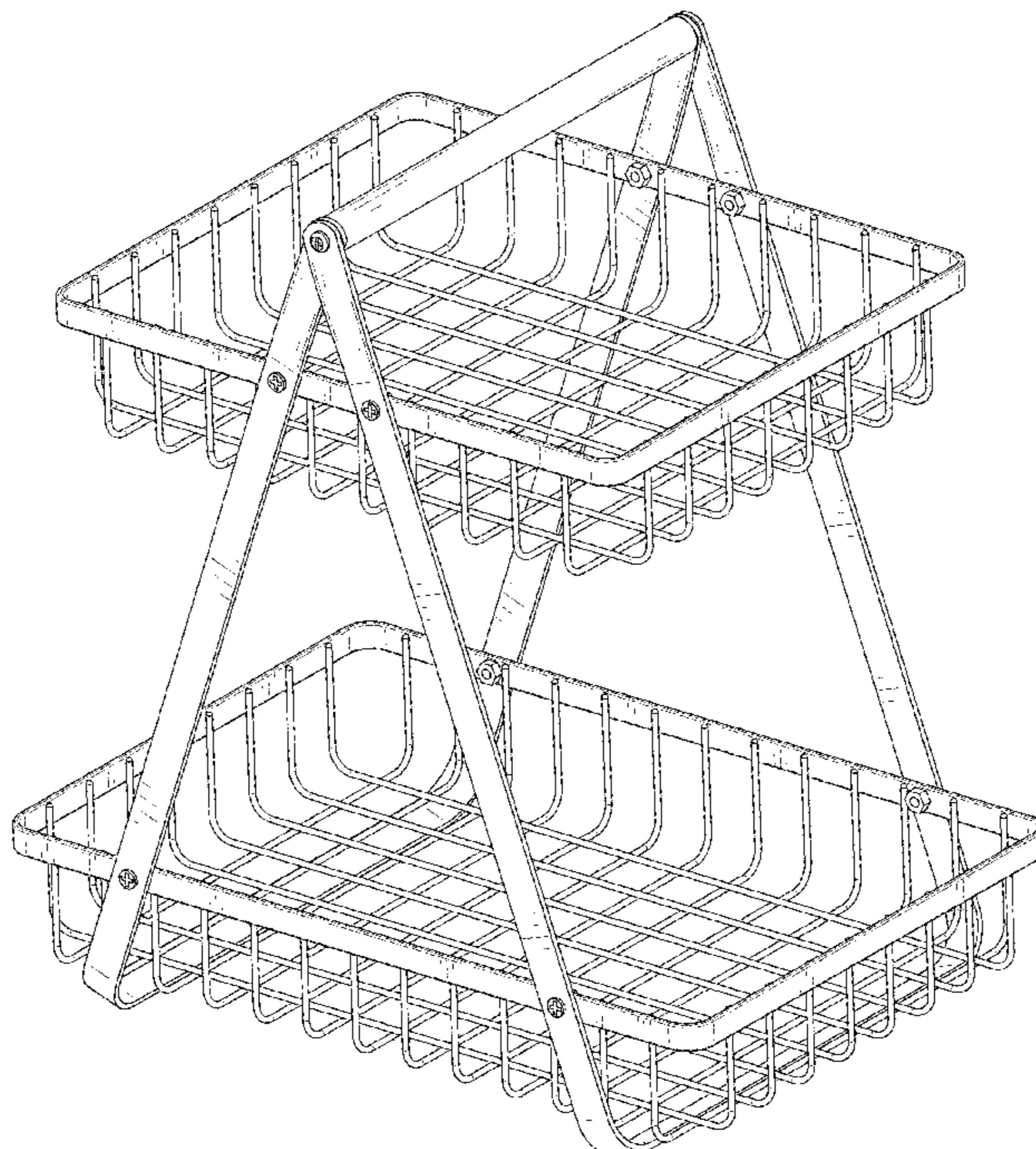
(57) **CLAIM**

The ornamental design for a fruit basket, as shown and described.

**DESCRIPTION**

FIG. 1 is a perspective view of a fruit basket showing my new design;  
FIG. 2 is another perspective view thereof;  
FIG. 3 is a front elevational view thereof;  
FIG. 4 is a rear elevational view thereof;  
FIG. 5 is a left side elevational view thereof;  
FIG. 6 is a right side elevational view thereof;  
FIG. 7 is a top plan view thereof; and,  
FIG. 8 is a bottom plan view thereof.

**1 Claim, 8 Drawing Sheets**



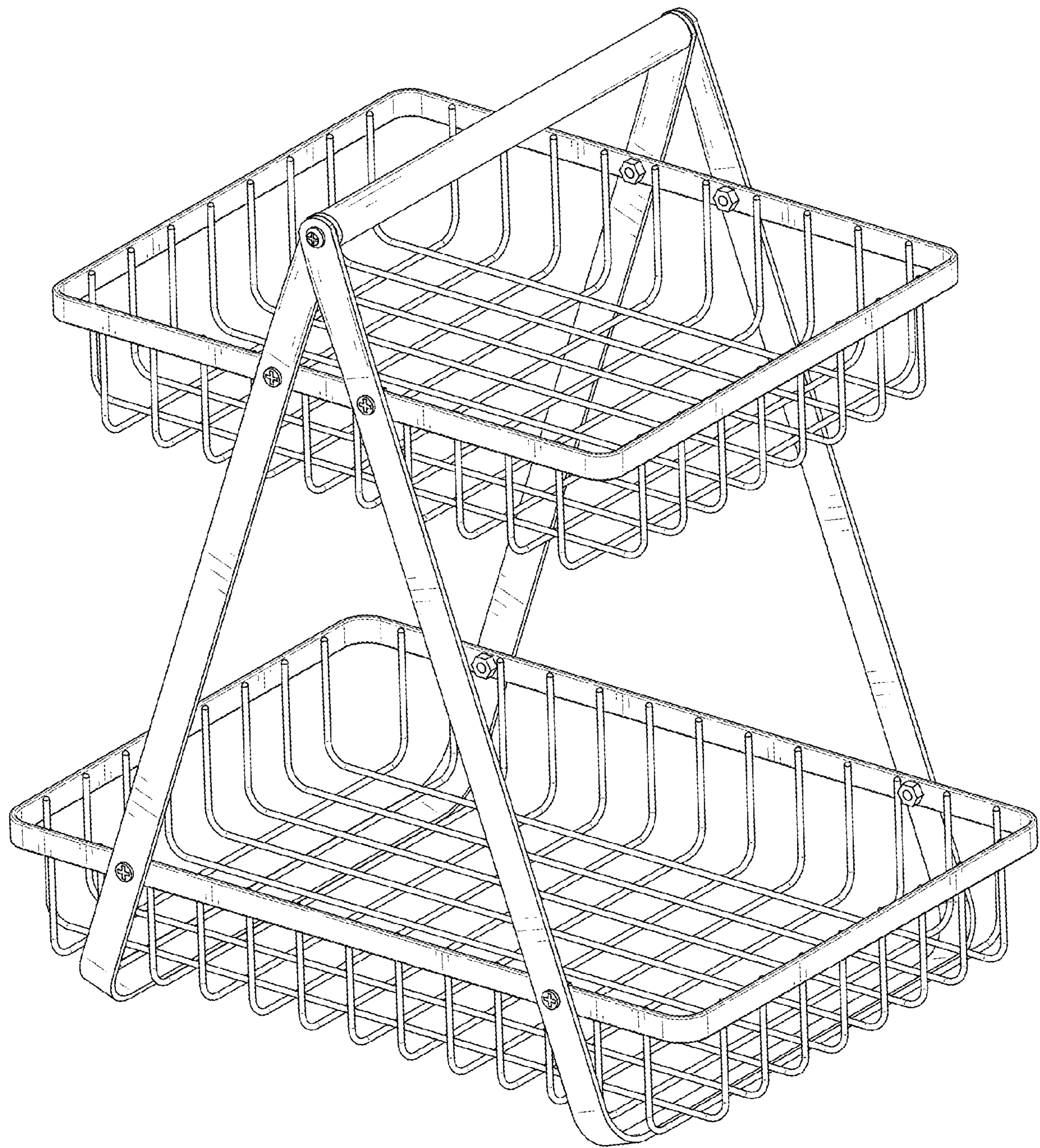


FIG. 1



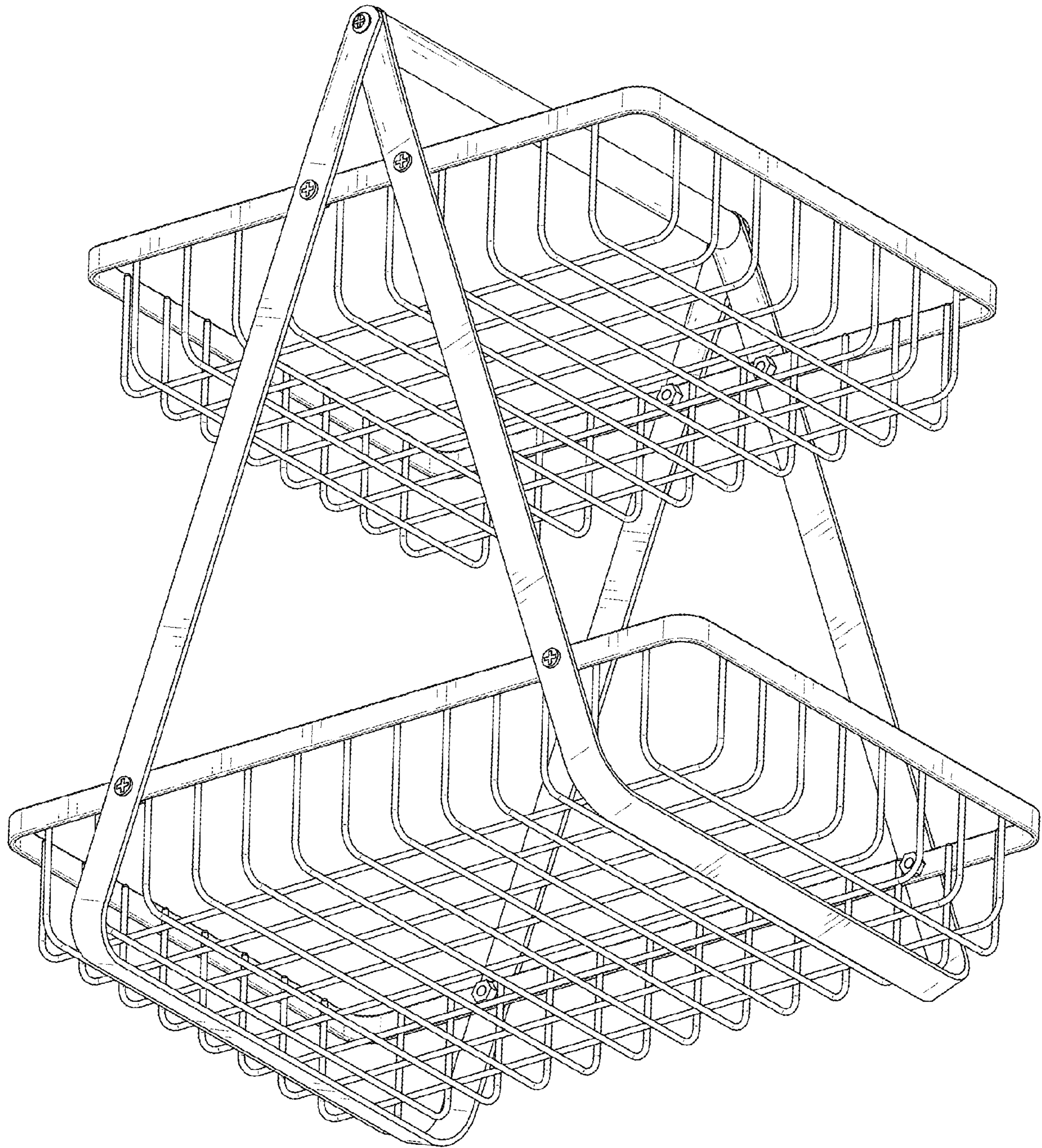


FIG. 2

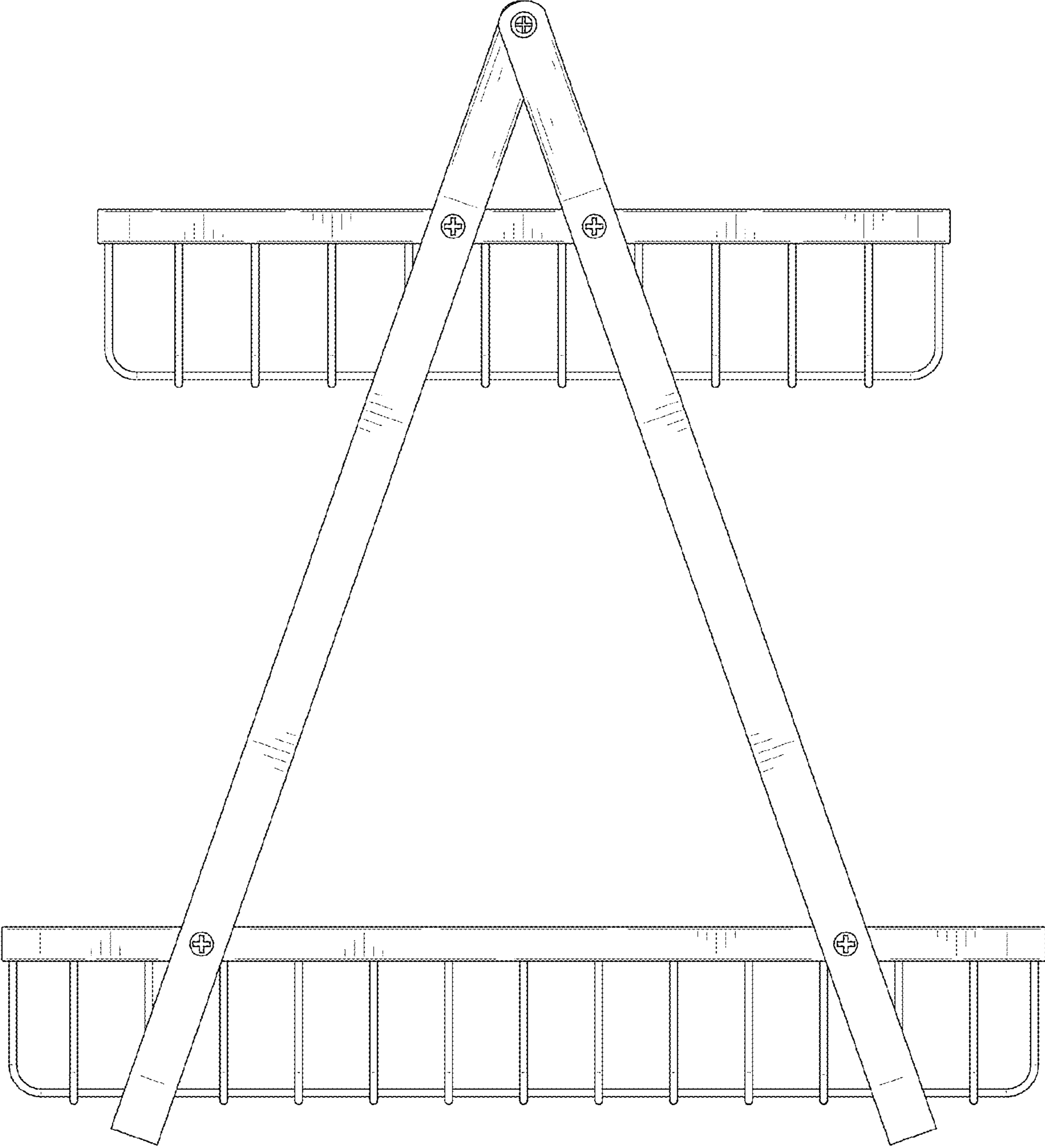


FIG. 3

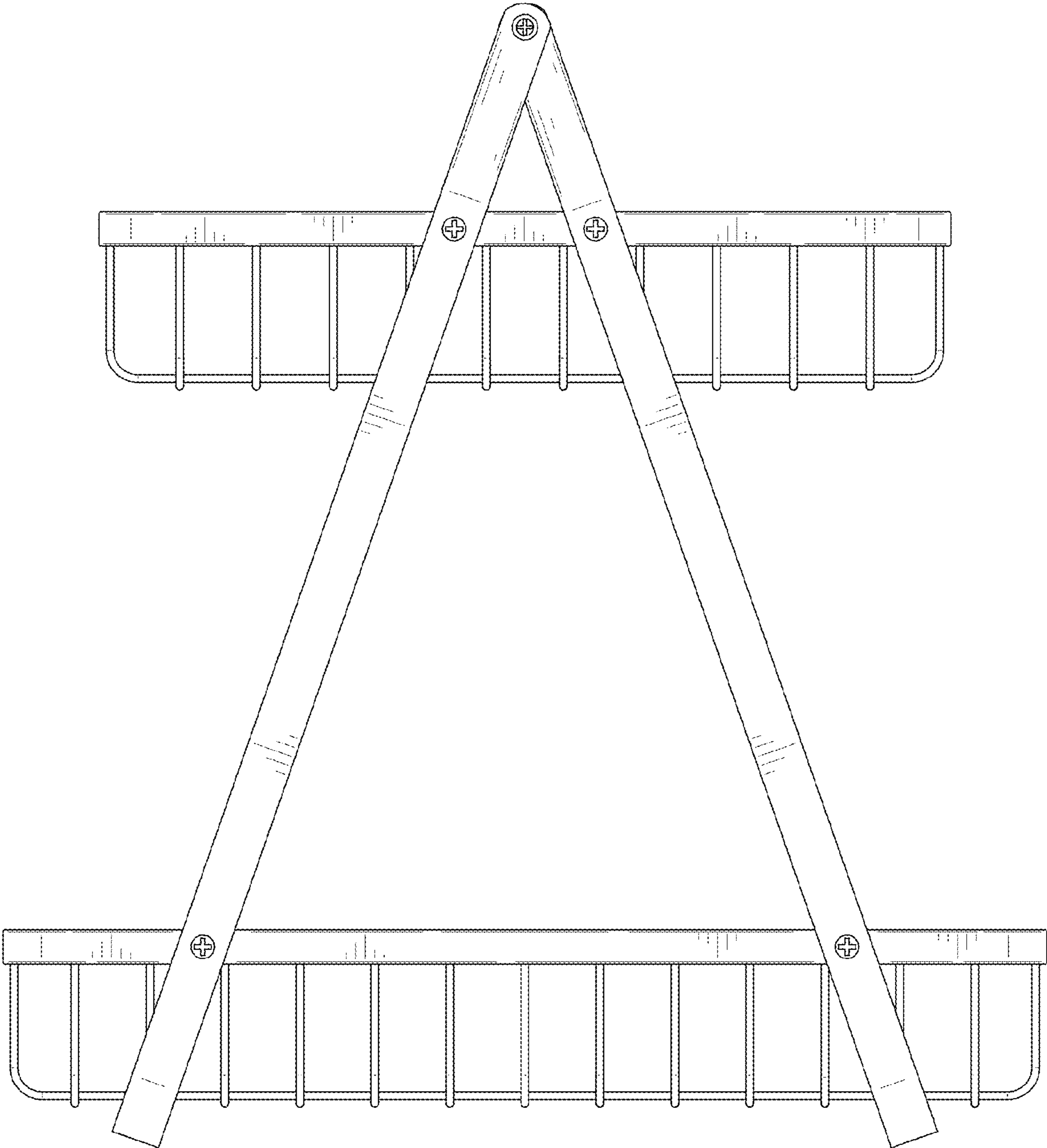


FIG. 4

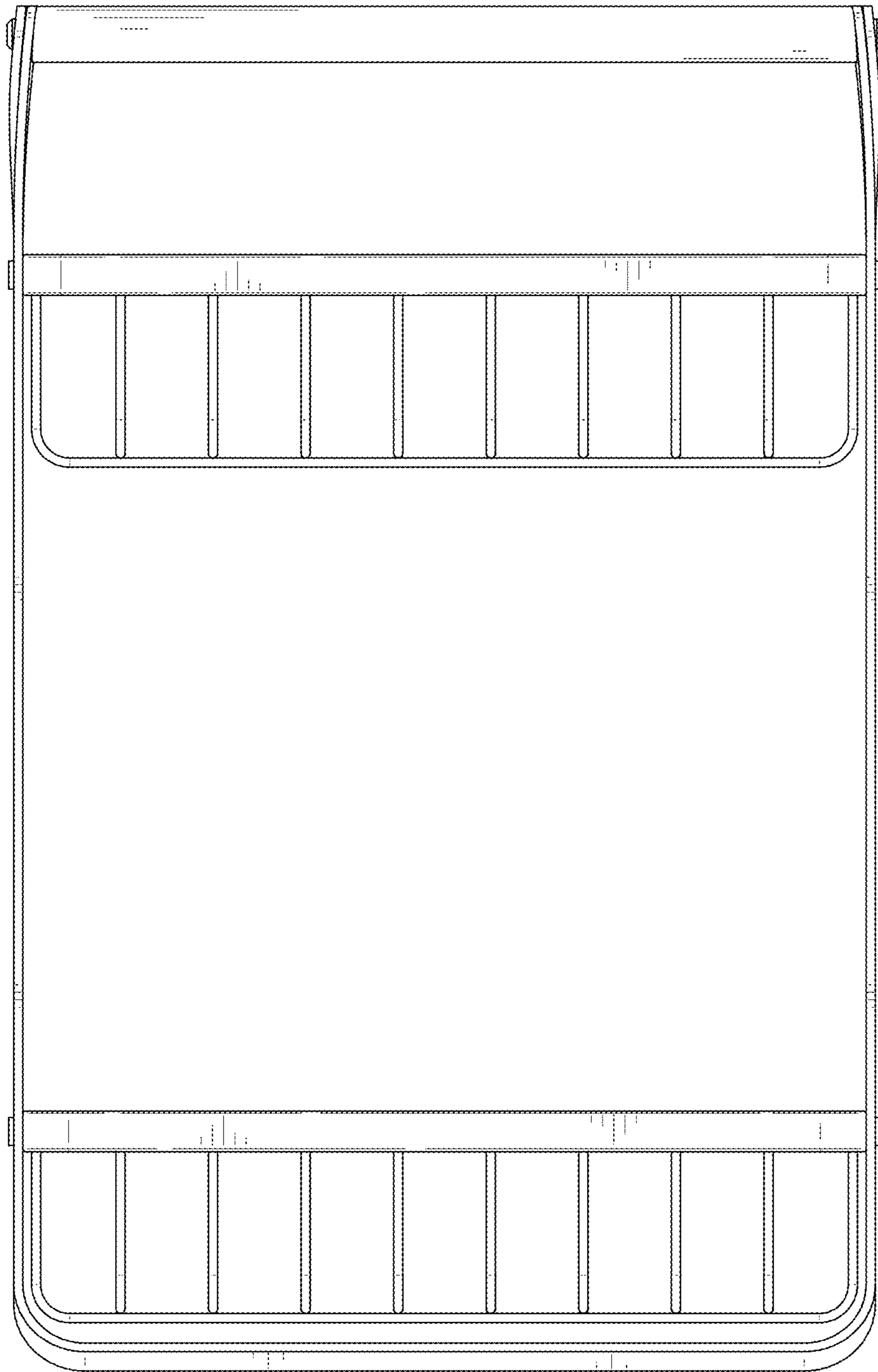


FIG. 5



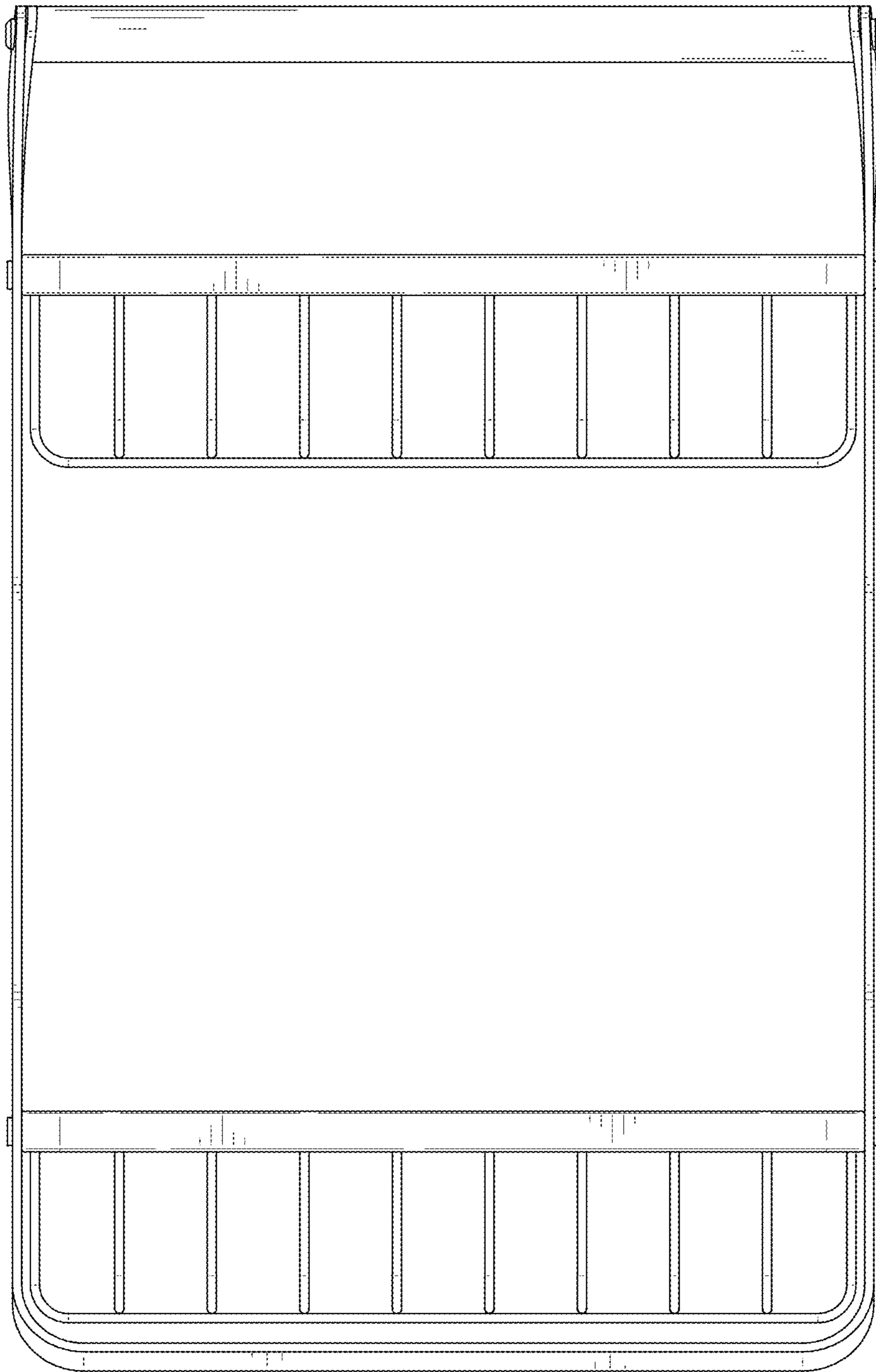


FIG. 6

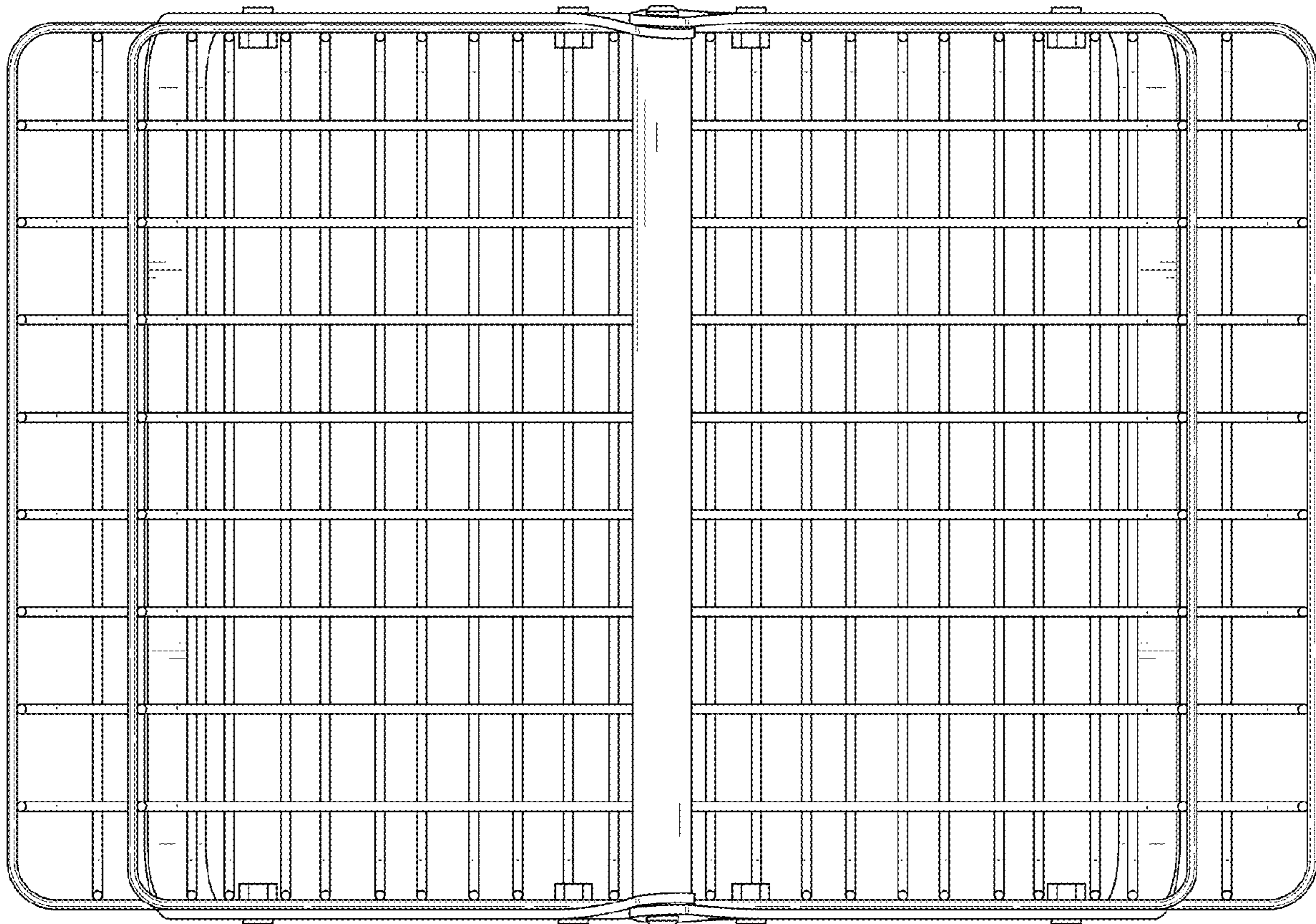


FIG. 7



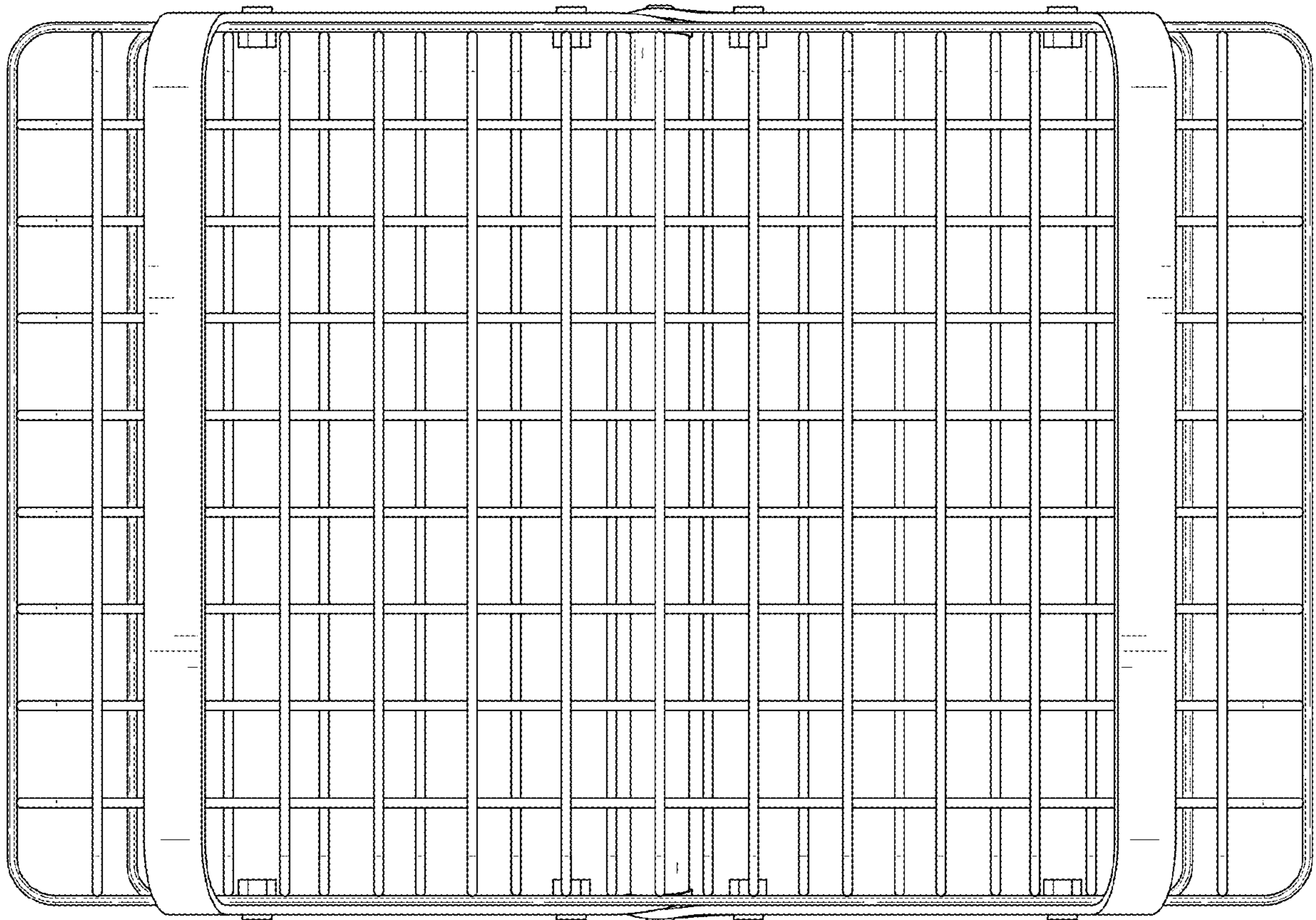


FIG. 8