



US00D981804S

(12) **United States Design Patent**
Bell

(10) **Patent No.:** **US D981,804 S**

(45) **Date of Patent:** **** Mar. 28, 2023**

(54) **COMBINED FOOD AND BEVERAGE CONTAINER**

(71) Applicant: **Lisa Renee Bell**, Oxon Hill, MD (US)

(72) Inventor: **Lisa Renee Bell**, Oxon Hill, MD (US)

(**) Term: **15 Years**

(21) Appl. No.: **29/763,994**

(22) Filed: **Dec. 28, 2020**

(51) **LOC (14) Cl.** **07-06**

(52) **U.S. Cl.**
USPC **D7/703; D7/629**

(58) **Field of Classification Search**
USPC D7/701-708, 619.1-625, 629, 630,
D7/553.1-553.5, 550.1; D9/424-432
CPC A47G 19/06; A47G 19/08; A47G 19/065;
A47G 19/00; A47G 19/02; A47G 23/02;
A47G 23/06; B65D 1/36; B65D 43/0212;
B65D 45/20; A47J 47/14

See application file for complete search history.

(56) **References Cited**

U.S. PATENT DOCUMENTS

- D285,413 S * 9/1986 Carlson D9/425
- 4,643,381 A * 2/1987 Levy B60N 3/002
248/500
- 4,819,824 A * 4/1989 Longbottom B65D 43/0206
D7/629
- 5,857,583 A * 1/1999 Chantaca A47G 19/065
220/555
- 6,129,232 A * 10/2000 Williams A47G 23/06
220/521
- D830,796 S * 10/2018 Chen D7/703

- D900,640 S * 11/2020 Huang D9/425
- D904,139 S * 12/2020 Bell D7/703
- 2005/0035125 A1 * 2/2005 Bae B65D 45/20
220/784
- 2006/0283866 A1 * 12/2006 Mendenhall A47G 19/06
206/557
- 2014/0021206 A1 * 1/2014 Vernon B65D 25/04
220/521
- 2014/0103033 A1 * 4/2014 Beckman B65D 1/34
220/4.01
- 2016/0287024 A1 * 10/2016 Bach A47G 23/0625

* cited by examiner

Primary Examiner — Terry A Wallace

(74) *Attorney, Agent, or Firm* — Maier & Maier, PLLC

(57) **CLAIM**

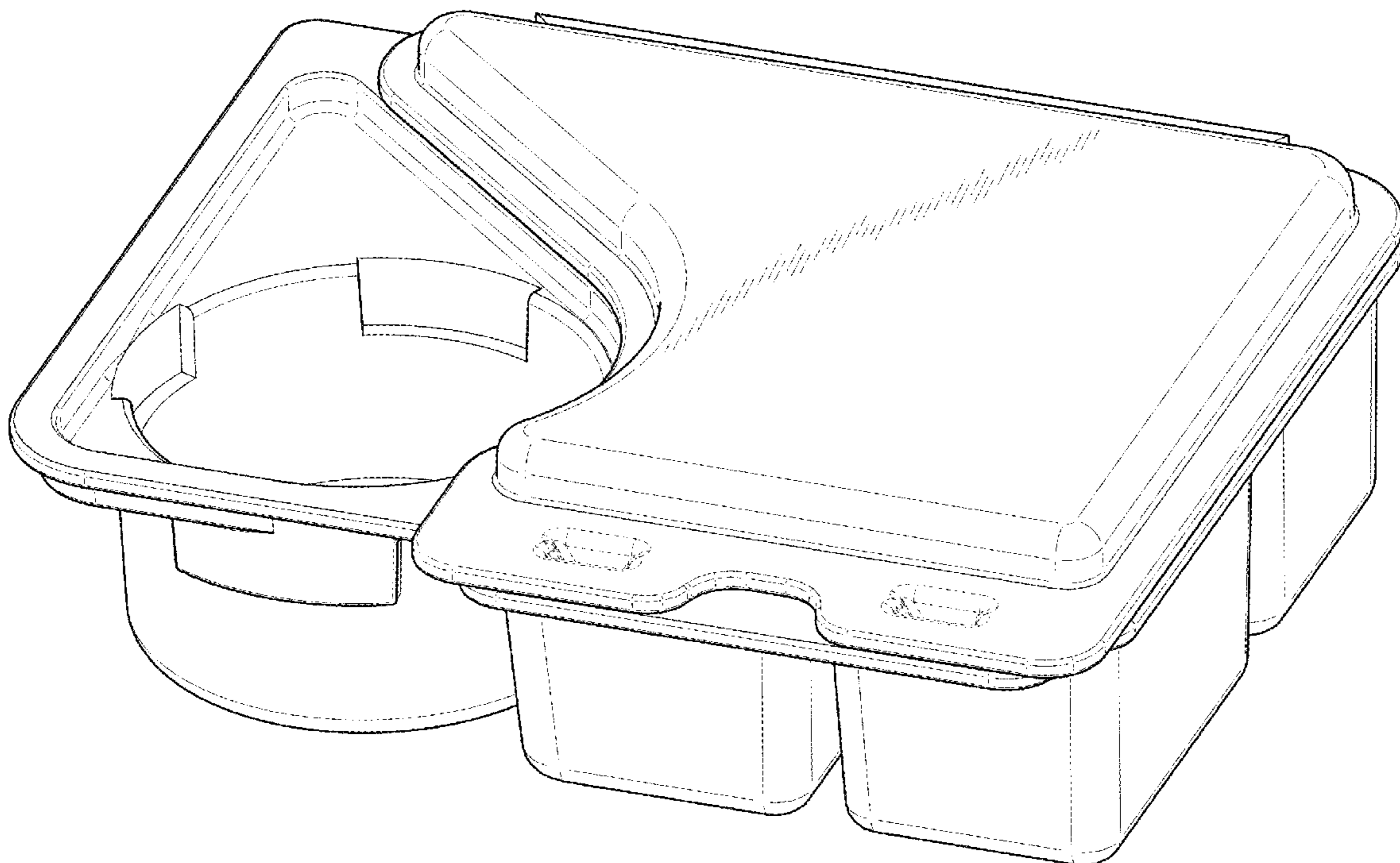
The ornamental design for a combined food and beverage container, as shown and described.

DESCRIPTION

FIG. 1 is a perspective view of a combined food and beverage container, showing my design;
 FIG. 2 is a top plan view thereof;
 FIG. 3 is a front elevational view thereof;
 FIG. 4 is a rear elevational view thereof;
 FIG. 5 is a left side elevational view thereof;
 FIG. 6 is a right side elevational view thereof; and,
 FIG. 7 is a bottom plan view thereof.

The broken line showing in the Figures represents portions of the combined food and beverage container and forms no part of the claimed design.

1 Claim, 5 Drawing Sheets



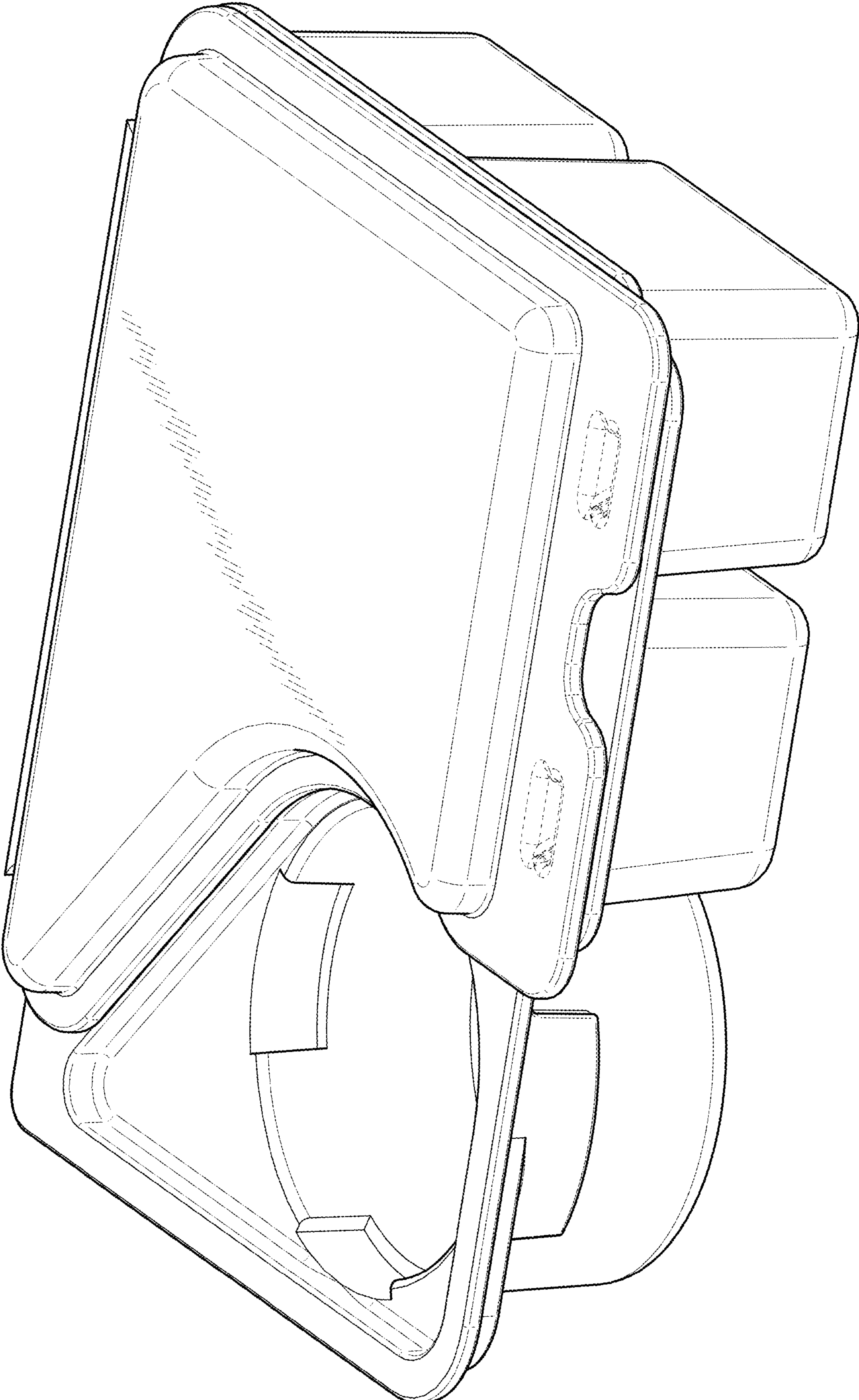


Fig. 1

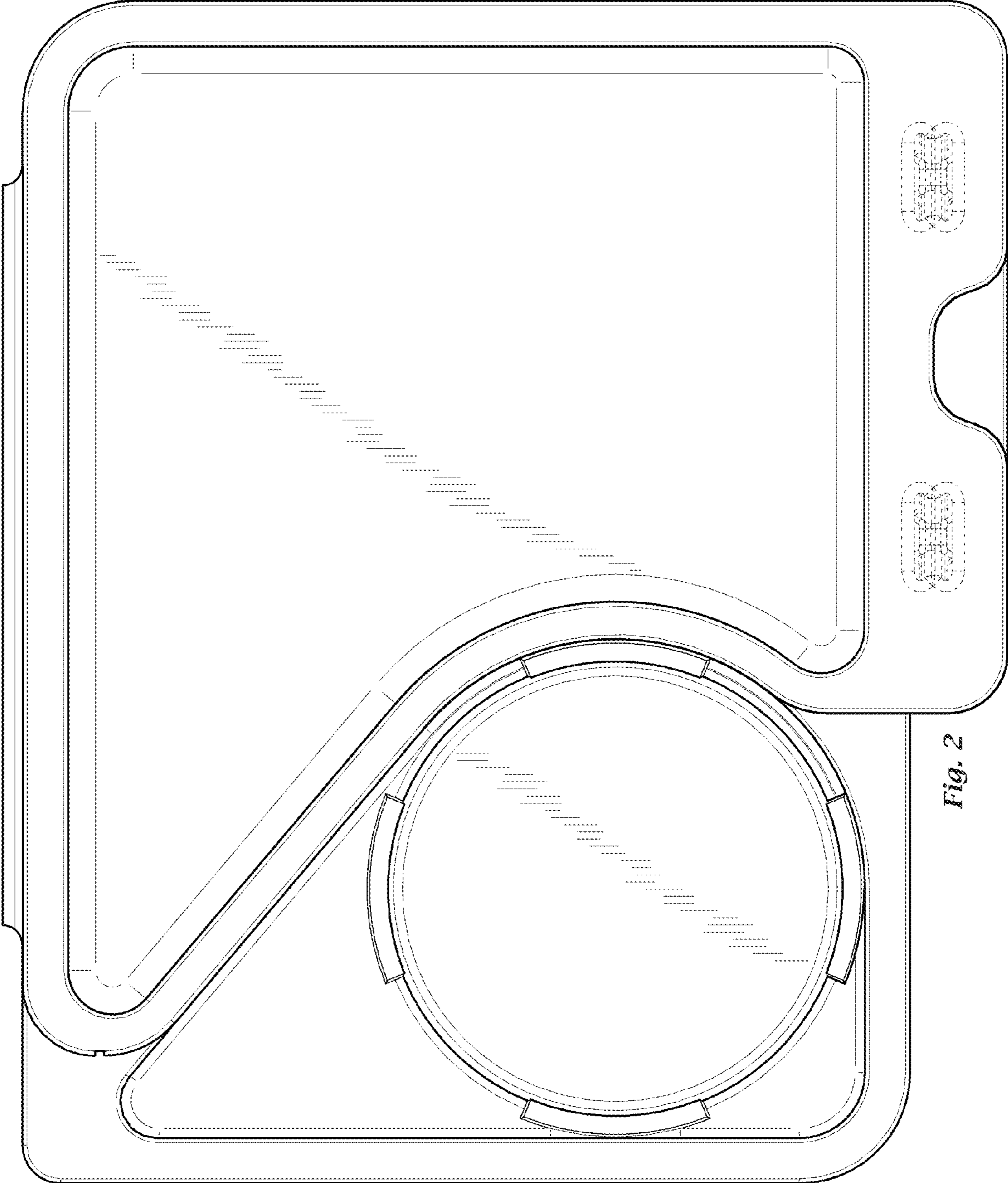


Fig. 2

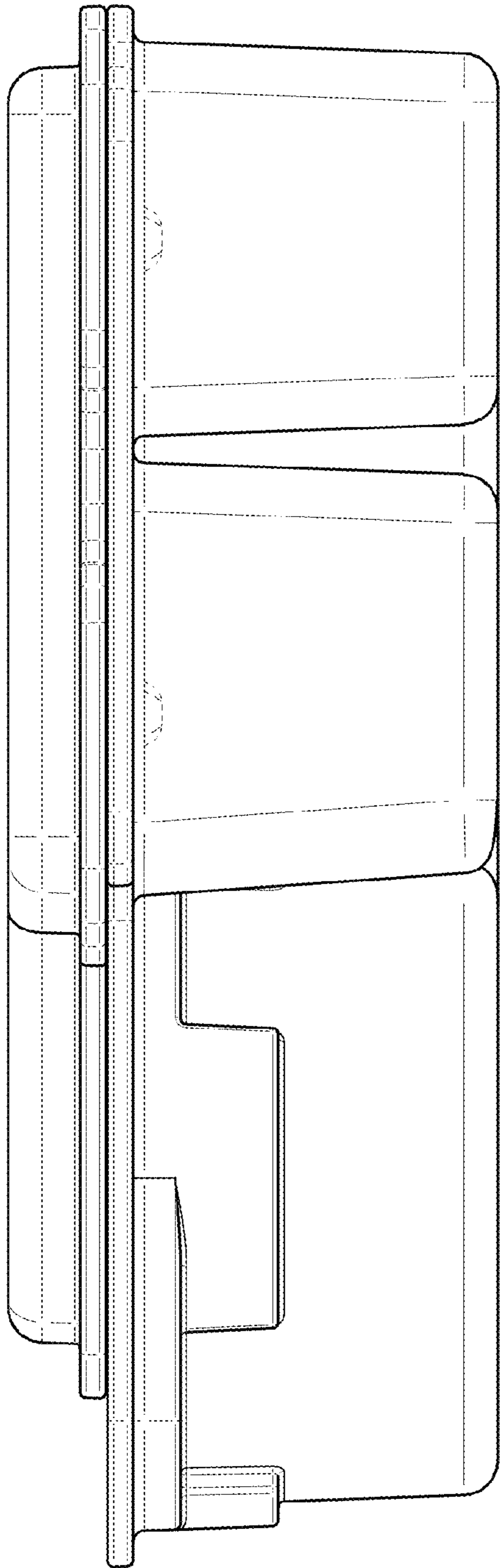


Fig. 3

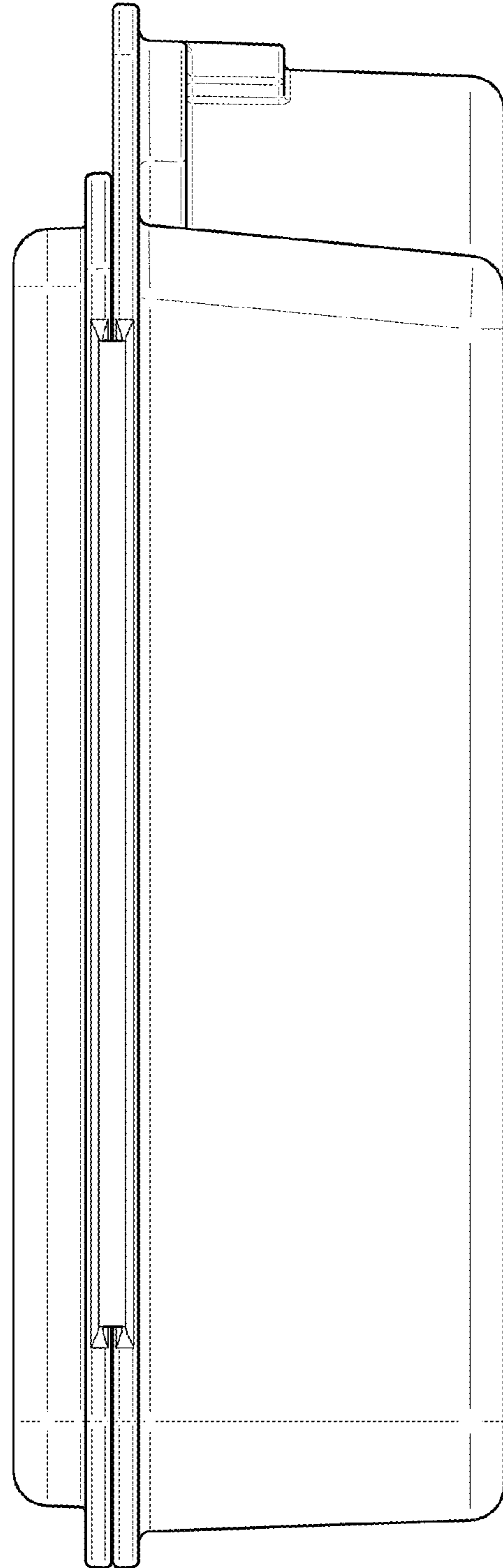


Fig. 4

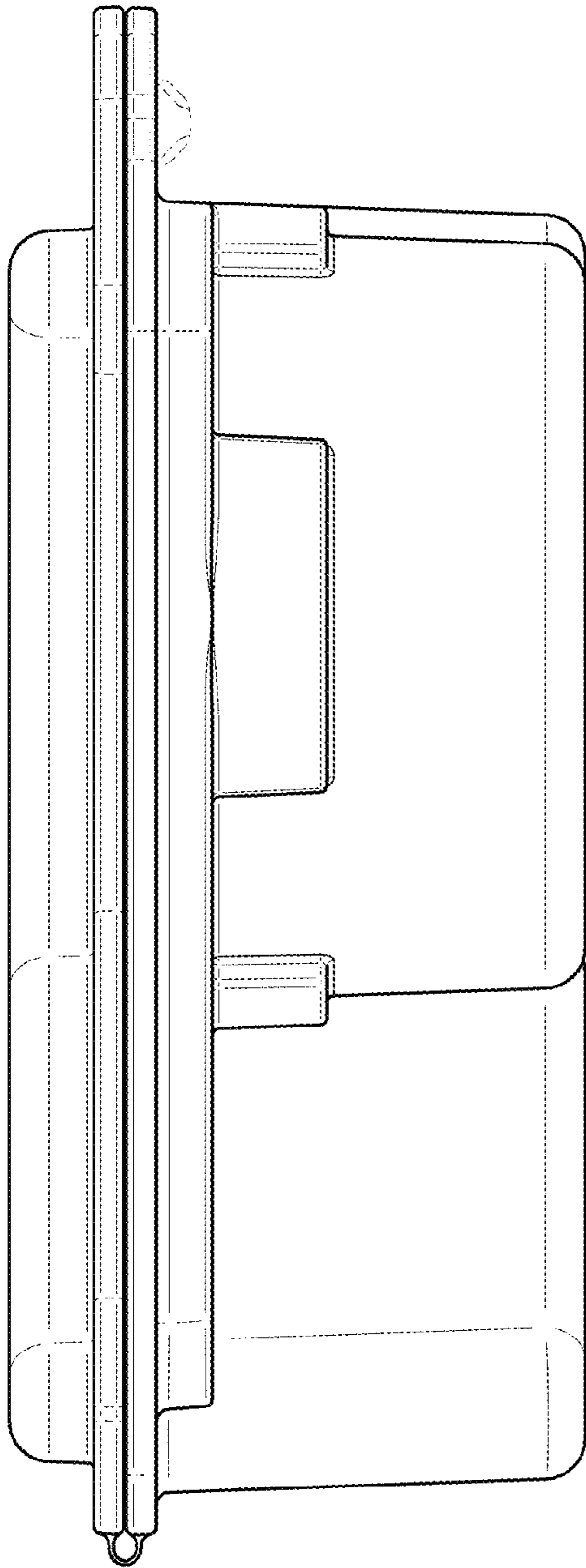


Fig. 5

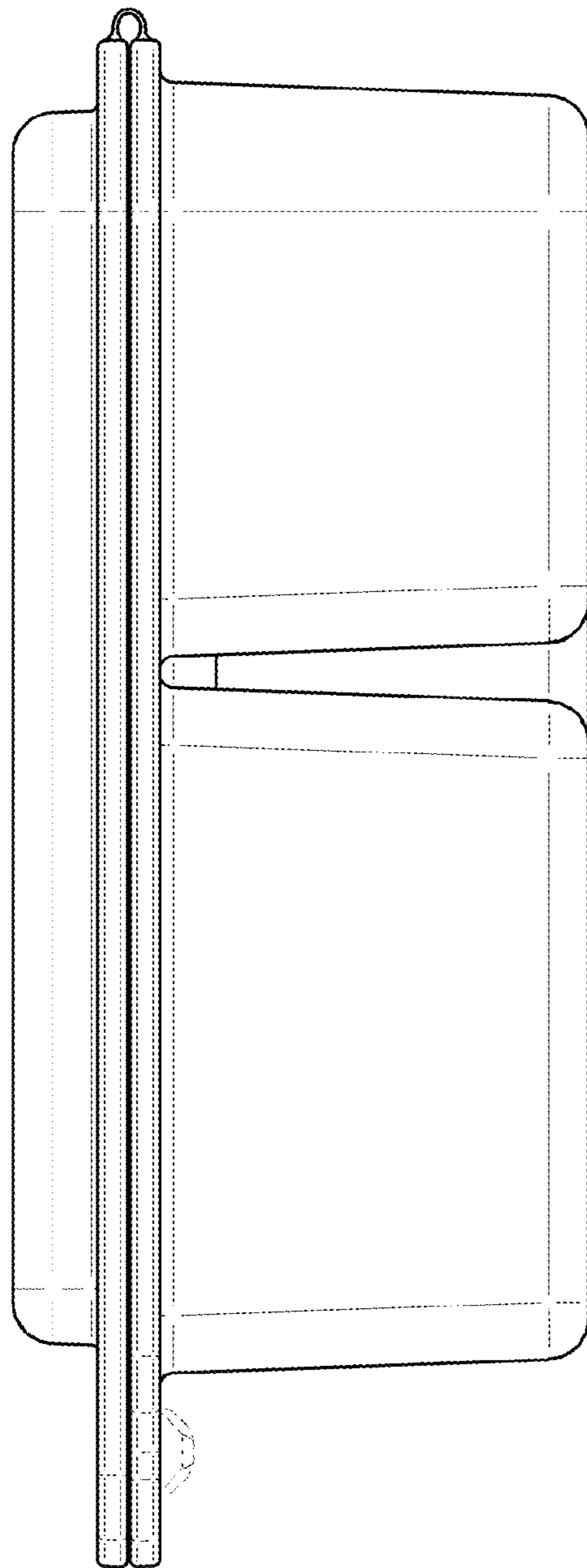


Fig. 6

