



US00D981803S

(12) **United States Design Patent**
Langley et al.

(10) **Patent No.:** **US D981,803 S**
(45) **Date of Patent:** **** Mar. 28, 2023**

(54) **SEALABLE SPOON**

- (71) Applicant: **FREEDOMWARE LLC**, Thorntown, IN (US)
- (72) Inventors: **Brock Warner Langley**, Remington, IN (US); **Zackary Ryan Roth**, Flora, IN (US); **Jackson Alan Williams**, Thorntown, IN (US)
- (73) Assignee: **FREEDOMWARE LLC**, Thorntown, IN (US)
- (**) Term: **15 Years**
- (21) Appl. No.: **29/798,820**
- (22) Filed: **Jul. 10, 2021**
- (51) **LOC (14) Cl.** **07-03**
- (52) **U.S. Cl.**
USPC **D7/653**; D7/642
- (58) **Field of Classification Search**
USPC D7/642-645, 653; D30/123.3, 124, 125, D30/129, 134, 136, 137, 141, 142, 147, D30/148, 149, 150, 324
CPC ... A01D 9/02; A01D 9/04; A01D 9/06; A47G 19/16; A47G 19/28; A47G 21/00; A47G 21/004; A47G 21/005; A47G 21/02; A47G 21/023; A47G 21/04; A47G 21/06; A47G 21/08; A47J 43/28; A47J 43/281; A47J 43/282; A61B 17/244; A61F 13/10; A61J 7/0023; B25G 1/00; B25G 1/01; B25G 1/02; B25G 3/00; B65D 75/56; B65D 75/563; B65D 75/566; B67B 7/00; B67B 7/724; B67B 7/73
See application file for complete search history.

(56) **References Cited**

U.S. PATENT DOCUMENTS

- 1,708,456 A * 4/1929 Tunick A47G 21/04 30/345
- 2,313,977 A * 3/1943 Takach A61J 7/0023 D24/116
- 4,830,222 A * 5/1989 Read B65D 35/28 426/115
- 5,491,897 A * 2/1996 Michelena A47G 21/04 30/328

(Continued)

FOREIGN PATENT DOCUMENTS

- CN 303326825 * 8/2015
- JP D1221397 * 11/2004

(Continued)

OTHER PUBLICATIONS

Joseph Joseph Sliding Spoon, Feb. 4, 2021, <https://www.amazon.co.uk/Joseph-Adjustable-Measuring-Spoon-Blue-Plastic/dp/B08QH1KQHD> (Year: 2021).*

(Continued)

Primary Examiner — Brett Miller

Assistant Examiner — Nader Abadir

(74) *Attorney, Agent, or Firm* — Richard Kosakowski

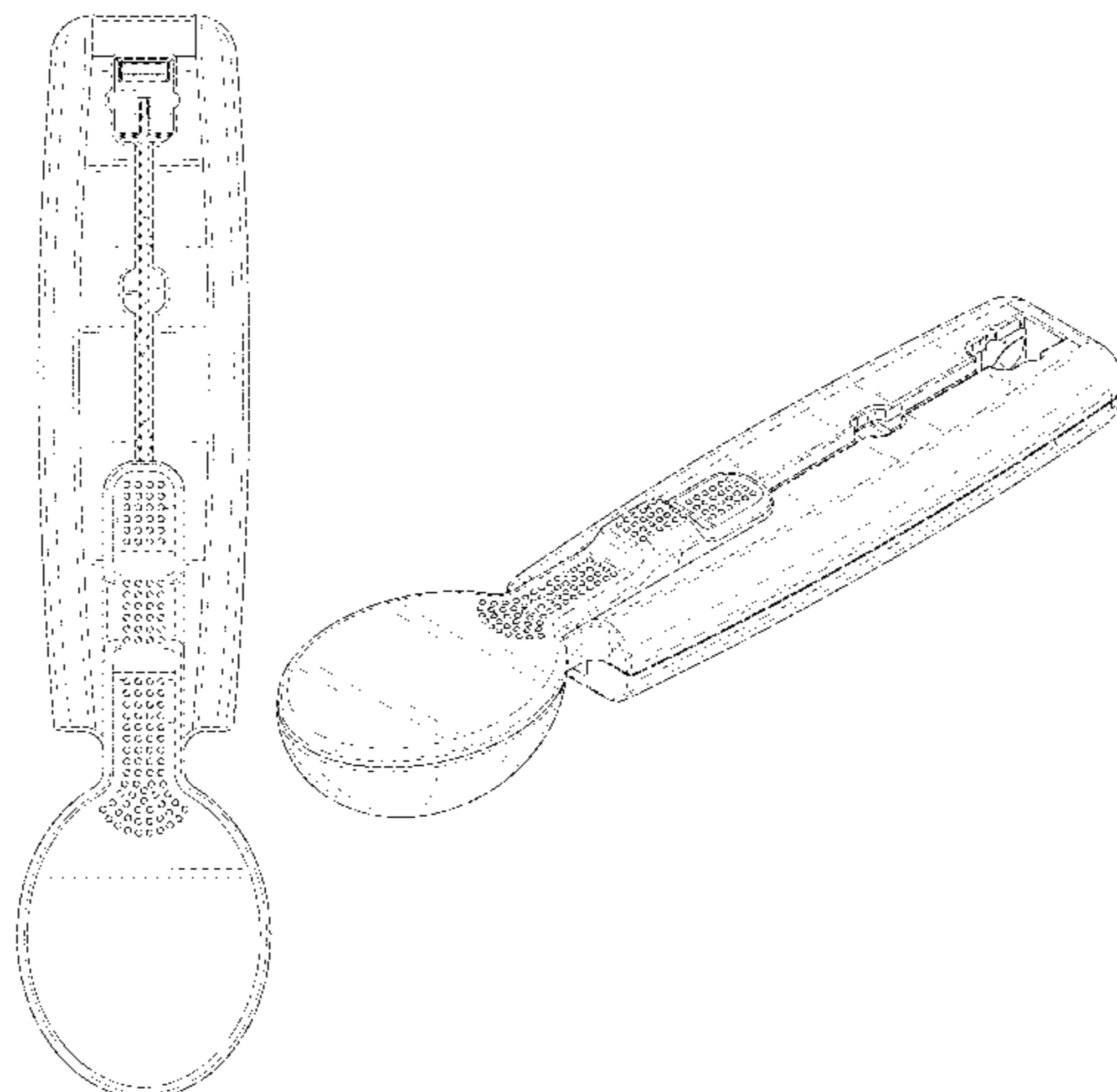
(57) **CLAIM**

We claim the ornamental design for a sealable spoon, as shown and described.

DESCRIPTION

FIG. 1 is a top plan view of our new design for a sealable spoon shown in a closed position;
 FIG. 2 is a bottom plan view thereof;
 FIG. 3 is a front elevational view thereof;
 FIG. 4 is a rear elevational view thereof;
 FIG. 5 is a left side elevational view thereof;
 FIG. 6 is a right side elevational view thereof;
 FIG. 7 is a perspective view thereof; and,
 FIG. 8 is a top plan view of our new design for a sealable spoon shown in an alternate open position.

1 Claim, 7 Drawing Sheets



(56)

References Cited

U.S. PATENT DOCUMENTS

5,975,305 A * 11/1999 Barger B65D 75/58
 426/123
 7,210,600 B1 * 5/2007 Delio, Jr. A47G 21/04
 222/93
 D723,869 S * 3/2015 Joseph D7/642
 D727,691 S * 4/2015 Wang D7/644
 D728,321 S * 5/2015 Skolnik D7/642
 D732,352 S * 6/2015 Ebli D7/653
 D906,768 S * 1/2021 Braidotti D7/653
 D937,050 S * 11/2021 Lowsky D7/653
 D937,051 S * 11/2021 Lowsky D7/653
 2002/0181542 A1 * 12/2002 Lee G01K 1/14
 374/E1.018
 2006/0174493 A1 * 8/2006 Hsu B65D 33/1675
 30/324
 2013/0047446 A1 * 2/2013 Leffler A47G 21/004
 30/326
 2014/0245618 A1 * 9/2014 Wood A47G 21/04
 30/324

2015/0068047 A1* 3/2015 Leffler A61J 7/0023
 30/324
 2017/0056291 A1* 3/2017 Leffler A61J 7/0023

FOREIGN PATENT DOCUMENTS

KR 300760673.0000 * 9/2014
 KR 300767284.0000 * 10/2014
 KR 300775475.0000 * 12/2014
 RU 00069822 * 4/2009

OTHER PUBLICATIONS

KitchenArt Cook's Pro Adjust-A-Measure Set, Nov. 1, 2000, <https://www.amazon.com/KitchenArt-54210-Adjust-Measure-3-Piece/dp/B0012S7JWG> (Year: 2000).
 Celley Adaptive Utensils for Elderly, Jul. 1, 2019, <https://www.amazon.co.uk/Celley-Arthritis-Parkinsons-Handicapped-Non-Weighted/dp/B07TW9MSMK> (Year: 2019).

* cited by examiner

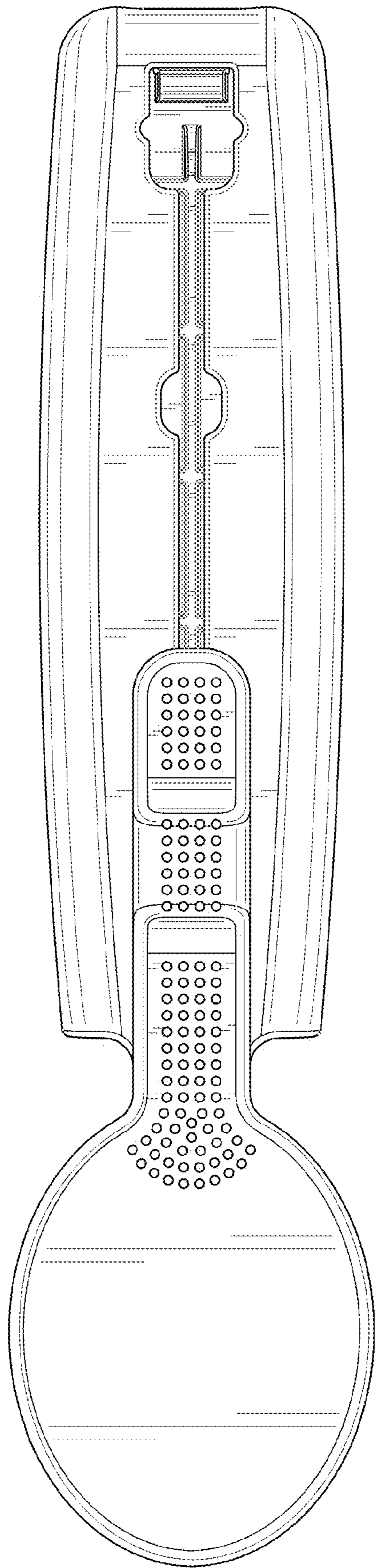


FIG. 1

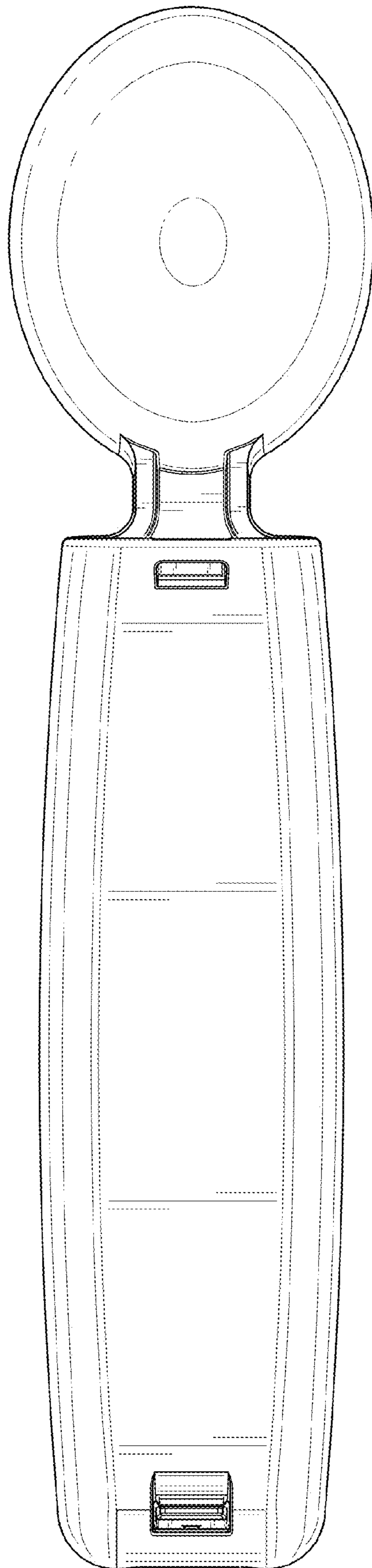


FIG. 2

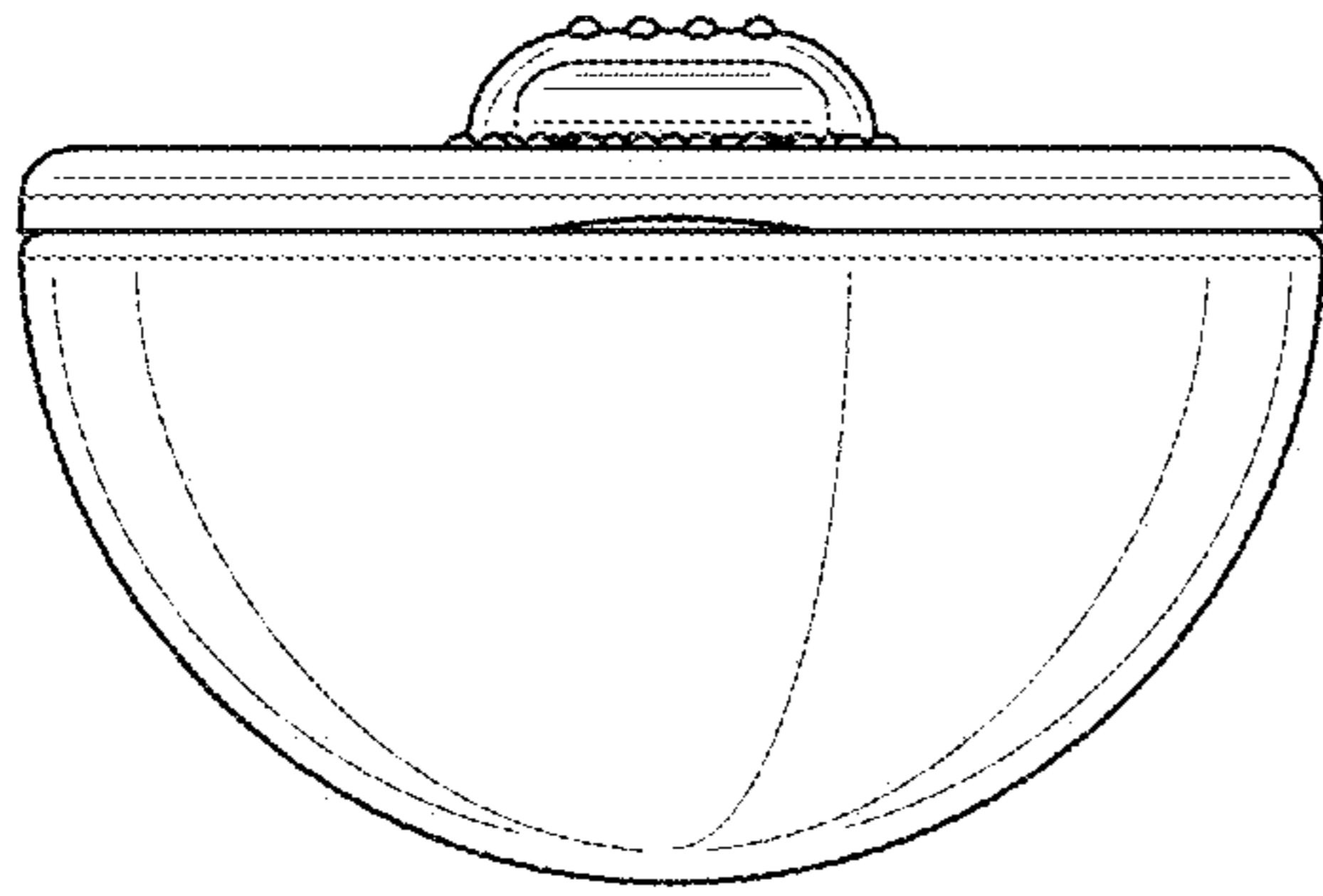


FIG. 3

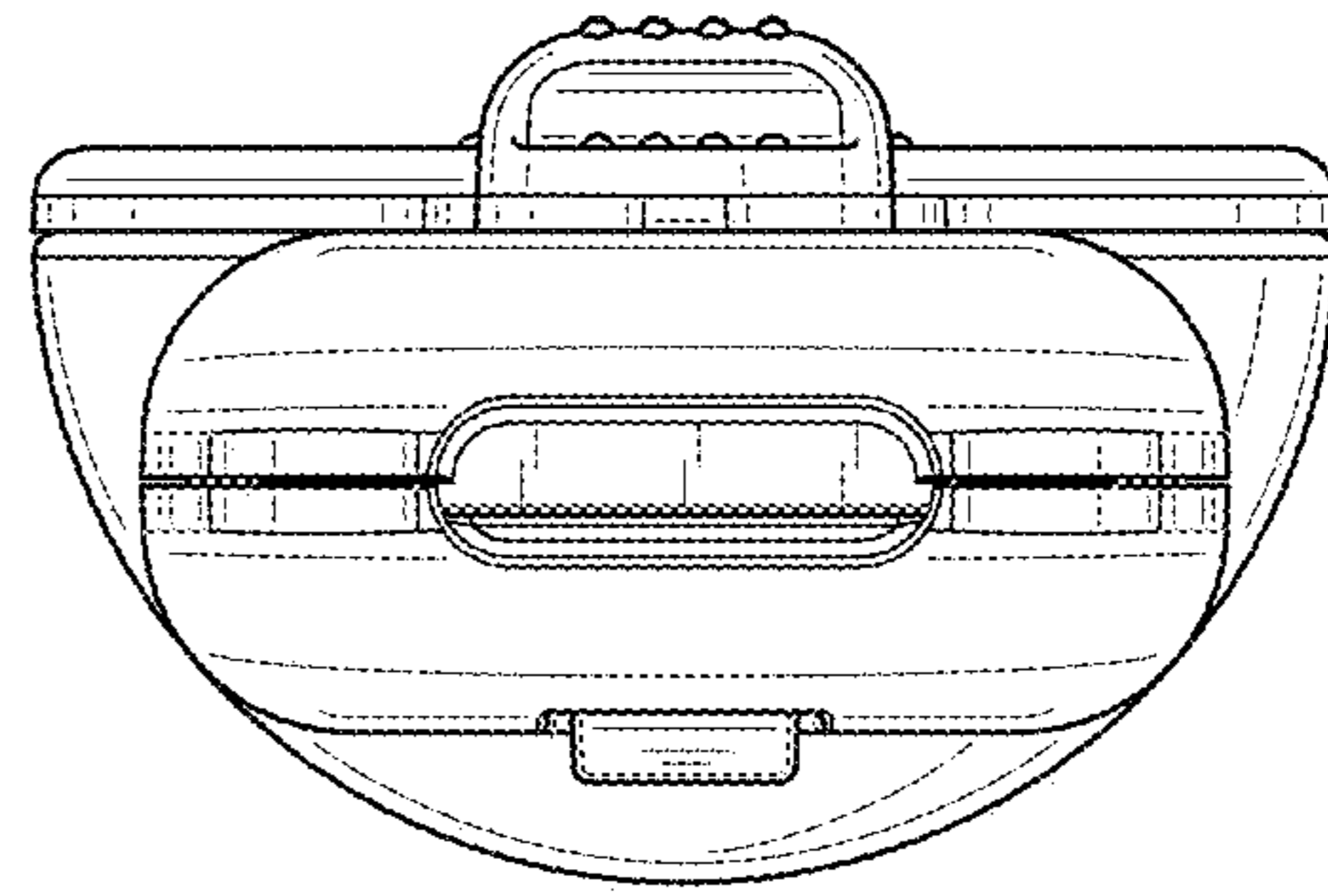


FIG. 4

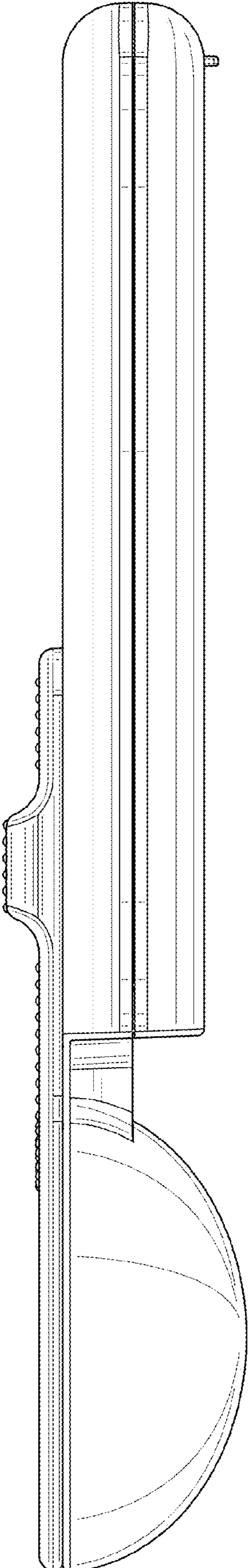


FIG. 5

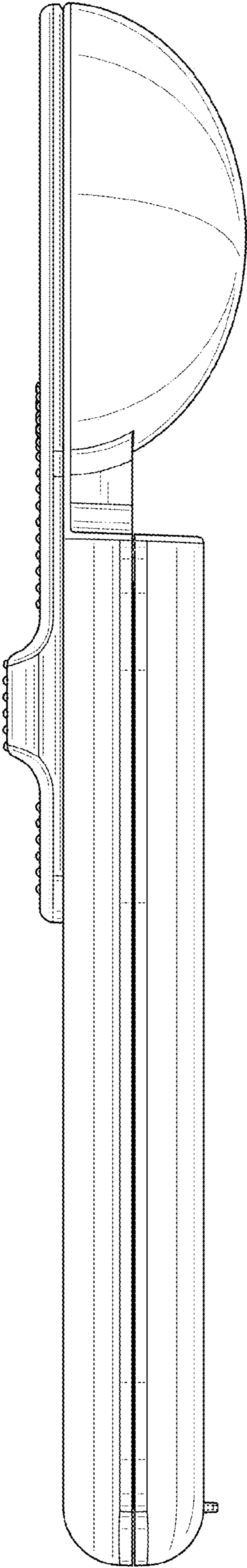


FIG. 6

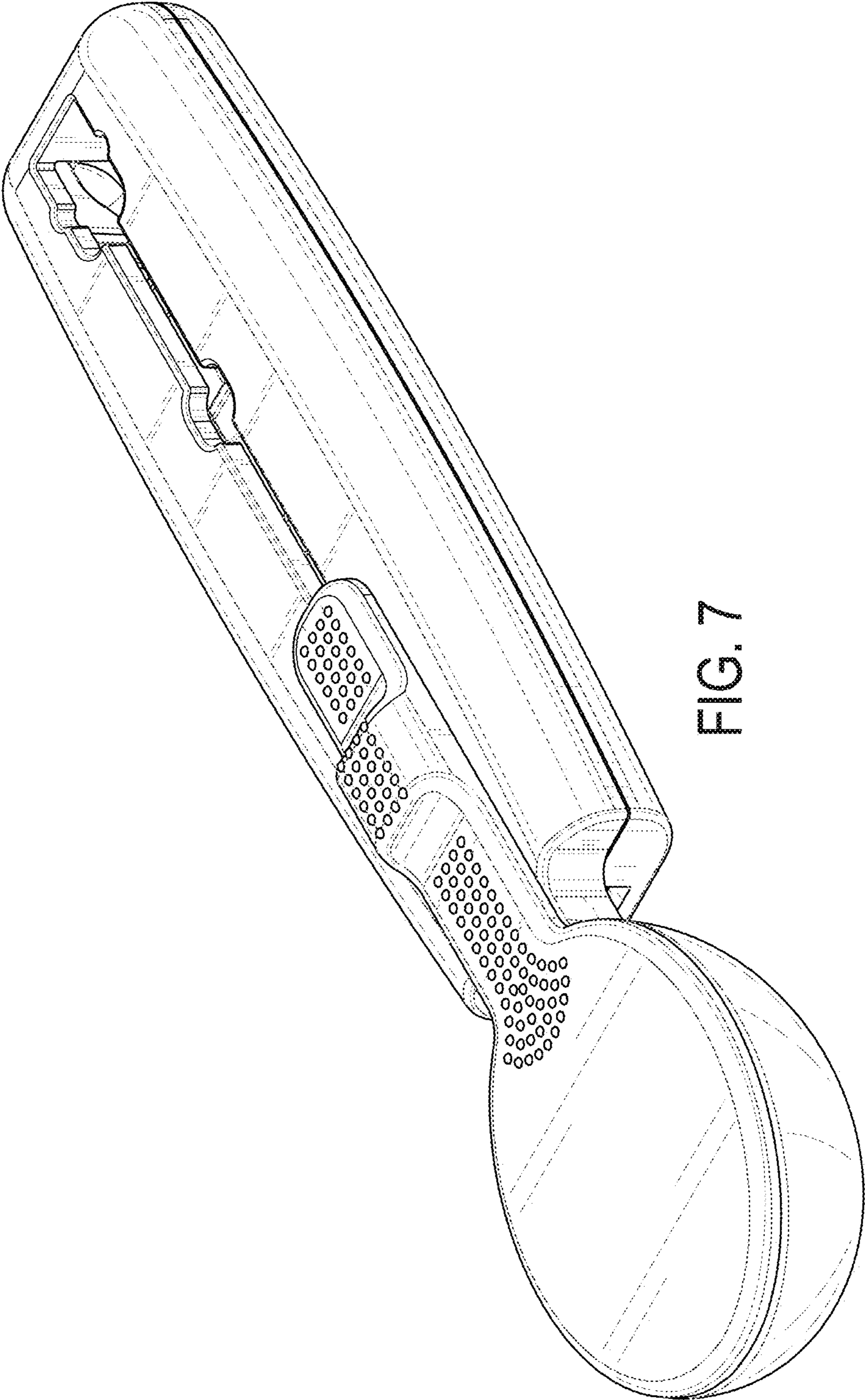


FIG. 7

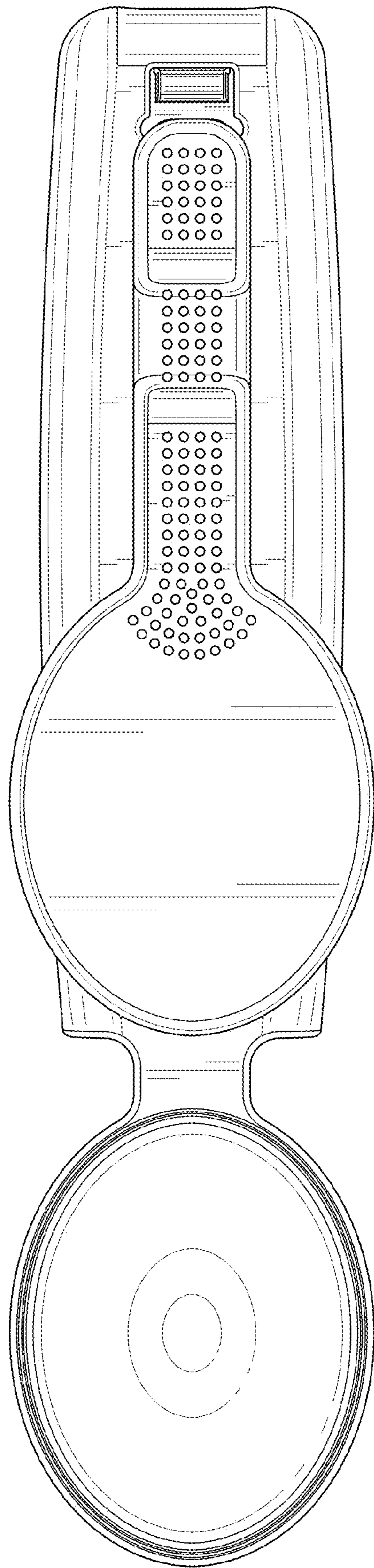


FIG. 8