



US00D981800S

(12) **United States Design Patent**
Huang

(10) **Patent No.:** **US D981,800 S**
(45) **Date of Patent:** **** Mar. 28, 2023**

- (54) **BOTTLE SLEEVE**
- (71) Applicant: **RRCH GLOBAL INC.**, Bolingbrook, IL (US)
- (72) Inventor: **Jinyu Huang**, Bolingbrook, IL (US)
- (73) Assignee: **RRCH GLOBAL INC.**, Bolingbrook, IL (US)
- (**) Term: **15 Years**
- (21) Appl. No.: **29/817,726**
- (22) Filed: **Dec. 3, 2021**
- (51) **LOC (14) Cl.** **07-06**
- (52) **U.S. Cl.**
USPC **D7/624.2; D3/202**
- (58) **Field of Classification Search**
USPC D7/387, 601–608, 619.1–620, 622–625;
D3/202, 229
CPC A47G 23/02; A47G 23/0208; A47G
23/0216; A47G 23/0233; A47G 23/0241;
A47G 23/0266; A47G 23/0275; A47G
23/0283; A47G 23/0291; A45C 2200/20;
A45F 3/16; A45F 5/00; A45F 5/02
See application file for complete search history.

- D904,130 S * 12/2020 Myers D7/624.2
- D925,995 S * 7/2021 Wang D3/229
- D929,193 S * 8/2021 McGinnis D7/624.2
- D951,030 S * 5/2022 Sherrod A47G 23/02
D7/624.2
- D955,887 S * 6/2022 Buehrle D9/711
- 2013/0098954 A1 * 4/2013 Inglis A45F 5/00
224/148.4
- 2021/0137248 A1 * 5/2021 Dow A47G 23/02

OTHER PUBLICATIONS

Dr.Hydro 3.2L Water Bottle One Gallon Sleeve Jug Insulated Neoprene Cover, first available Feb. 2, 2021, Amazon, [online], [site visited Aug. 22, 2022], Available from internet URL: <https://www.amazon.com/DR-HYDRO-Insulated-Neoprene-Shoulder-Workout/dp/B08VNDSWD3> (Year: 2021).*

(Continued)

Primary Examiner — Mary Ann Calabrese
Assistant Examiner — Natalya M Rapundalo

(57) **CLAIM**

The ornamental design for a bottle sleeve, as shown and described.

DESCRIPTION

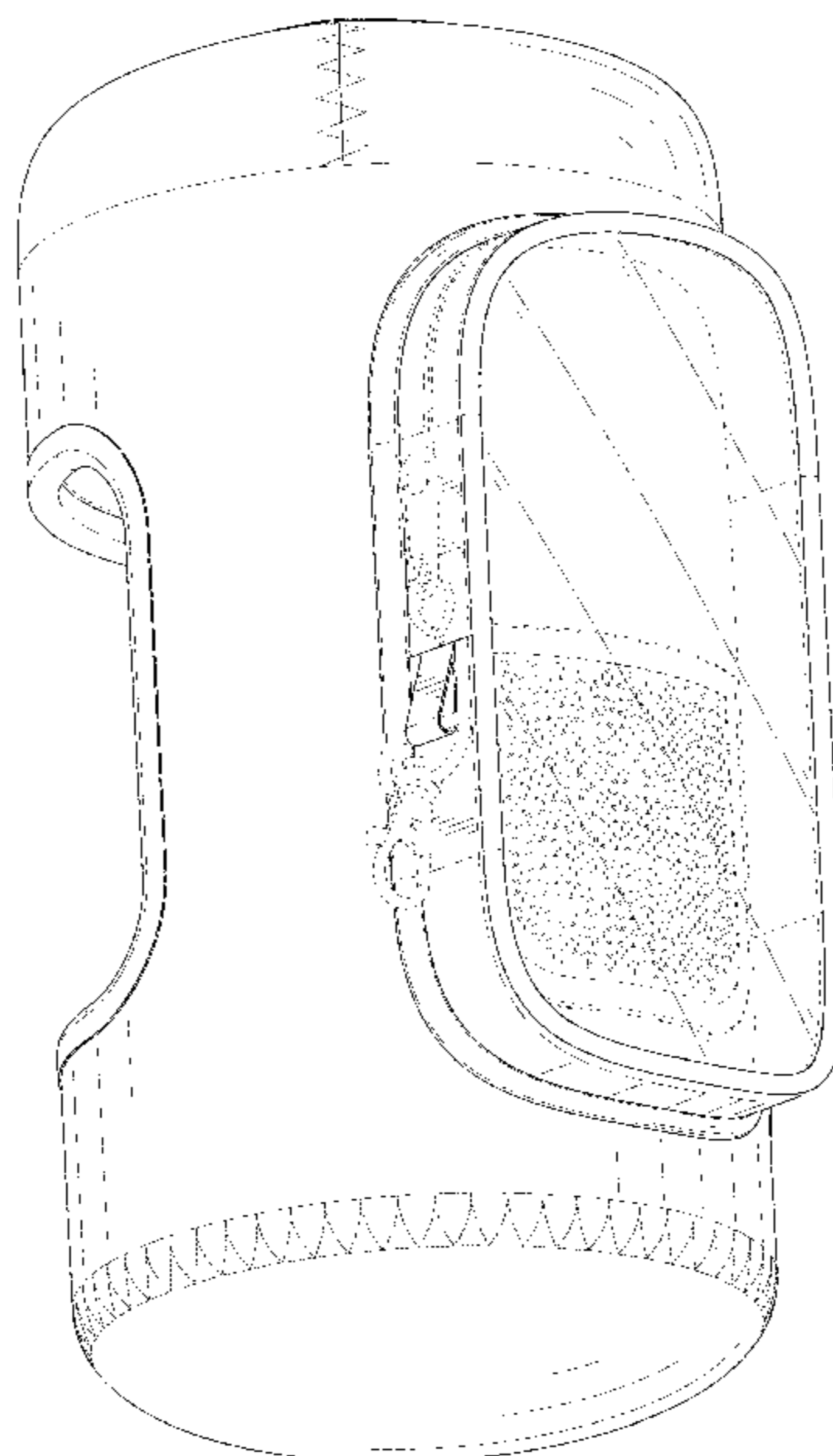
FIG. 1 is a perspective view of a bottle sleeve showing my new design;
FIG. 2 is another perspective view thereof;
FIG. 3 is a front elevational view thereof;
FIG. 4 is a rear elevational view thereof;
FIG. 5 is a left side elevational view thereof;
FIG. 6 is a right side elevational view thereof;
FIG. 7 is a top plan view thereof; and,
FIG. 8 is a bottom plan view thereof.
The short and long dashed broken lines in the drawings depict portions of the bottle sleeve and from no part of the claimed design.

1 Claim, 8 Drawing Sheets

(56) **References Cited**

U.S. PATENT DOCUMENTS

- D382,483 S * 8/1997 Flasch D7/620
- D432,365 S * 10/2000 Corbella D7/608
- D630,429 S * 1/2011 Reyes D3/229
- D704,006 S * 5/2014 Gonzales D7/624.2
- D785,807 S 5/2017 Saadia
- D795,653 S * 8/2017 Gazibara D7/622
- D796,270 S * 9/2017 McConnell D7/625
- D829,057 S * 9/2018 Agado D7/624.2
- D830,786 S 10/2018 Miller
- D885,148 S * 5/2020 Wang D7/624.2
- D889,914 S * 7/2020 Wadsworth D3/229



(56)

References Cited

OTHER PUBLICATIONS

KEEPTO 64oz_Half Gallon Water Bottle with Sleeve, first available Apr. 3, 2022, Amazon, [online], [site visited Aug. 22, 2022], Available from internet URL: <https://www.amazon.com/KEEPTO-Gallon-Bottle-Sleeve-Motivational/dp/B09T6SFGB7> (Year: 2022).*

* cited by examiner

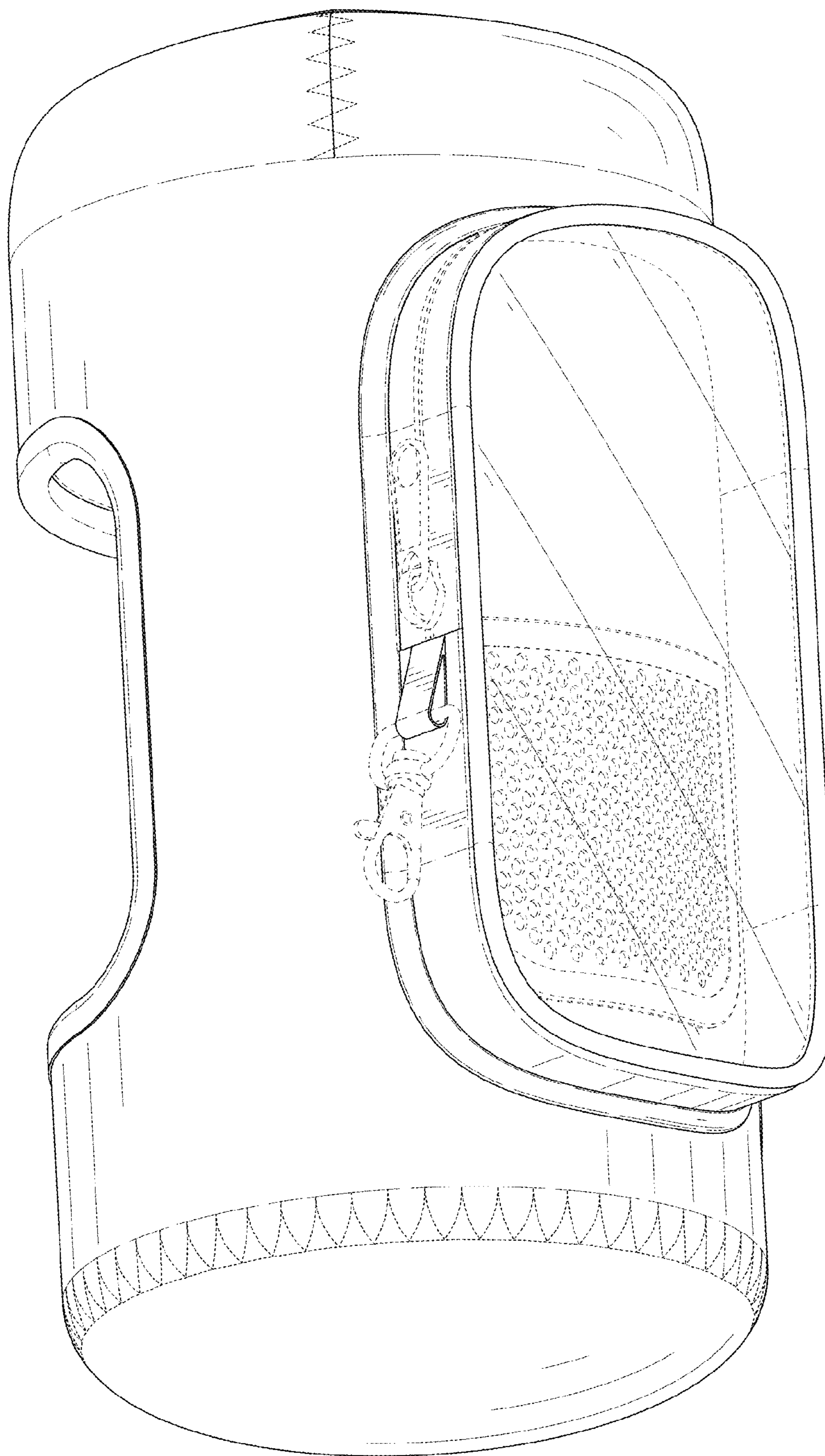


FIG. 1

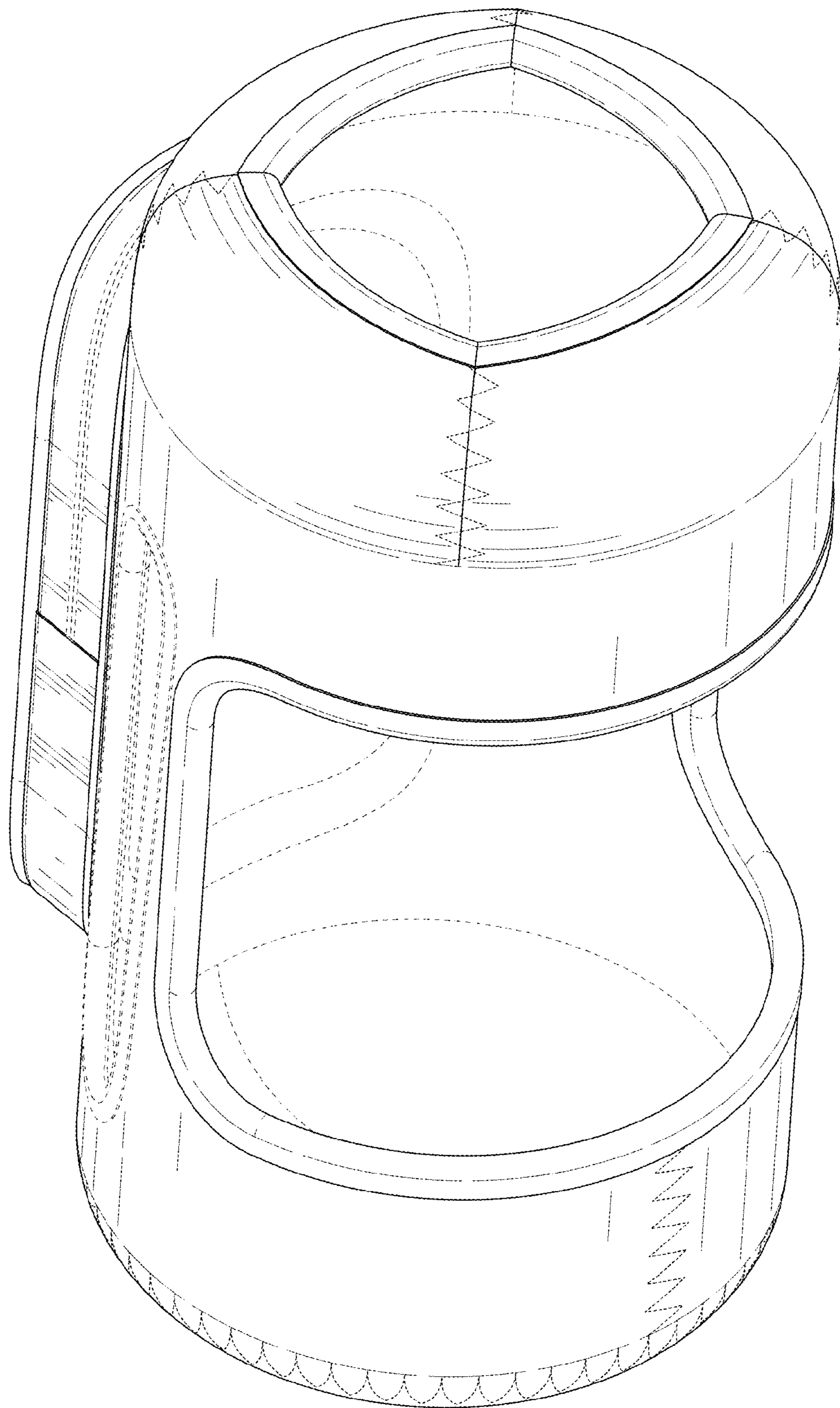


FIG. 2

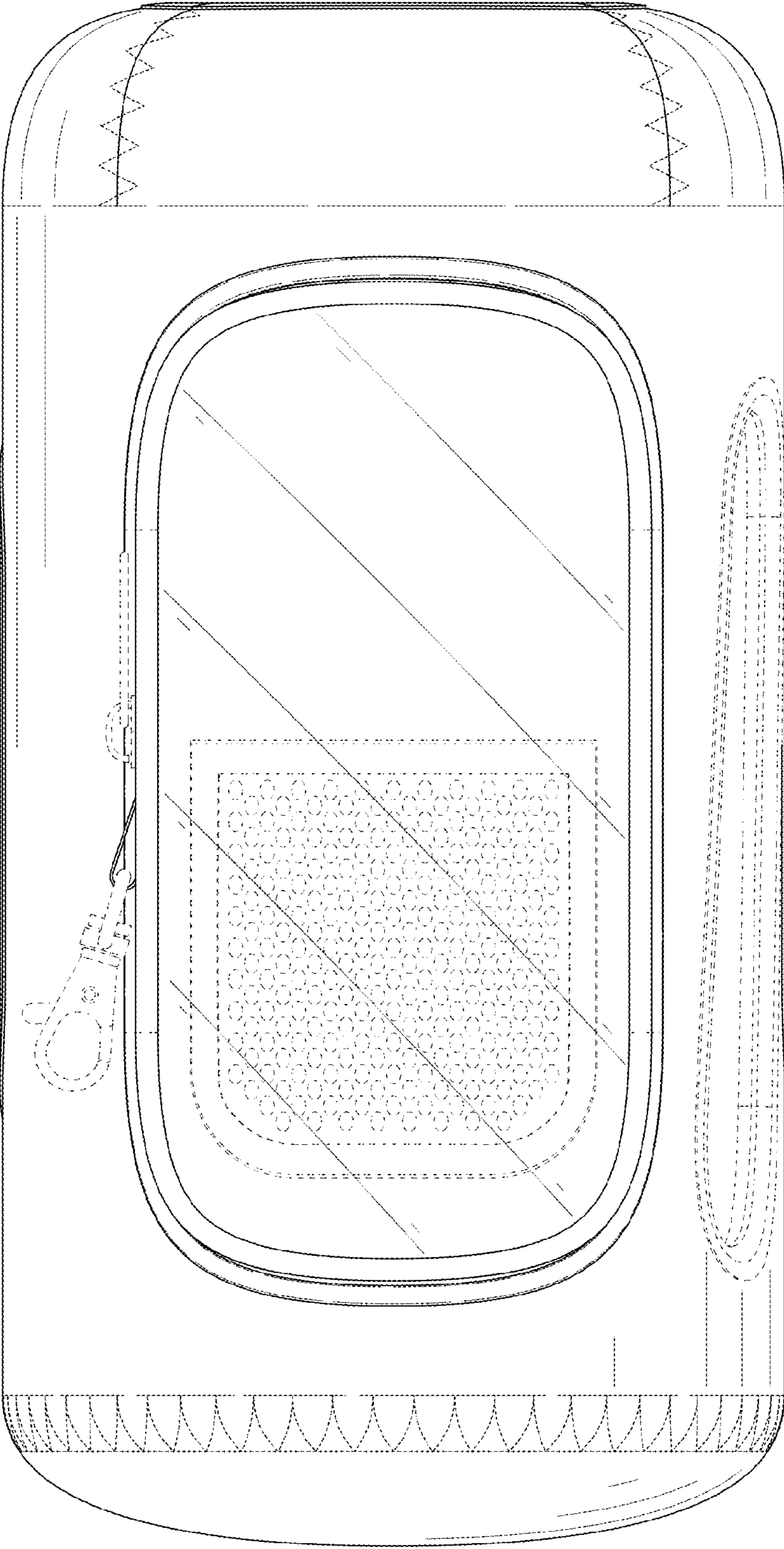


FIG. 3

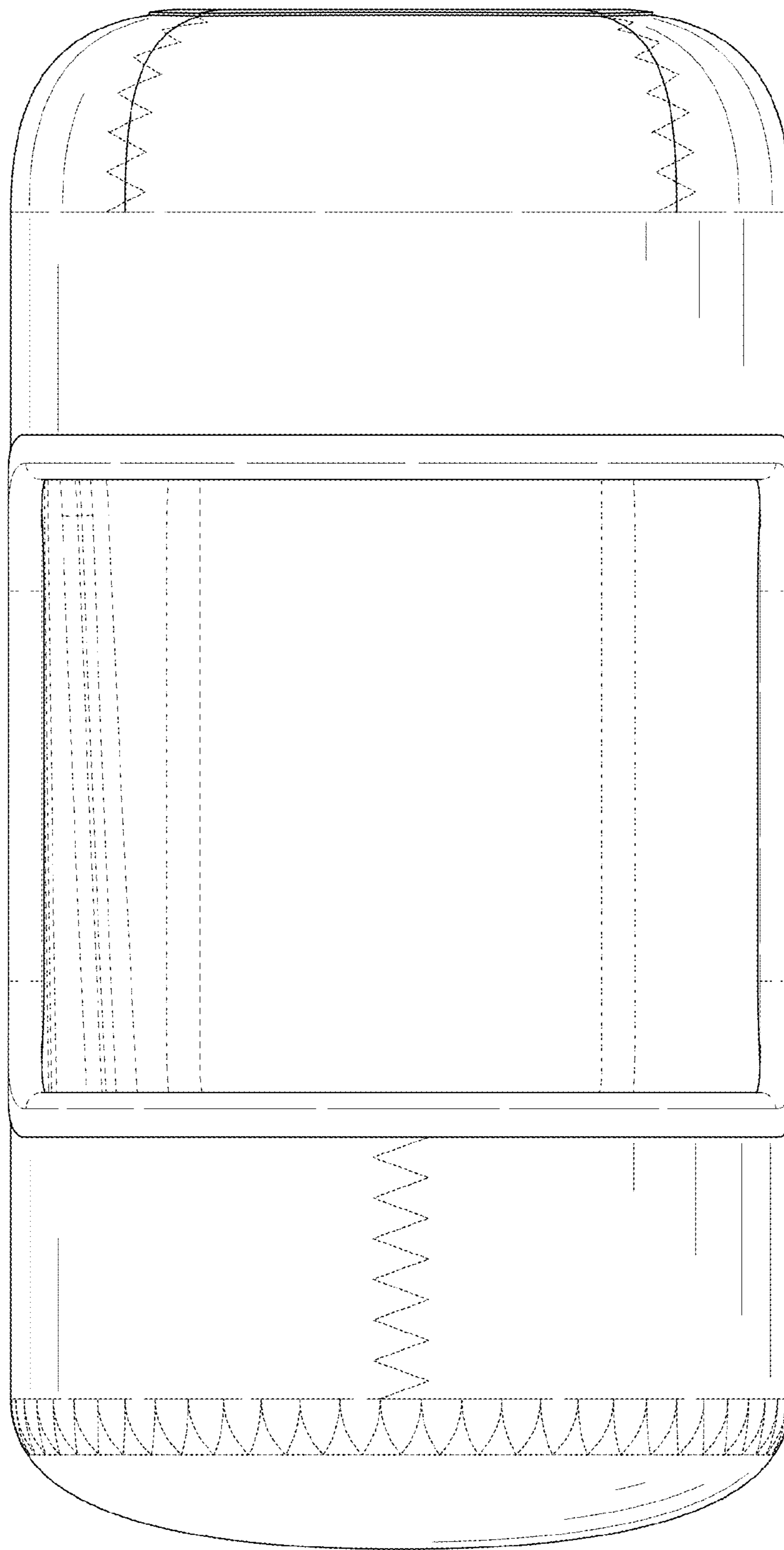


FIG. 4

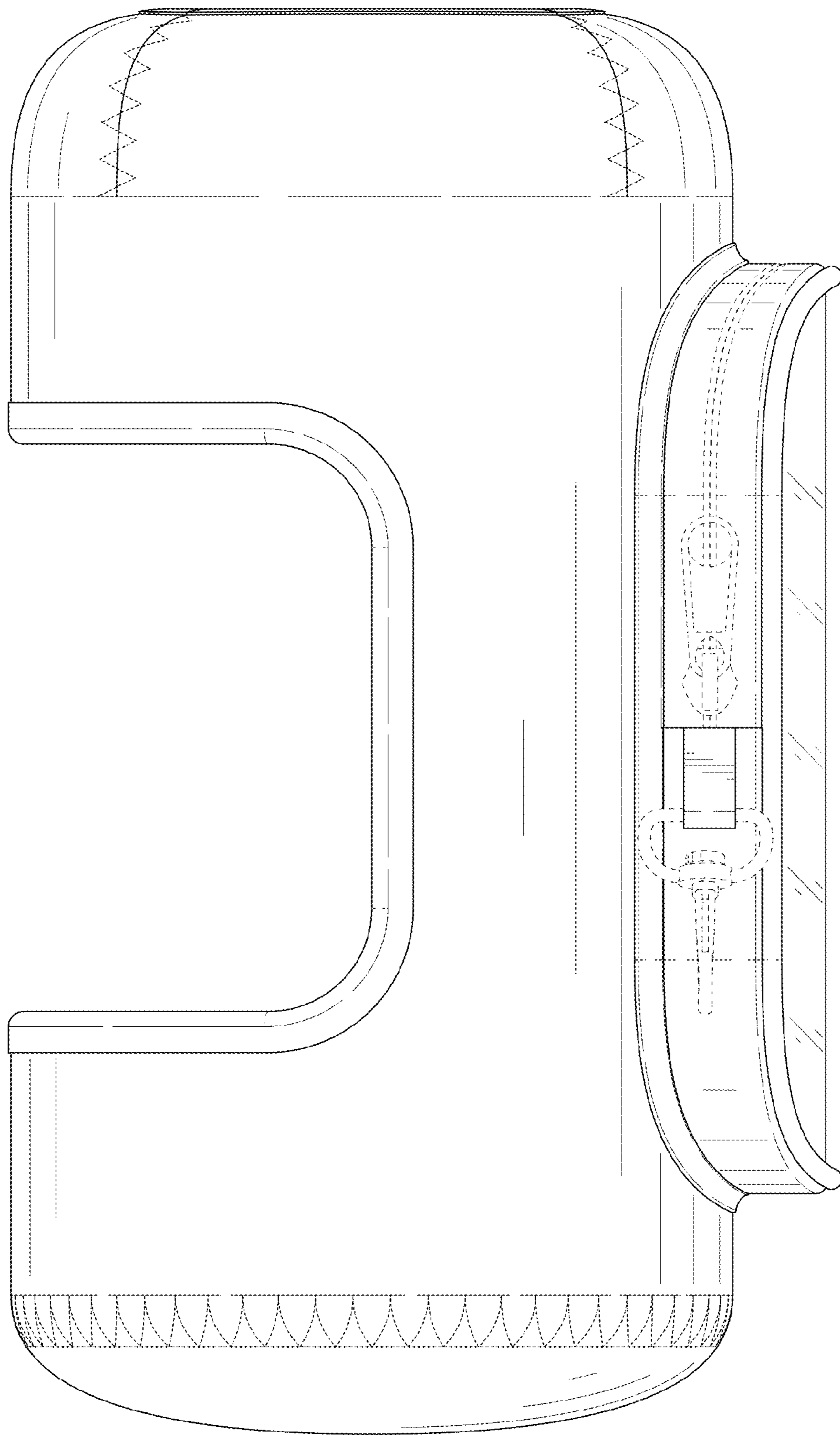


FIG. 5

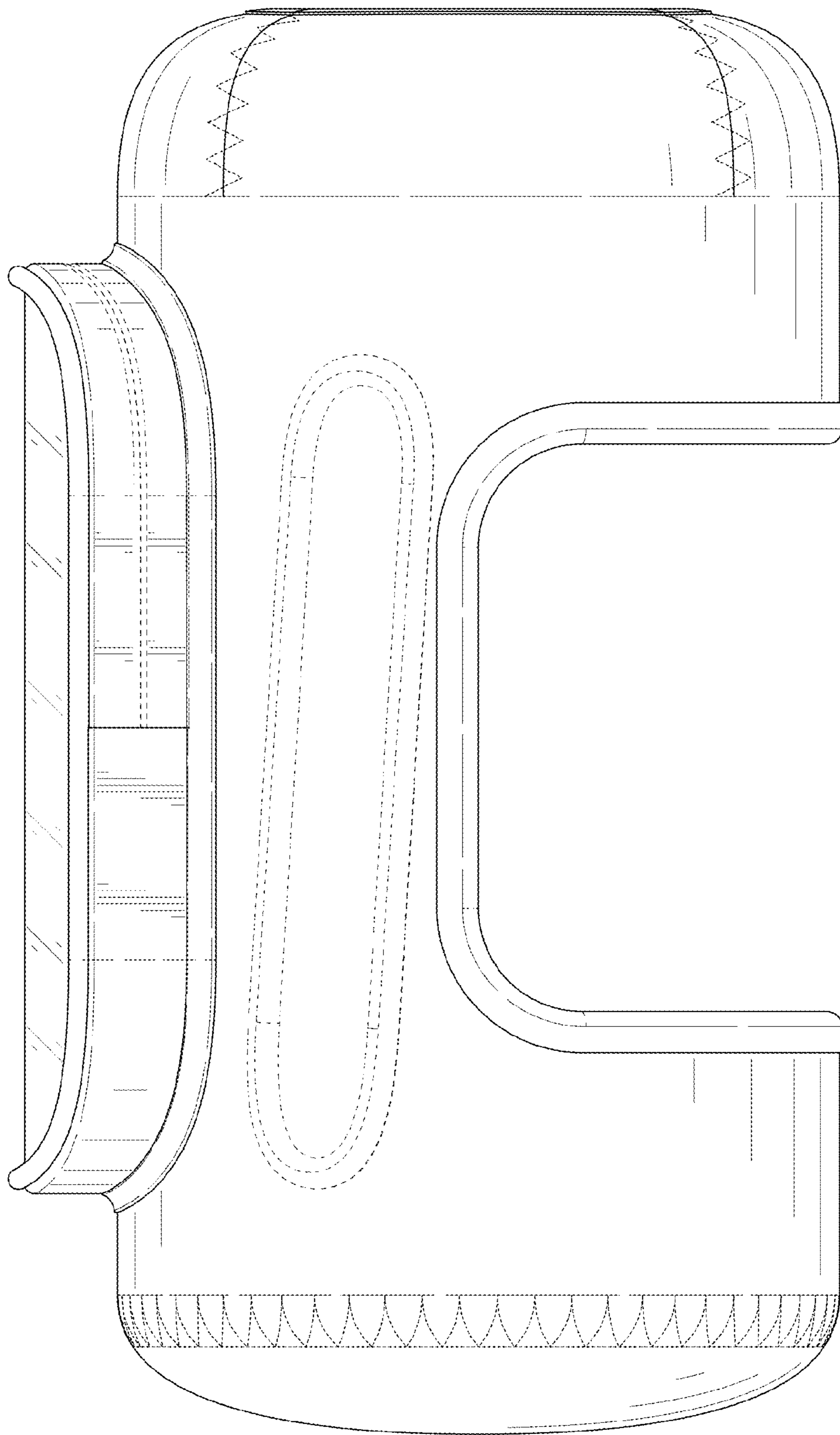


FIG. 6

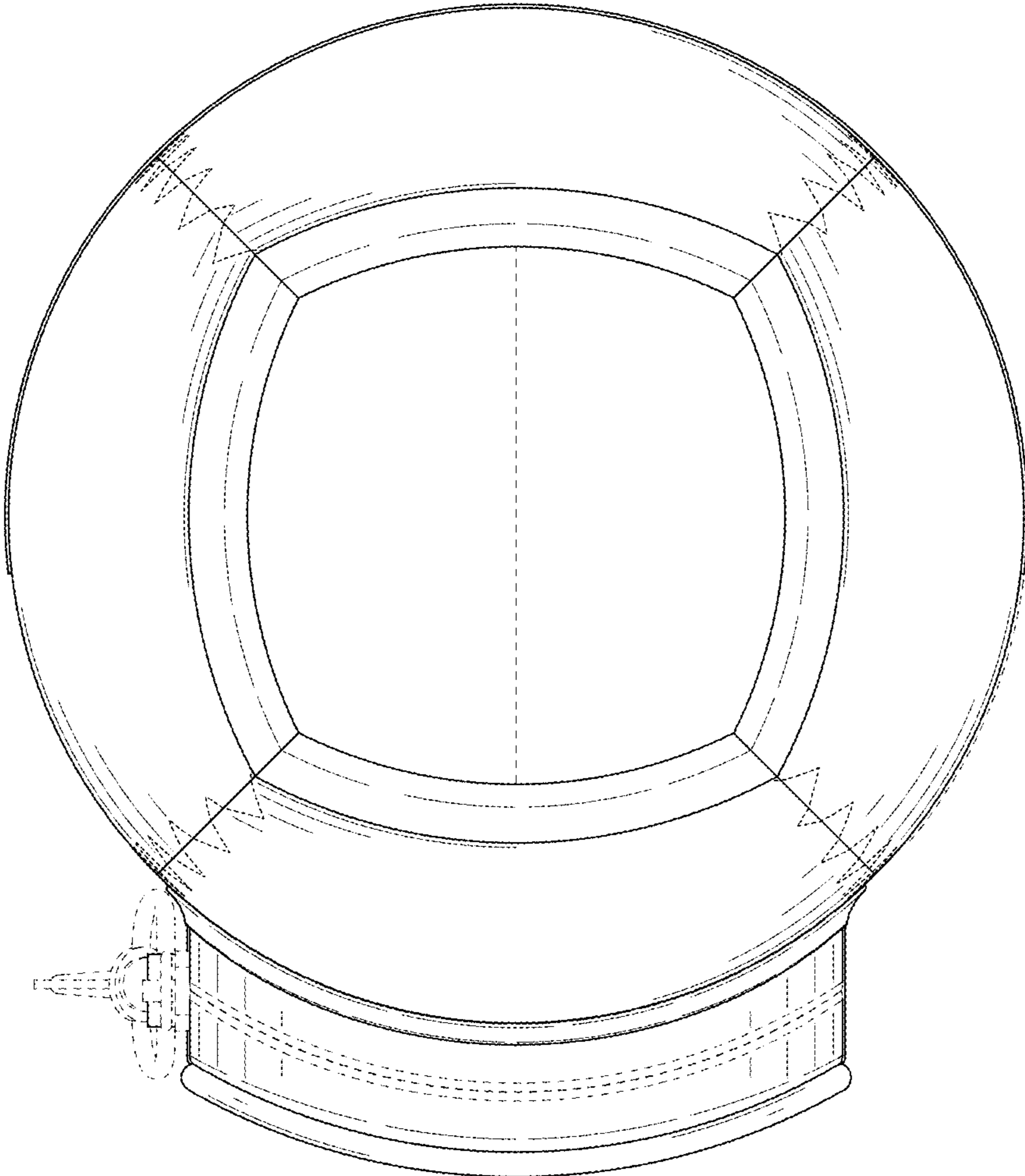


FIG. 7

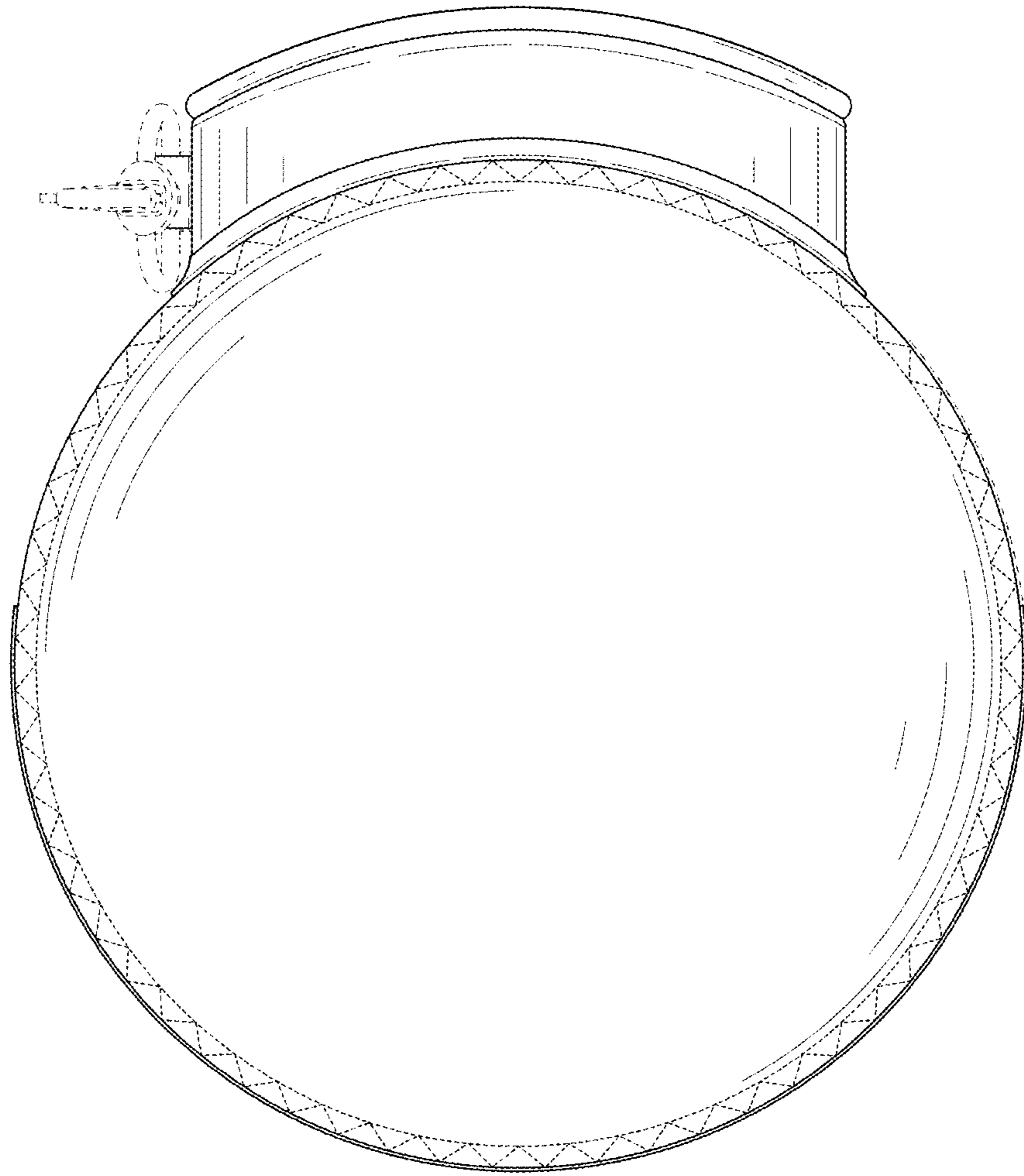


FIG. 8