



US00D981798S

(12) **United States Design Patent**
Nash

(10) **Patent No.:** **US D981,798 S**
(45) **Date of Patent:** **** Mar. 28, 2023**

(54) **BEVERAGE CARRIER**

(71) Applicant: **Kimberly E. Nash**, New Lowell (CA)

(72) Inventor: **Kimberly E. Nash**, New Lowell (CA)

(**) Term: **15 Years**

(21) Appl. No.: **29/784,834**

(22) Filed: **May 21, 2021**

(51) **LOC (14) Cl.** **07-09**

(52) **U.S. Cl.**
USPC **D7/622**

(58) **Field of Classification Search**

USPC D3/304, 229, 273, 274, 276, 283, 287,
D3/288, 289, 292, 294, 299, 300, 301,
D3/303, 305, 306, 310, 313, 315-316;
D7/553.8, 698, 372, 383, 393-395, 396.2,
D7/400, 401.2, 504, 507, 523, 533,
D7/541-549, 550.1, 551.1, 551.2, 553.1,
D7/601, 602, 605, 607, 611, 612, 614,
D7/619.1, 619.2, 620, 622, 624.1-624.3,
D7/629, 635, 637, 638, 641-645,
D7/647-649, 625, 662, 669, 682, 675,
D7/701, 702, 703, 704, 705, 708, 708.1,
D7/709; D4/120, 128, 134-136; D9/430,
D9/761, 702-704, 710, 721, 740, 741,
D9/743, 744, 745, 759, 762; D26/9, 11,
D26/22

CPC A22C 7/00; A45C 11/20; A45C 11/26;
A45C 2200/20; A45C 2200/05; A45F
2200/0583; A45F 2003/002; A45F 3/02;
A45F 3/16; A45F 4/02; A45F 4/00; A45F
5/10; A45F 5/102; A45F 5/00; A47B
73/00; A47G 19/2205; A47G 19/30;
A47G 23/02; A47G 23/0208; A47G
23/0216; A47G 23/0233; A47G 23/0241;
A47G 23/0266; A47G 23/0625; A47G
23/0641; A47G 23/065; A47J 29/06; A47J
29/00; A47J 29/02; A47J 29/04; A47J
42/50; A47J 43/28; A47J 43/00; A47J
43/20; A47J

(Continued)

(56) **References Cited**

U.S. PATENT DOCUMENTS

1,288,911 A * 12/1918 Katzenberger B65D 85/305
217/22
1,565,952 A * 12/1925 Phillips A47G 23/065
294/143

(Continued)

FOREIGN PATENT DOCUMENTS

GB 9006226502-0001 * 2/2019
KR 301127386.0000 * 9/2021

OTHER PUBLICATIONS

Acopa Acrylic Drop In Flight Paddle, posted date unknown [online],
[retrieved Nov. 30, 2022]. Retrieved from internet, <https://www.webstaurantstore.com/acopa-18-acrylic-beer-flight-sampler-paddle-pack/553FL4ACRYL.html>.*

(Continued)

Primary Examiner — Nicole C Shiflet

Assistant Examiner — Yen Le Southwood

(74) *Attorney, Agent, or Firm* — Cramer Patent & Design,
PLLC; Aaron R. Cramer

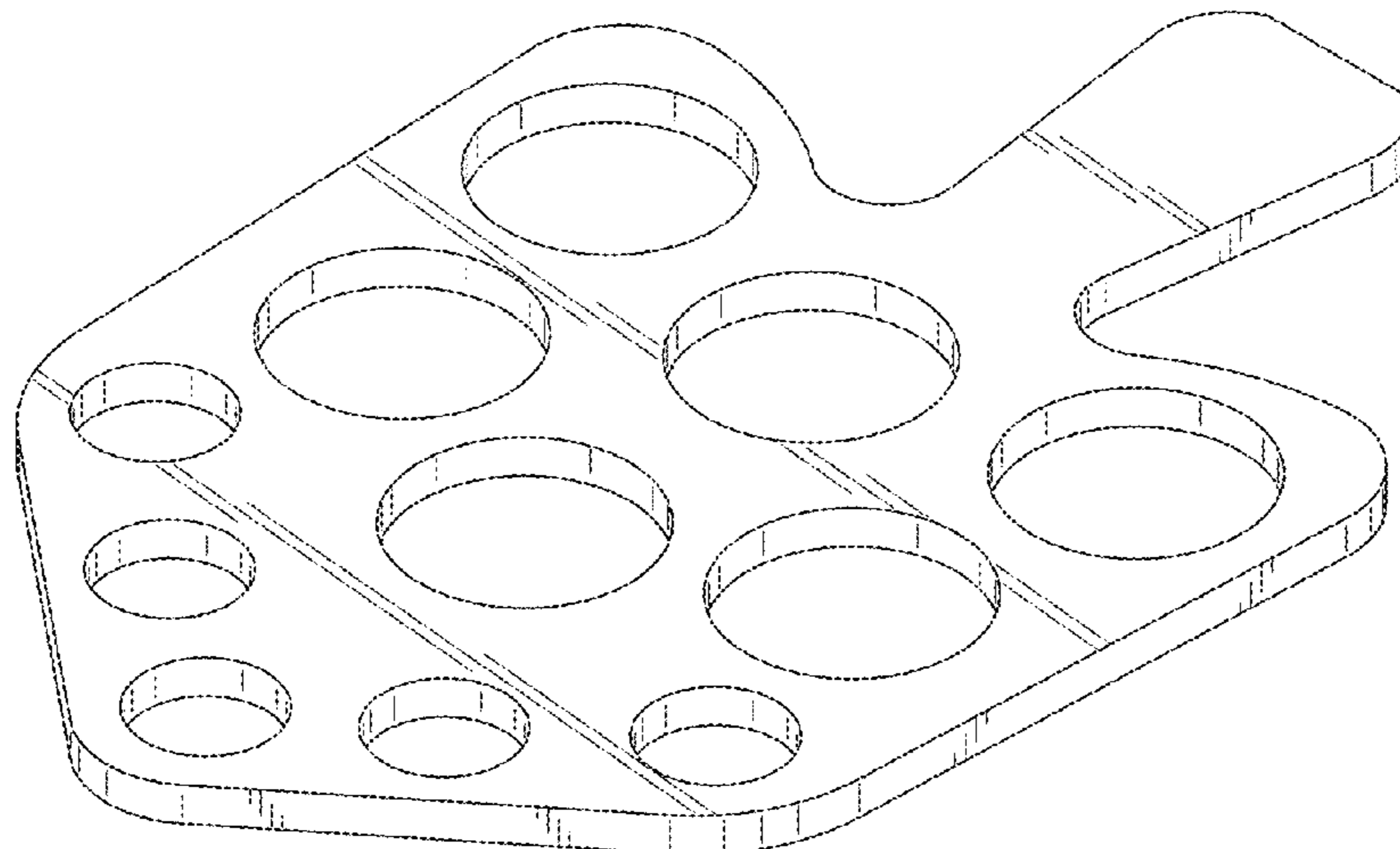
(57) **CLAIM**

The ornamental design for a beverage carrier, as shown and described.

DESCRIPTION

FIG. 1 is a perspective top front right view of a beverage carrier, showing my new design;
FIG. 2 is a perspective top rear left view thereof;
FIG. 3 is a front elevation view thereof;
FIG. 4 is a rear elevation view thereof;
FIG. 5 is a right elevation view thereof;
FIG. 6 is a left elevation view thereof;
FIG. 7 is a top plan view thereof; and,
FIG. 8 is a bottom plan view thereof.

1 Claim, 6 Drawing Sheets



(58) **Field of Classification Search**

CPC 45/00; A47J 45/06; A47J 45/066; A47J
 45/077; A47J 45/07; A47J 45/10; A47J
 47/02; A47J 47/06; A47J 47/08; A47J
 47/14; A47J 47/005; B65D 23/3102;
 B65D 25/10; B65D 25/28; B65D
 25/2817; B65D 25/2829; B65D 25/2832;
 B65D 25/2879; B65D 85/305; G65D
 51/24

See application file for complete search history.

D323,447 S * 1/1992 Booz D7/705
 D337,024 S * 7/1993 Stickel, III D7/698
 D459,581 S * 7/2002 Krumes D3/304
 D476,865 S 7/2003 Zudal
 D576,849 S * 9/2008 Carfagna D7/550.1
 D601,343 S * 10/2009 Franczyk D3/313
 D623,478 S 9/2010 Hayashi
 D734,099 S * 7/2015 Fissell D7/553.8
 D766,665 S 9/2016 Shames
 D770,870 S 11/2016 Nash et al.
 D855,405 S 8/2019 Ings
 D865,451 S 11/2019 Thompson
 2015/0108702 A1* 4/2015 Quanh A47J 47/005
 269/289 R

(56) **References Cited**

U.S. PATENT DOCUMENTS

D70,481 S * 6/1926 Kopel D7/544
 1,659,344 A * 2/1928 Wissman A47G 23/065
 294/143
 1,702,199 A * 2/1929 Cunningham A47G 23/065
 229/932
 D93,916 S * 11/1934 Erickson D7/507
 D189,792 S * 2/1961 Saputo D7/544
 3,142,425 A * 7/1964 Cobb A47G 23/065
 D7/543
 D228,863 S * 10/1973 Sholkin D7/546
 D317,998 S * 7/1991 Sanford D7/701

OTHER PUBLICATIONS

Maple Slant Reversible Server/Beer Flight Board, posted date
 unknown [online], [retrieved Nov. 30, 2022]. Retrieved from inter-
 net, [https://www.martinsfurniture.us/product/maple-slant-cutting-
 reverse-4-beer-board-6-1-2-w-x-10-1-x-3-4](https://www.martinsfurniture.us/product/maple-slant-cutting-reverse-4-beer-board-6-1-2-w-x-10-1-x-3-4).
 Pine Shot Paddle Board, posted Dec. 23, 2014 [online], [retrieved
 Nov. 30, 2022]. Retrieved from internet, [https://www.amazon.co.
 uk/Pine-Shot-Paddle-Board-Glasses/dp/B00RD89WBU](https://www.amazon.co.uk/Pine-Shot-Paddle-Board-Glasses/dp/B00RD89WBU) (Year: 2014).*

* cited by examiner

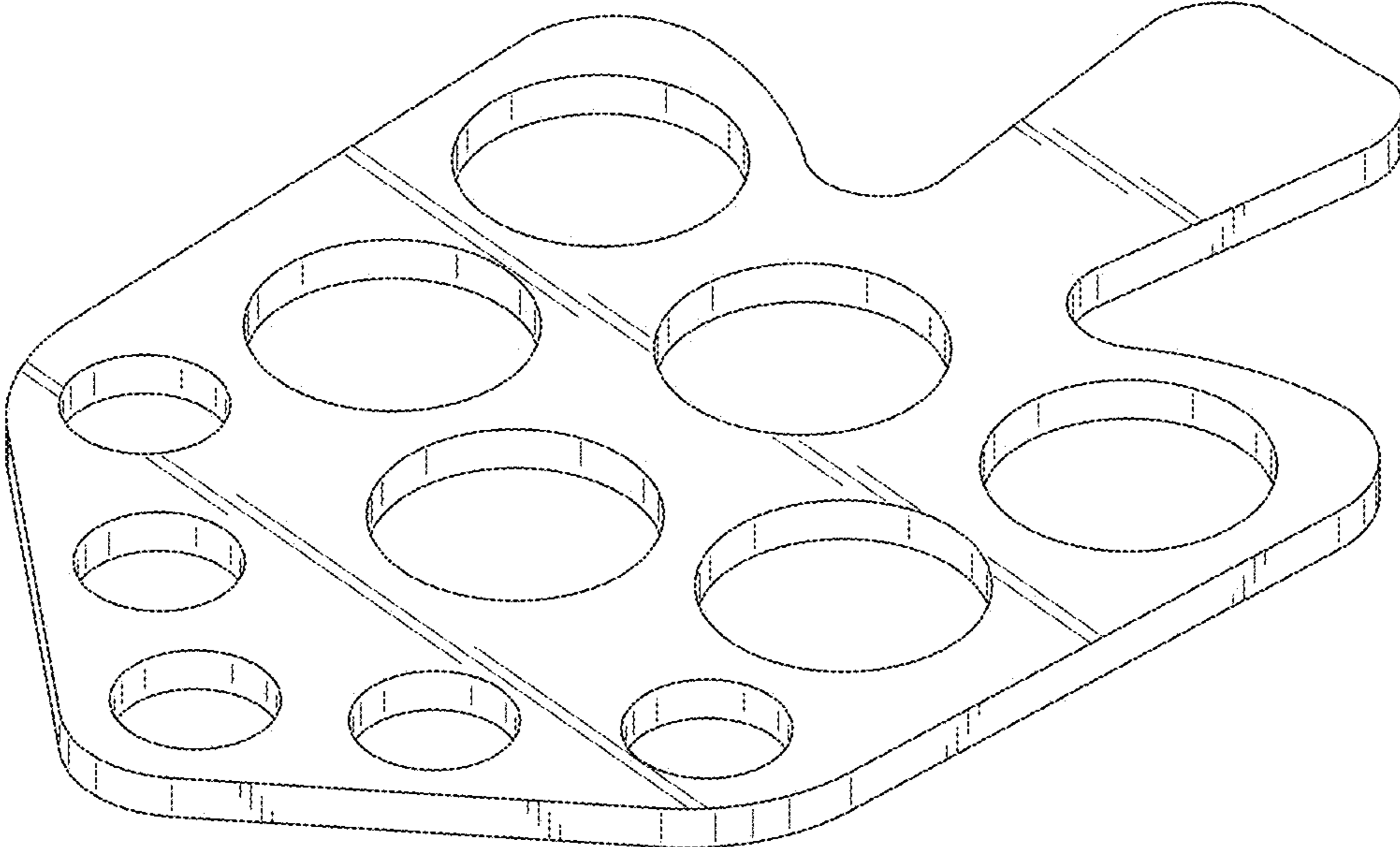


FIG. 1

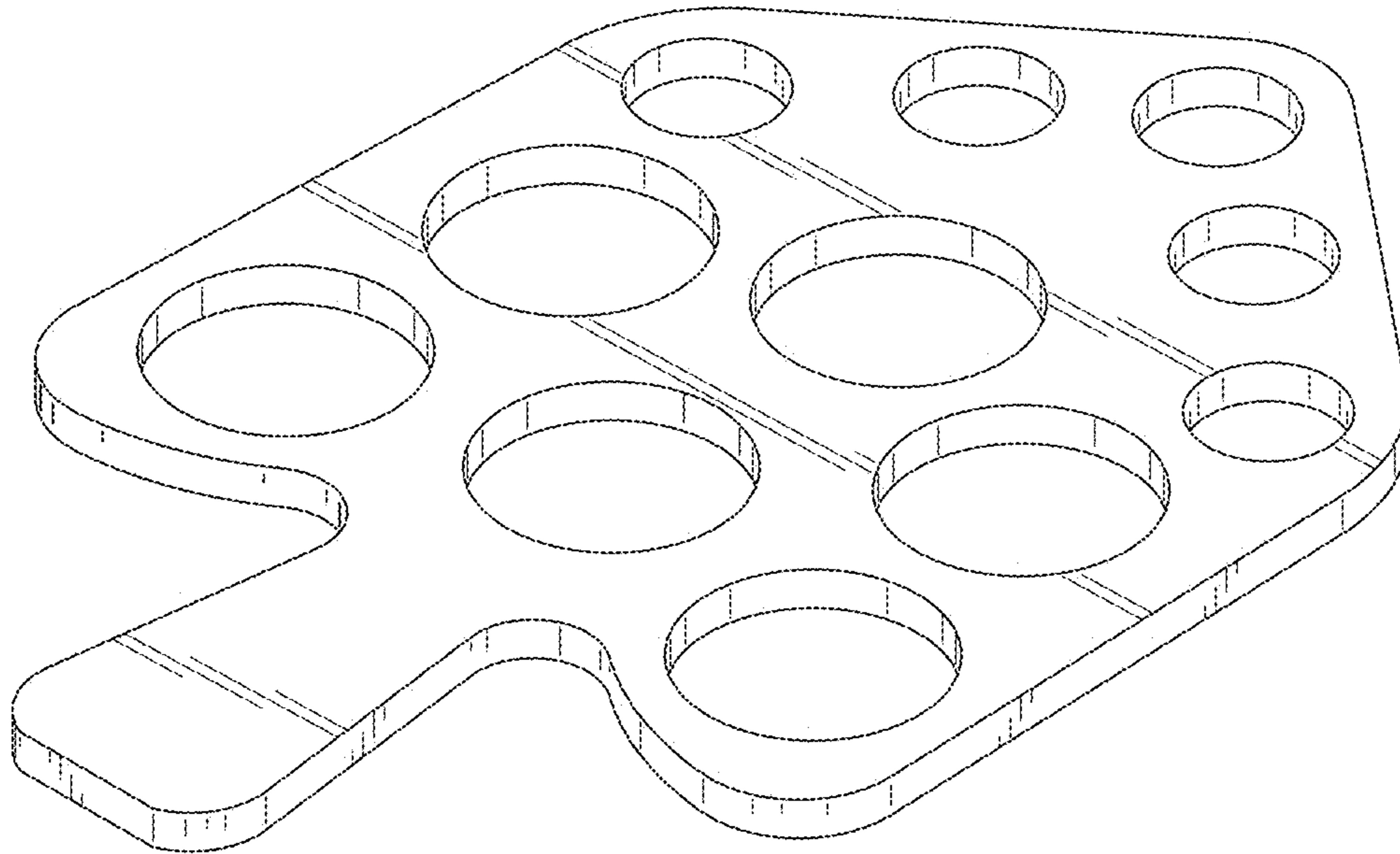


FIG. 2



FIG. 3

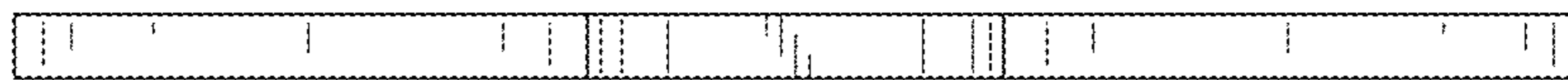


FIG. 4

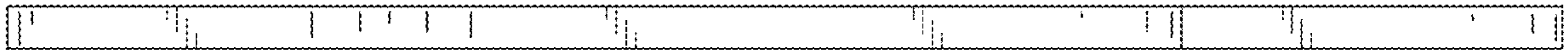


FIG. 5

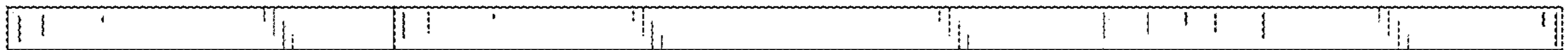


FIG. 6

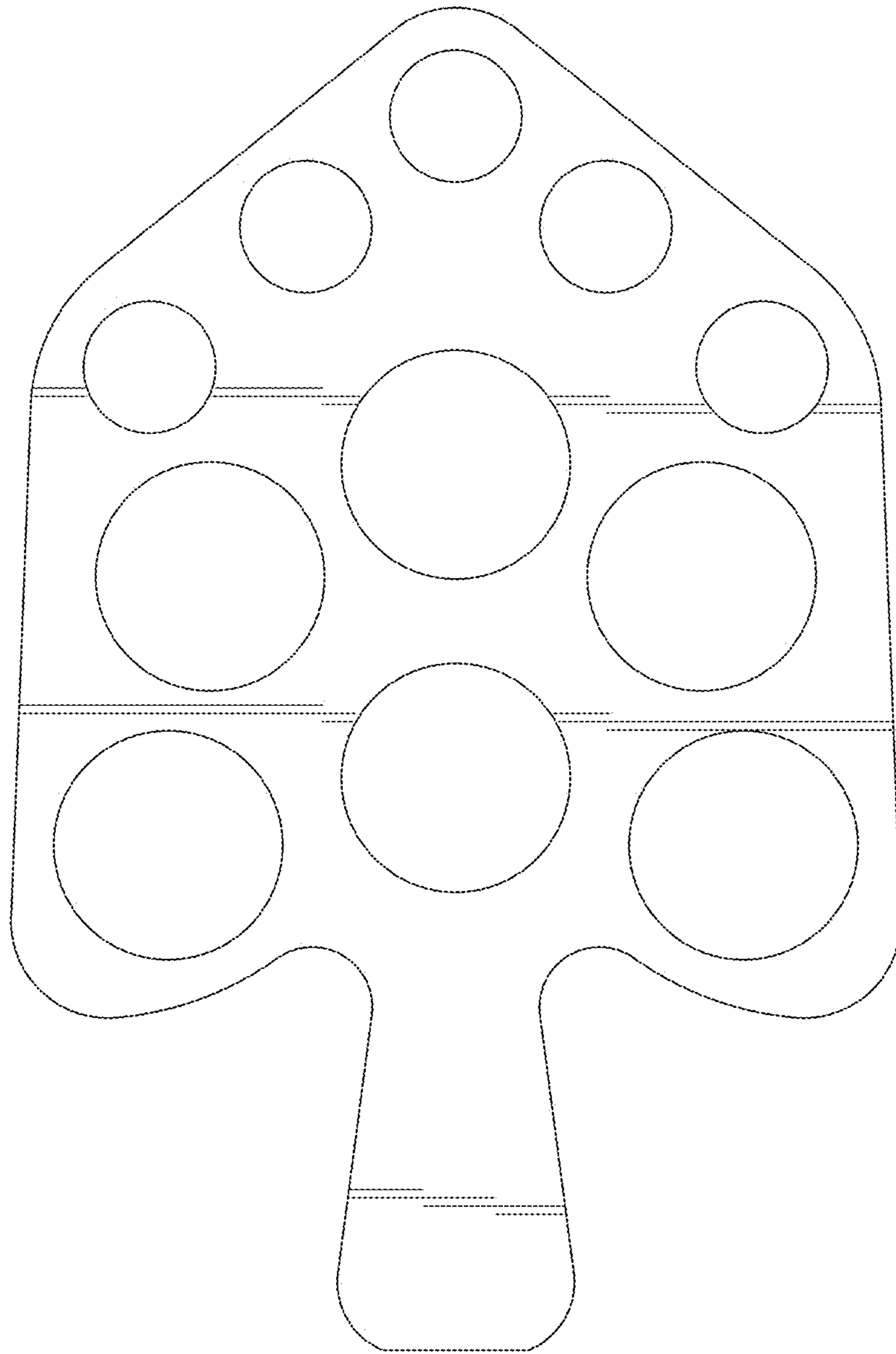


FIG. 7

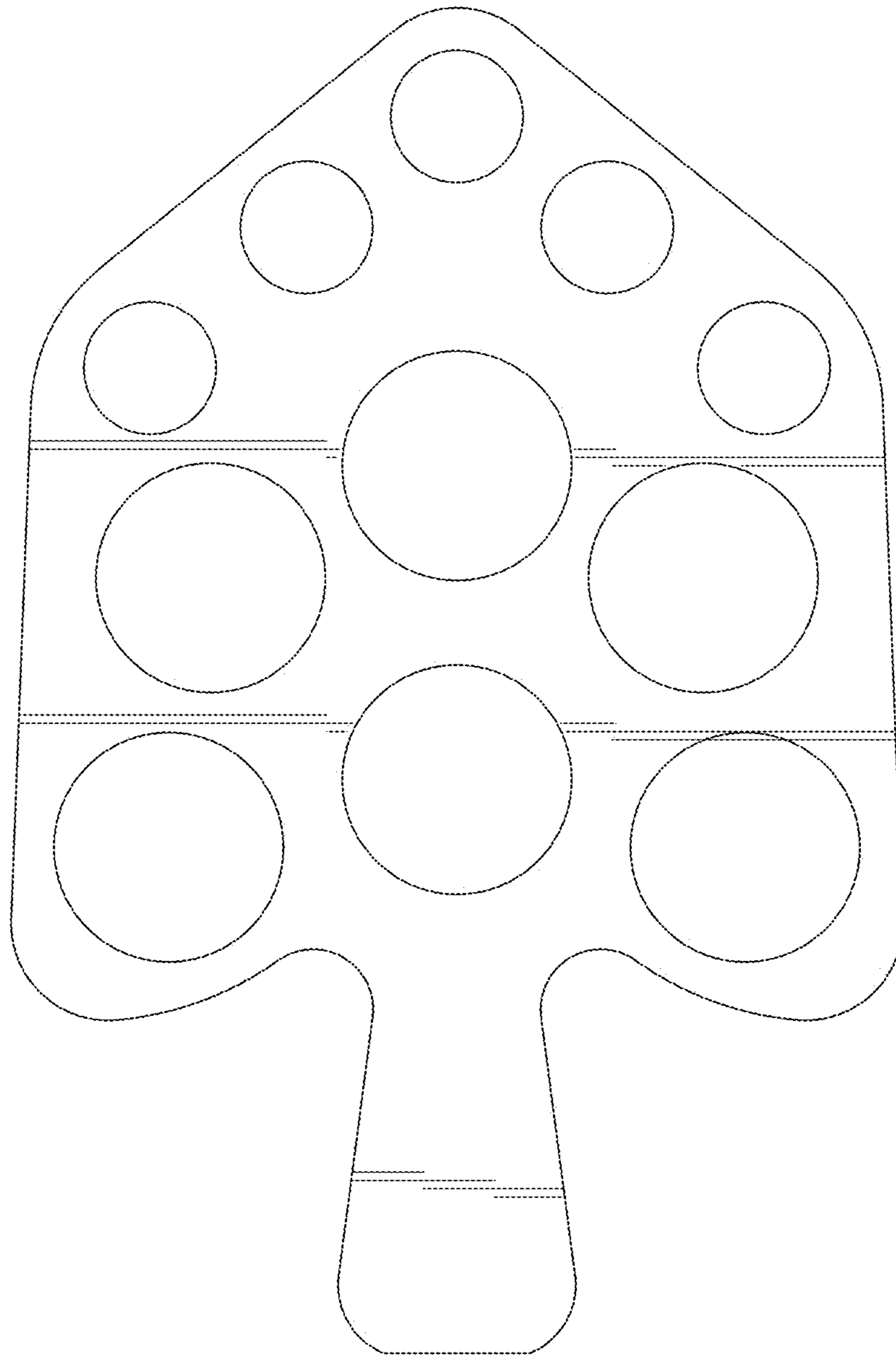


FIG. 8