



US00D981797S

(12) **United States Design Patent** (10) **Patent No.:** **US D981,797 S**
Soo (45) **Date of Patent:** **** Mar. 28, 2023**

(54) **CAKE DRUM**

FOREIGN PATENT DOCUMENTS

(71) Applicant: **Albert Pak-Kwan Soo**, Kwun Tong (HK)

CN 305957182 * 7/2020
KR 300851870.0000 * 4/2019
KR 301078135.0000 * 10/2020

(72) Inventor: **Albert Pak-Kwan Soo**, Kwun Tong (HK)

OTHER PUBLICATIONS

(**) Term: **15 Years**

Small Revolving Cake Stand, ICYANG, amazon.com, published by ICYANG, first available on Mar. 29, 2018 © 1996-2021 Amazon.com, Inc., online, site visited Jul. 2, 2022. Available at URL: <https://www.amazon.com/Revolving-Rotating-Turntable-Decorating-Supplies/dp/B07BSFXB1J> (Year: 2018).*

(21) Appl. No.: **29/776,703**

(22) Filed: **Mar. 31, 2021**

(51) **LOC (14) Cl.** **07-07**

(52) **U.S. Cl.**
USPC **D7/610**

(58) **Field of Classification Search**
USPC D7/294, 319, 368, 388, 392.1, 420, D7/548-549, 555, 601-603, 605, D7/610-611, 629-630, 637, 708.1, 709; D9/414-416, 423-425, 427, 430-432, D9/759-761, 428; D3/309
CPC A47G 19/26; A47G 2200/08; A47G 19/00
See application file for complete search history.

Primary Examiner — Holly E Thurman
Assistant Examiner — Altaira J Swangin
(74) *Attorney, Agent, or Firm* — QuickPatents, LLC; Kevin Prince

(57) **CLAIM**

The ornamental design for a cake drum, as shown and described.

DESCRIPTION

(56) **References Cited**

U.S. PATENT DOCUMENTS

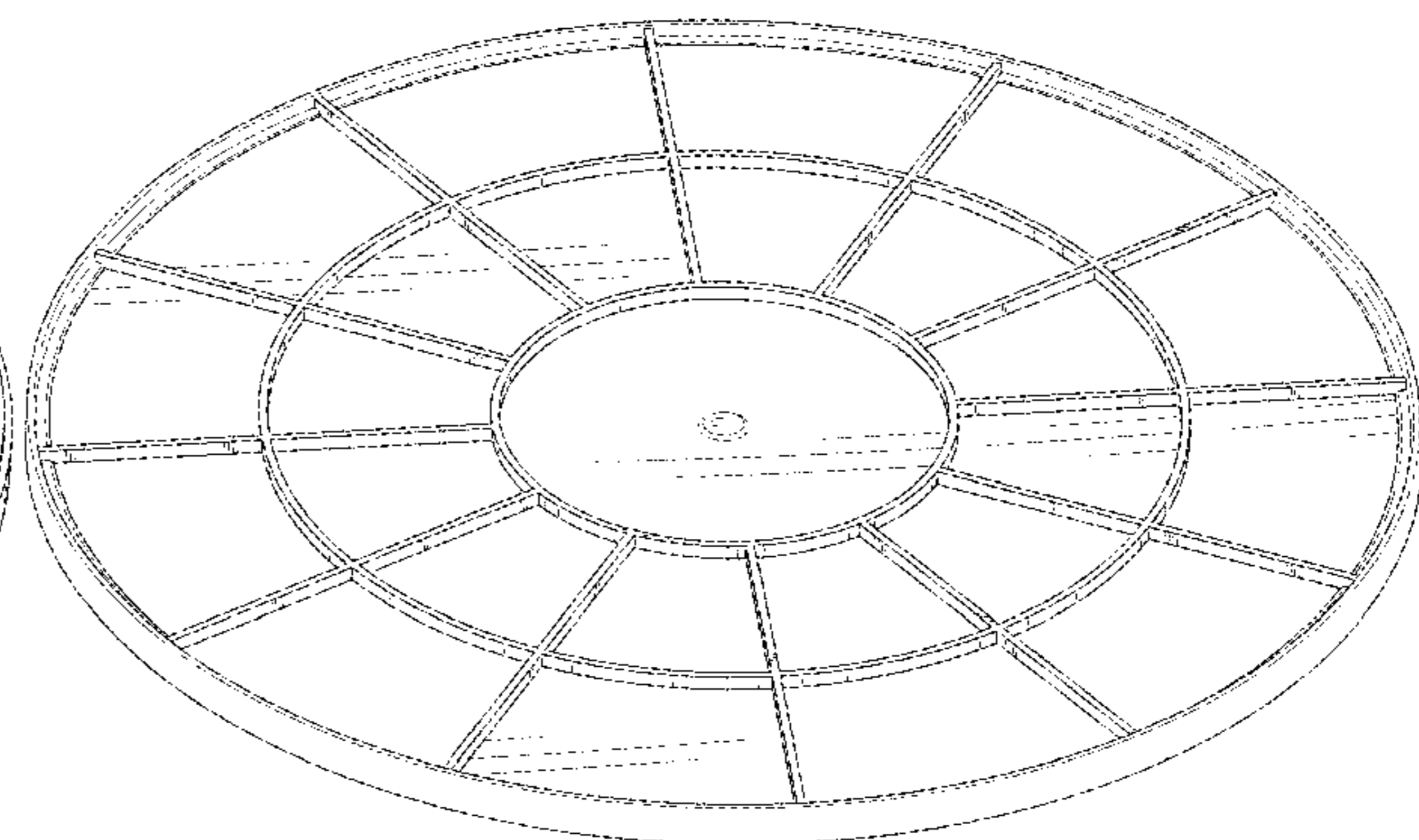
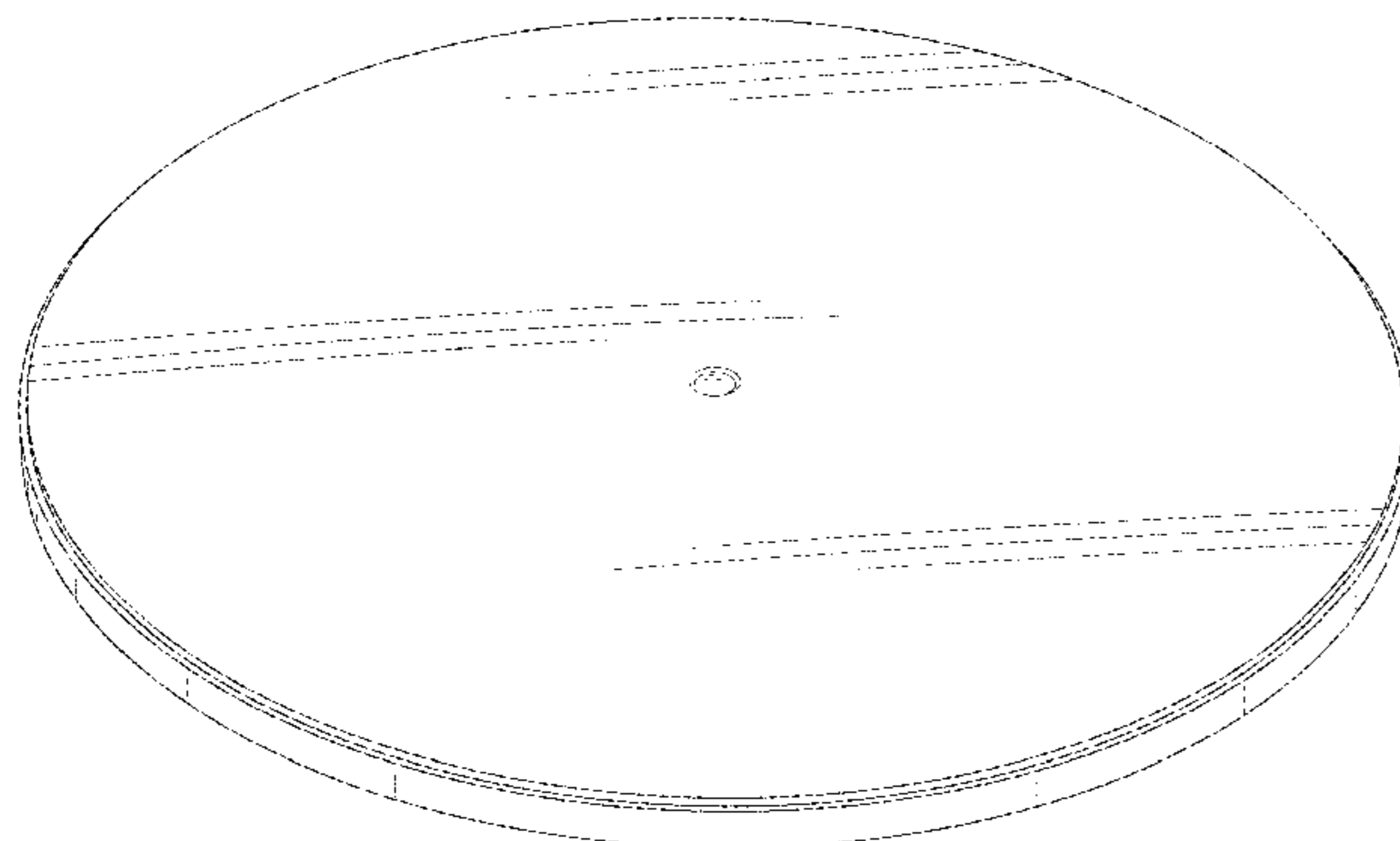
D156,860 S * 1/1950 Zaikaner D7/610
2,960,770 A * 11/1960 Valenta F21V 35/00
33/525
D214,391 S * 6/1969 Weiss 229/407
D225,254 S * 11/1972 Meaney D7/553.6
D230,573 S * 3/1974 Commisso D7/392.1
D230,574 S * 3/1974 Commisso D7/392.1
D245,384 S * 8/1977 Ashton 215/228
D316,655 S * 5/1991 Buday D7/673
5,082,677 A * 1/1992 Bear A47G 19/26
426/87
5,139,166 A * 8/1992 Smith A47G 19/30
D7/505
D331,524 S * 12/1992 Buday D7/673
D335,795 S * 5/1993 Conti D7/545
D343,340 S * 1/1994 Frye, Jr. D7/629

(Continued)

FIG. 1 is a top perspective view of a cake drum, showing my new design;
FIG. 2 is a bottom perspective view thereof;
FIG. 3 is a top plan view thereof;
FIG. 4 is a bottom plan view thereof;
FIG. 5 is a front elevational view thereof, the rear elevational view, left-side elevational view, and right-side elevational view all being identical thereto; and,
FIG. 6 is a partial section view taken along the cut line 6-6 as indicated in FIG. 3.

The dash-dot broken lines in FIG. 3 represent the section cut of the partial section view in FIG. 6 and form no part of the claimed design. The dash-dot broken lines in FIG. 6 represent the boundary line of the partial section view and form no part of the claimed design.

1 Claim, 4 Drawing Sheets



(56)

References Cited

U.S. PATENT DOCUMENTS

D369,905	S *	5/1996	Hunt	D3/273
D440,490	S *	4/2001	Lizzio	D9/428
D496,831	S *	10/2004	Strahota	D7/600.3
D661,953	S *	6/2012	Harshman	D7/610
D683,178	S *	5/2013	Su	D7/354
D731,263	S *	6/2015	Zila	D7/672
D751,392	S *	3/2016	Wu	D7/392.1
10,213,048	B2 *	2/2019	Lee	F24C 15/166
D872,599	S *	1/2020	Krueger	D9/761
D892,633	S *	8/2020	Chiang	D9/761
D893,247	S *	8/2020	Chiang	D7/396.6
2010/0122930	A1 *	5/2010	Manca	B65D 51/1611 206/551
2019/0292007	A1 *	9/2019	Khan	B65D 85/04
2020/0238549	A1 *	7/2020	Abramsky	A45D 27/00

* cited by examiner

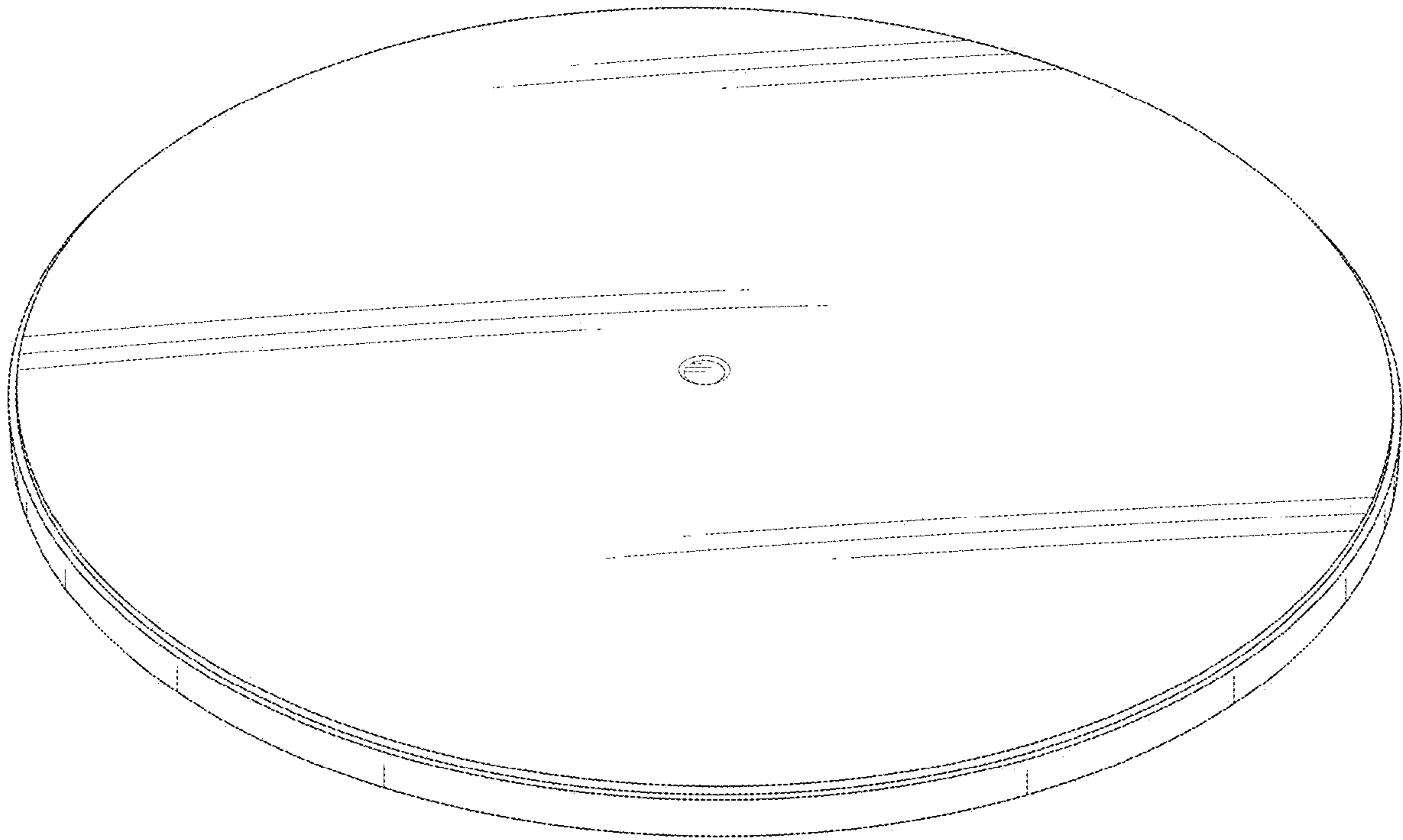


FIG. 1

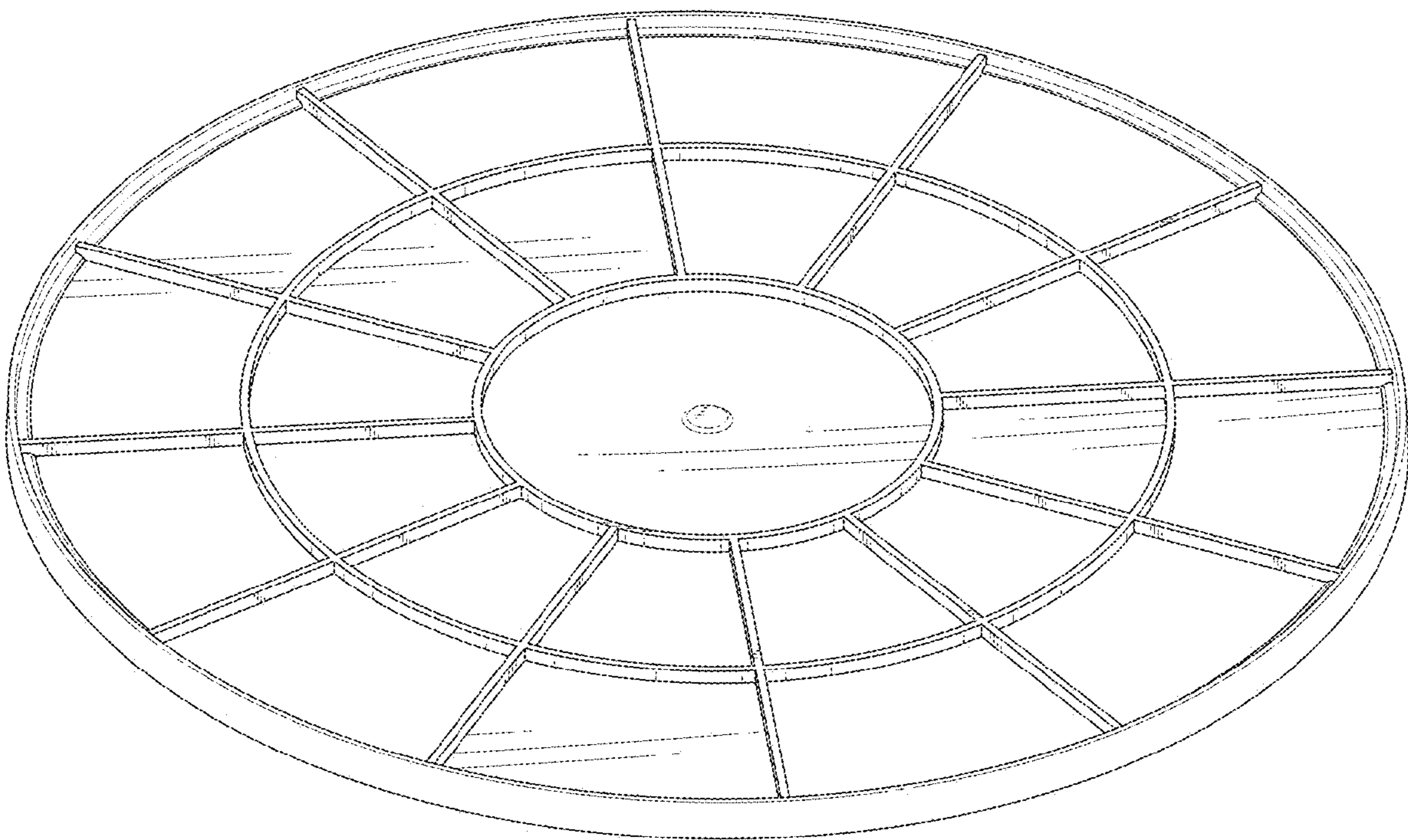


FIG. 2

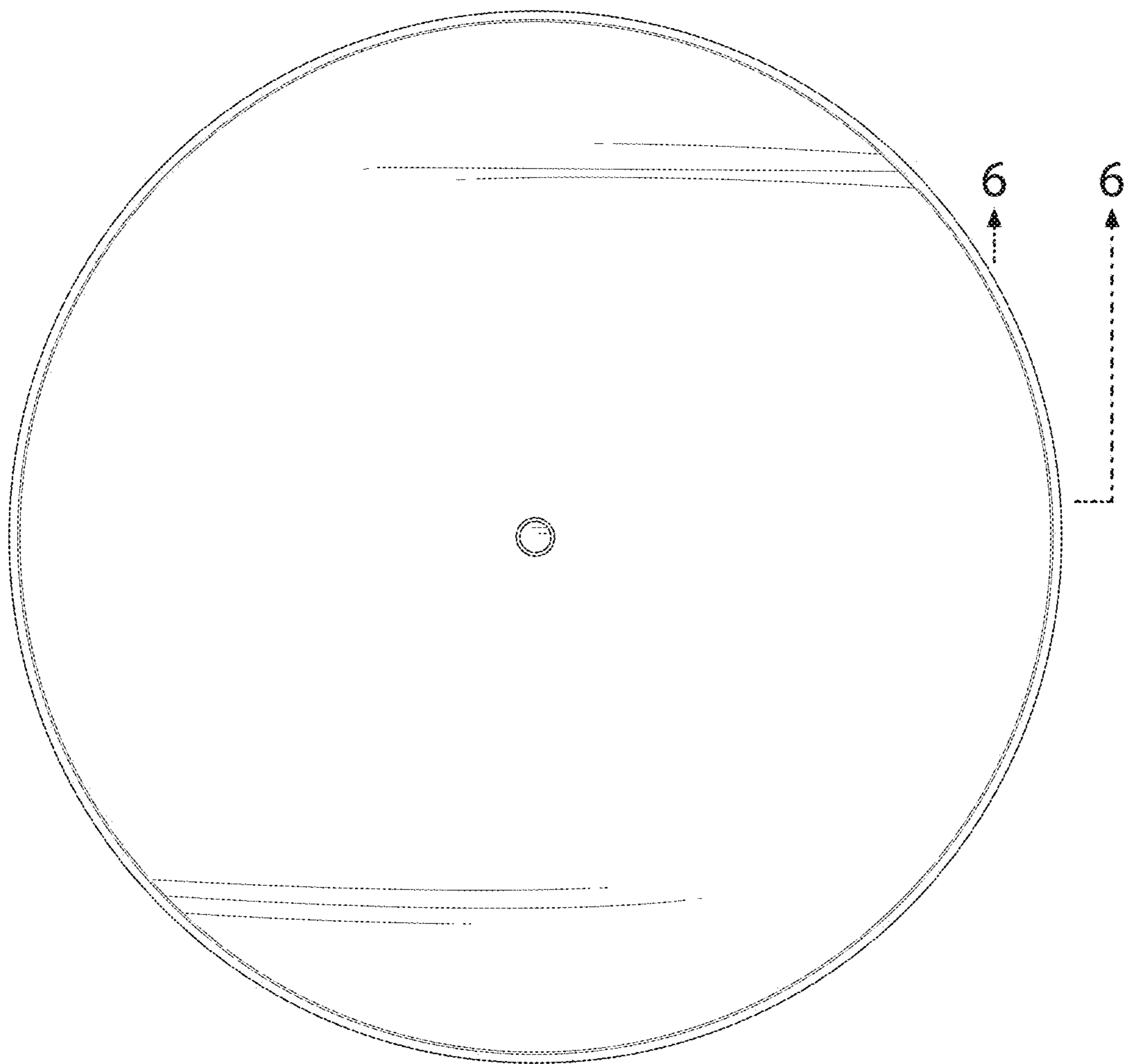


FIG. 3

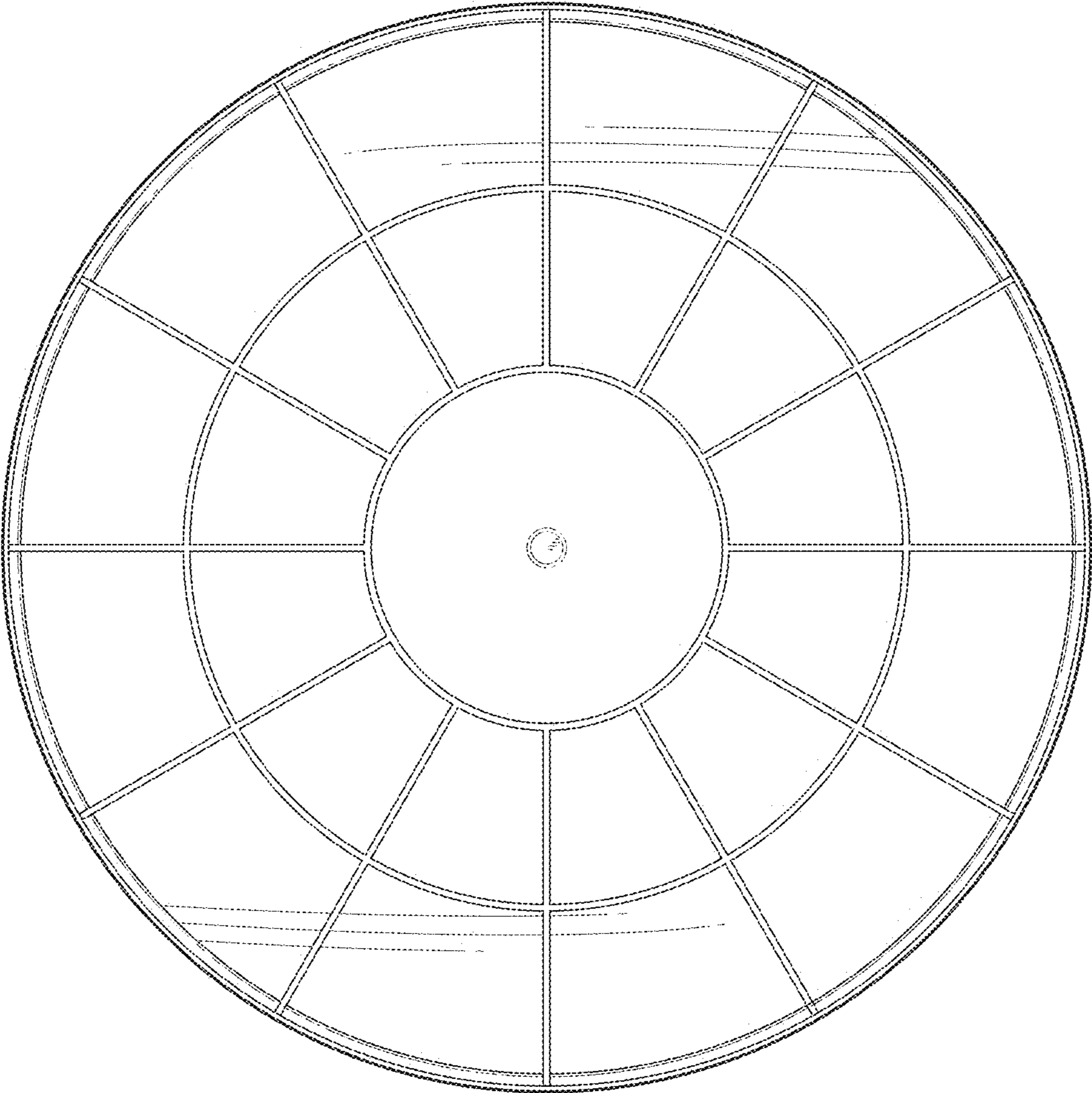


FIG. 4



FIG. 5

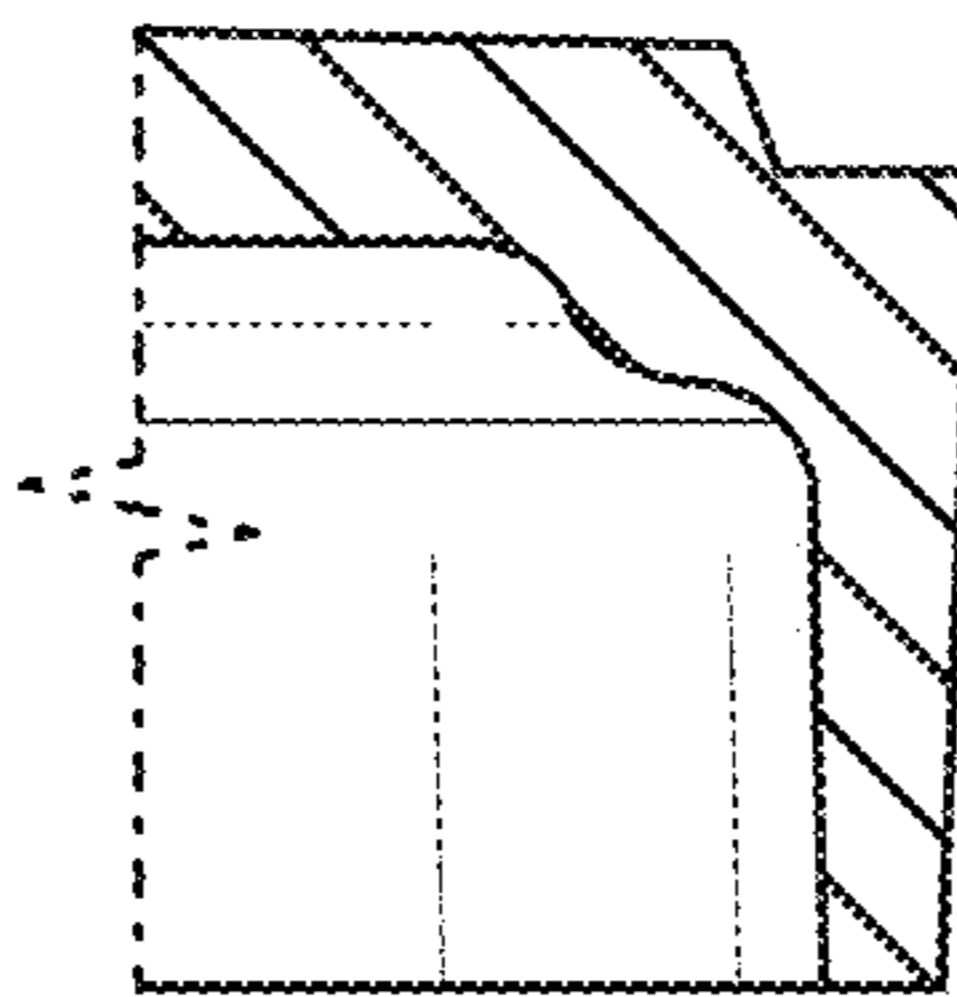


FIG. 6