



US00D981795S

(12) **United States Design Patent**
Zhong

(10) **Patent No.:** **US D981,795 S**
(45) **Date of Patent:** **** Mar. 28, 2023**

(54) **FOOD CONTAINER LIDS HOLDER**

D530,570 S * 10/2006 Krueger D7/601
D628,856 S * 12/2010 Wang D7/637
D772,017 S * 11/2016 Tsai D7/704

(71) Applicant: **XIAMEN LEGENDA ELECTRONIC TECHNOLOGY COMPANY LIMITED**, Xiamen (CN)

(Continued)

(72) Inventor: **Wenda Zhong**, Xiamen (CN)

(73) Assignee: **XIAMEN LEGENDA ELECTRONIC TECHNOLOGY COMPANY LIMITED**, Xiamen (CN)

OTHER PUBLICATIONS

YouCopia StoraLid Food Container Lid Organizer, first available Sep. 7, 2018, Amazon, [online], [site visited Dec. 8, 2022], Available from internet URL: <https://www.amazon.com/YouCopia-50100-StoraLid-Container-Organizer/dp/B07FNRXFTD> (Year: 2018).*

(Continued)

(**) Term: **15 Years**

Primary Examiner — Mary Ann Calabrese

(21) Appl. No.: **29/804,929**

Assistant Examiner — Natalya M Rapundalo

(22) Filed: **Aug. 24, 2021**

(74) *Attorney, Agent, or Firm* — Bayramoglu Law Offices LLC

(30) **Foreign Application Priority Data**

(57) **CLAIM**

The ornamental design for a food container lids holder, as shown and described.

Feb. 26, 2021 (CN) 202130109505.2

DESCRIPTION

(51) **LOC (14) Cl.** **07-09**

(52) **U.S. Cl.**
USPC **D7/601**

(58) **Field of Classification Search**
USPC D7/354, 359, 360, 500, 543, 545, 548, D7/550.1, 552.1, 554.1, 554.2, 554.4, D7/584, 586, 587, 600.1–600.4, 601, 602, D7/630, 632, 637, 701–704, 707, 708; D3/304, 313; D32/55, 56
CPC A47B 57/00; A47B 57/58; A47B 77/04; A47B 77/14; A47J 47/00; A47J 47/16; A47L 19/00; A47L 19/02; A47L 19/04
See application file for complete search history.

FIG. 1 is a top perspective view of a food container lids holder showing my new design;
FIG. 2 is a top view thereof;
FIG. 3 is a bottom view thereof;
FIG. 4 is a right side view thereof;
FIG. 5 is a left side view thereof;
FIG. 6 is a front view thereof, a rear view being a mirror image of the front view;
FIG. 7 is a bottom perspective view thereof;
FIG. 8 is a bottom perspective view thereof, shown in an extended configuration of use;
FIG. 9 is a top perspective view thereof, shown in an extended configuration of use with partitions; and,
FIG. 10 is a top perspective view thereof, shown with partitions.

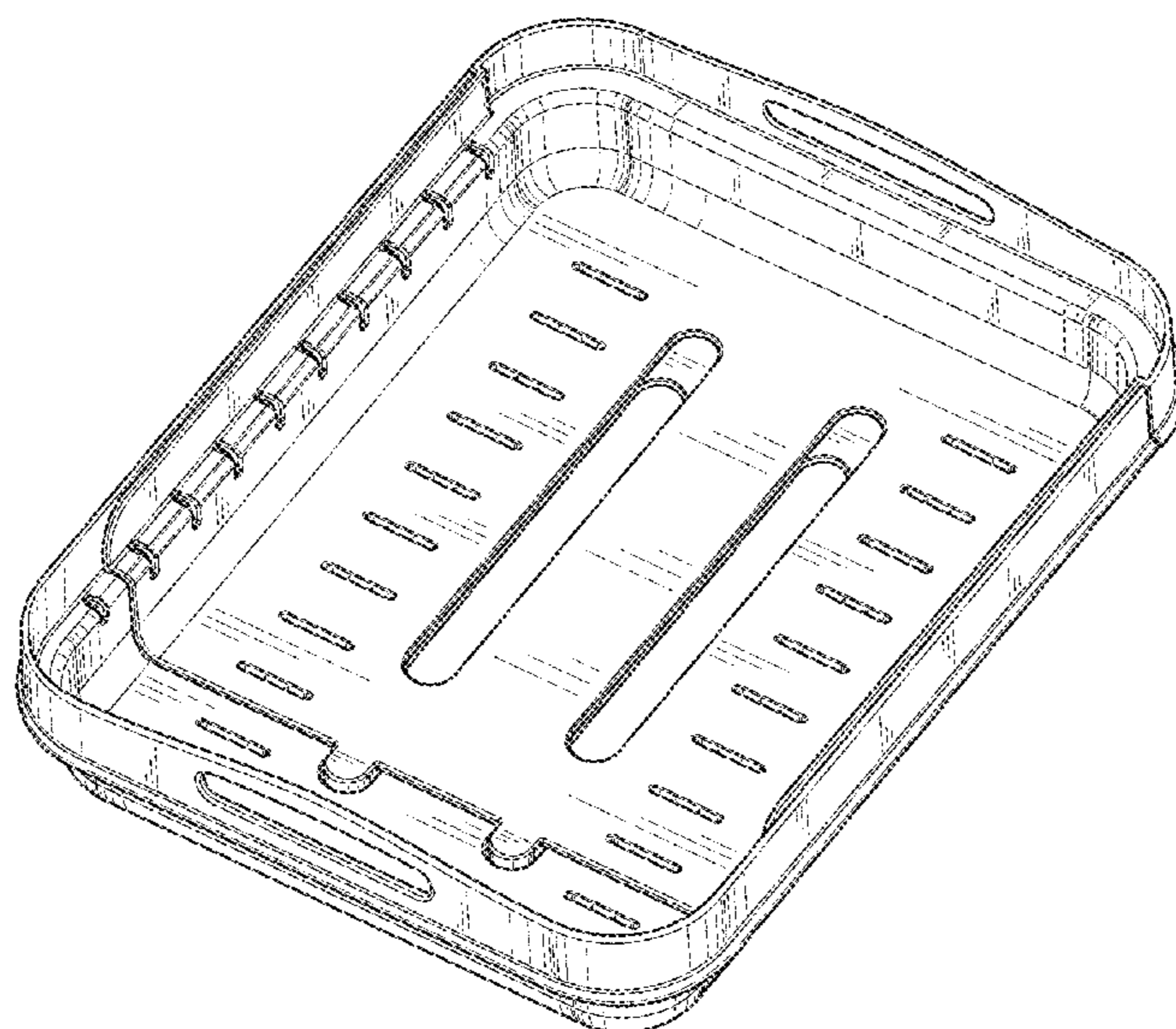
The broken lines in the drawings illustrate partitions and represent environmental structure that forms no part of the claimed design.

(56) **References Cited**

U.S. PATENT DOCUMENTS

D272,505 S * 2/1984 Daenen D9/425
D500,638 S * 1/2005 Srivastava D7/601
D503,574 S * 4/2005 Yao D7/637

1 Claim, 10 Drawing Sheets



(56)

References Cited

U.S. PATENT DOCUMENTS

D773,897 S * 12/2016 Greenwood D7/601
9,949,595 B1 * 4/2018 Greenwood A47J 47/16
D826,660 S * 8/2018 Klein A47J 47/16
D7/704
D869,895 S * 12/2019 Lee D7/359
D915,160 S * 4/2021 Madigan D7/703
D935,774 S * 11/2021 Liu D3/313
11,206,965 B1 * 12/2021 Greenwood A47L 19/04
D969,573 S * 11/2022 Zhong D7/704

OTHER PUBLICATIONS

Everie Food Container Lid Organizer, first available Jan. 21, 2021, Amazon, [online], [site visited Dec. 6, 2022], Available from internet URL: <https://www.amazon.com/EVERIE-Container-Organizer-Compatible-Cabinets/dp/B08TMDNSSN> (Year: 2021).*

Everie Extendable Food Container Lid Organizer, first available Apr. 6, 2021, Amazon, [online], [site visited Dec. 9, 2022], Available from internet URL: <https://www.amazon.com/EVERIE-Extendable-Container-Organizer-Compatible/dp/B091SZRV9J> (Year: 2021).*

* cited by examiner

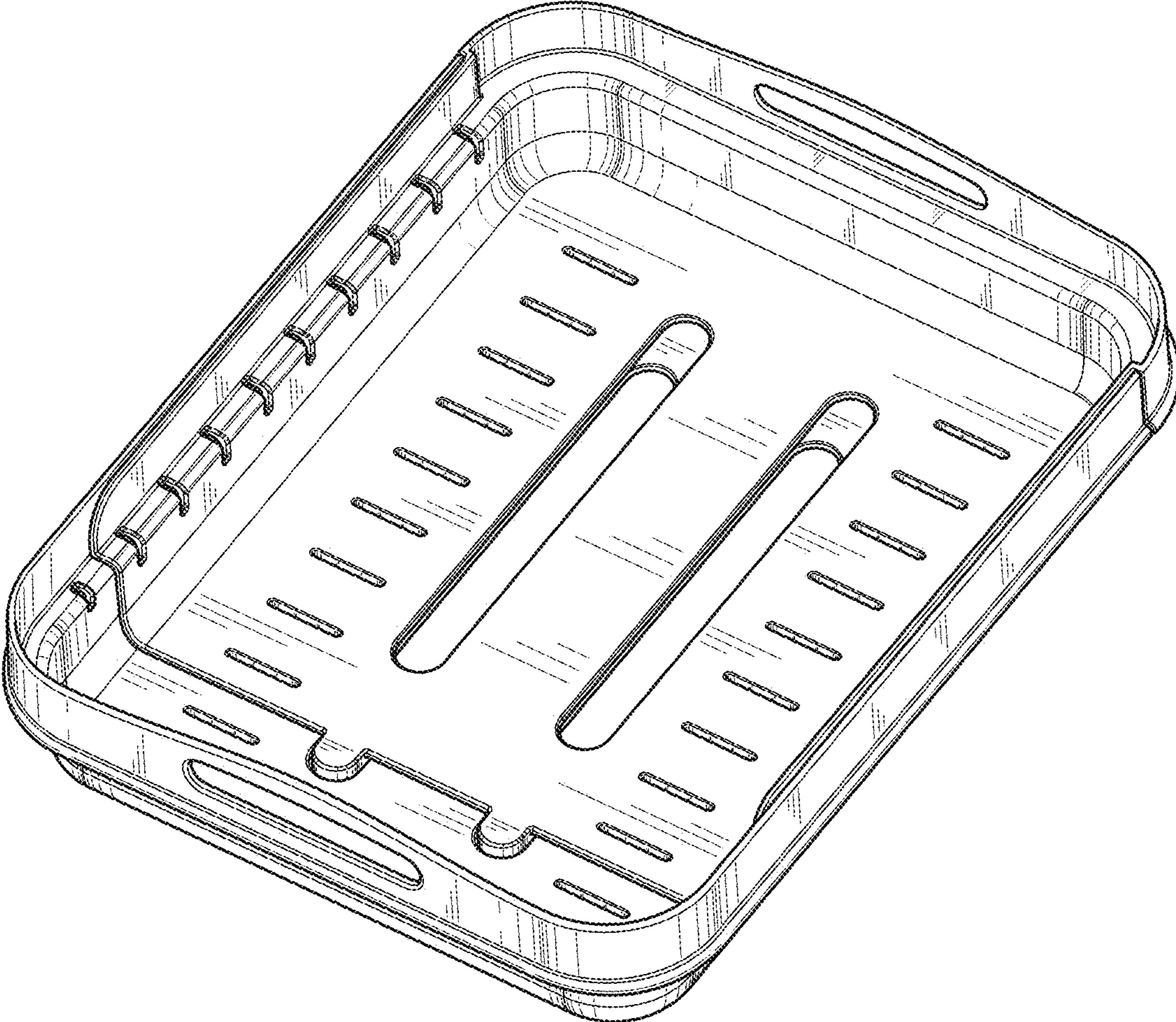


Fig. 1

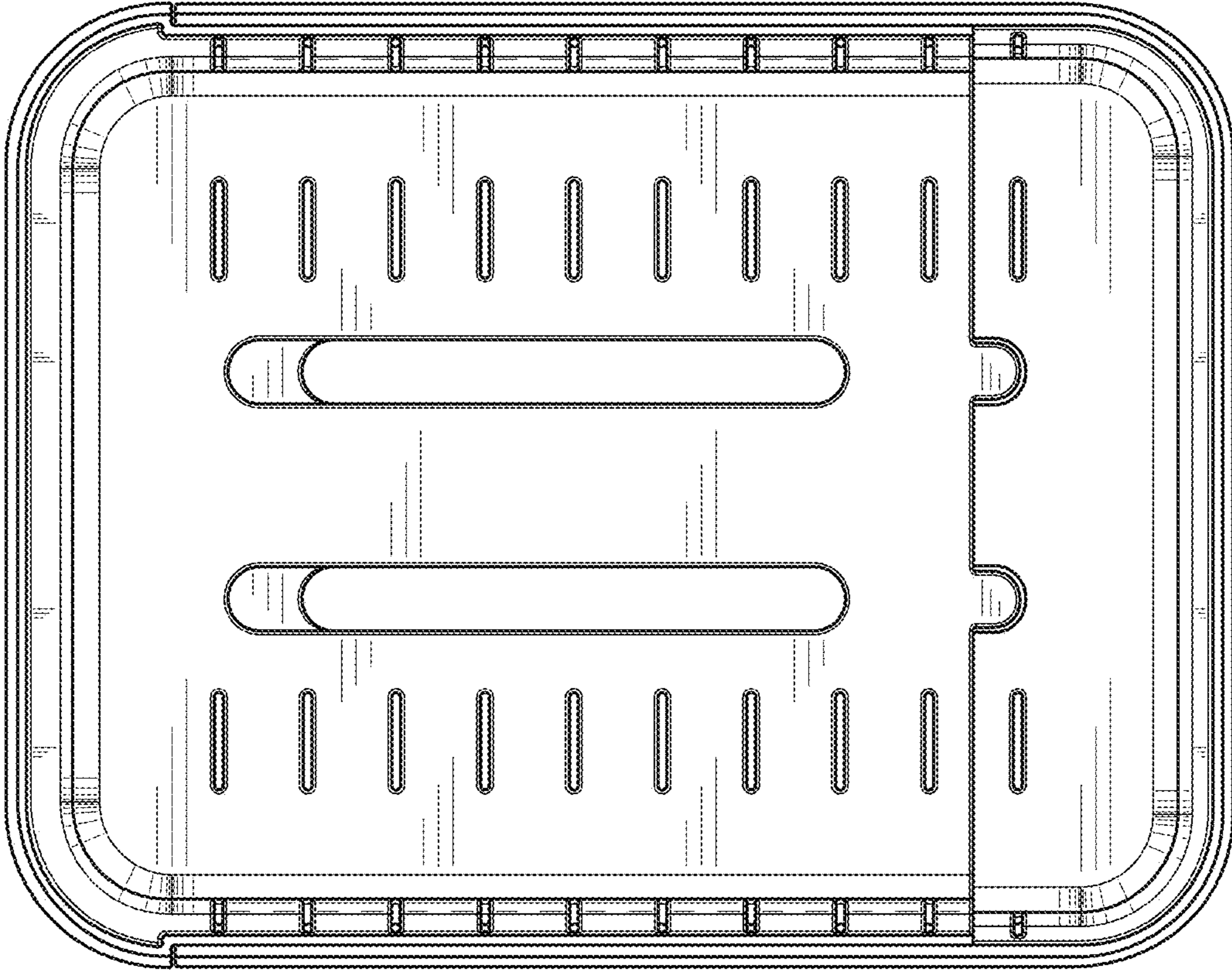


Fig. 2

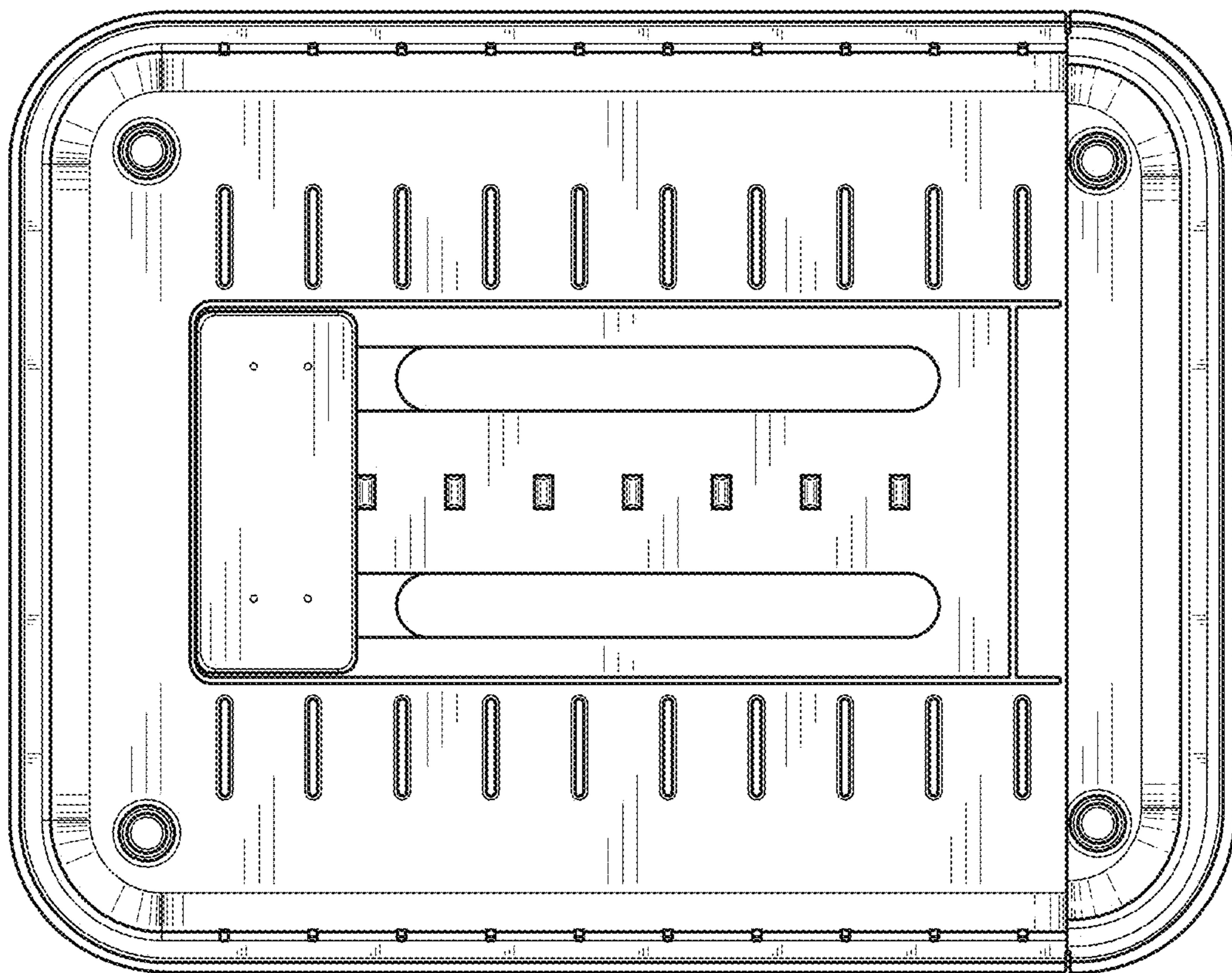


Fig. 3

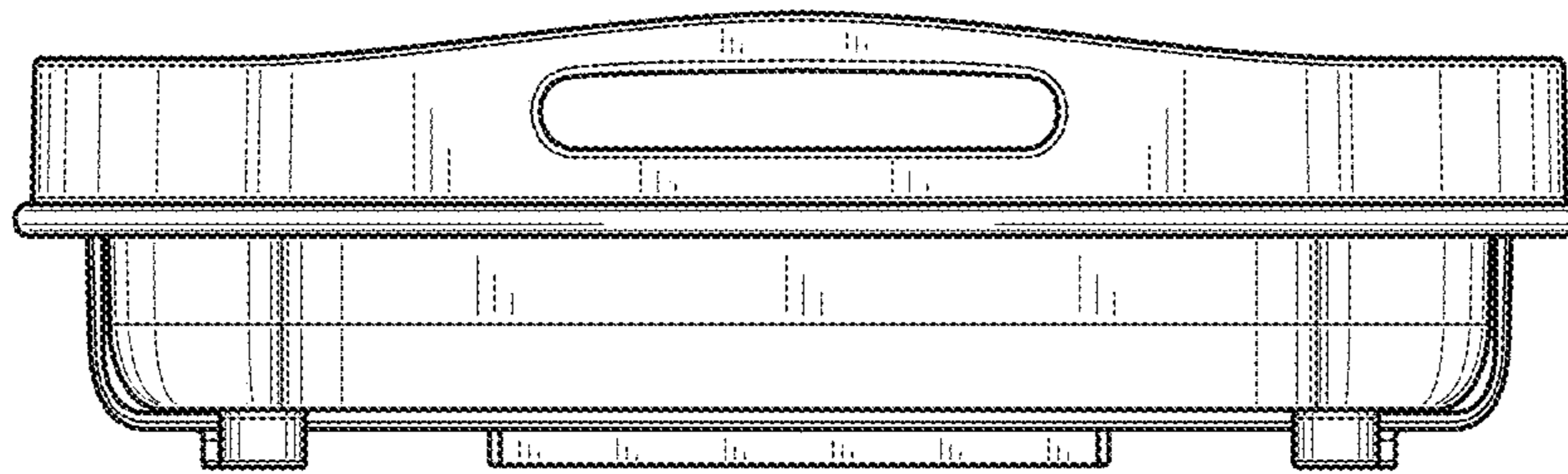


Fig. 4

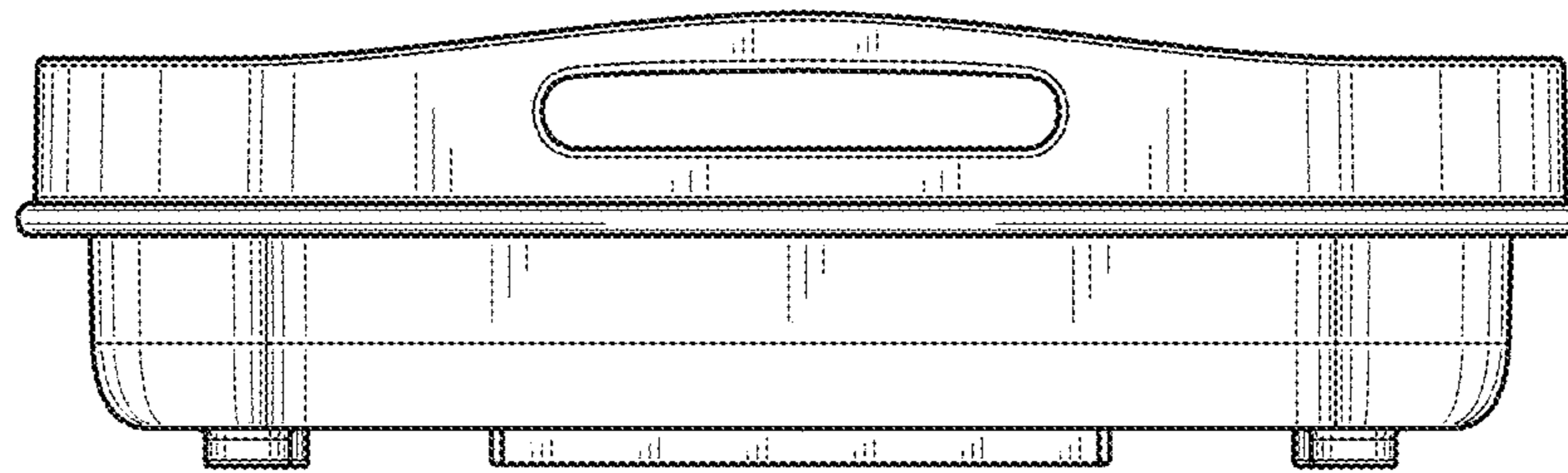


Fig. 5

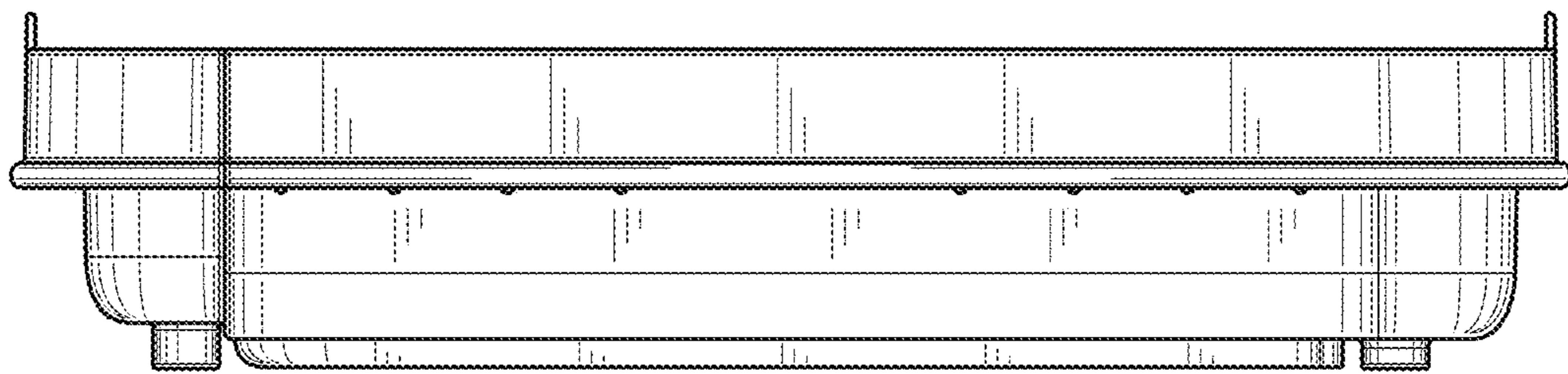


Fig. 6

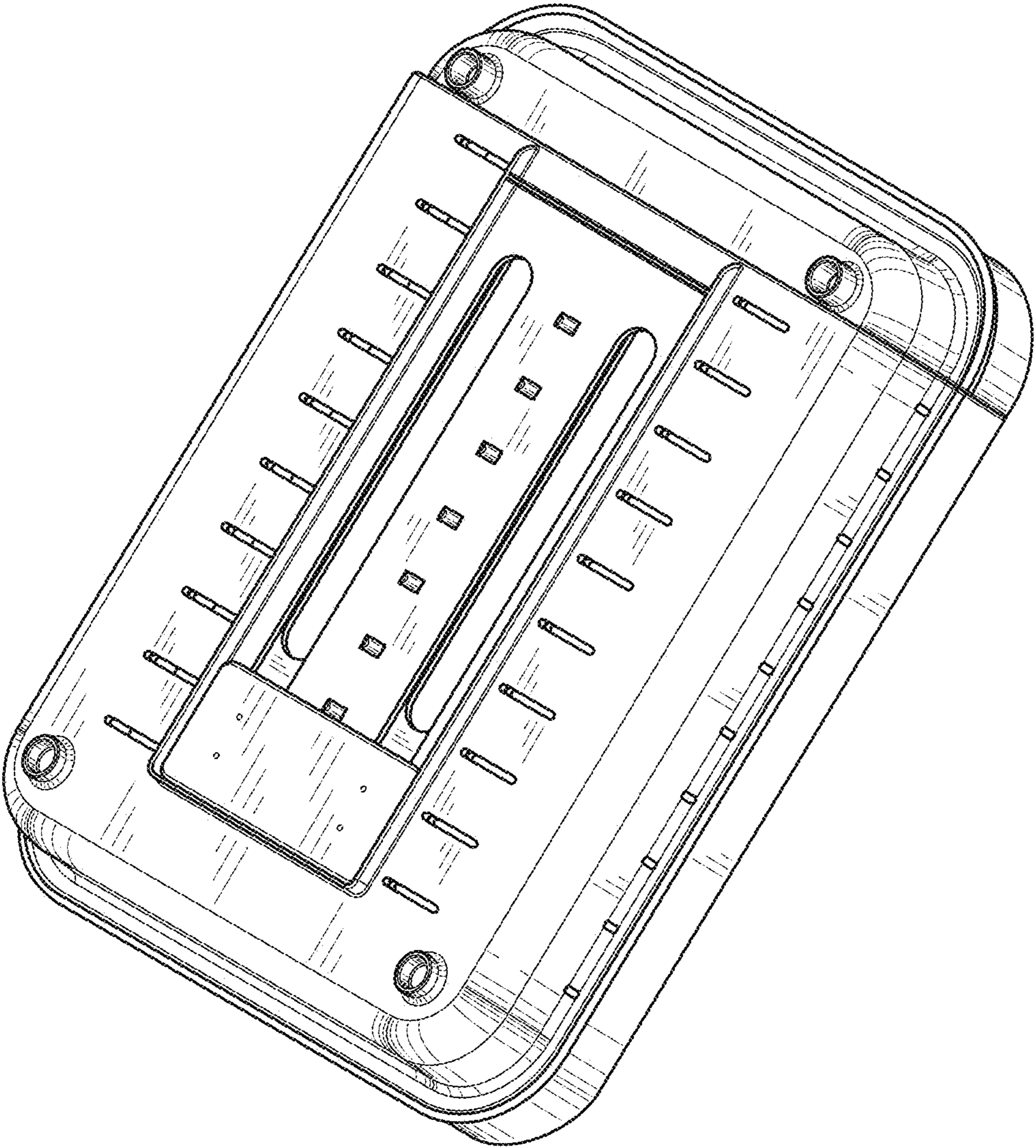


Fig. 7

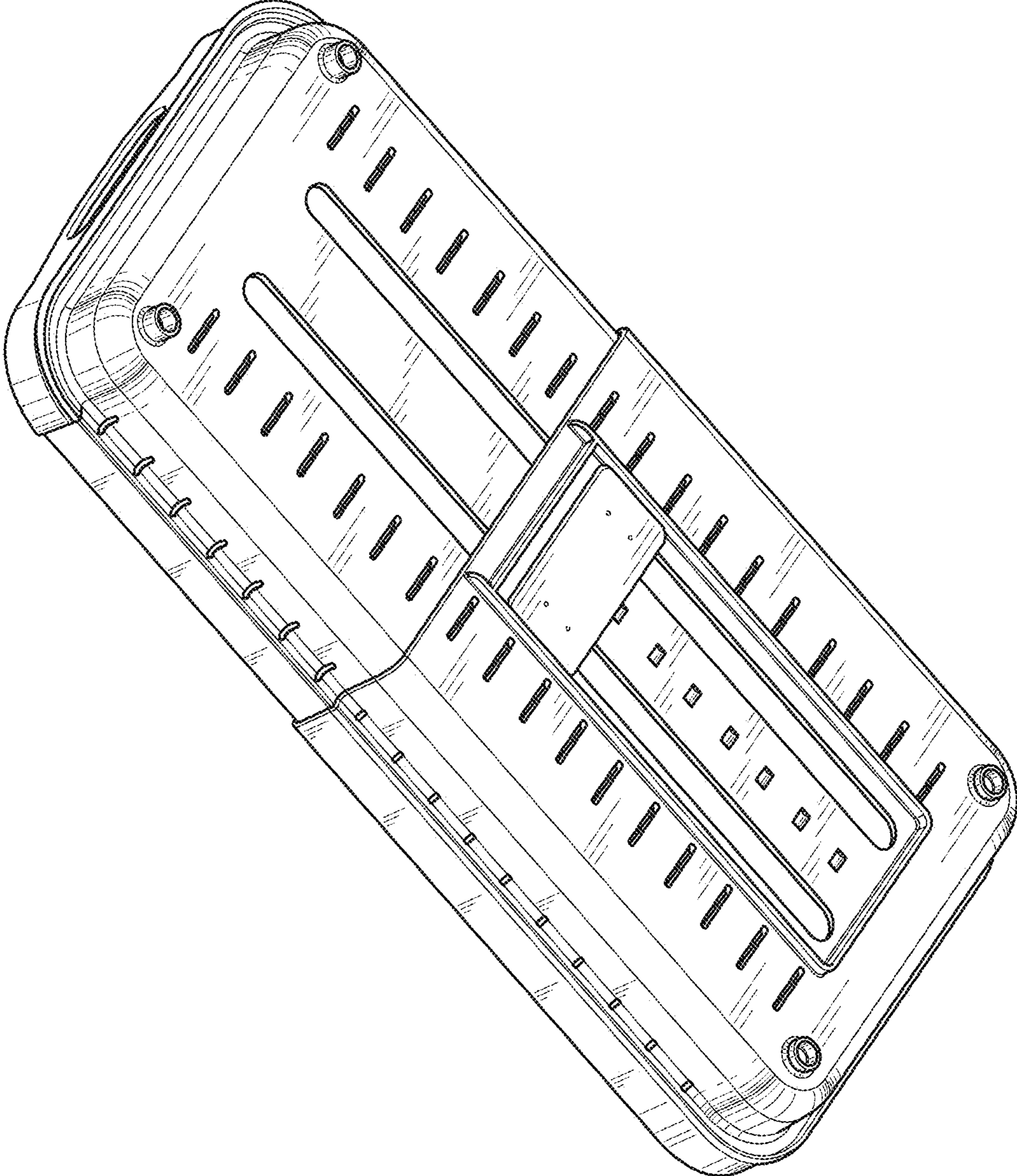


Fig. 8

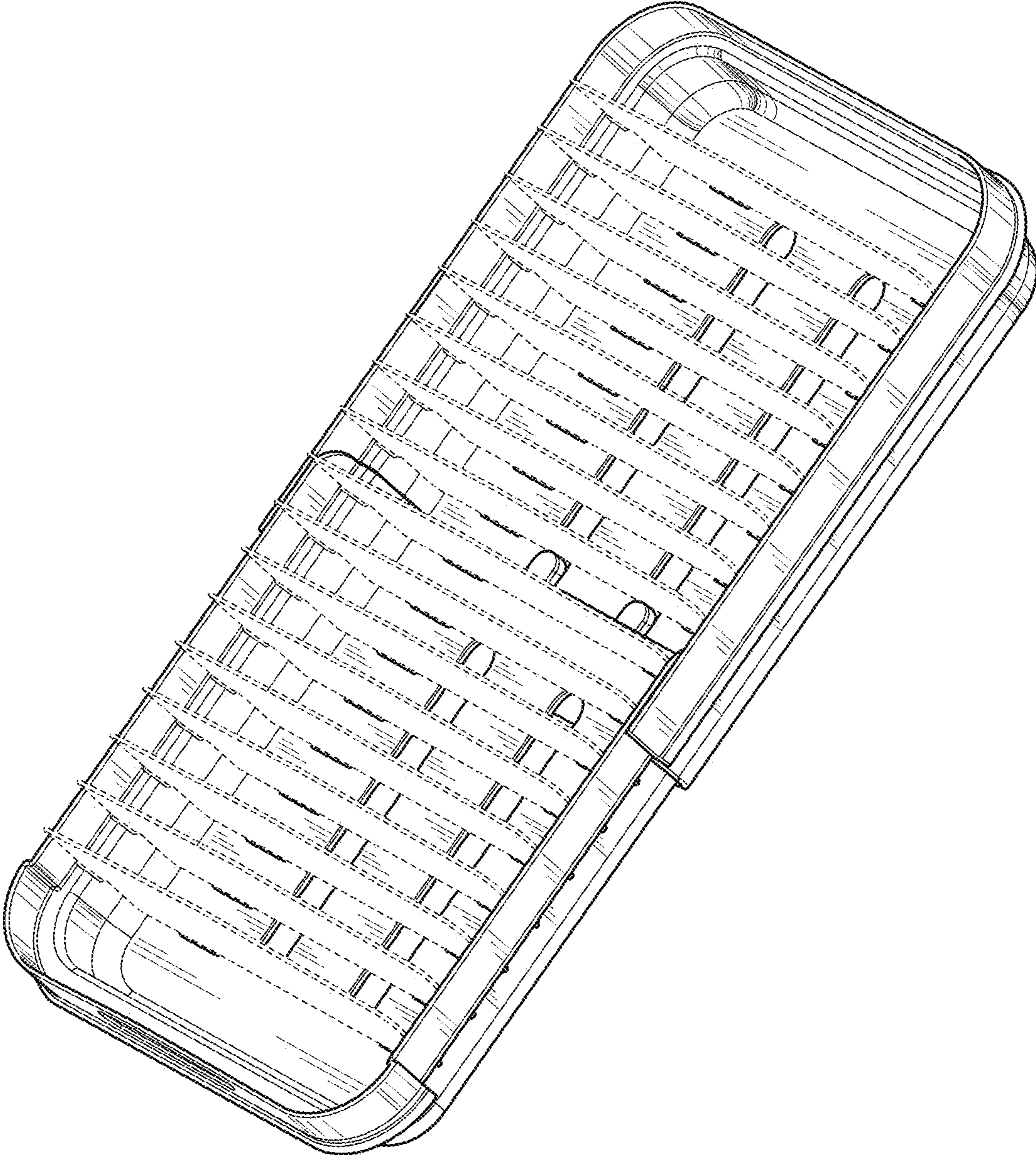


Fig. 9

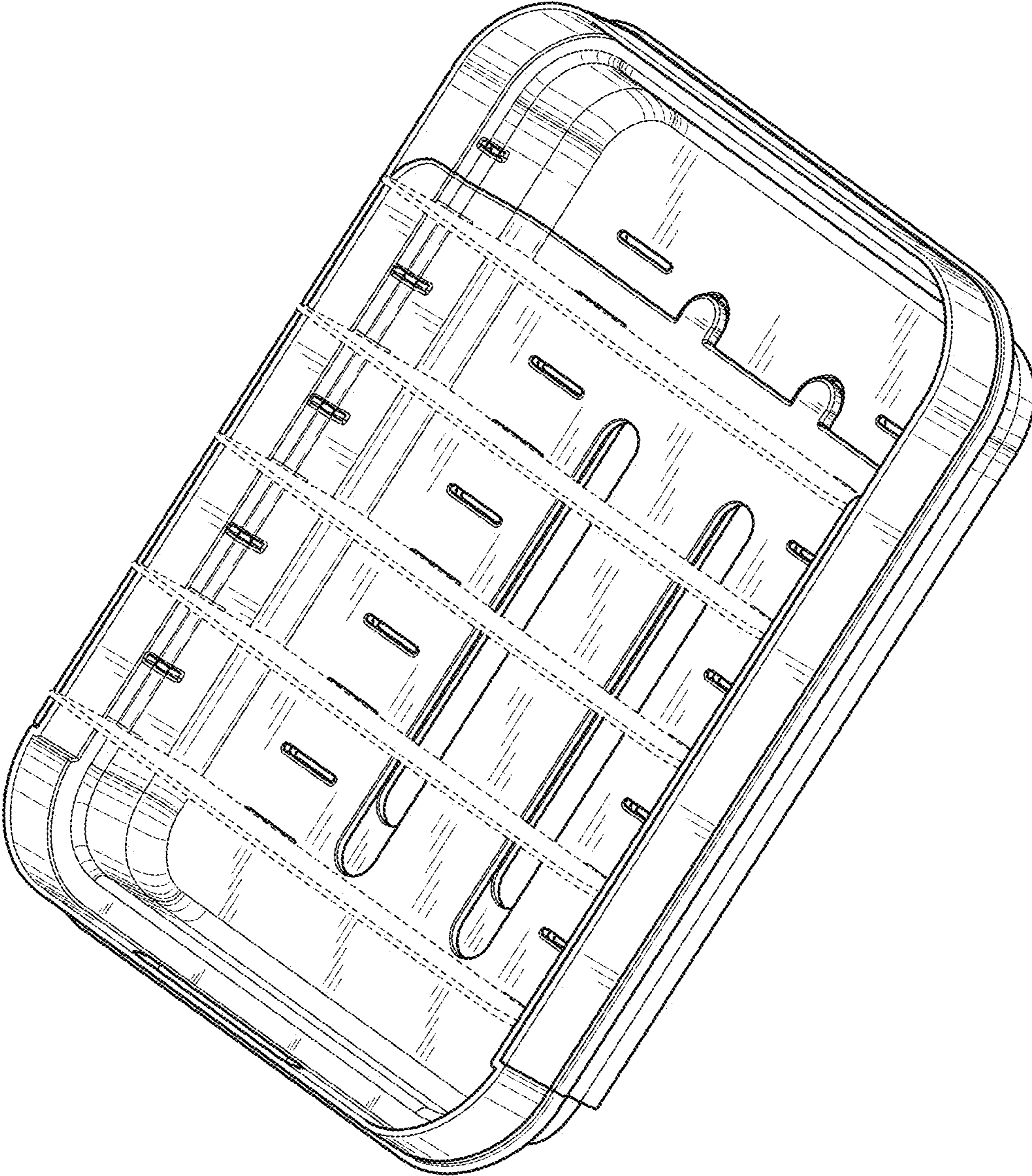


Fig. 10