



US00D981794S

(12) **United States Design Patent**
Zhong

(10) **Patent No.:** **US D981,794 S**
(45) **Date of Patent:** **** Mar. 28, 2023**

(54) **DRAWER**
(71) Applicant: **XIAMEN LEGENDA ELECTRONIC TECHNOLOGY COMPANY LIMITED**, Xiamen (CN)
(72) Inventor: **Wenda Zhong**, Xiamen (CN)
(73) Assignee: **XIAMEN LEGENDA ELECTRONIC TECHNOLOGY COMPANY LIMITED**, Xiamen (CN)

D750,442 S * 3/2016 Tiemann A47B 88/994
D789,749 S * 6/2017 Tsai D7/600.1
D831,430 S * 10/2018 Hertaus D7/600.1
D833,829 S * 11/2018 Hertaus D7/600.1
D920,750 S * 6/2021 Zhong D7/703
D923,420 S * 6/2021 Zhong D7/600.1
2015/0136718 A1* 5/2015 Sabounjian A47B 88/994
211/85.4

(**) Term: **15 Years**
(21) Appl. No.: **29/777,538**
(22) Filed: **Apr. 7, 2021**

(30) **Foreign Application Priority Data**

Feb. 10, 2021 (CN) 202130095799.8
(51) **LOC (14) Cl.** **07-99**
(52) **U.S. Cl.**
USPC **D7/600.1**
(58) **Field of Classification Search**
USPC ... D7/590, 600.1-600.4, 601, 602, 629, 630,
D7/632, 701-704, 708; D3/201, 273,
D3/297, 315; D6/705; D19/75
CPC A47B 88/00; A47B 88/40; A47J 31/44;
A47J 47/16
See application file for complete search history.

(56) **References Cited**

U.S. PATENT DOCUMENTS

D694,588 S * 12/2013 Tsai D7/600.1
D713,692 S * 9/2014 Tsai D7/600.1
D722,831 S * 2/2015 Tuang D7/600.1
D739,680 S * 9/2015 Smeja D7/600.1
D743,748 S * 11/2015 Tiemann D7/600.1

OTHER PUBLICATIONS

Everie Crystal Tempered Glass Top Organizer Drawer Holder, first available Mar. 22, 2021, Amazon, [online], [site visited Dec. 6, 2022], Available from internet URL: <https://www.amazon.com/Tempered-Organizer-Compatible-Nespresso-Vertuoline/dp/B08ZMQ5YN9> (Year: 2021).*

* cited by examiner

Primary Examiner — Mary Ann Calabrese
Assistant Examiner — Natalya M Rapundalo
(74) *Attorney, Agent, or Firm* — Bayramoglu Law Offices LLC

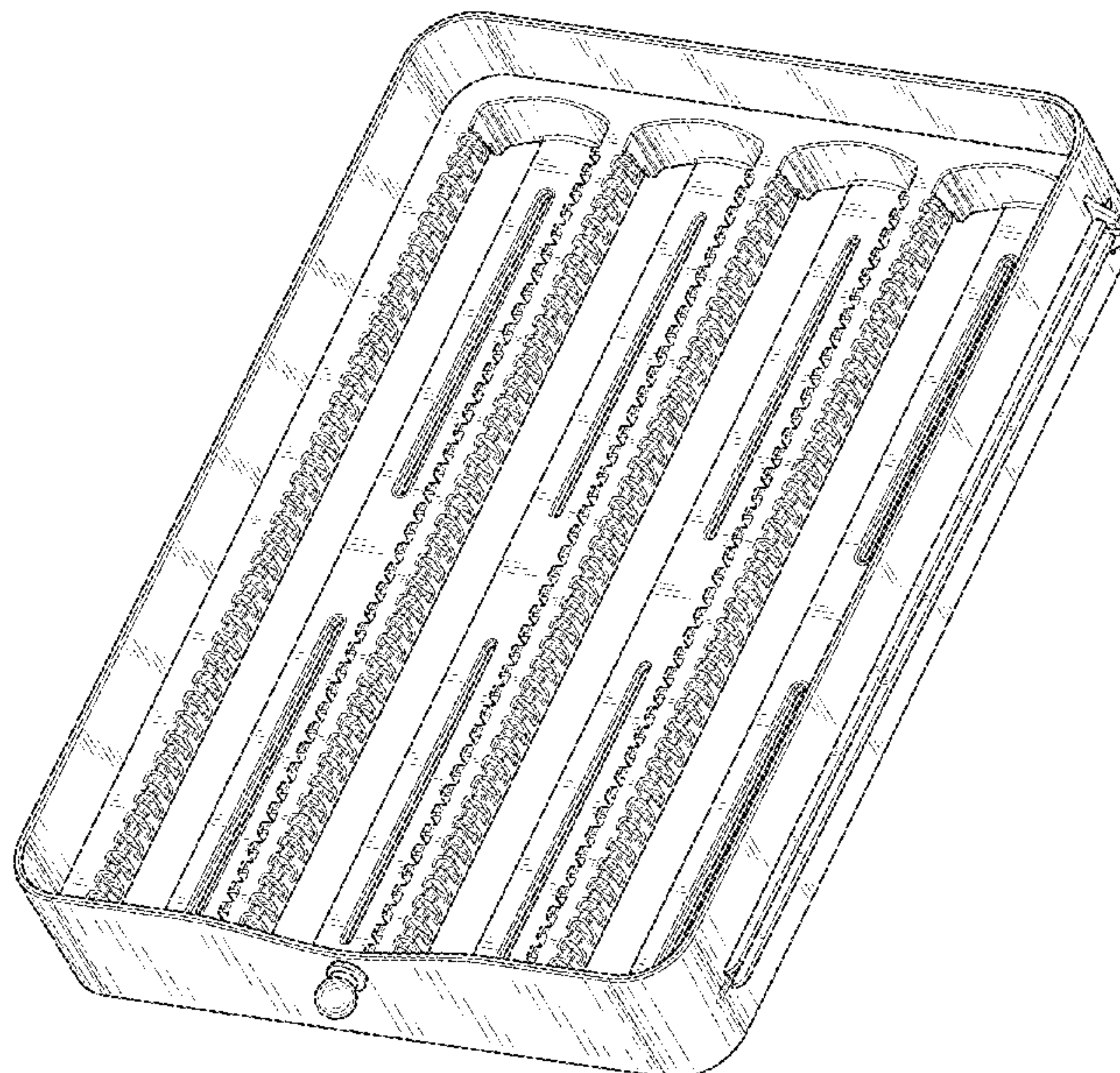
(57) **CLAIM**

The ornamental design for a drawer, as shown and described.

DESCRIPTION

FIG. 1 is a top, front and right perspective view of a drawer showing my new design;
FIG. 2 is a top view thereof;
FIG. 3 is a bottom view thereof;
FIG. 4 is a left side view thereof, a right side view being a mirror image of the left side view;
FIG. 5 is a rear view thereof;
FIG. 6 is a front view thereof; and,
FIG. 7 is a bottom, rear and left view thereof.

1 Claim, 7 Drawing Sheets



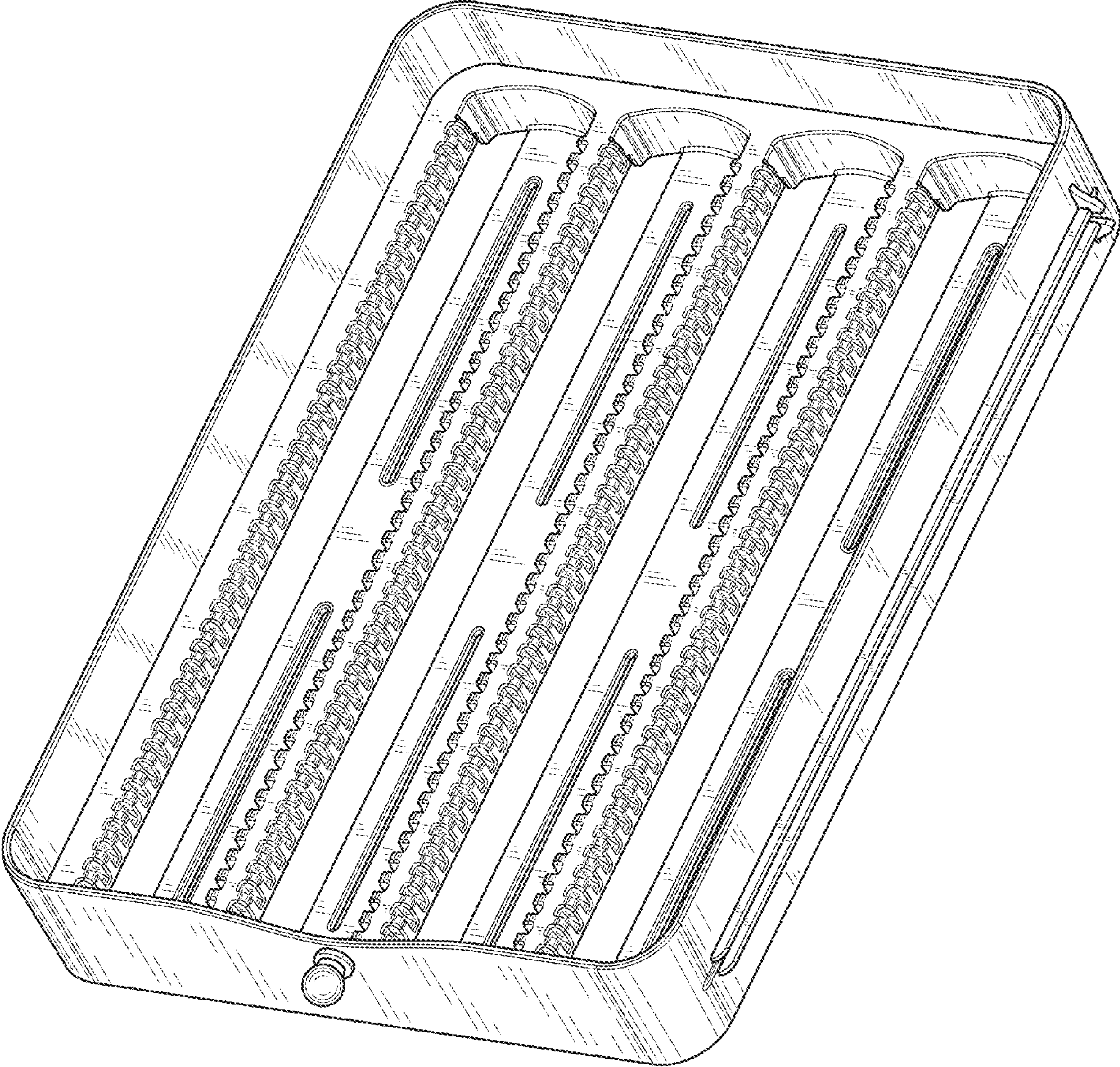


Fig. 1

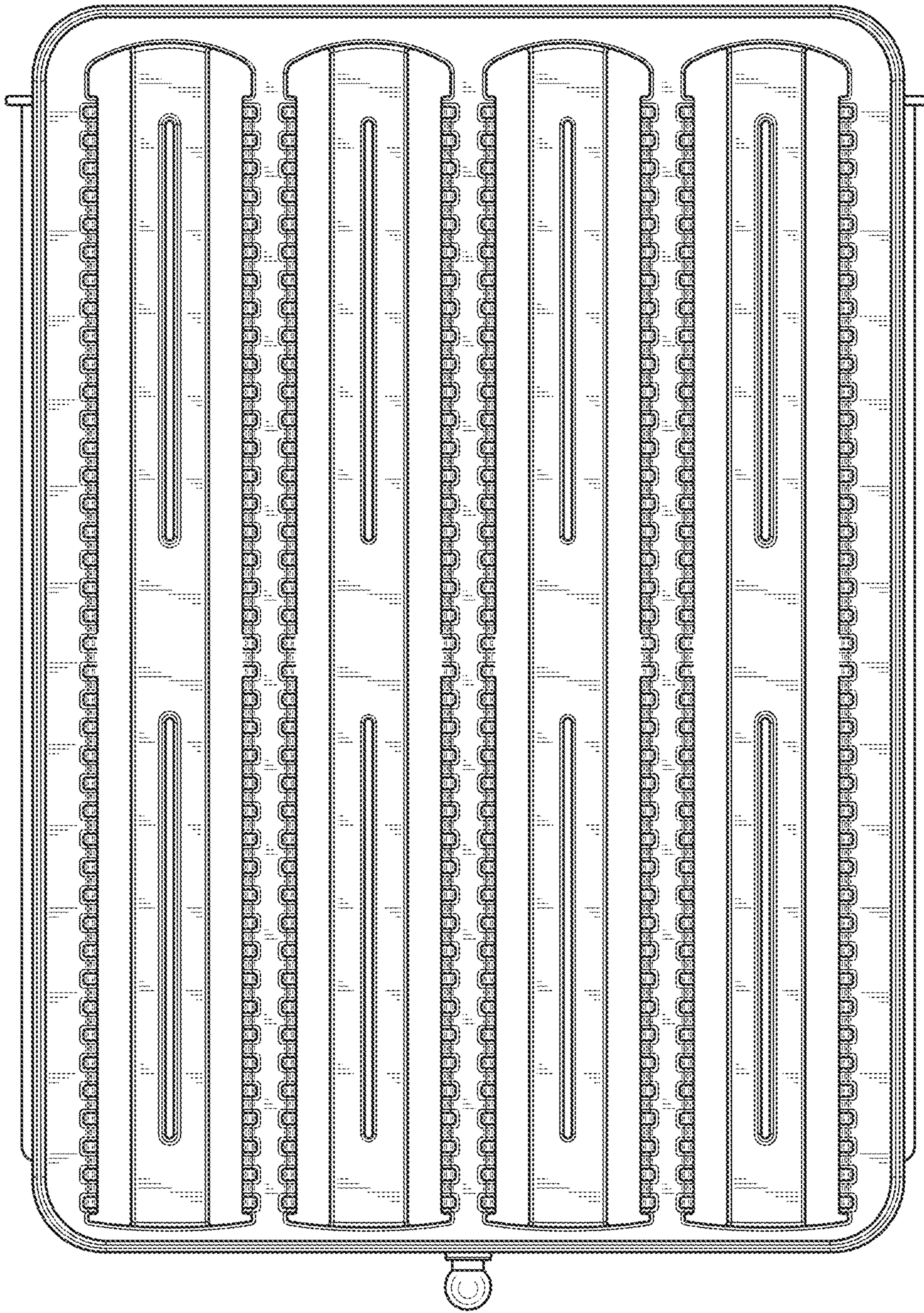


Fig. 2

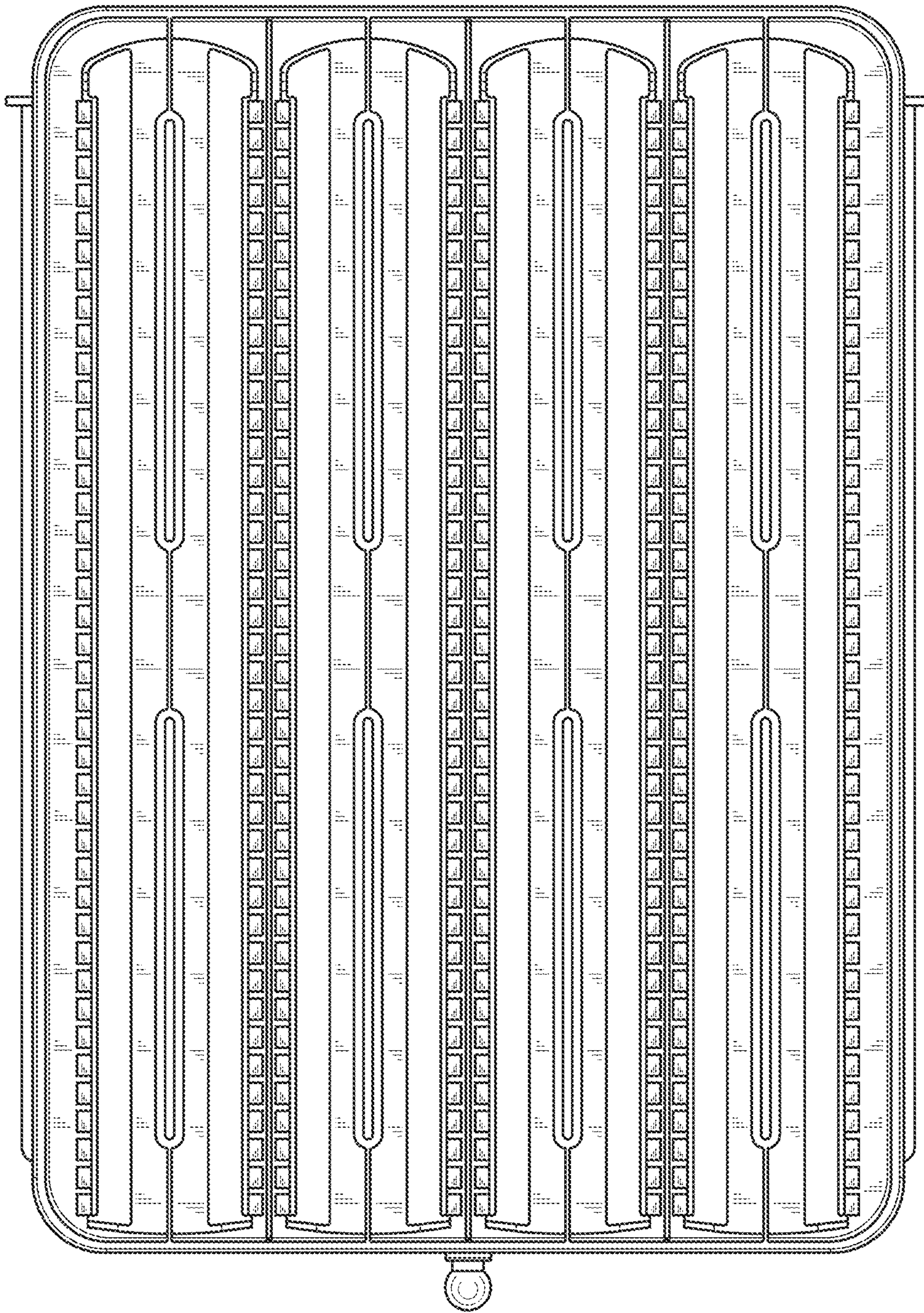


Fig. 3

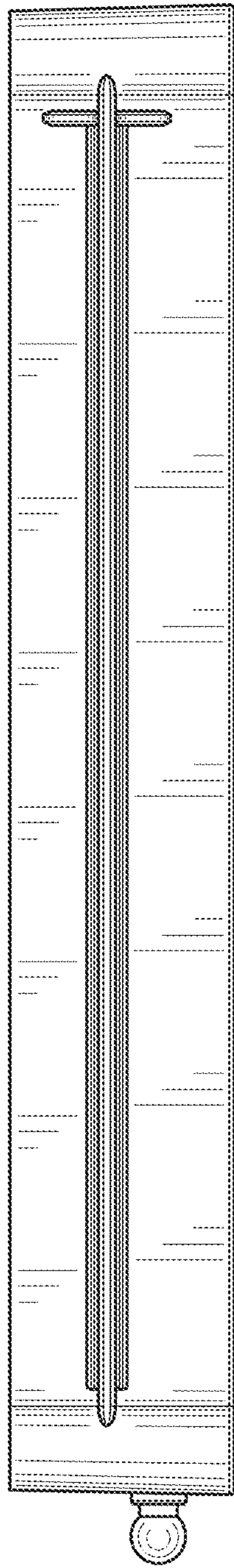


Fig. 4



Fig. 5

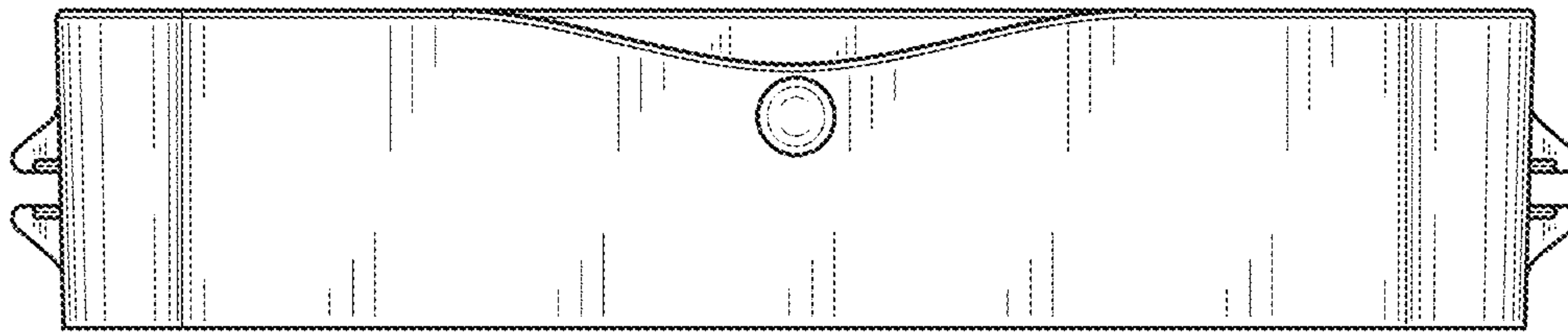


Fig. 6

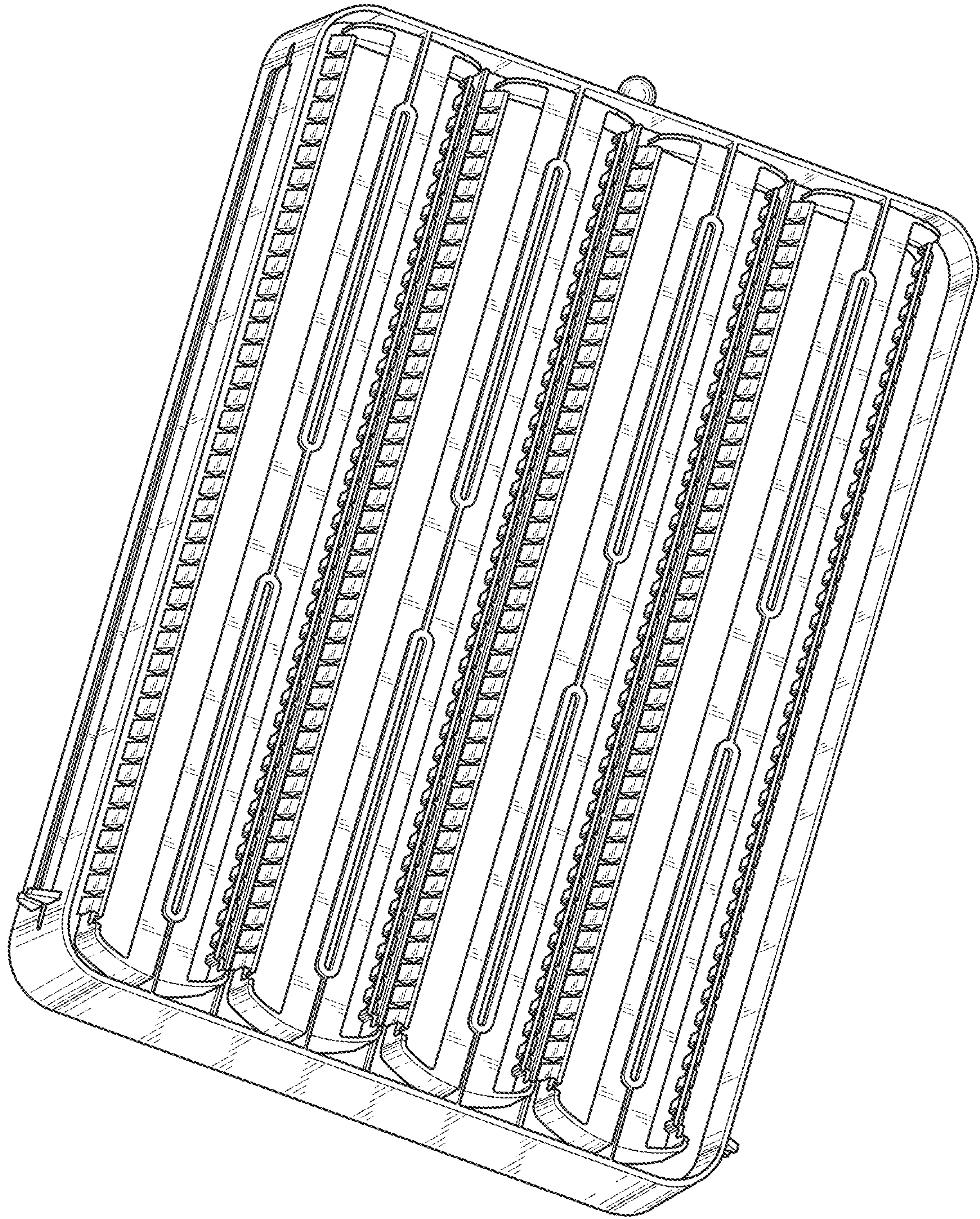


Fig. 7