



US00D981792S

(12) **United States Design Patent**
Zhong

(10) **Patent No.:** **US D981,792 S**

(45) **Date of Patent:** **** Mar. 28, 2023**

- (54) **STORAGE DRAWER**
- (71) Applicant: **XIAMEN LEGENDA ELECTRONIC TECHNOLOGY COMPANY LIMITED**, Xiamen (CN)
- (72) Inventor: **Wenda Zhong**, Xiamen (CN)
- (73) Assignee: **XIAMEN LEGENDA ELECTRONIC TECHNOLOGY COMPANY LIMITED**, Xiamen (CN)
- (**) Term: **15 Years**
- (21) Appl. No.: **29/777,377**
- (22) Filed: **Apr. 6, 2021**

D750,442 S *	3/2016	Tiemann	D7/600.1
D755,574 S *	5/2016	Lee	D7/600.1
D764,236 S *	8/2016	Hertaus	D7/600.1
D802,369 S *	11/2017	Hertaus	D7/600.1
D815,494 S *	4/2018	Lipper McCauley	D7/600.1
D831,430 S *	10/2018	Hertaus	D7/600.1
D920,750 S *	6/2021	Zhong	D7/703

(30) **Foreign Application Priority Data**

Feb. 10, 2021 (CN) 202130095800.7

(51) **LOC (14) Cl.** **07-99**

(52) **U.S. Cl.**
USPC **D7/600.1**

(58) **Field of Classification Search**
USPC ... D7/590, 600.1-600.4, 601, 602, 629, 630,
D7/632, 701-704, 708; D3/201, 273,
D3/297, 315; D6/705; D19/75
CPC A47B 88/00; A47B 88/40; A47J 31/44;
A47J 47/16
See application file for complete search history.

(56) **References Cited**

U.S. PATENT DOCUMENTS

D644,491 S *	9/2011	Snider	D7/600.1
D701,090 S *	3/2014	Sabounjian	D7/600.1
D713,692 S *	9/2014	Tsai	D7/600.1
D722,831 S *	2/2015	Tuang	D7/600.1
D743,748 S *	11/2015	Tiemann	D7/600.1

OTHER PUBLICATIONS

Everie Crystal Tempered Glass Top Organizer Drawer Holder, first available Mar. 22, 2021, Amazon, [online], [site visited Dec. 6, 2022]. Available from internet URL: <https://www.amazon.com/Tempered-Organizer-Compatible-Nespresso-Vertuoline/dp/B08ZMQ5YN9> (Year: 2021).*

* cited by examiner

Primary Examiner — Mary Ann Calabrese
Assistant Examiner — Natalya M Rapundalo

(74) *Attorney, Agent, or Firm* — Bayramoglu Law Offices LLC

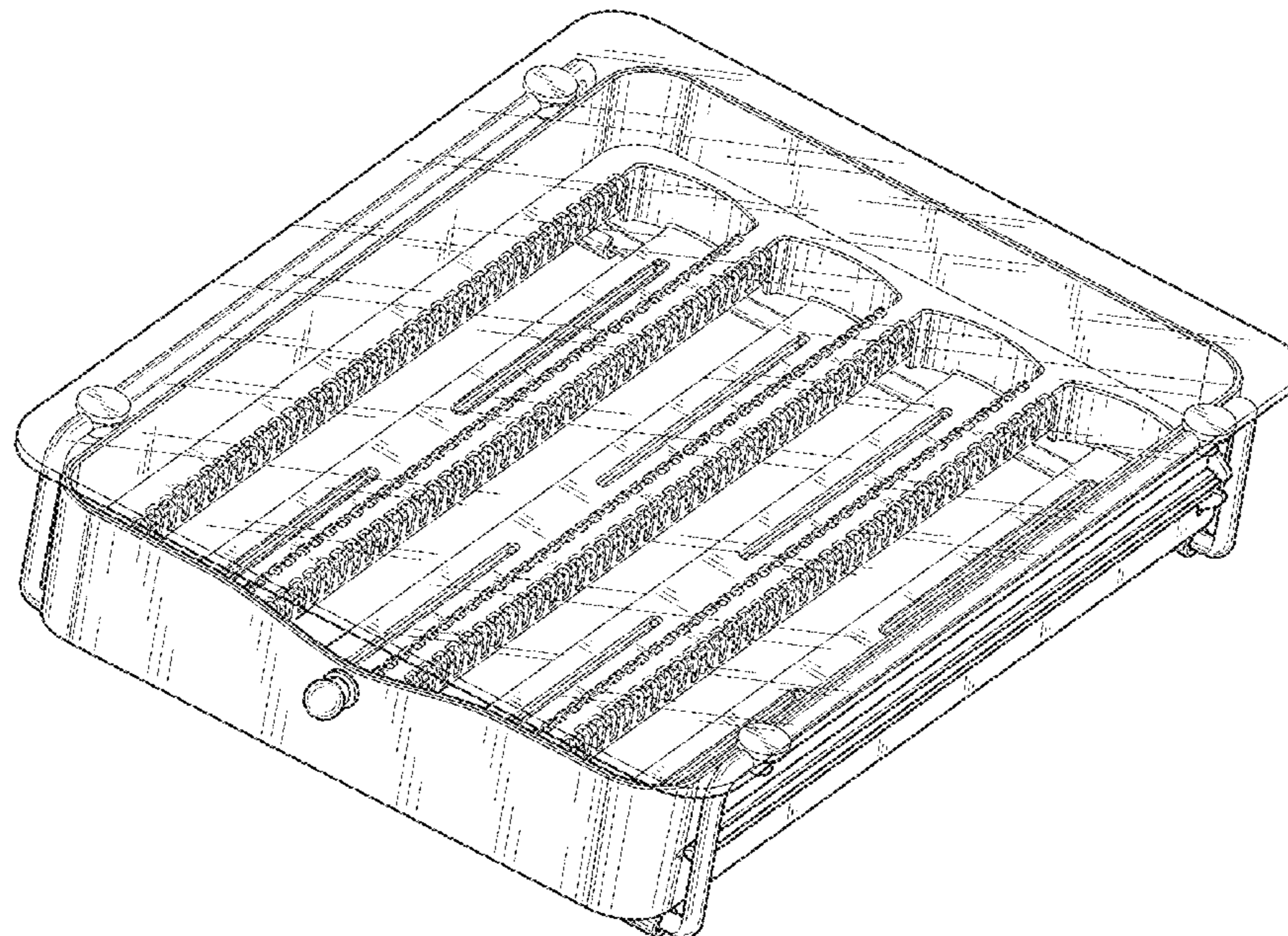
(57) **CLAIM**

The ornamental design for a storage drawer, as shown and described.

DESCRIPTION

FIG. 1 is a top perspective view of a storage drawer showing my new design;
FIG. 2 is a front view thereof;
FIG. 3 is a rear view thereof;
FIG. 4 is a right side view thereof, a left side view being a mirror image of the right side view;
FIG. 5 is a top side view thereof;
FIG. 6 is a bottom view thereof; and,
FIG. 7 is a bottom perspective view thereof.

1 Claim, 7 Drawing Sheets



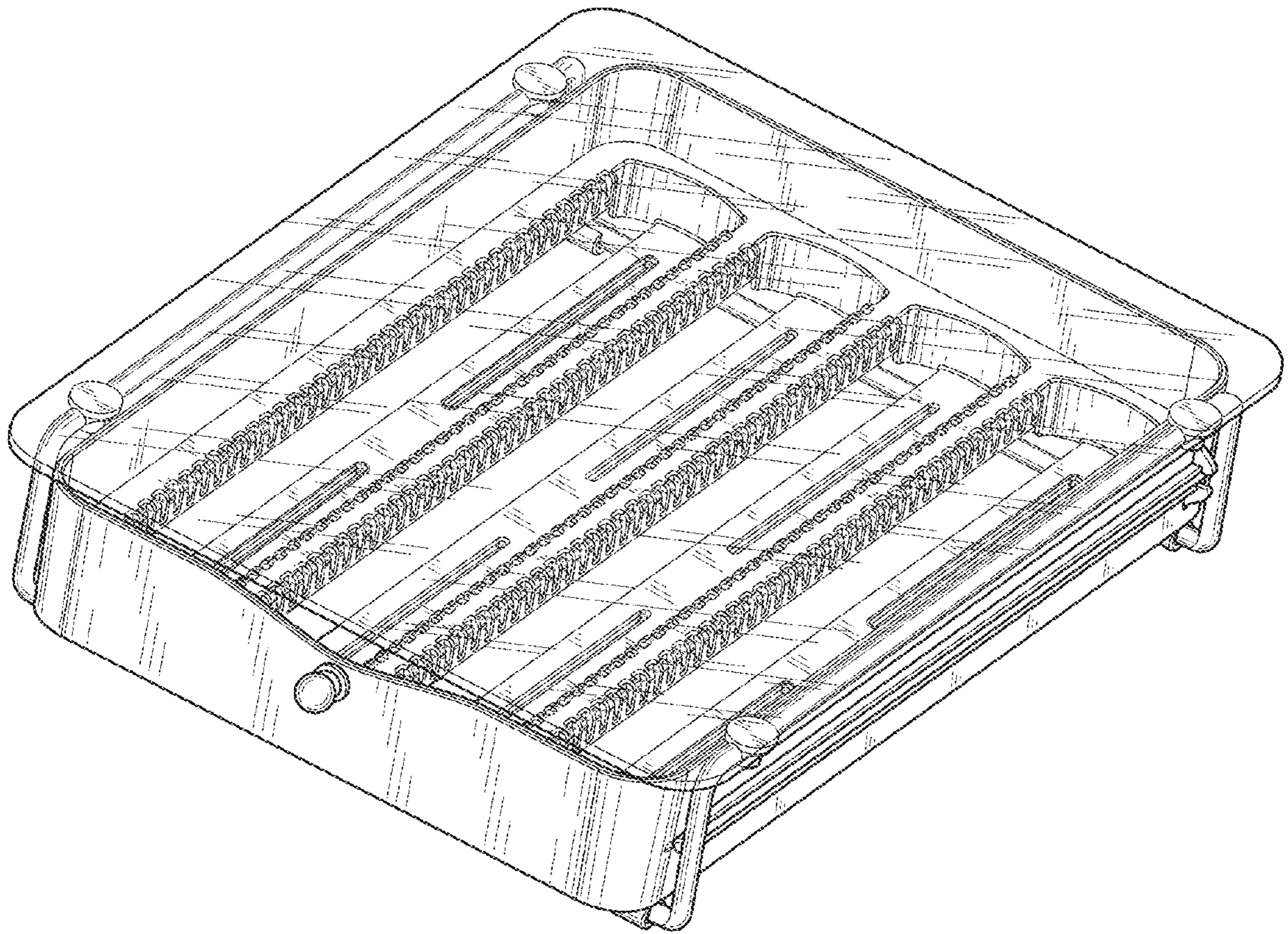


Fig. 1

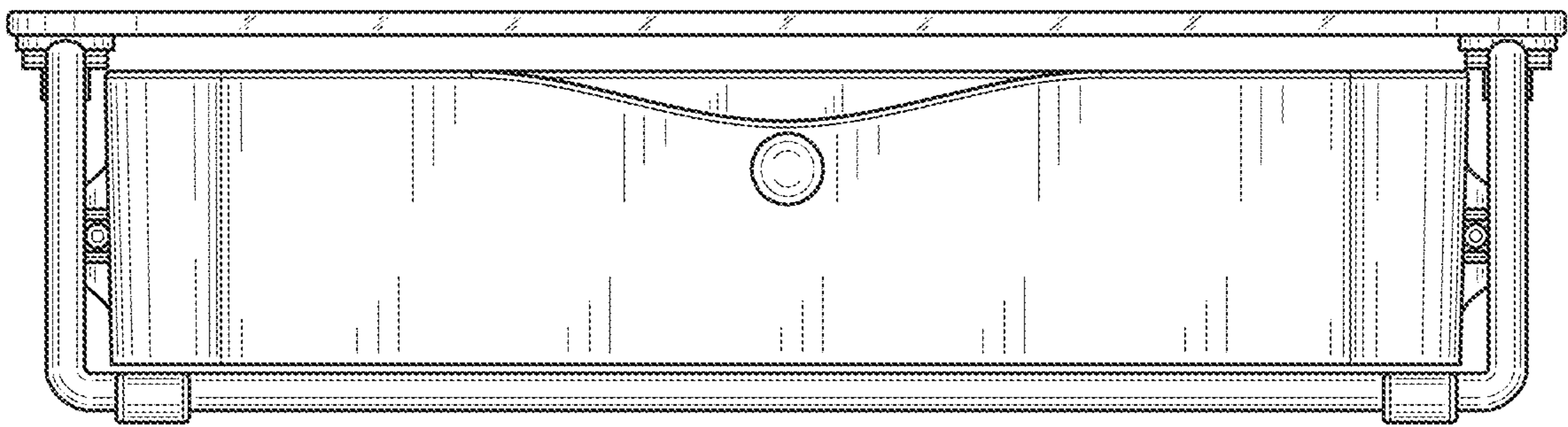


Fig. 2

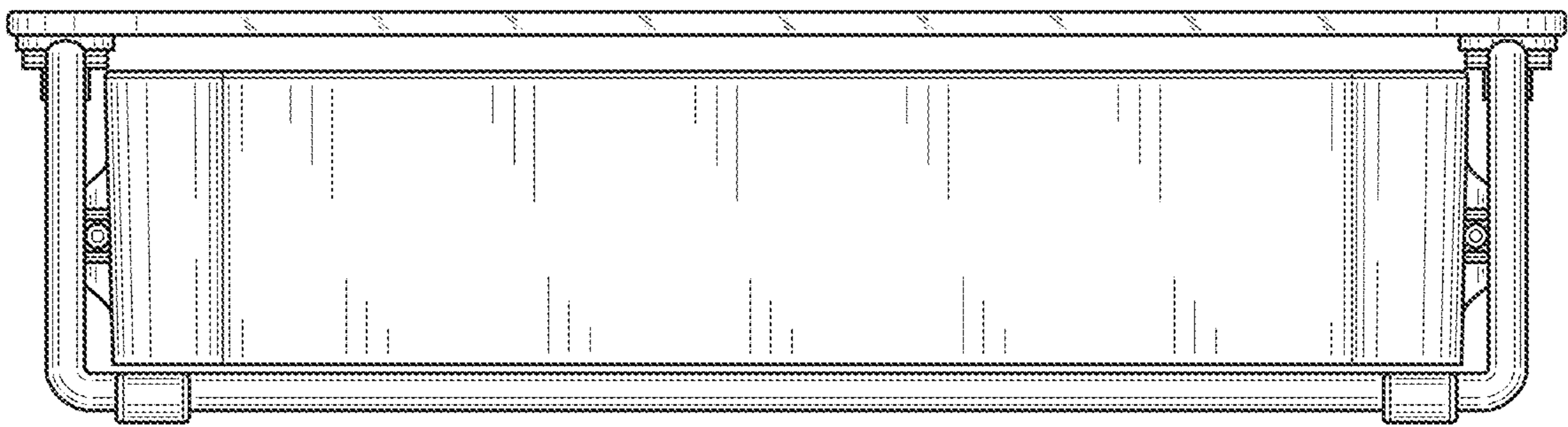


Fig. 3

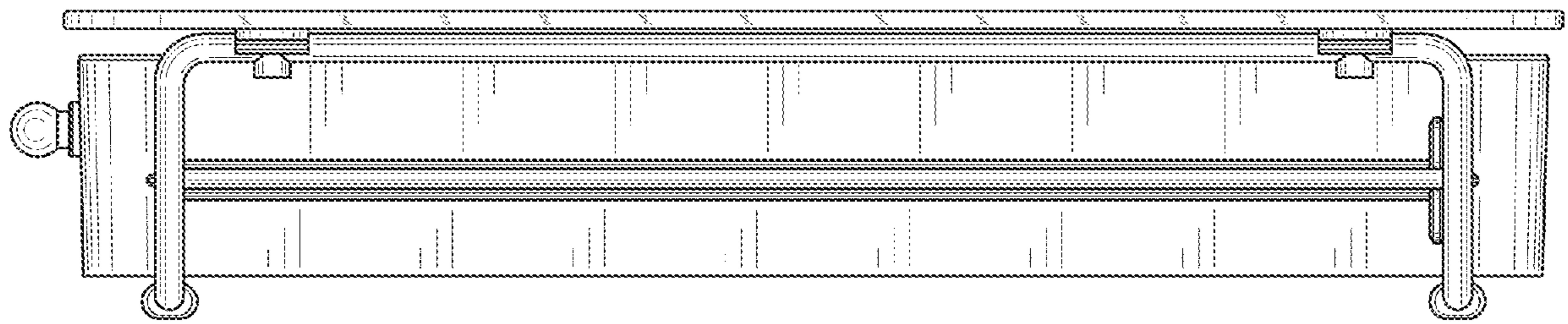


Fig. 4

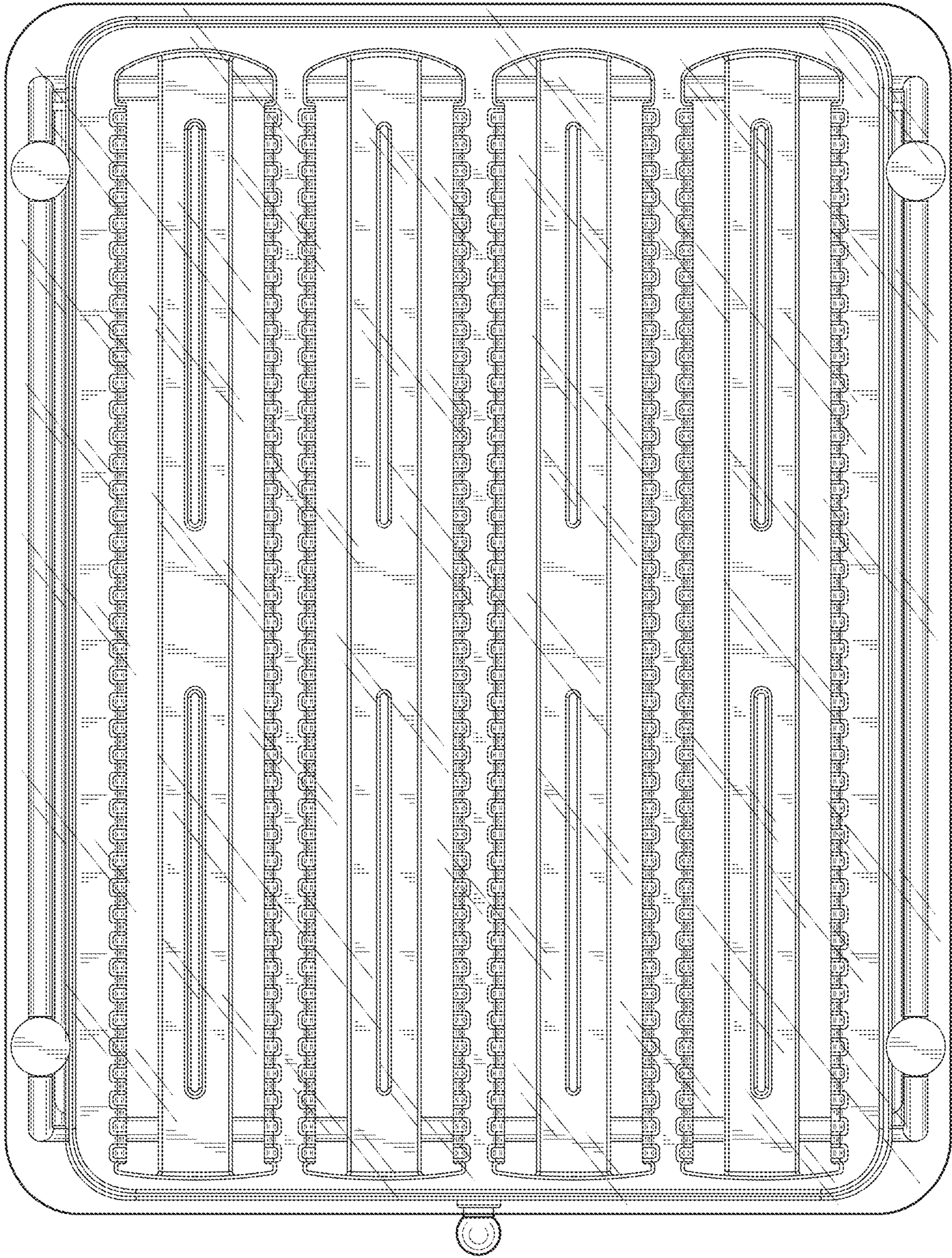


Fig. 5

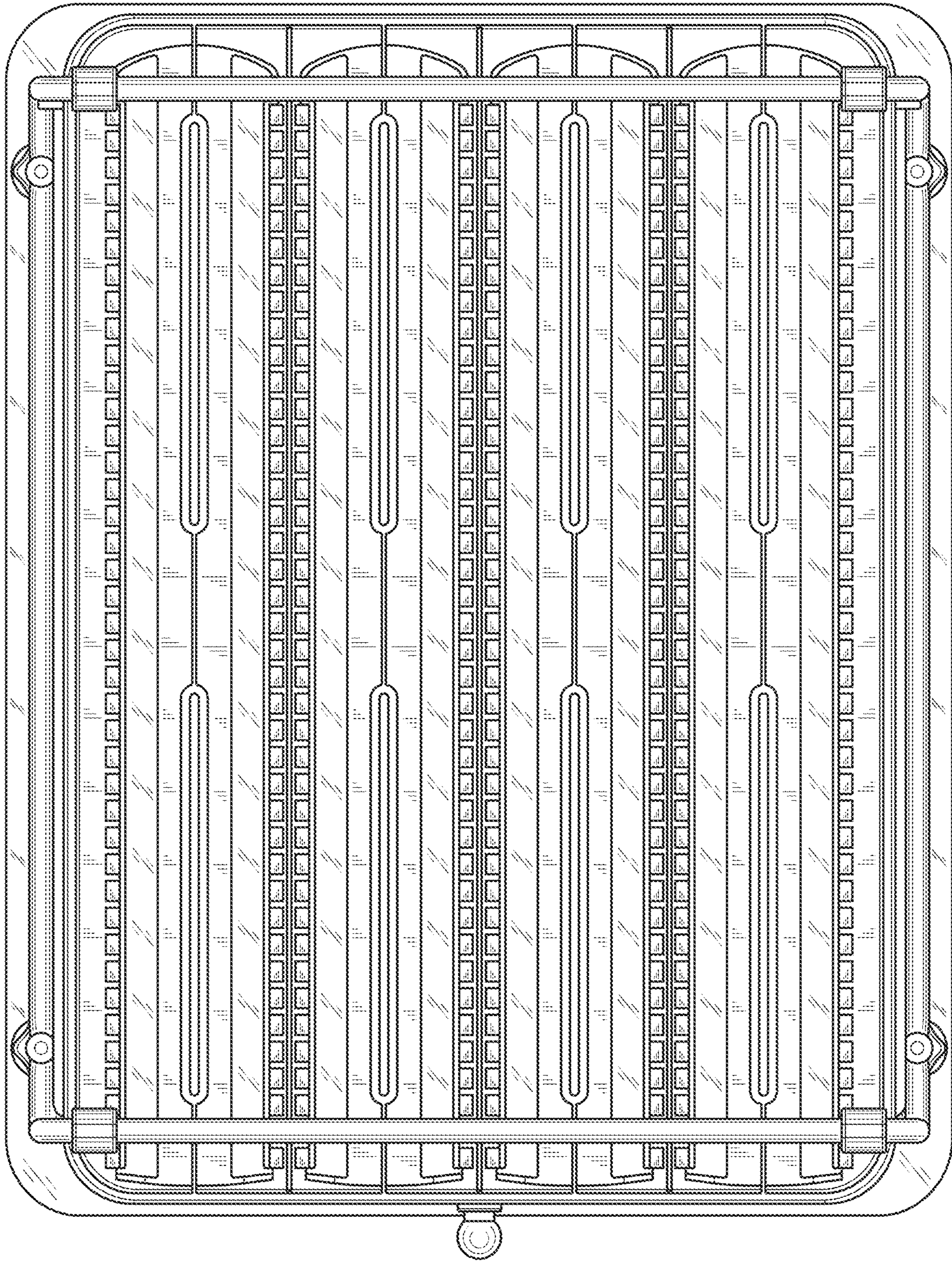


Fig. 6

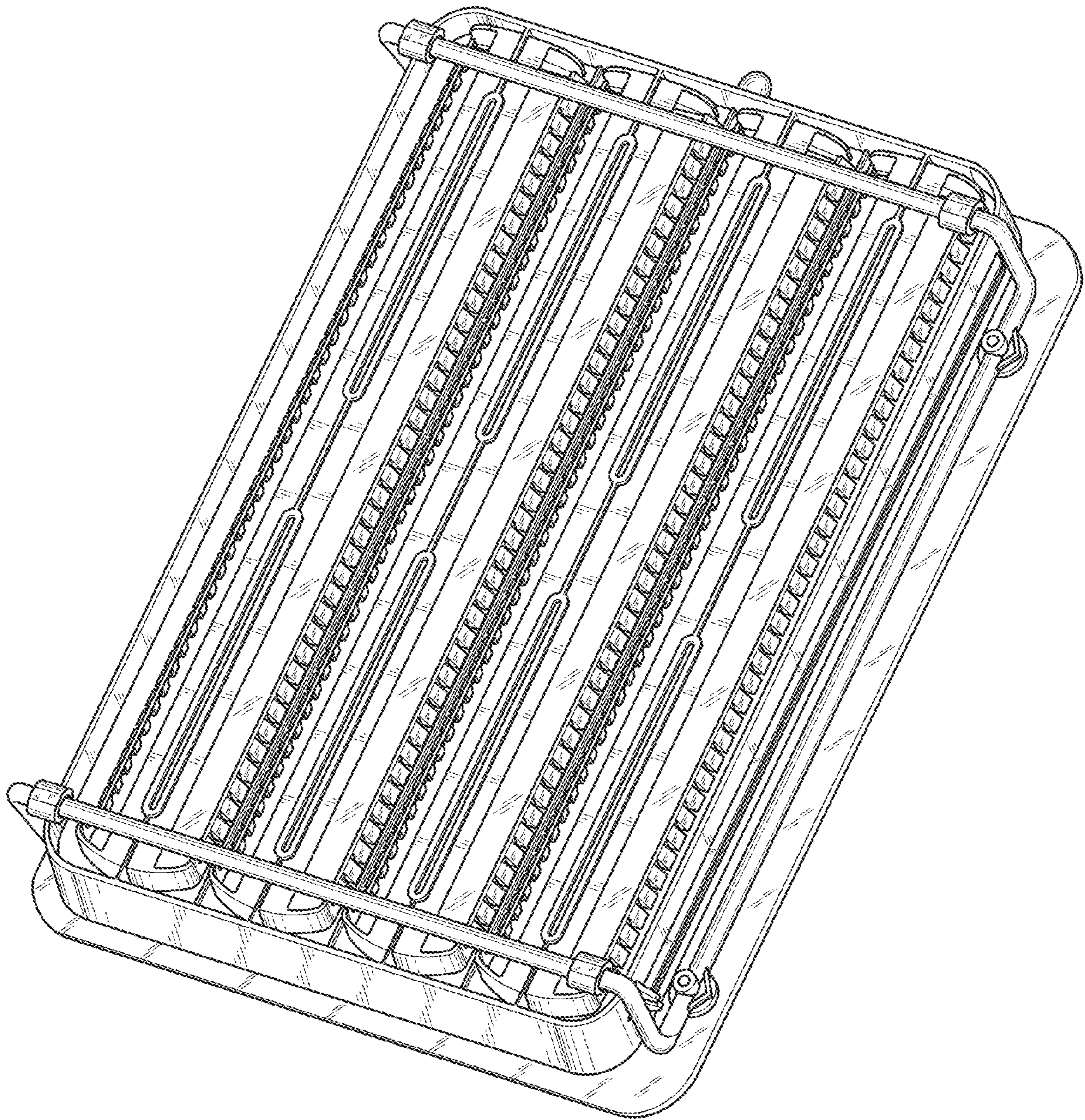


Fig. 7